

Oil Filled Electric Heater Installation & Safety Information

Installation Guide

Contents

Intended Use & safety Information **Page 2**

General Information **Page 2**

Technical Data **Page 2**

Fitting the Feet **Page 3**

Heater Controls **Page 3**

Operating Instructions **Page 4/5**

ERP Requirements **Page 6**

Your Guarantee **Page 7**

Aftercare **Page 7**

Recycling and Disposal **Page 7**

Contact us **Page 7**

This product is only suitable for well insulated spaces or occasional use.

WARNING: READ THIS OWNER'S MANUAL CAREFULLY BEFORE USE



Warning 

A minimum distance of 900mm must be kept from curtains and any other flammable materials like clothes or furniture.

Intended Use & safety Information

Please read carefully...

This product is intended for use in domestic or commercial environments such as homes, shops, hotels etc.

This product is not intended for use in a corrosive or explosive atmosphere (dust, vapor or gas)

This appliance can be used by children aged from 8 years and above and persons with reduced physical, sensory or mental capabilities or lack of experience and knowledge if they have been given supervision or instruction concerning use of the appliance in a safe way and understand the hazards involved. Children shall not play with the appliance. Cleaning and user maintenance shall not be made by children without supervision.

Children ages from 3 years and less than 8 years shall only switch on/off the appliance provided it is placed or installed in its intended normal operating position and they have been given supervision or instruction concerning use of the appliance in a safe way and understand the hazards involved. Children aged from 3 years and less than 8 years shall not plug in, regulate and clean the appliance or perform user maintenance.

Children of less than 3 years should be kept away unless continuously supervised.

CAUTION: The surface of this product can become very hot and cause burns, please pay attention when children or vulnerable people are around the heater.

This product should be installed by a qualified installer in accordance with all applicable local regulations and connected to an electrical output in good condition.

Extension leads or plug adapters should not be used in order to supply power to this product.

WARNING: In order to avoid overheating, do not cover the heater.

The supply cord cannot be replaced. If the cord is damaged the appliance should be removed and disposed of.

This product is not suitable for use in bathrooms.

WARNING: Do not use this heater in small rooms when they are occupied by persons not capable of leaving the room on their own, only use the device if those individuals are under constant supervision.

Only connect the appliance to single phase AC supply of the voltage specified on the rating plate.

Do not run cord under carpeting and do not cover cord with rugs, runners or the like. Place the heater away from traffic areas and where it will not be tripped over.

This heater is hot when in use, to avoid burns and personal injury, do not let bare skin touch the hot surfaces. If provided, use handles when moving the product.

This heater is filled with a precise quantity of special oil, if any leaks are found turn off the heater immediately and contact the manufacturer.

Always unplug heater when not in use unless the heater is provided with a timer.

The heater should only be connected to a power outlet in good condition.

General Information

Do not throw away packaging until you have located and confirmed that you have all included parts and the product is in good condition.

Check the device for damage before installation and on a regular basis.




If any damaged is found on the appliance or power cord it should not be used.

Keep the power cord away from any hot surfaces of the radiator.

This Heater has no serviceable parts, never dismantle the heter as this will invalidate the warranty and could lead to injury.

Please read the full manual before installing.

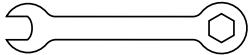
Technical Data:

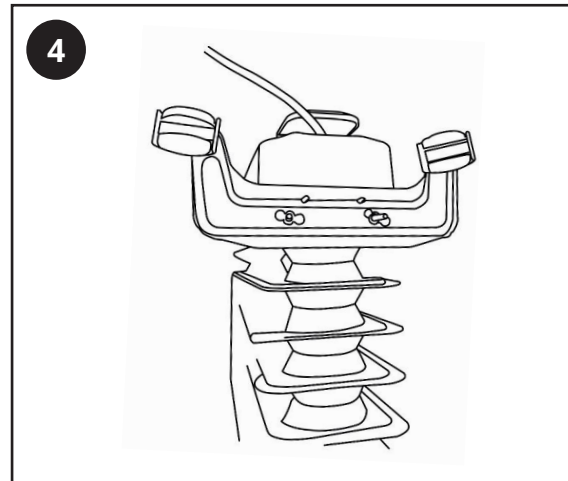
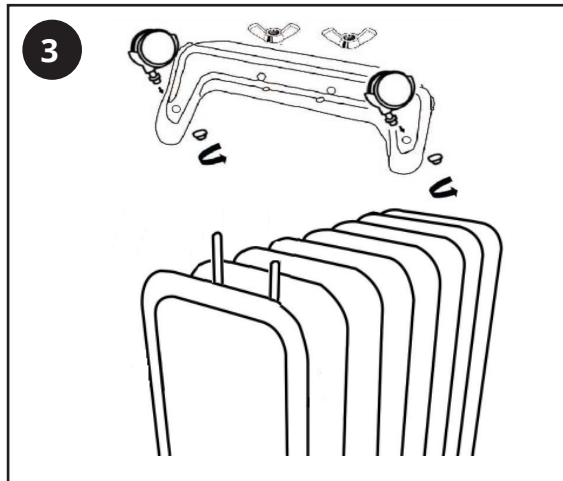
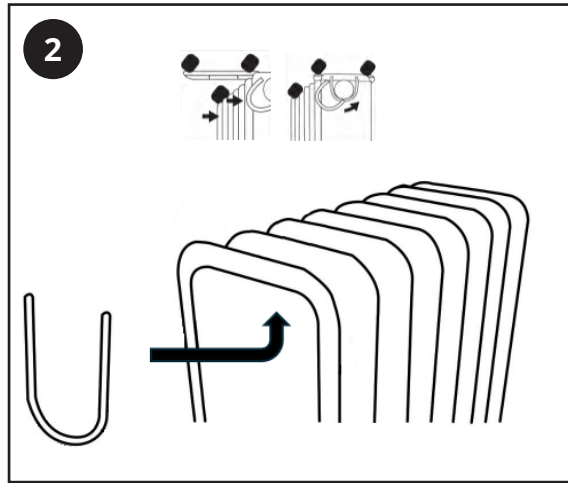
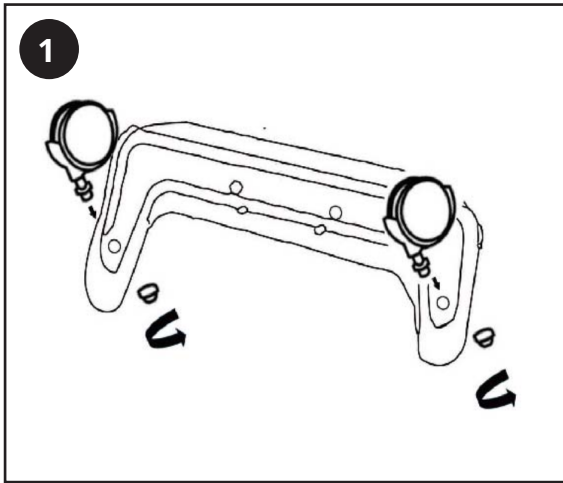
fans	 LOW	 MID	 HIGH	 AUX	ECO Mode
9 fans	800W	1200W	2000W	400W	800W or 2000W
11 fans	1000W	1500W	2500W	300W	1000W or 2500W
Voltage	230VAC				
Hz	50				
Electrical Class	I				

Fitting the Feet

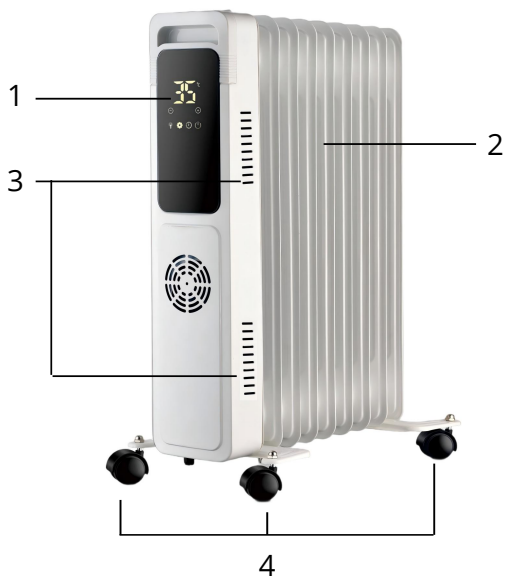
The heater is packaged with the feet unattached. You must attach them before operating the heater.

WARNING: Do not operate without feet attached. Only operate the heater in the upright position.

Tools required: 



Heater Controls:



1. LED control panel
2. Radiant fins
3. Ventilation slots
4. Castors

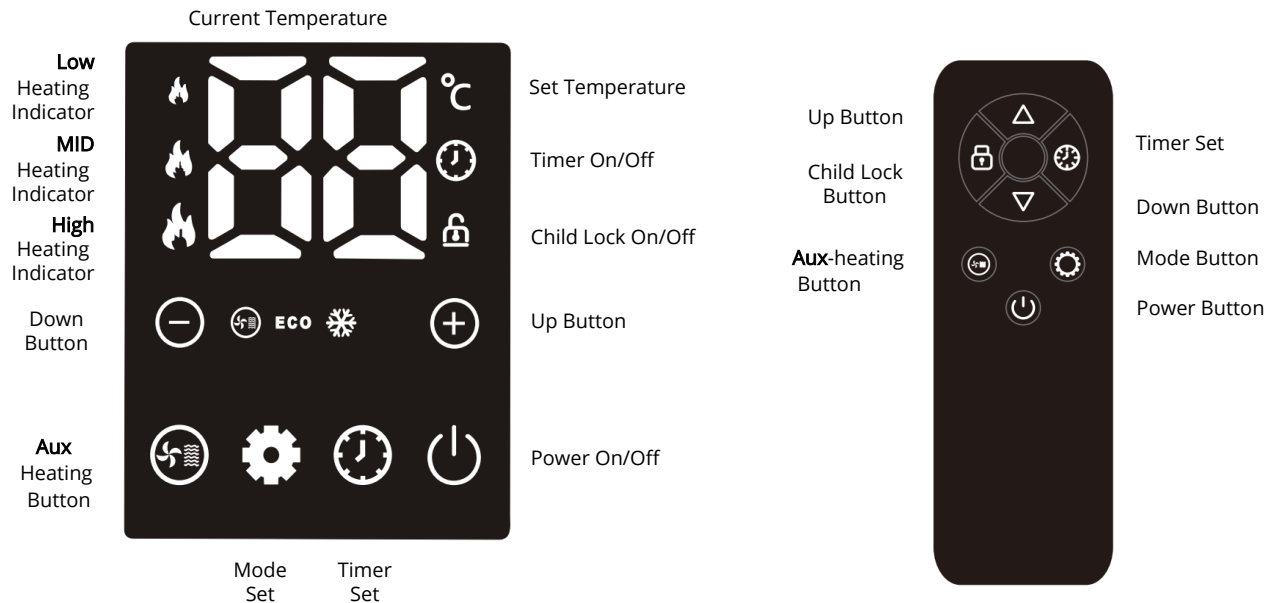
Operating Instructions:

Before using the heater, make sure that it is on a flat and stable surface.




The heater can be operated from the control panel on the unit, or with the supplied remote control.

The buttons on both the control panel and remote operate the same functions. When using the remote control, ensure it contains 2 x "AAA" size batteries. When using the remote control, always point at the control panel of the heater with a maximum distance of 2 meters.



Control Panel & Remote Control Functions



Heating Modes

Once the heater is plugged in, the heater power indicator light will show and the heater will enter into standby mode. To initiate the heating, press the Power button , select the different heating modes by pressing the MODE button , the heating icon  shows to indicating that the heater is functioning.

Eco mode:

The Eco mode is the energy saving mode, In this mode, the heater is set at 25°C and operates at a setting program which consuming less electricity, meanwhile the heating indicator symbol will be changed from the Low  power symbol to the high  power symbol.


(Note: Upon activation, the Heater will resume its previous mode from the time it was last powered off, in order to facilitate future usage).

Comfort mode:

In Comfort mode, the heater works with different power setting:

LOW : 

In this mode, the heater works at a **LOW** power setting, temperature rang from 5°C to 35°C


MID : 

In this mode, the heater works at a **MID** power setting, temperature rang from 5°C to 35°C

HIGH : 

In this mode, the heater works at a **HIGH** power setting, temperature rang from 5°C to 35°C

Aux-heating function:

The heater is install with a PTC heating element, this is an Aux-heating function for the model with turbo fan, when in comfort mode, by press the symbol , the fan will output Aux heat , which will warm the room faster, this function can also be used as an individually heating settings, and it will invalid in ECO or Anti-frost modes.

Anti-frost mode:

Anti-frost mode is an automatic setting designed to prevent frosting. In this mode, the heater starts operating when the ambient temperature drops below 5°C. It will stop heating once the ambient temperature rises above 7°C.

Temperature setting:

To set the temperature while in Comfort mode or Aux-heating mode, press the + or - buttons. The temperature can be set within a range of 5°C to 35°C, while in anti-frost and ECO mode, the temperature cannot be adjusted.

Timer setting:

To set the timer, press the Timer button, once for 1hr, twice for 2hrs etc. The timer can be set from 1 to 24 hours.

After setting the time, the digits will flash, and the screen will revert back to its original mode, the control panel will display the time icon indicating that the timer has been set.

If the timer is set in standby mode, the heater will turn on after the set time.

Setting up the child lock:


To avoid children playing with the heater, the unit includes a child lock function.

Press and hold the + and - buttons on the control panel or the padlock button if you are using the remote control. The child lock icon appears on the display. At this moment the control panel will be locked preventing unauthorized adjustments. (Please note the remote control can still be used, except for the light function.)

To cancel the child lock, press and hold down the same two buttons on the control panel or the lock button on the remote control until the icon disappears from the display. All functions will now be enabled.

Wakeup the display Screen:

The screen will be off automatically if there is no operation, step as following:

1. Screen will be half brightness if no operation for 1 minute.
2. Screen will turn off if no operation for 5 minutes.
When in full off brightness, only the Power  light will be on.

Pressing any button on the screen will wake up the display.

Switching off the heater:

To shut down the heater, press the POWER  button to enter standby mode.

Let the heater cool down before unplugging it or restarting it.

To switch off the heater completely, unplug the supply cord from the power supply.

Note: The heater will take some time to cool down after the power is shut off. Always wait until it has cooled before moving it.

ERP Requirements

Model	9 Fins	11 Fins
Heat output		
Nominal heat output (Pnom/kw)	2.40	2.80
Minimum heat output (indicative) (Pmin/Kw)	0.40	0.30
Maximum continuous heat output (Pmax.c/kw)	2.40	2.80
Power consumption		
In off mode (Po/W)	0.00	0.00
In standby mode (Psm/W)	0.43	0.43
In idle mode (Pidle/W)	0.43	0.43
In network standby mode (Pnsm/W)	0.00	0.00
Standby mode with display information or status	Yes	
Seasonal space heater energy efficiency in active mode	91.5%	

Control options (multiple selections possible)	
Single stage heat output and no room temperature control	No
Two or more manual stages, no room temperature control	No
With mechanic thermostat room temperature control	No
With electronic room temperature control	Yes
Electronic room temperature control plus day timer	No
Electronic room temperature control plus week timer	No
Other control (multiple selections possible)	
Room temperature control, with presence detection	No
Room temperature control, with open window detection	No
With distance control option	No
With adaptive start control	No
With working time limitation	Yes
With black bulb sensor	No
With self learning function	No
With control accuracy	No



**Do not Cover
Risk of overheating**



Your Guarantee

To find the specific guarantee for your products please refer to the website.

The guarantee starts from the date of purchase.

The guarantee covers you against issues caused as a result of manufacturing related issues, it does not apply to issues that are found to be a result of poor installation.

Labour costs for installation of the products are not covered under this warranty.

Aftercare

Clean any marks with a soft, dry or damp cloth, for stubborn stains please clean with mild soapy water and dry with a soft cloth. DO NOT use abrasive or acidic cleaners.

If you are unsure, please contact us first.

Recycling and Disposal

The **Waste Electrical and Electronic Equipment Directive (WEEE Directive)** is the **European Community directive 2012/19/EU on Waste Electrical and Electronic Equipment (WEEE)** which, together with the **RoHS Directive 2002/95/EC**, became European Law in February 2003.

The WEEE directive aims to reduce the amount of electrical equipment being produced and to encourage everyone to reuse, recycle and recover it.

In support of these guidelines and for environmental safety, do not dispose of any electrical equipment including those marked with the below symbols.

When replacing old electrical devices with new ones the retailer is legally obligated to take back your old items for disposal free of charge. You can also recycle your old electrical devices free of charge at your local recycling center. Please contact your local council for more information.

Please recycle the packaging in accordance with your local government regulations on waste handling and follow the same advice at the end of the products life.

Product - Steel.

Packaging - Cardboard, plastic.

Contact us

Unit 1 & 2 Dawson Ct
Burnley
Lancashire
BB11 5UB

