

# Dual fuel heating kit

## Installation Guide

### **Contents**

Safety Information **Page - 2**

Installation **Page - 2/3**

Warranty Information **Page - 3**

Recycling & Disposal **Page - 3**

Contact us **Page - 3**

# Safety Information

## *Please read carefully...*

- ✓ Check that all parts are present in the box and that they are undamaged.
- ✗ DO NOT attempt to modify this product in any way.
- ✓ If you are unsure how to install this product, please consult a qualified installer or contact us directly.
- ✓ Please note that this instruction is intended to cover the connection of the dual fuel kit to a radiator, for installation advice on radiators / radiator valves and heating element connection please consult the literature provided with these products.

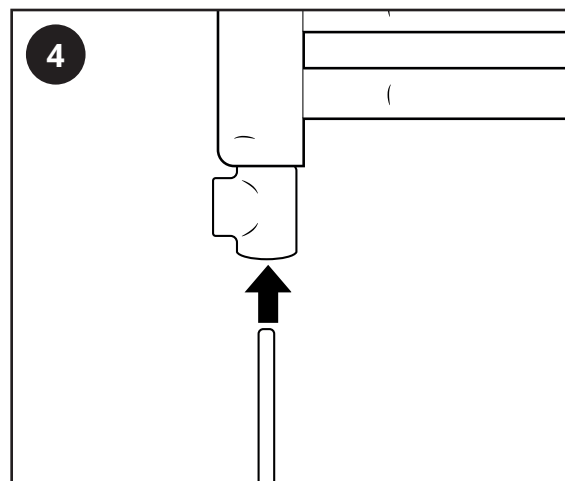
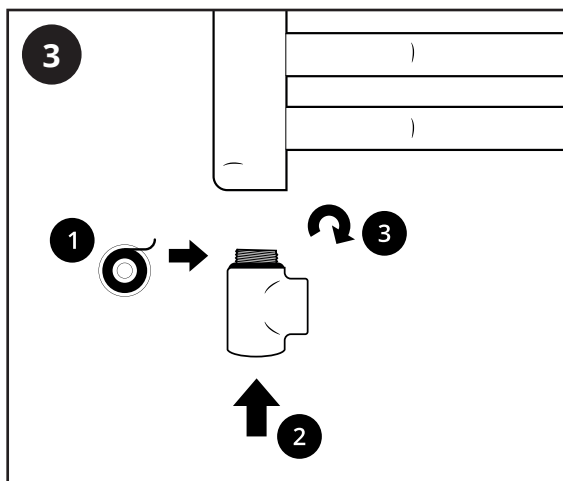
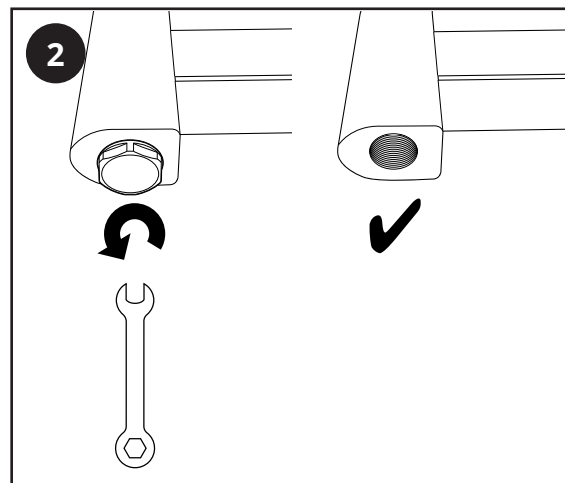
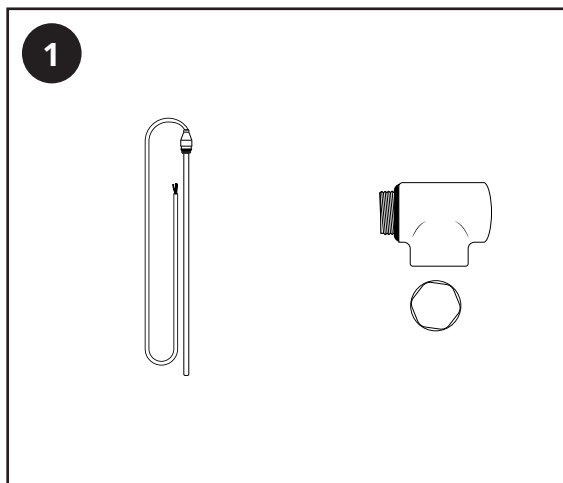
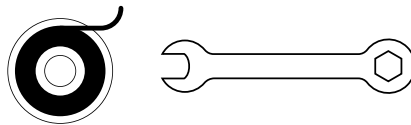
# Installation

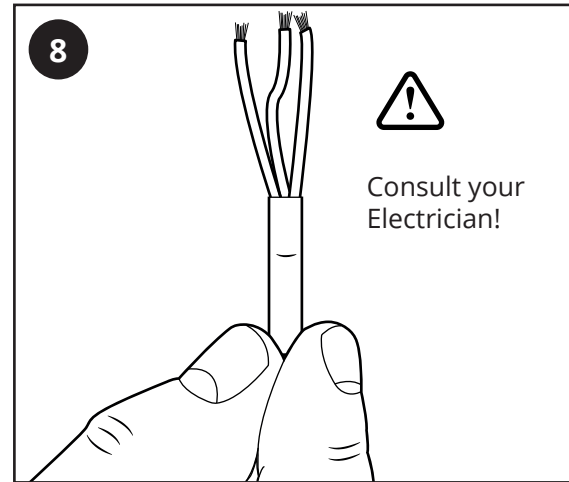
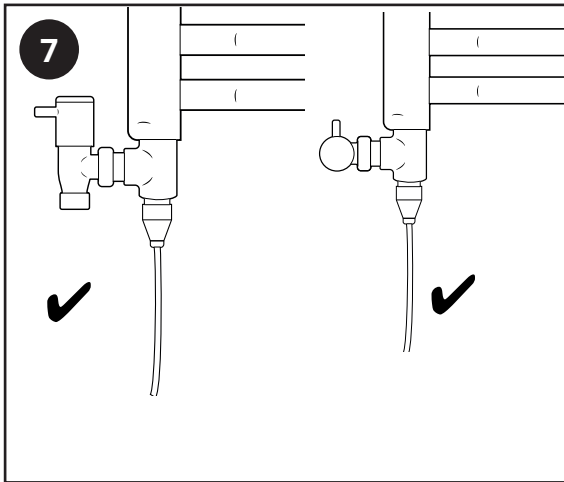
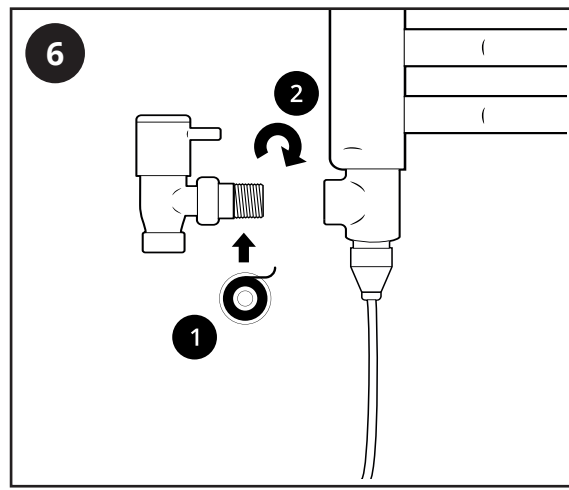
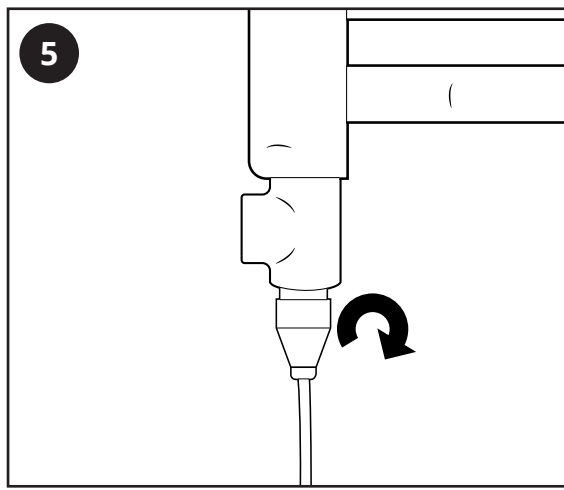
## **Parts needed:**

Dual Fuel heating kit

## **Tools required for installing:**

1. PTFE tape.
2. Spanner / adjustable





## Warranty Information

- *This product is covered by a 2 year guarantee.*
- *The guarantee starts from the date of purchase.*
- *The guarantee covers you against issues caused as a result of manufacturing related issues, it does not apply to issues that are found to be a result of poor installation.*
- *Labour costs for installation of the product are not covered under this warranty.*

## Aftercare

The Waste Electrical and Electronic Equipment Directive (WEEE Directive) is the European Community directive 2012/19/EU on Waste Electrical and Electronic Equipment (WEEE) which, together with the RoHS Directive 2002/95/EC, became European Law in February 2003. The WEEE directive aims to reduce the amount of electrical equipment being produced and to encourage everyone to reuse, recycle and recover it. In support of these guidelines and for environmental safety, do not dispose of any electrical equipment including those marked with the below symbols. When replacing old electrical devices with new ones the retailer is legally obligated to take back your old items for disposal free of charge. You can also recycle your old electrical devices free of charge at your local recycling centre. Please contact your local council for more information.

## Recycling & Disposal

Please recycle / dispose of this product in accordance with your local council / government guidelines.

## Contact Us

LDG  
Unit 1&2  
Burnley  
BB11 5UG