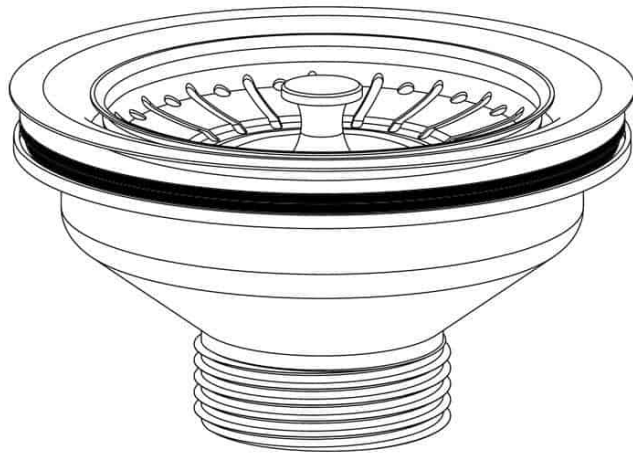



Strainer Kitchen Waste

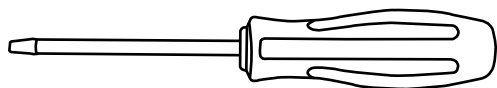


 Style may vary

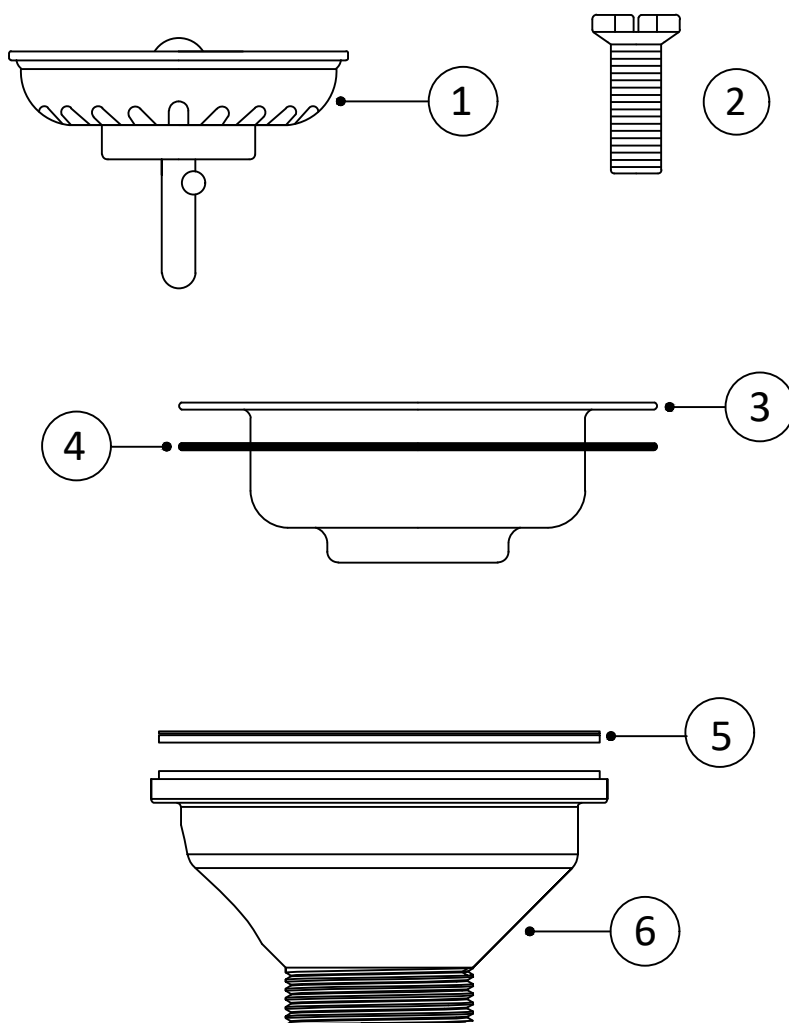
Installation Guide

Installation

Tools required for installing:



Parts included:

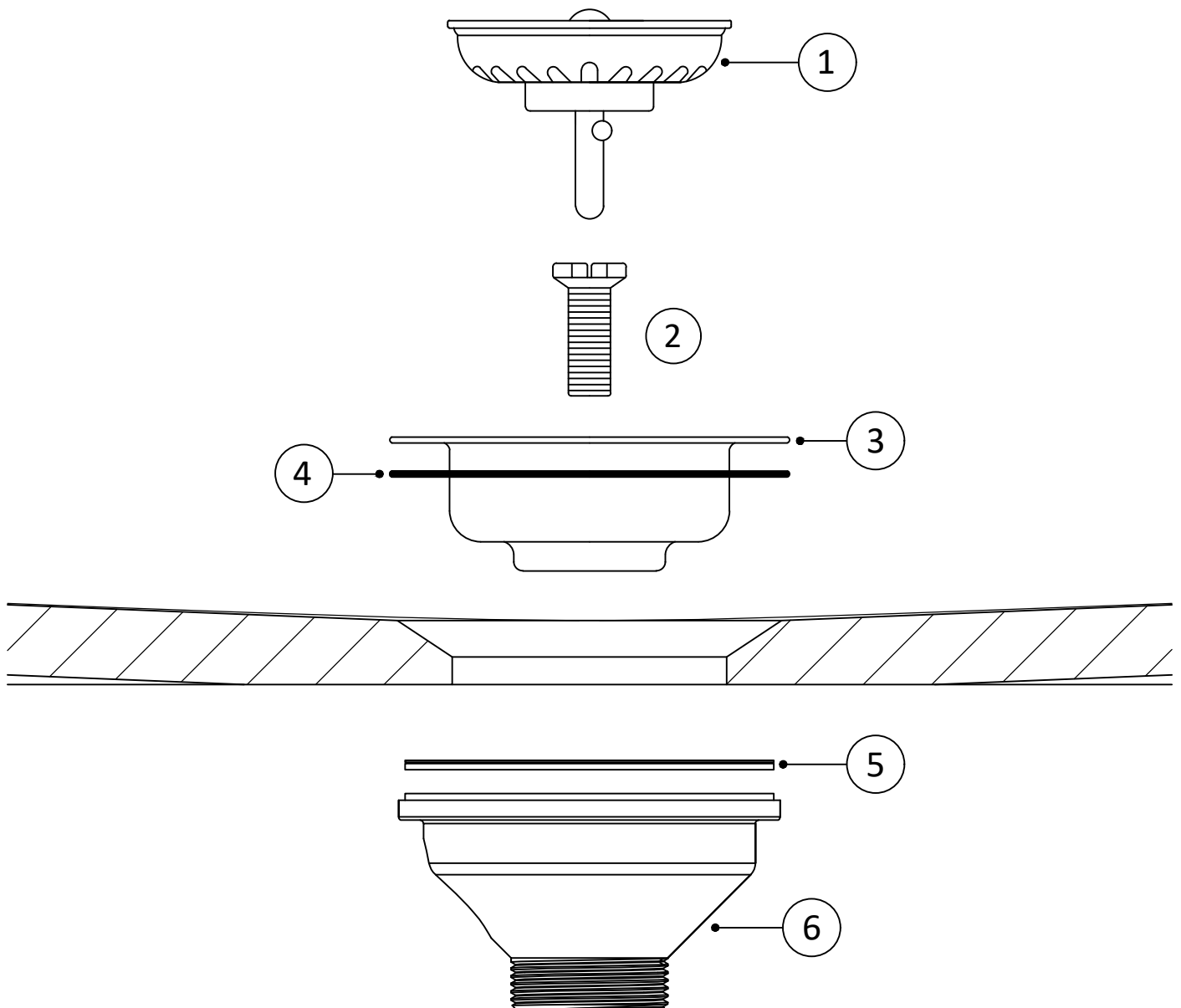


Installation

IDENTIFY THAT ALL COMPONENTS ARE PRESENT PRIOR TO INSTALLATION

1. Remove the waste strainer (1) and Screw (2).
2. Place Flange (3) and Foam Washer (4) on the bowl side of the sink, then attached the Rubber Washer (5) and Waste body (6) to the underside of the bowl.
Note: Make sure the washer is not twisted before locking into position with Screw (2).
3. Insert Waste Strainer (1)

Check ALL joints and connections for leaks.



GUARANTEE & AFTERCARE

When installing or using tools, extra care must be taken to avoid damaging the finish or fitting. To maintain the appearance, please ensure it is cleaned regularly using a clean soft damp cloth only. Abrasive cleaners or detergents must not be used as they may cause surface deterioration. The company provides a guarantee against faulty material or manufacture excluding serviceable parts, providing they have been installed, cared for and used in accordance with our instructions.

If you require any additional information or have any issues with this product please refer to the website.