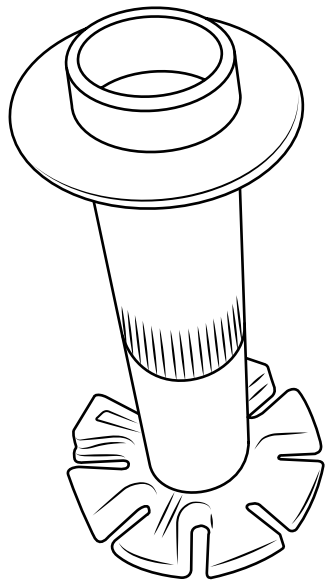


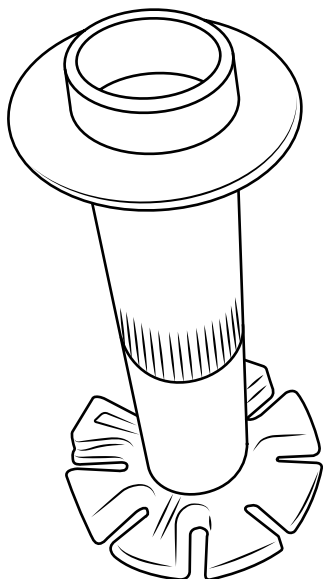
Shower Tray Riser Legs



Installation Guide

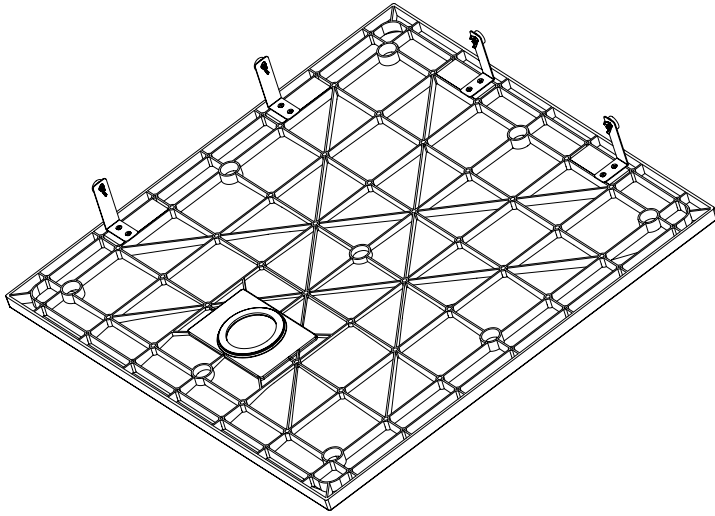
Installation

Shower Tray Legs:

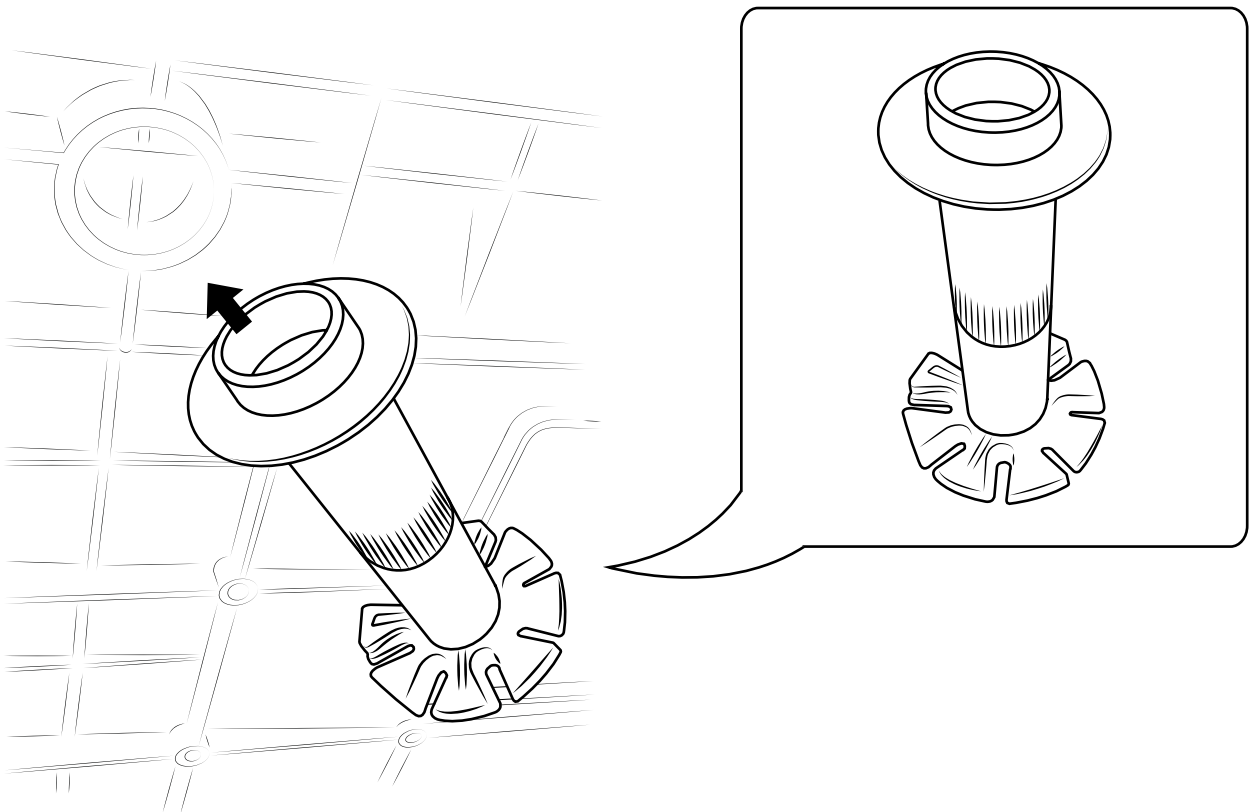


Tray size	Legs required
800 x 800	10
900 x 800	10
900 x 900	9
1000 x 800	12
1100 x 700	11
1200 x 800	13
1200 x 900	13
1400 x 800	16
1400 x 900	15
1500 x 800	11
1500 x 900	12
1600 x 800	11
1700 x 800	14
1700 x 900	15
1800 x 900	15

1



2



3

i Style may vary

