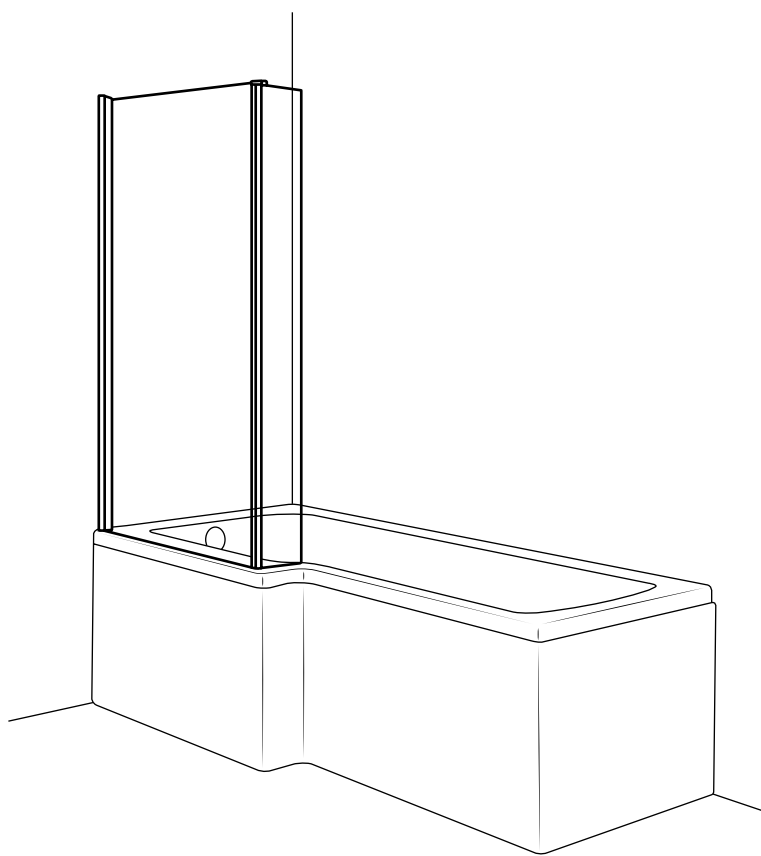


L-Shaped Shower Bath

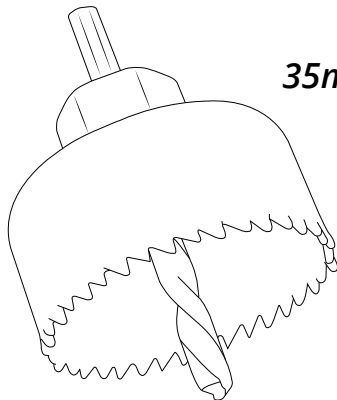
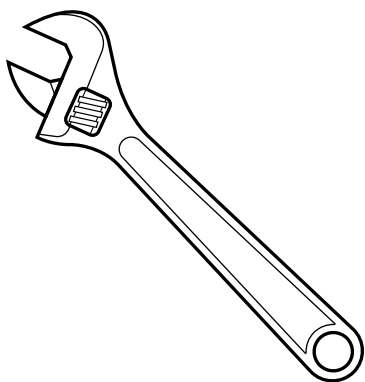
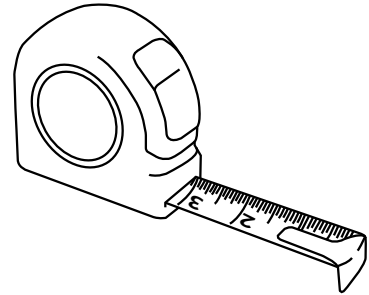
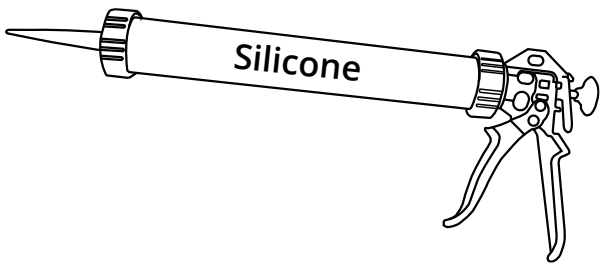
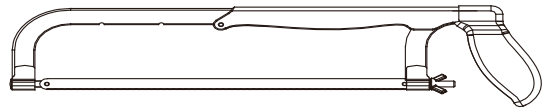
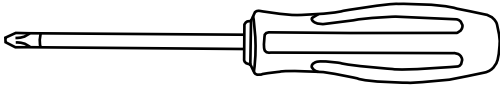
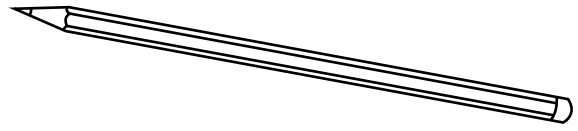
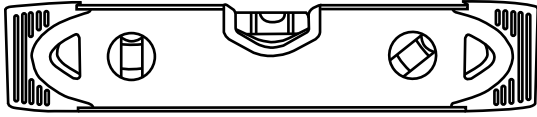


ⓘ Style may vary

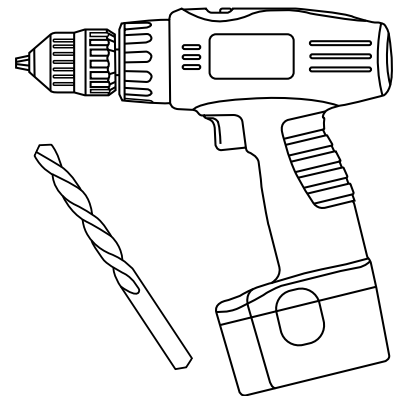
Installation Guide

Installation

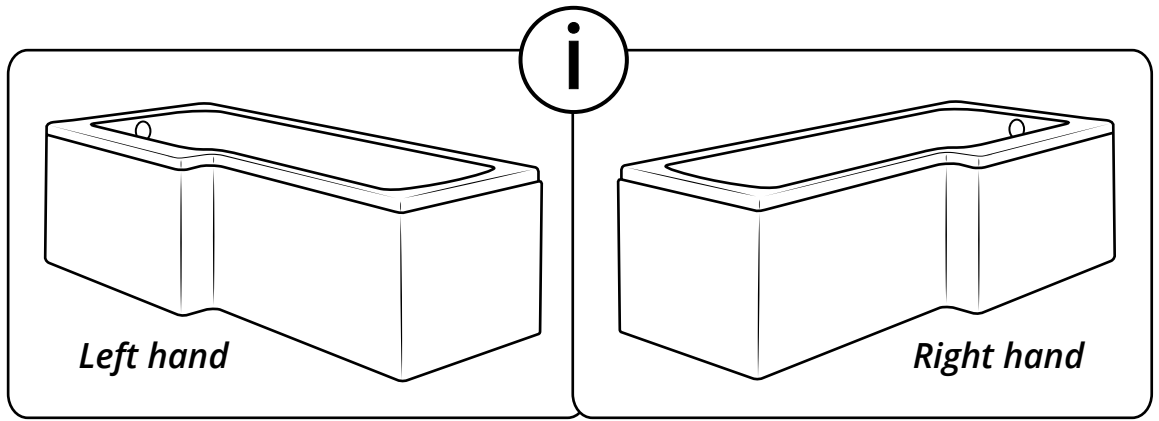
Tools required for installing:



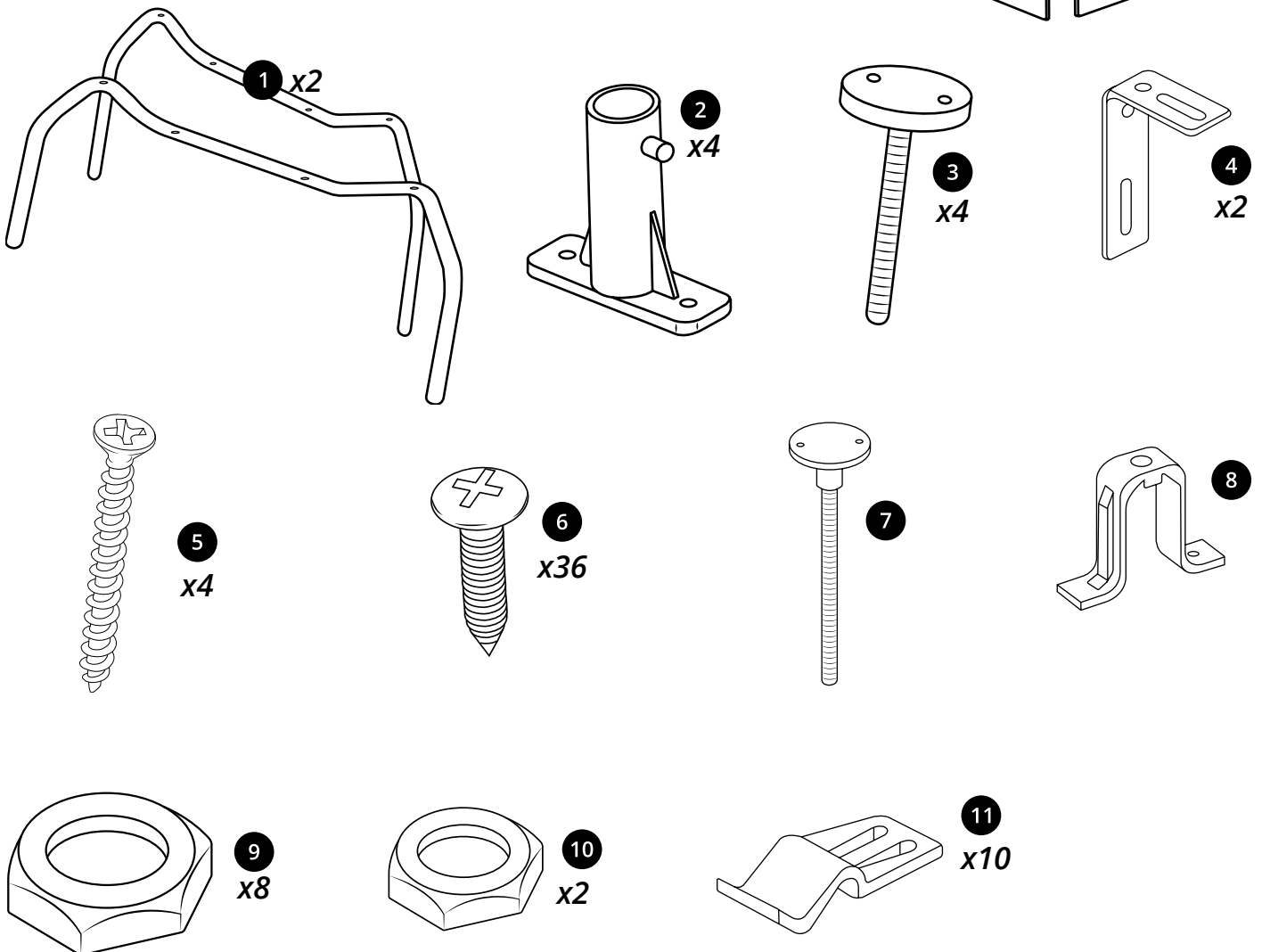
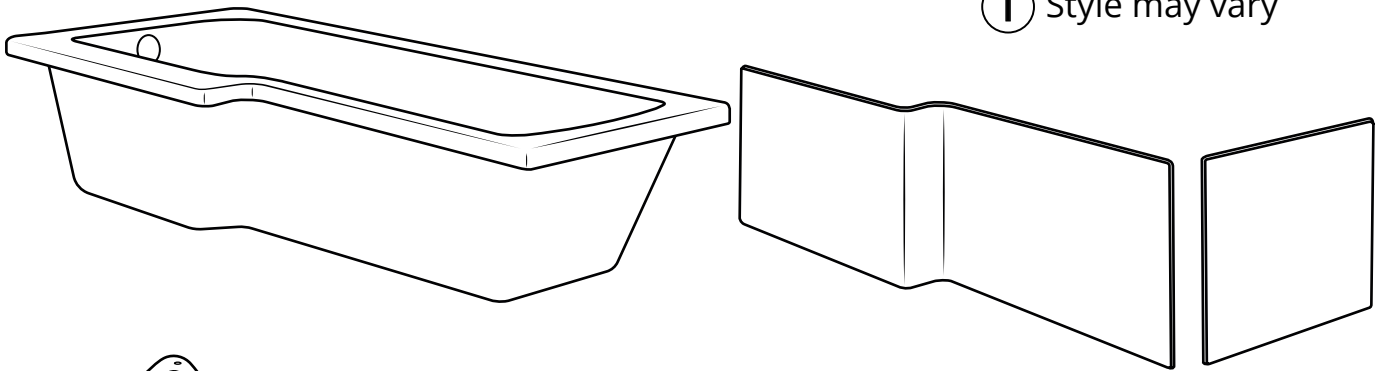
35mm



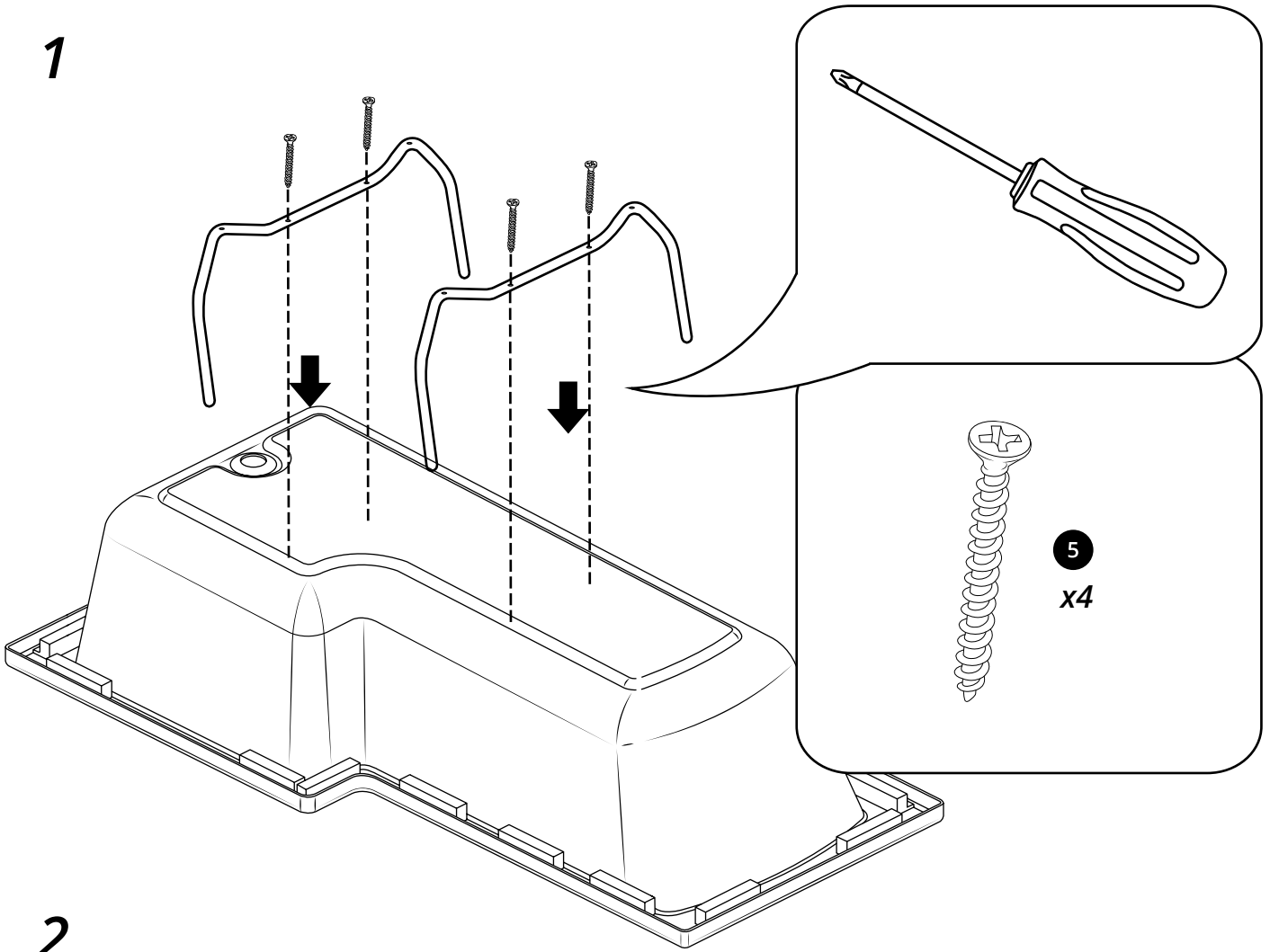
Parts included:



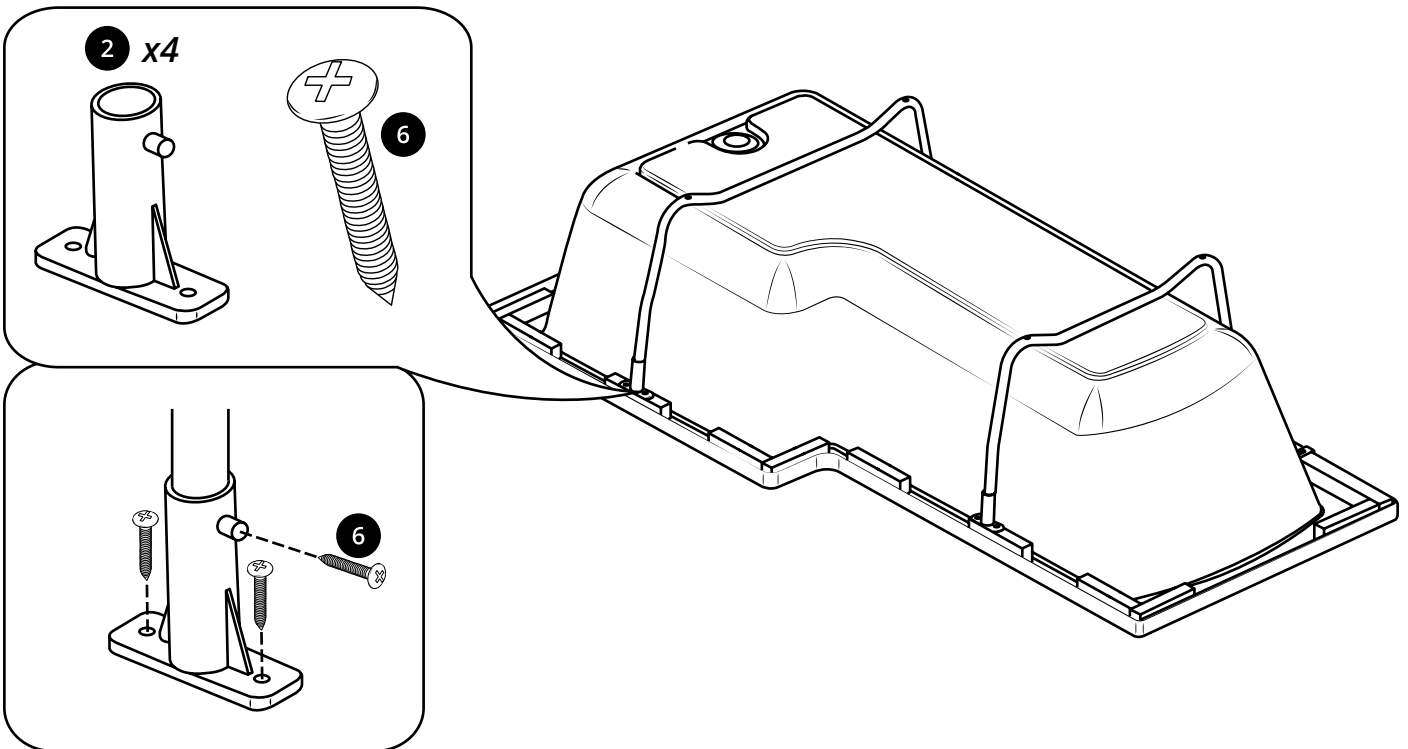
i Style may vary



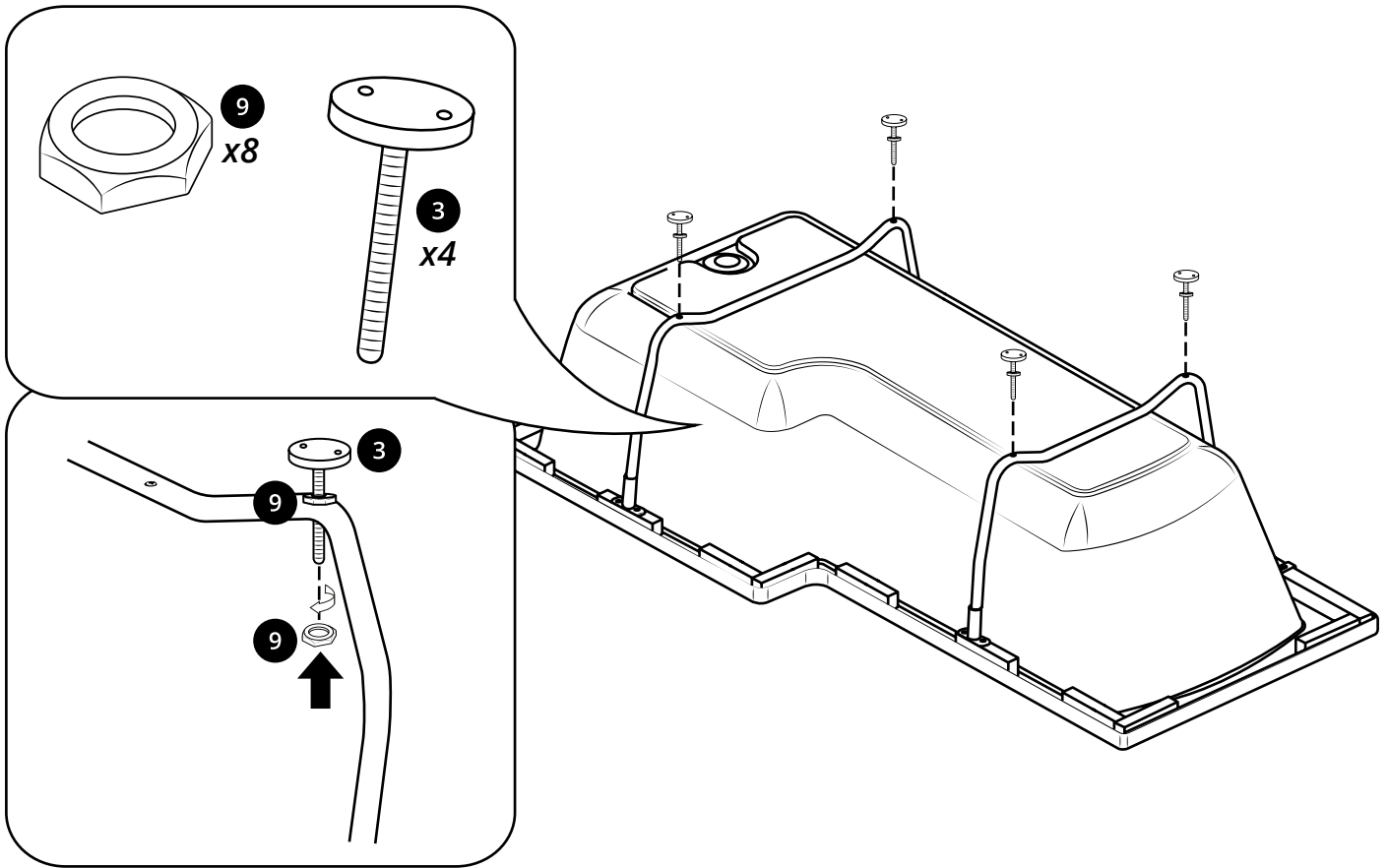
1



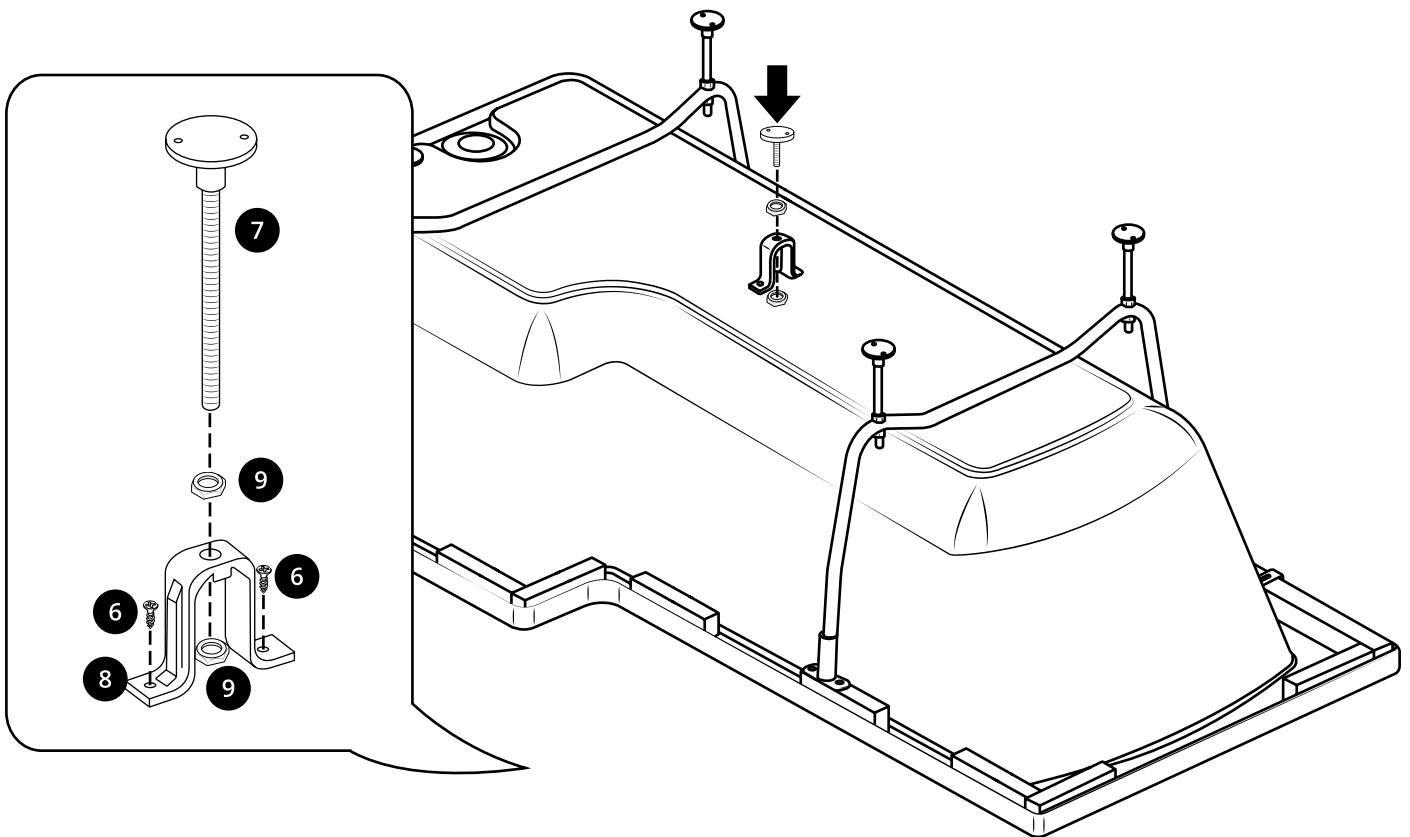
2



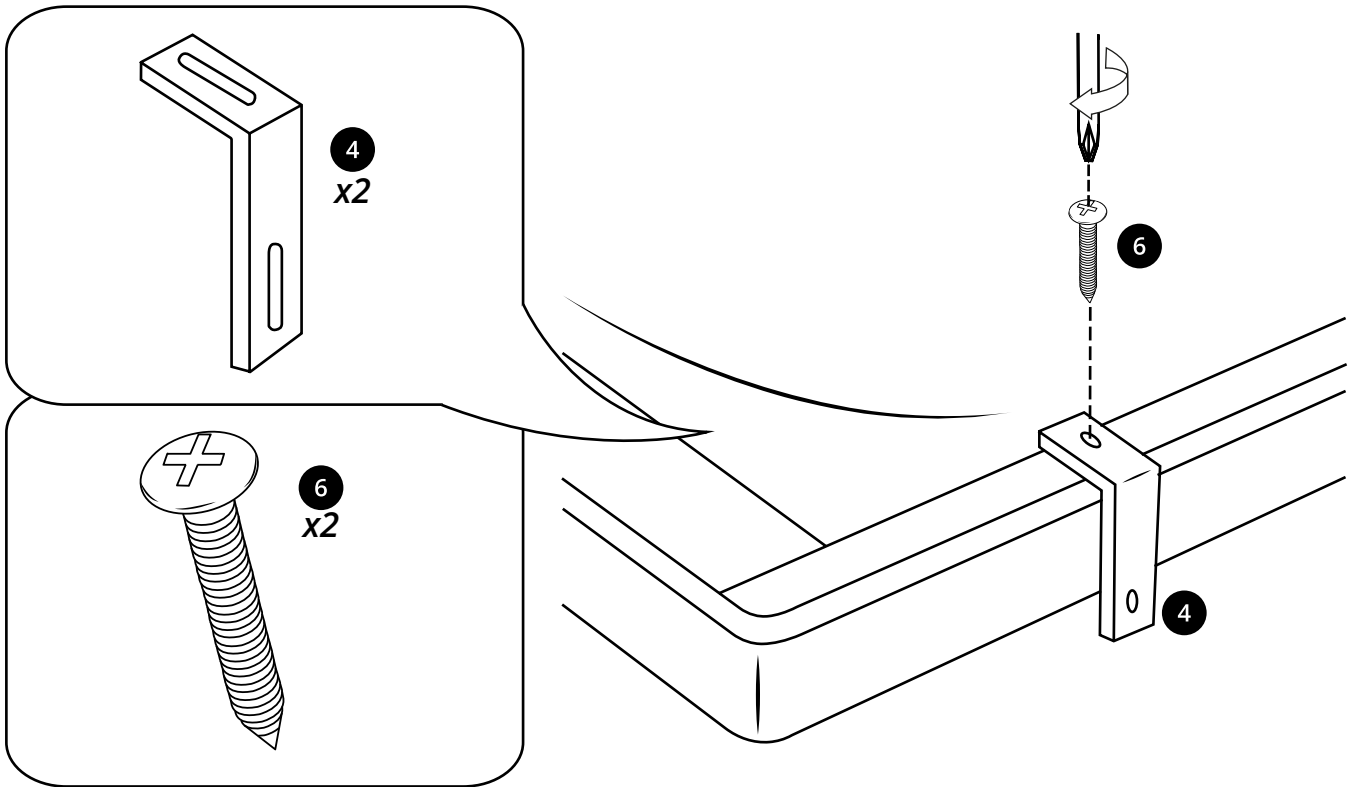
3



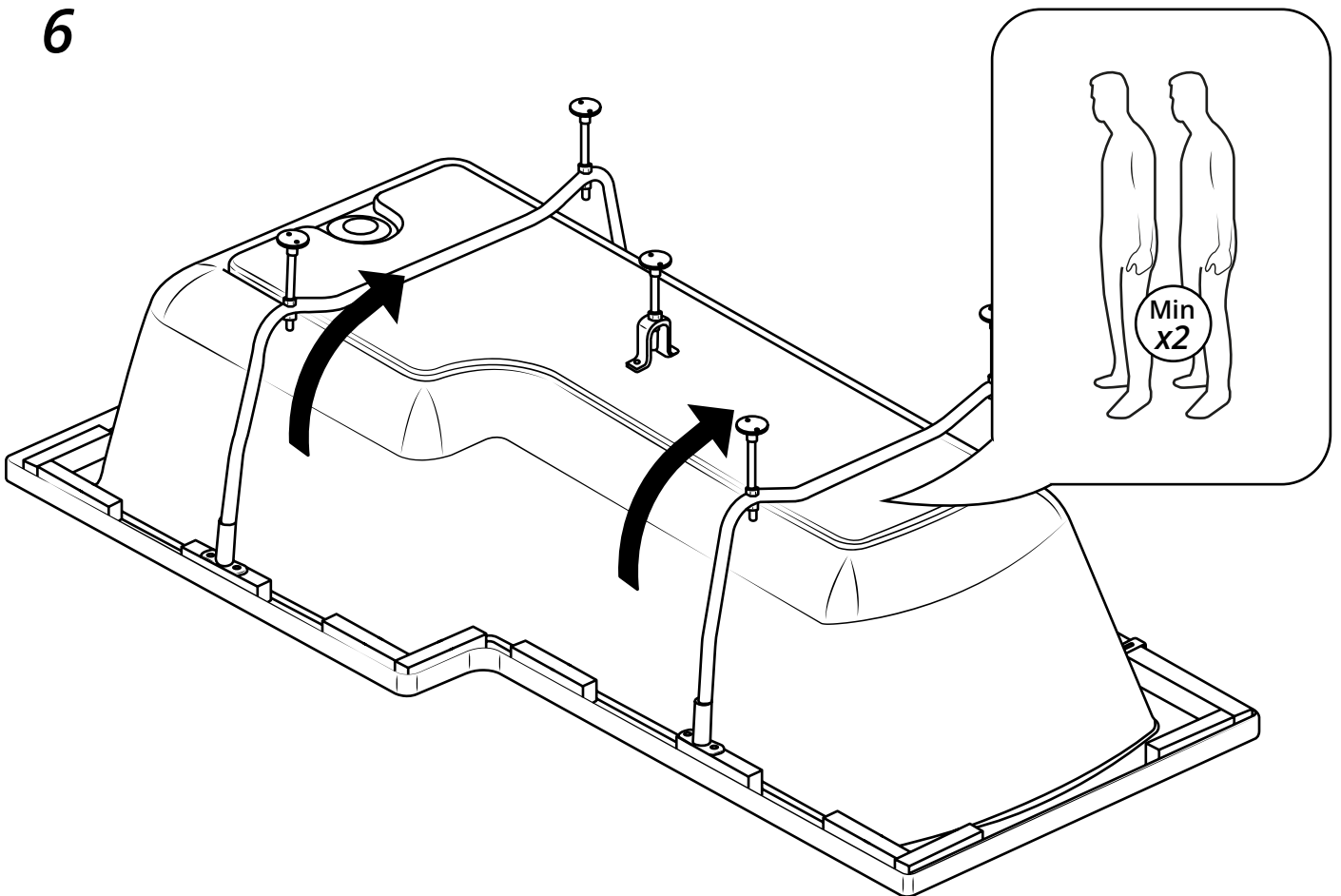
4



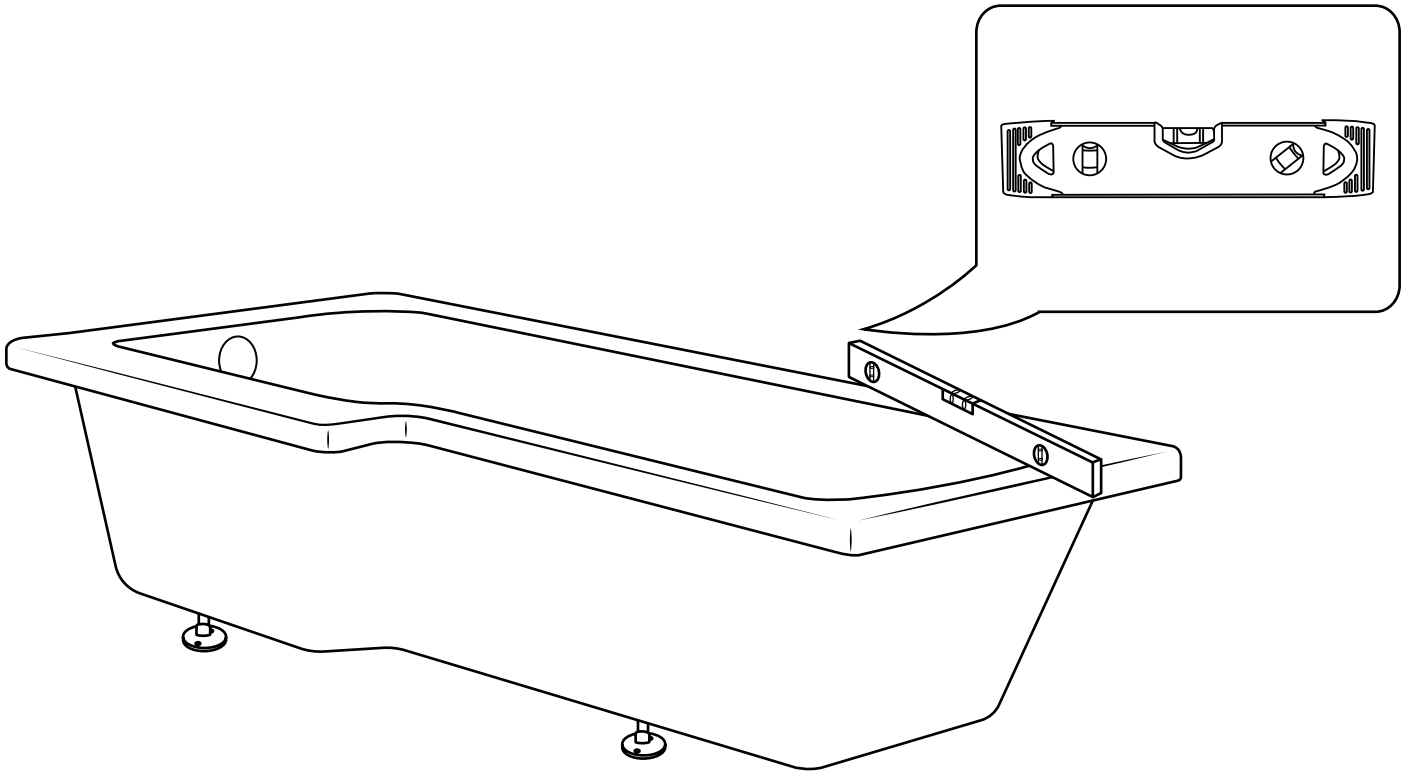
5



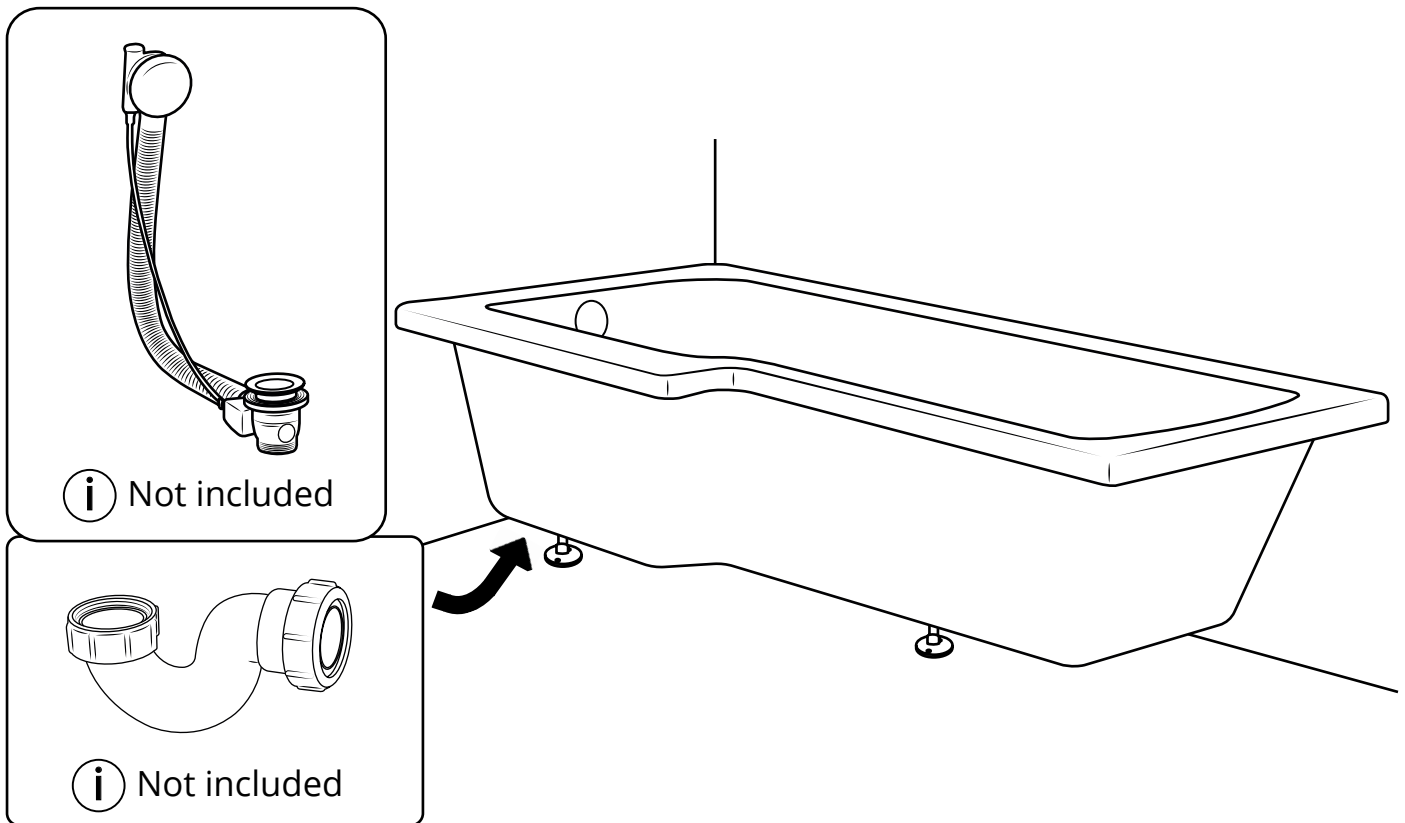
6



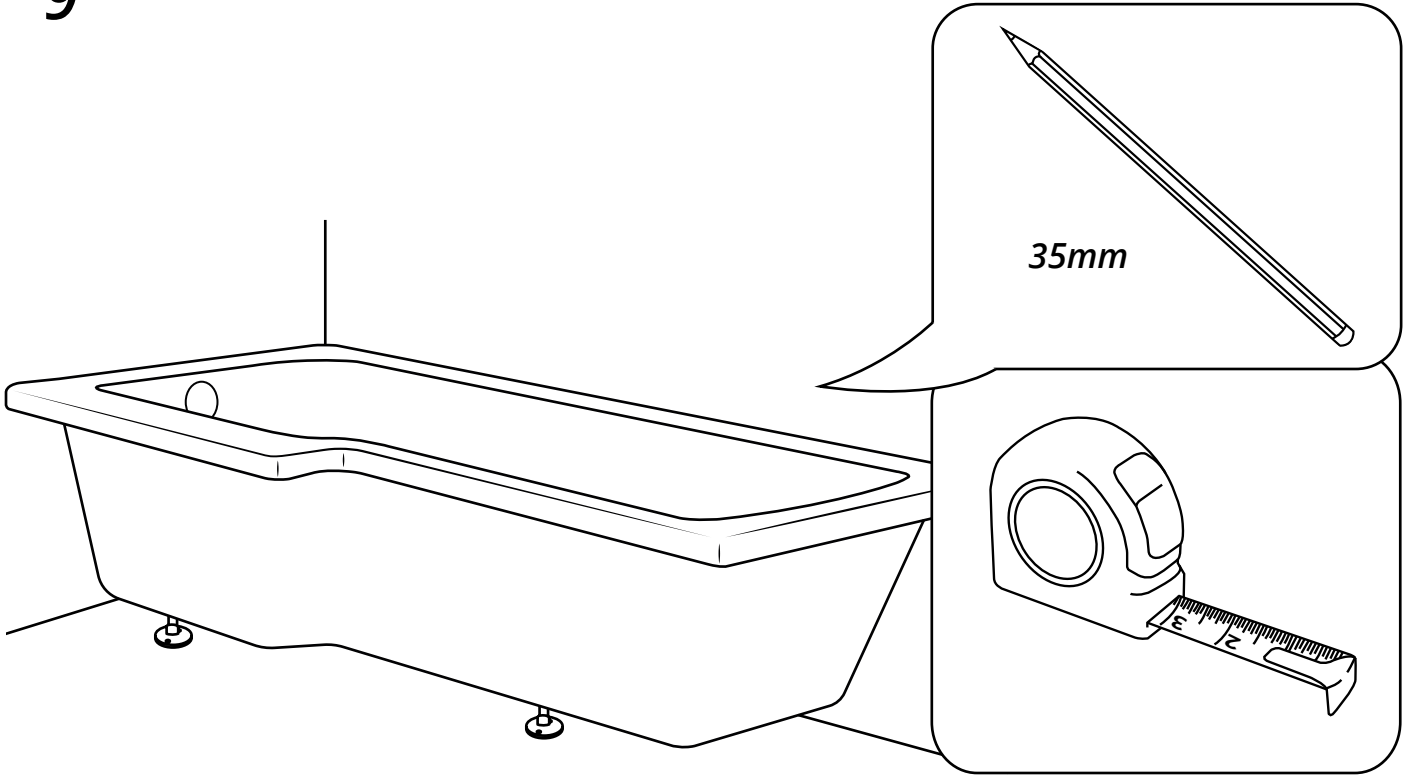
7



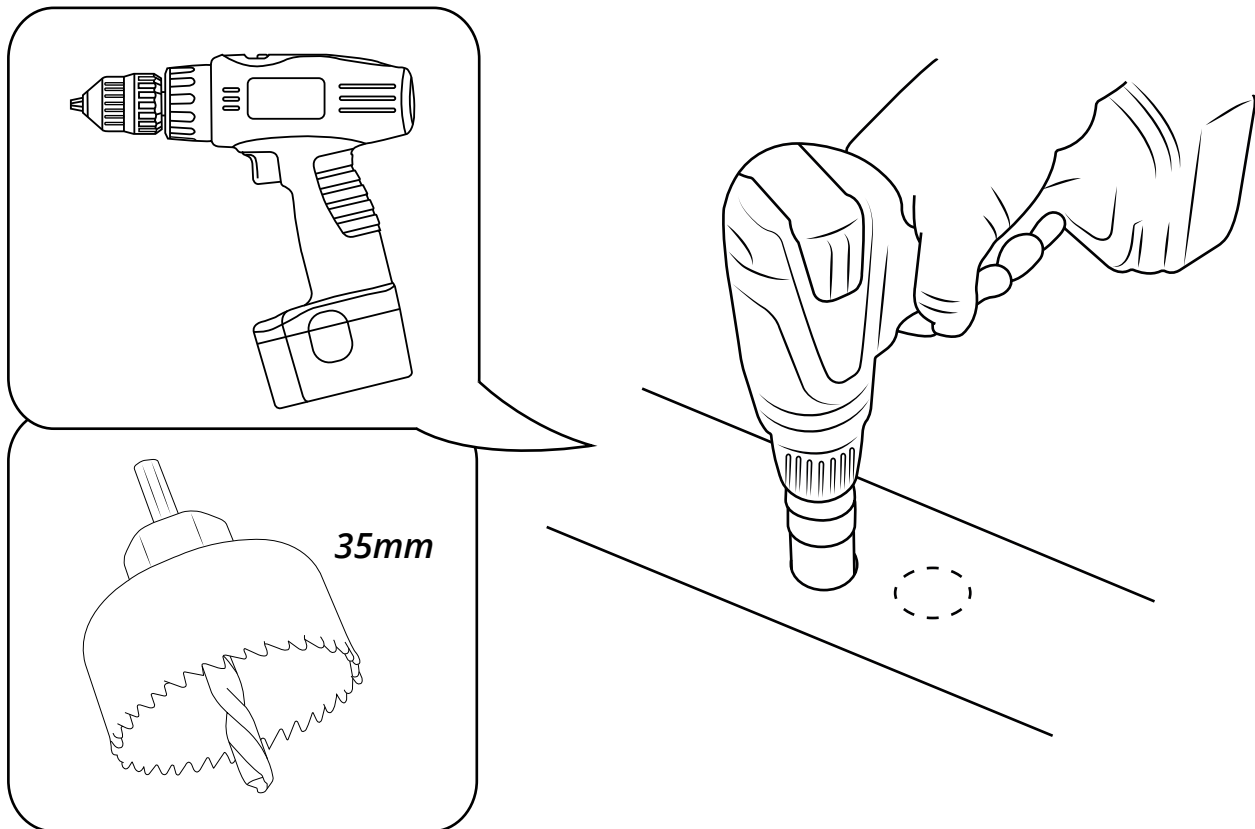
8



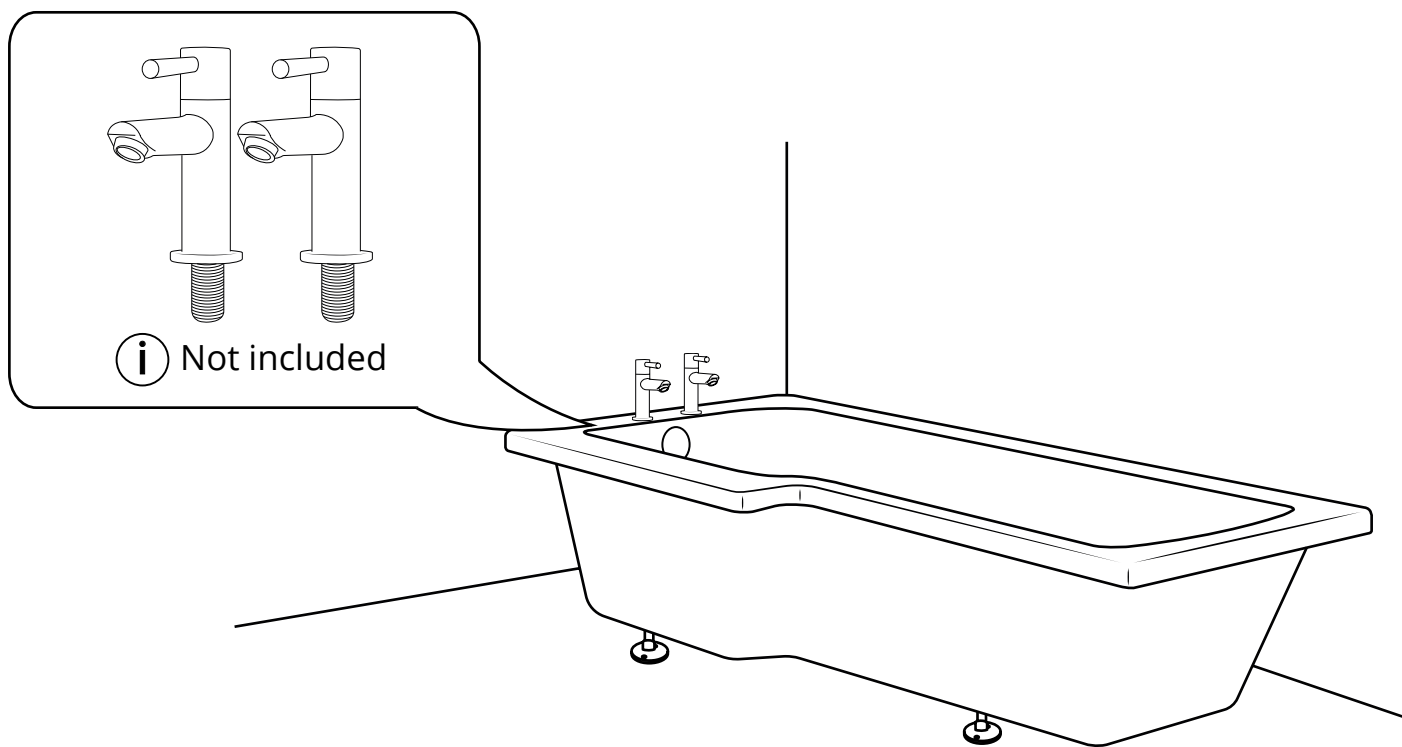
9



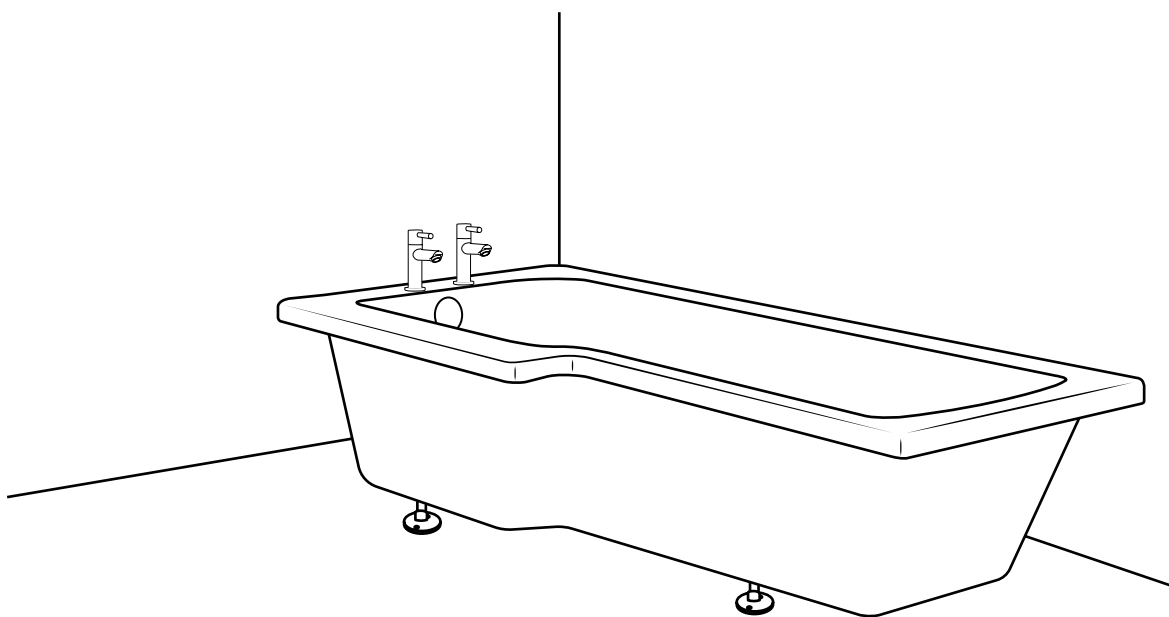
10



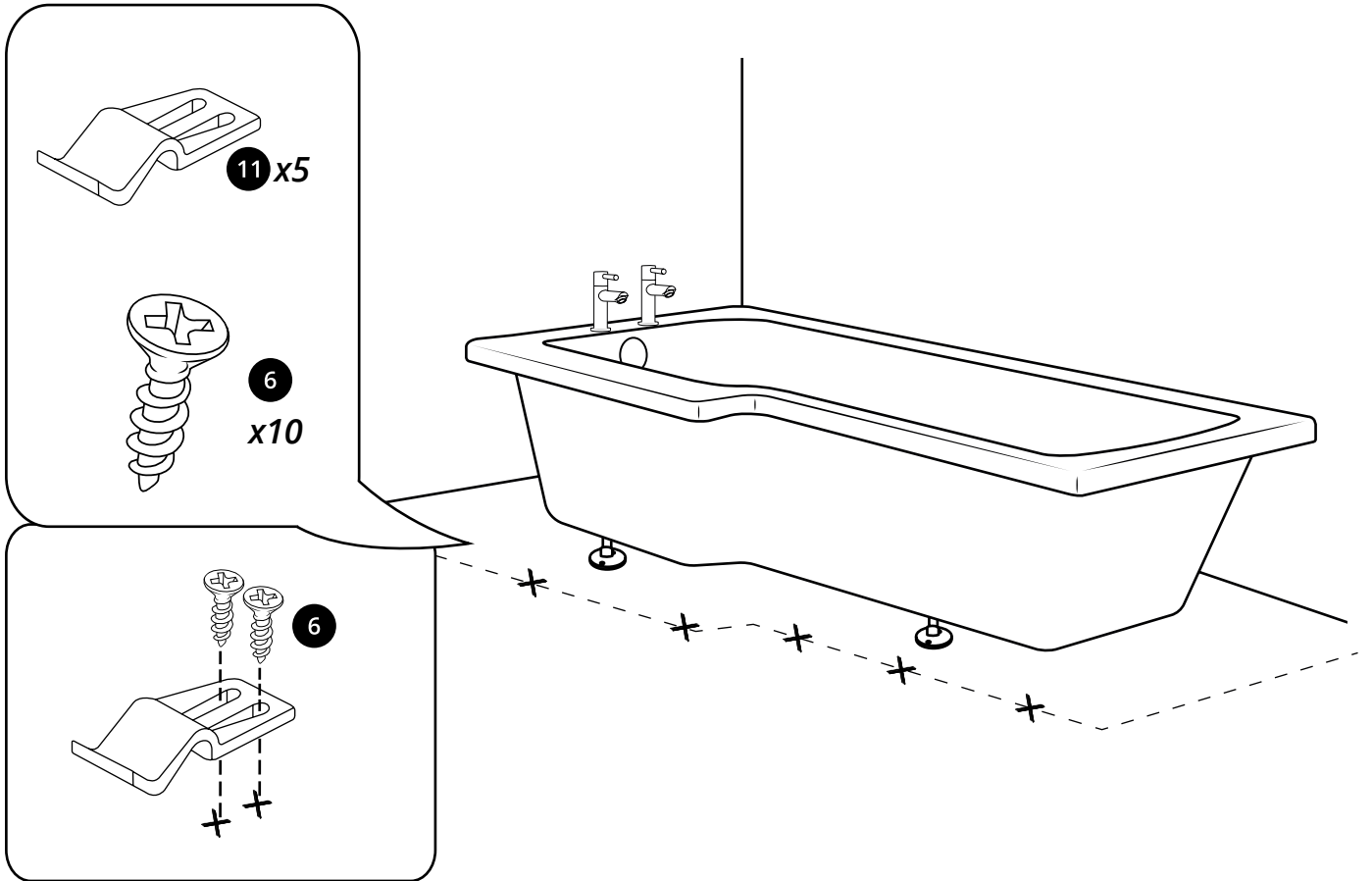
11



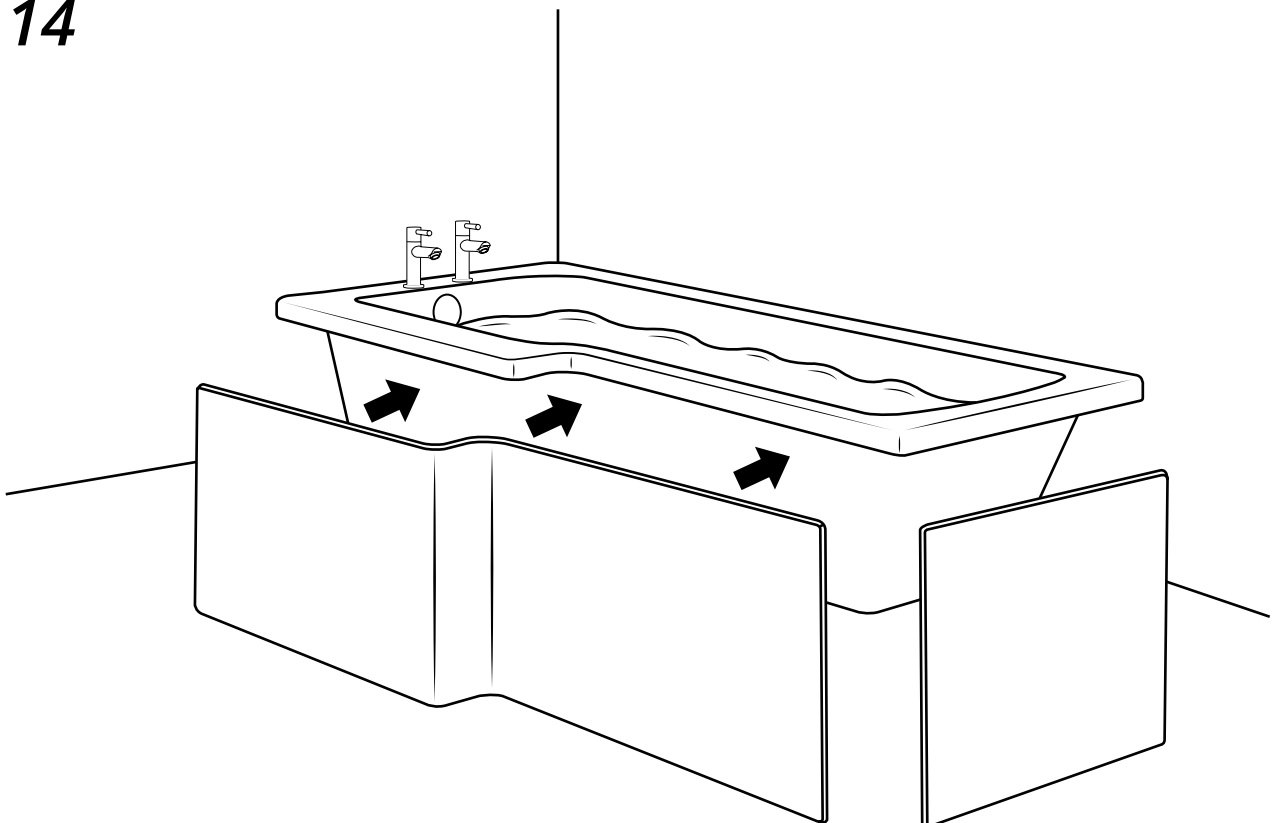
12



13



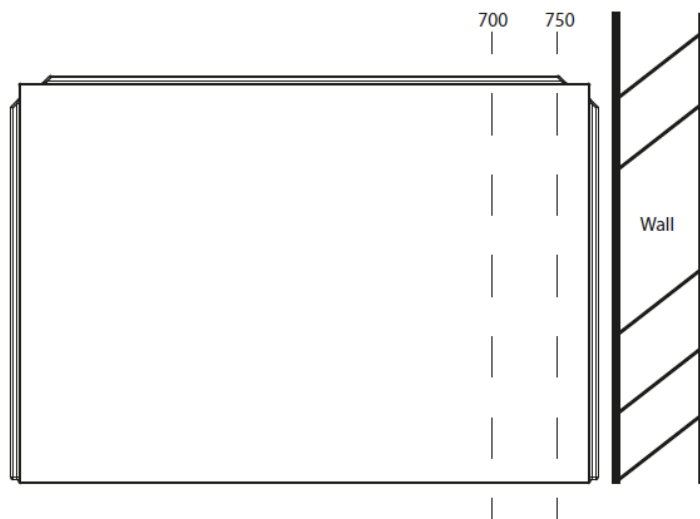
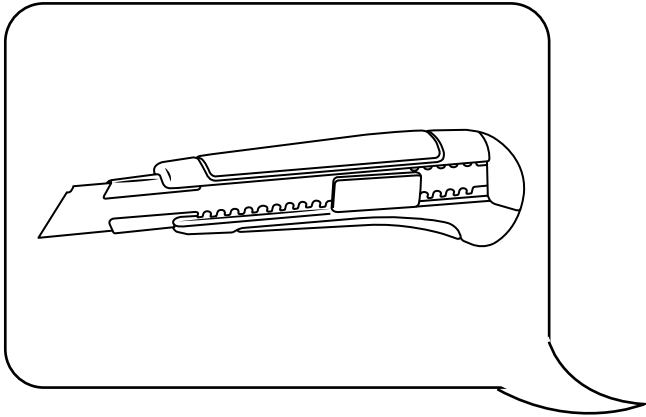
14



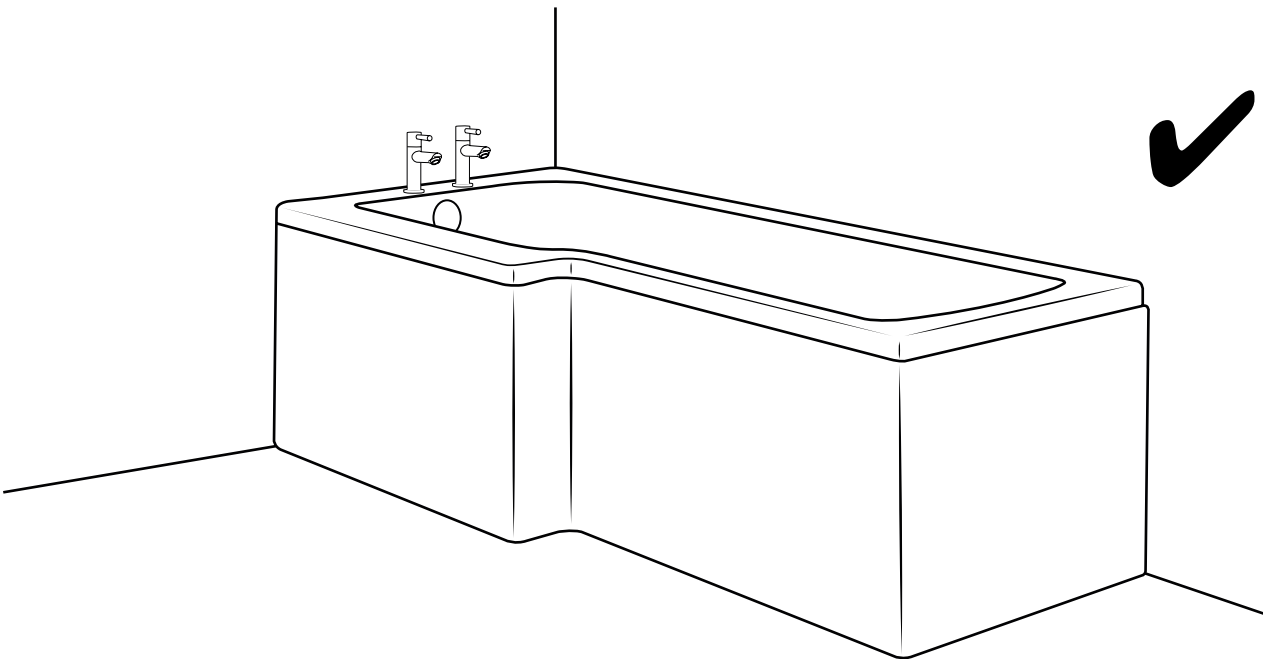
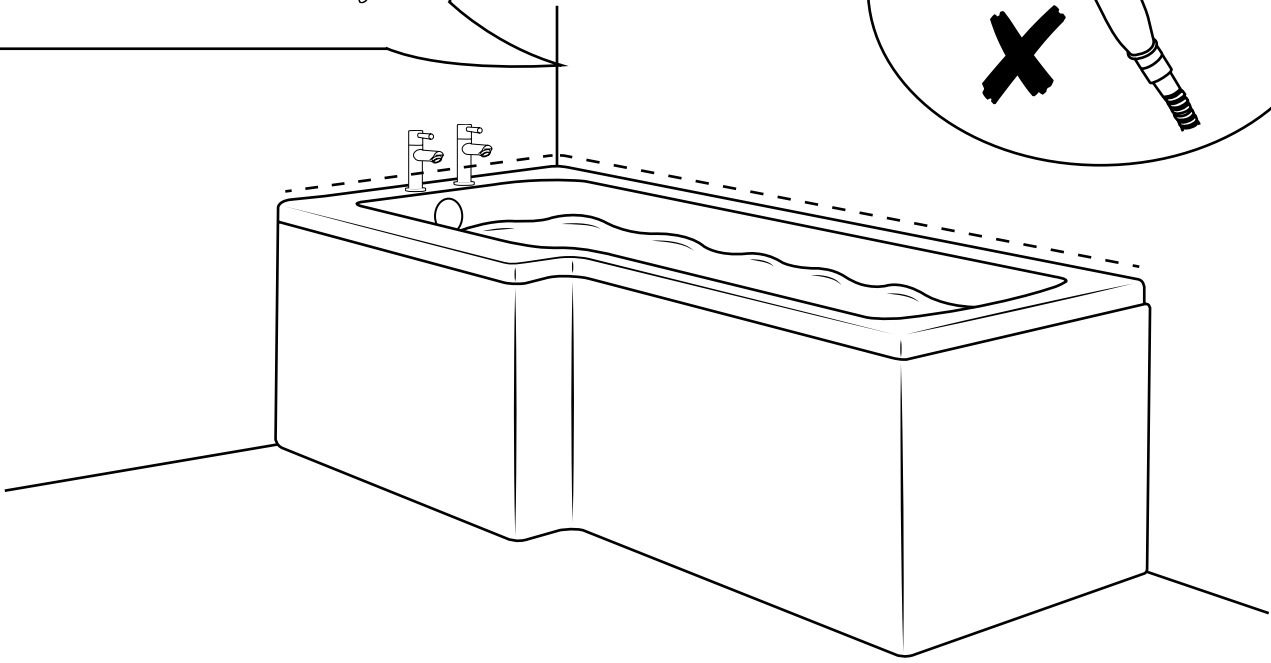
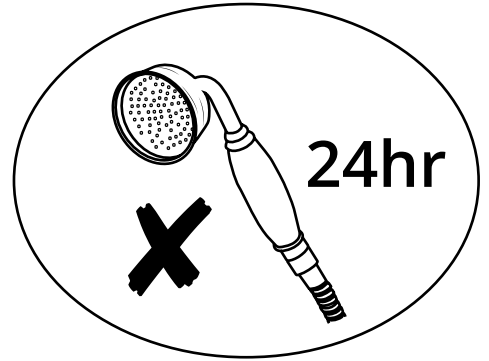
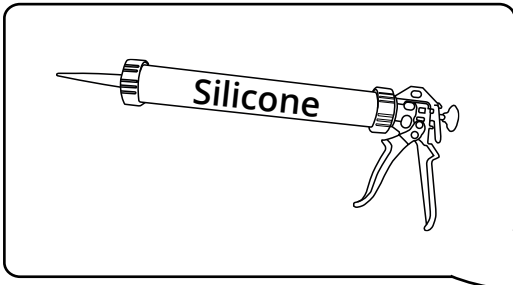
15

To create a 700 or 750mm finish, trim the end panel to suit at the wall side using a small fine toothed saw or sharp knife.

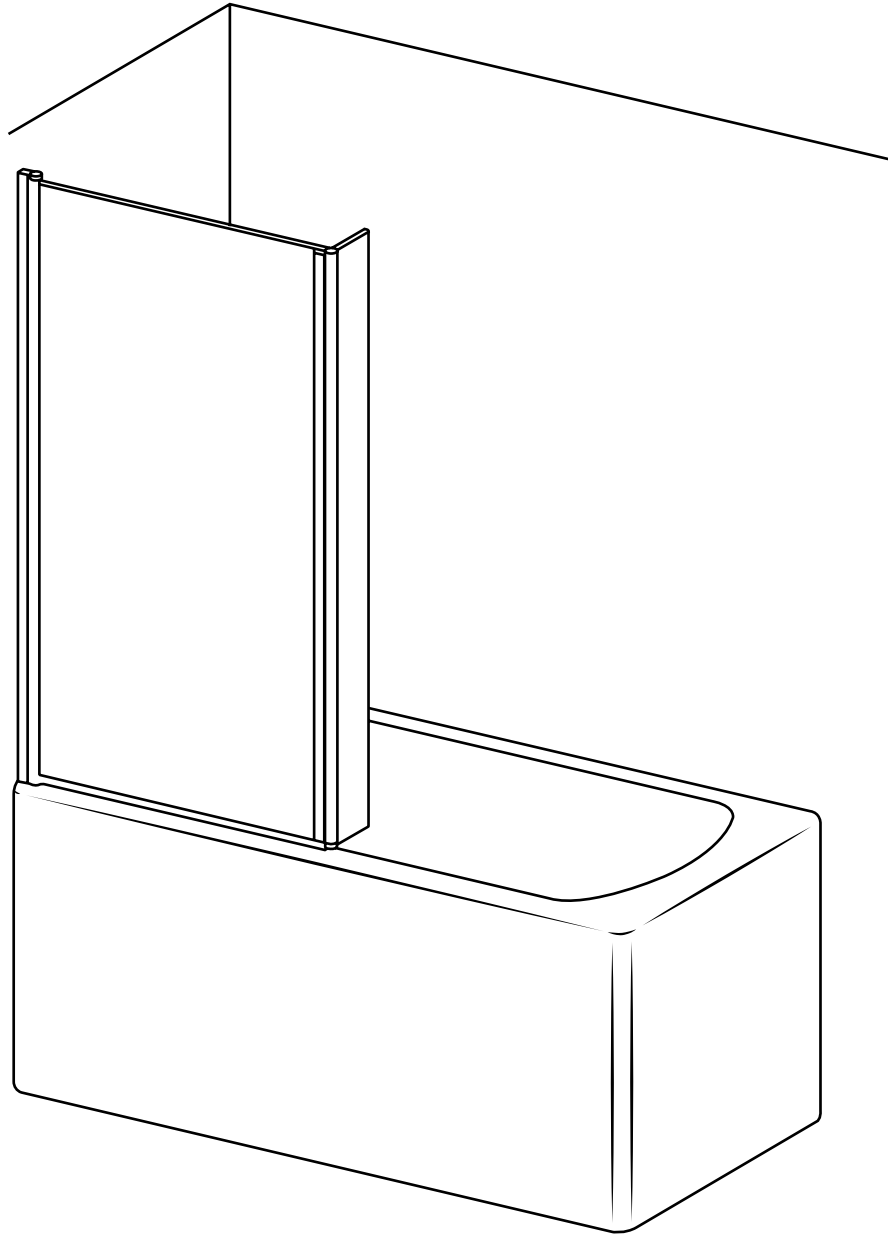
It is recommended that sizes are checked prior to cutting and fitting to prevent mistakes from occurring.



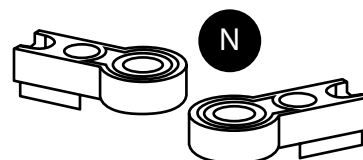
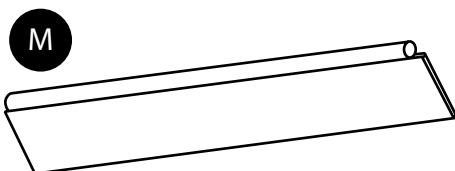
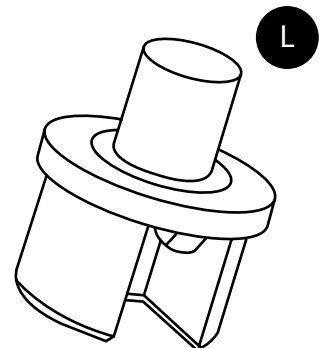
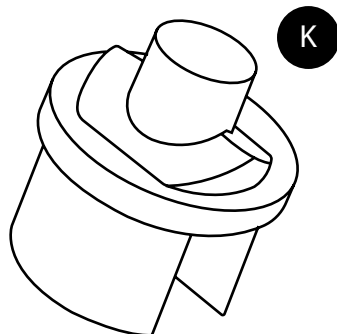
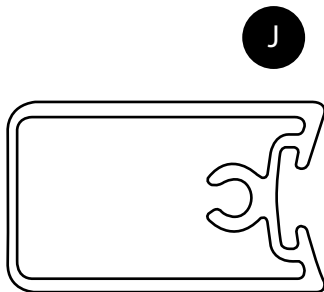
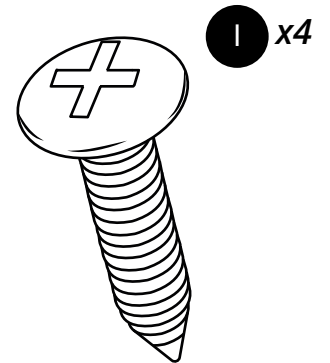
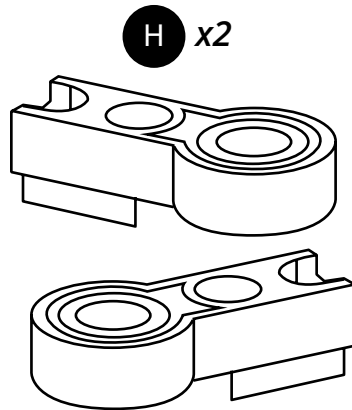
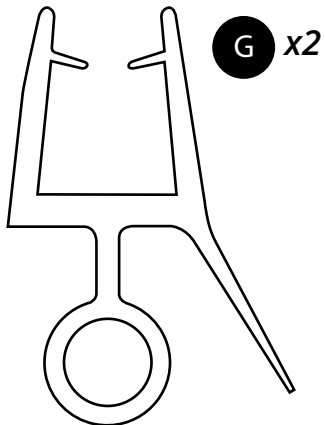
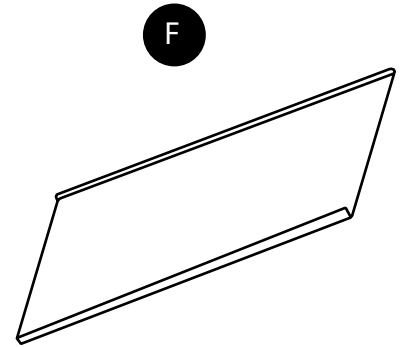
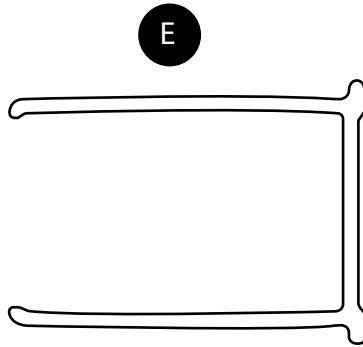
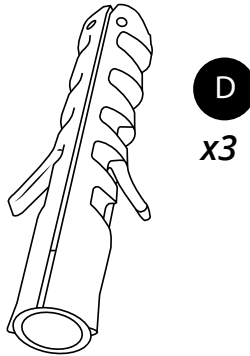
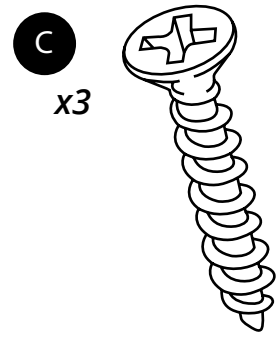
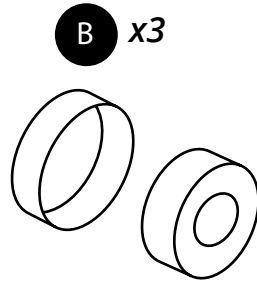
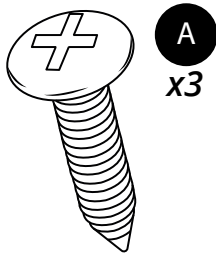
16



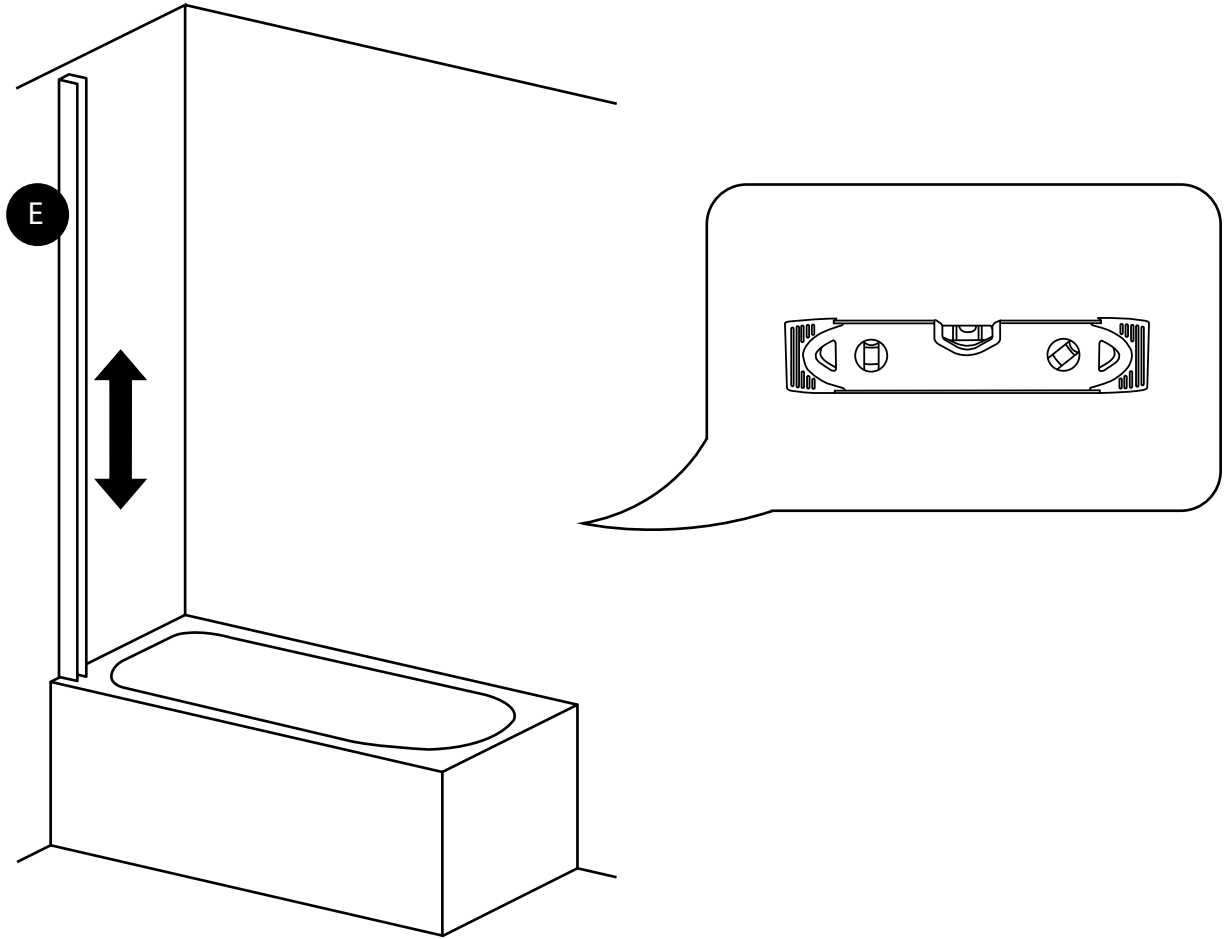
Bath Screen:



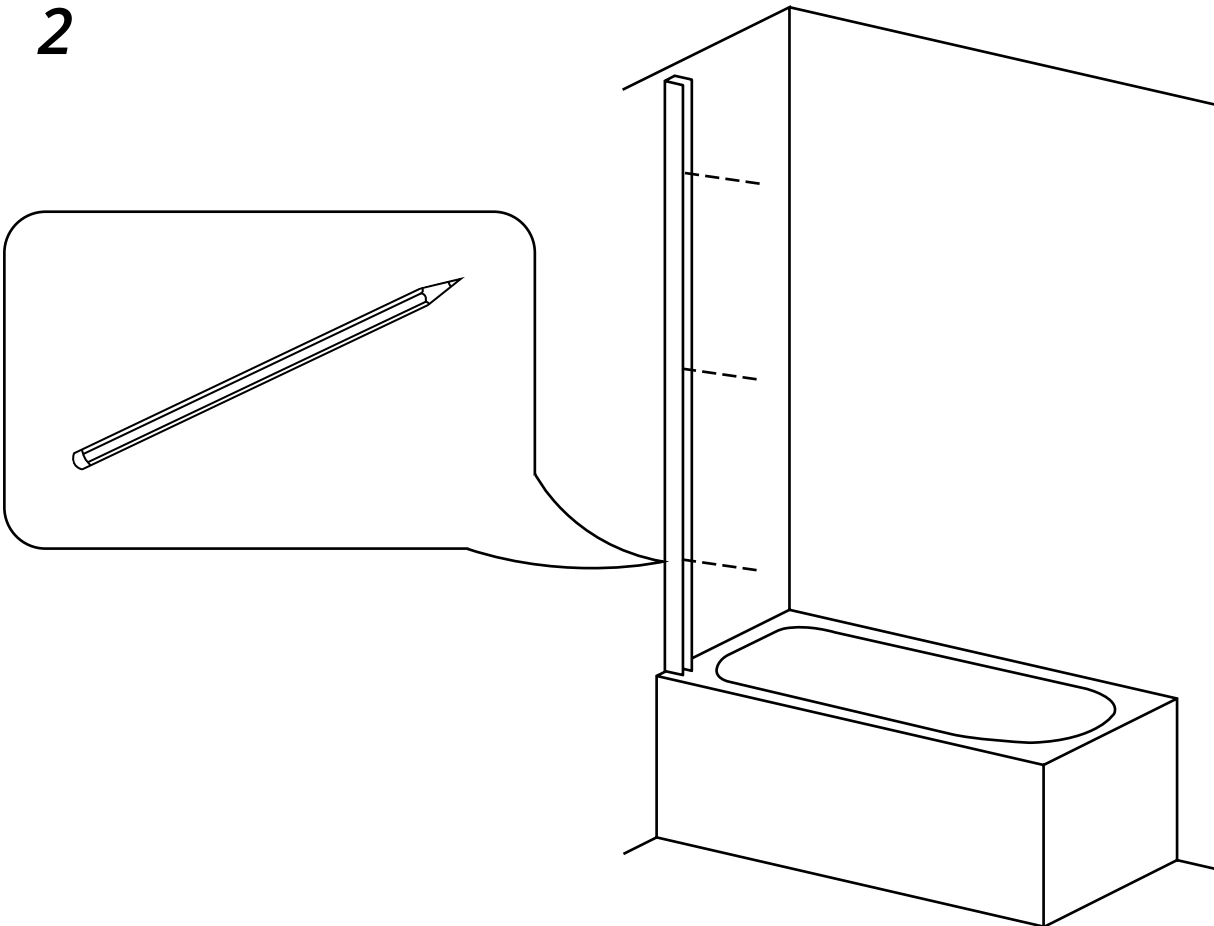
Parts included:



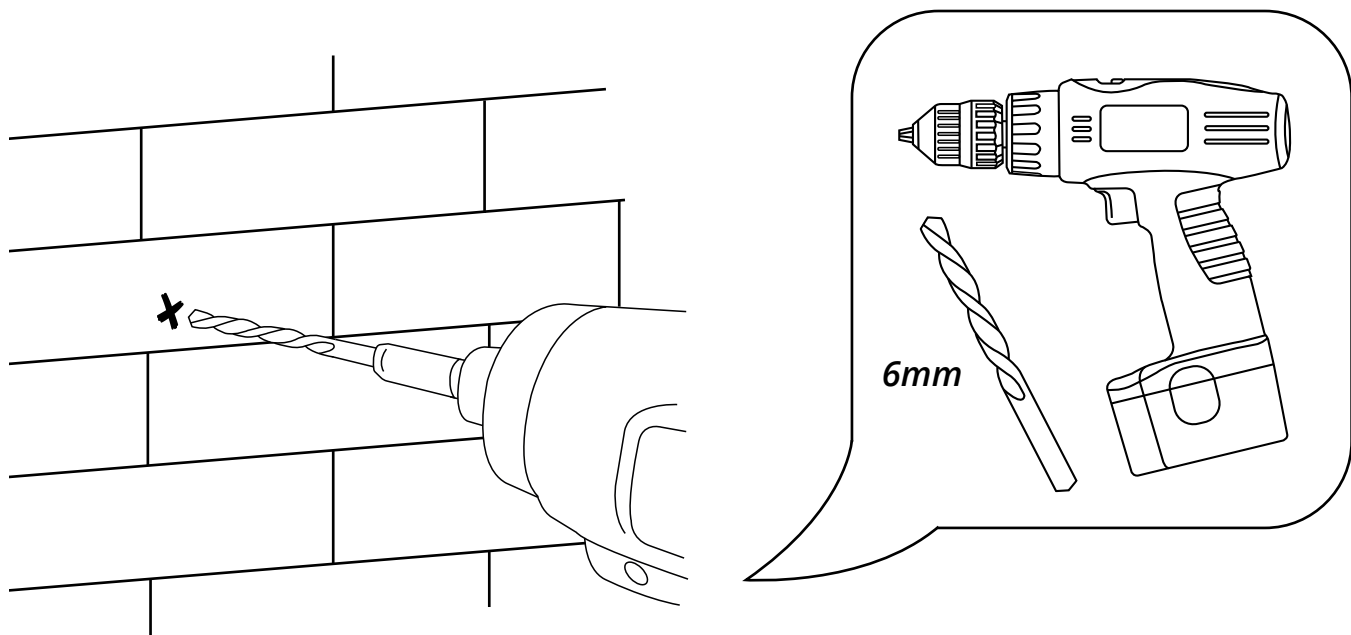
1



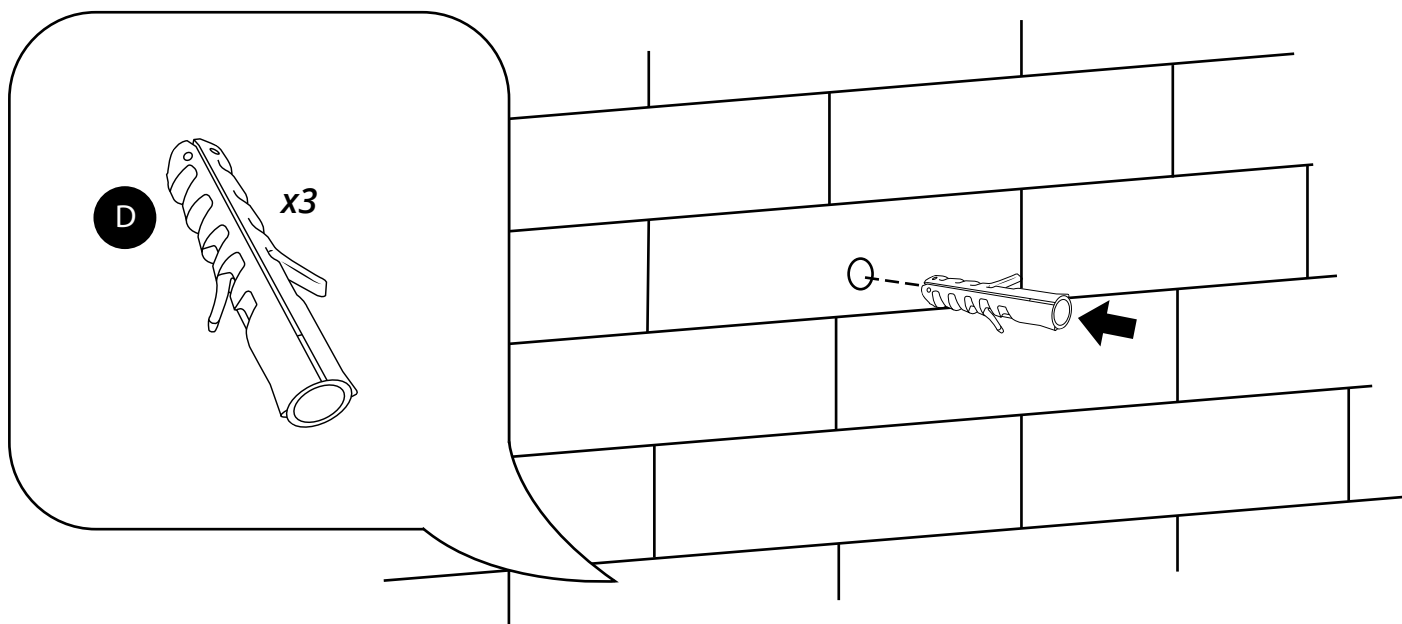
2



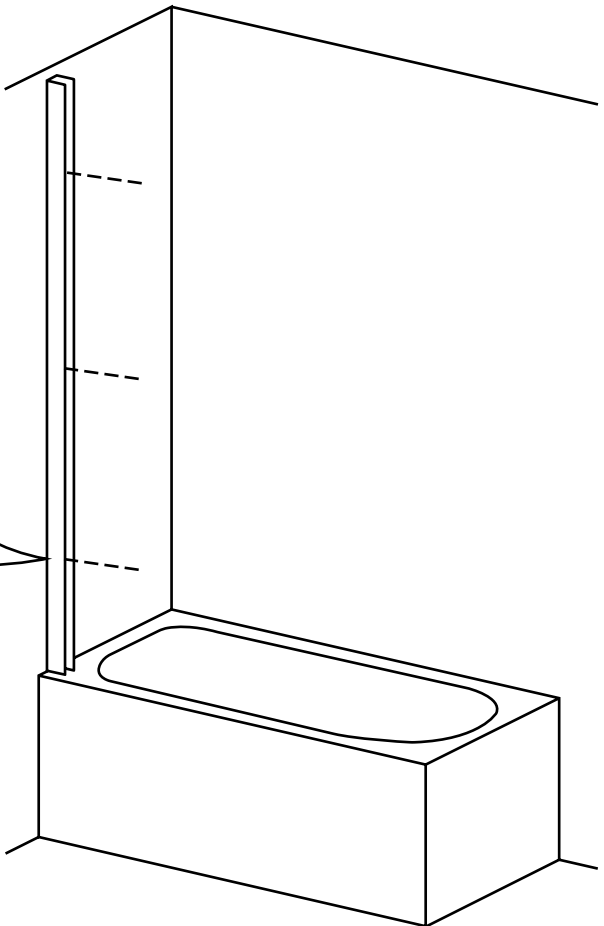
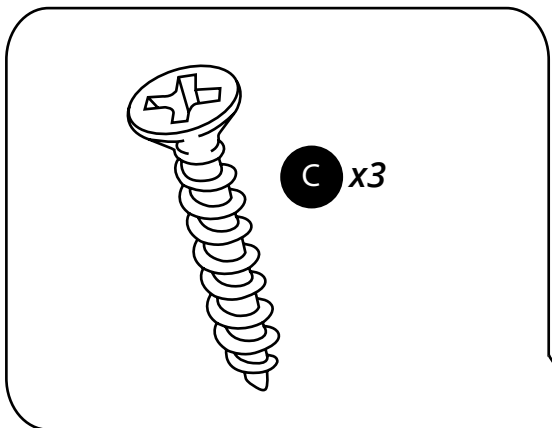
3



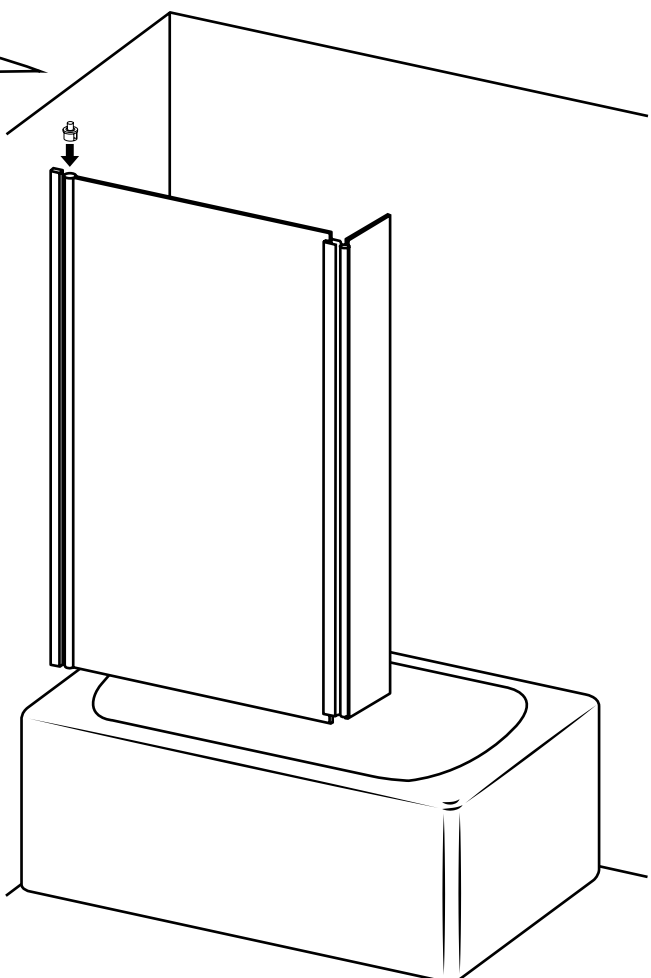
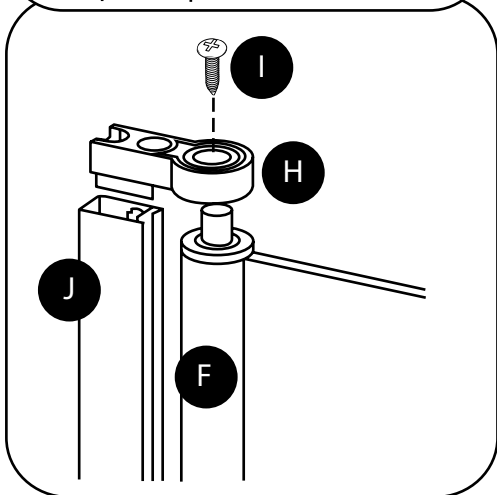
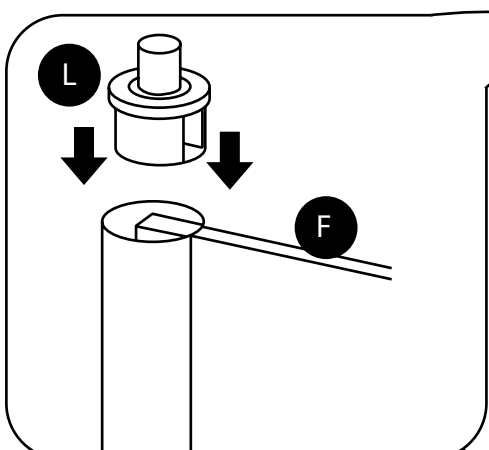
4



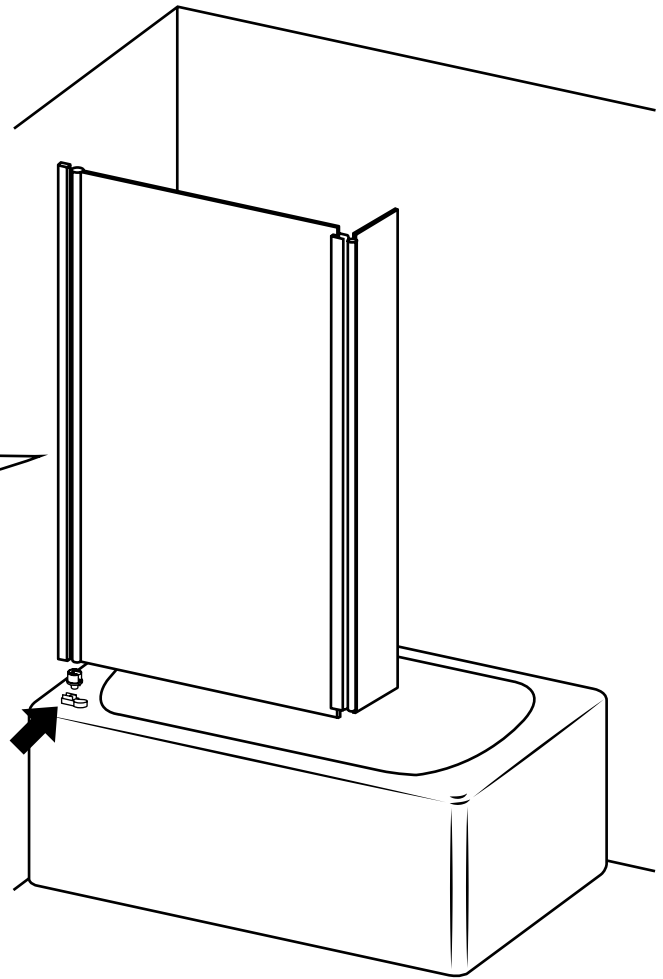
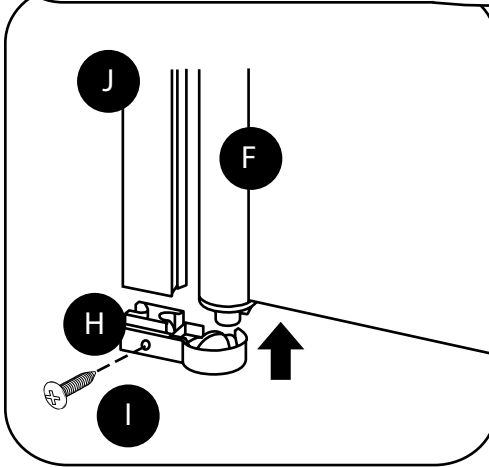
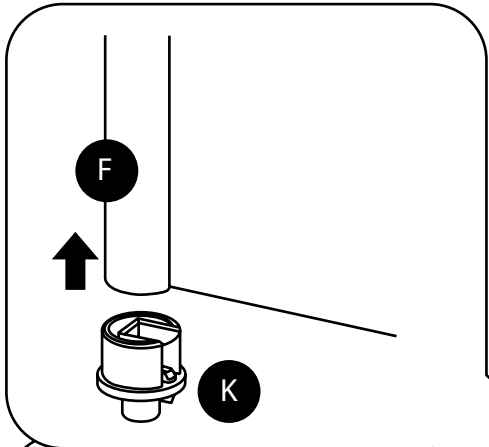
5



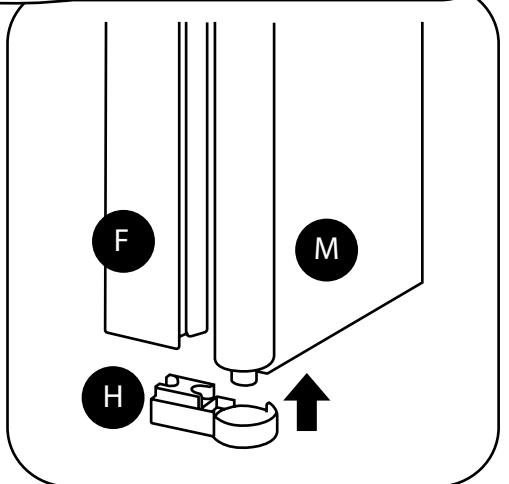
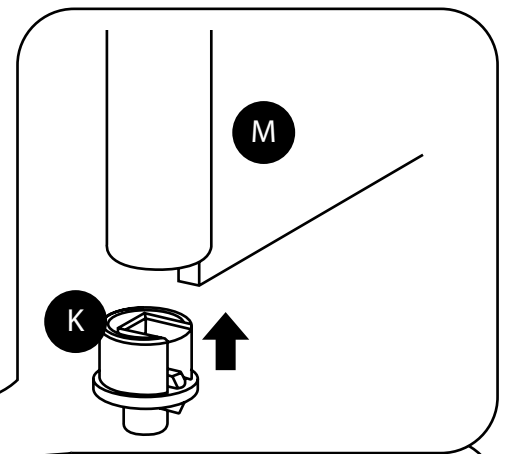
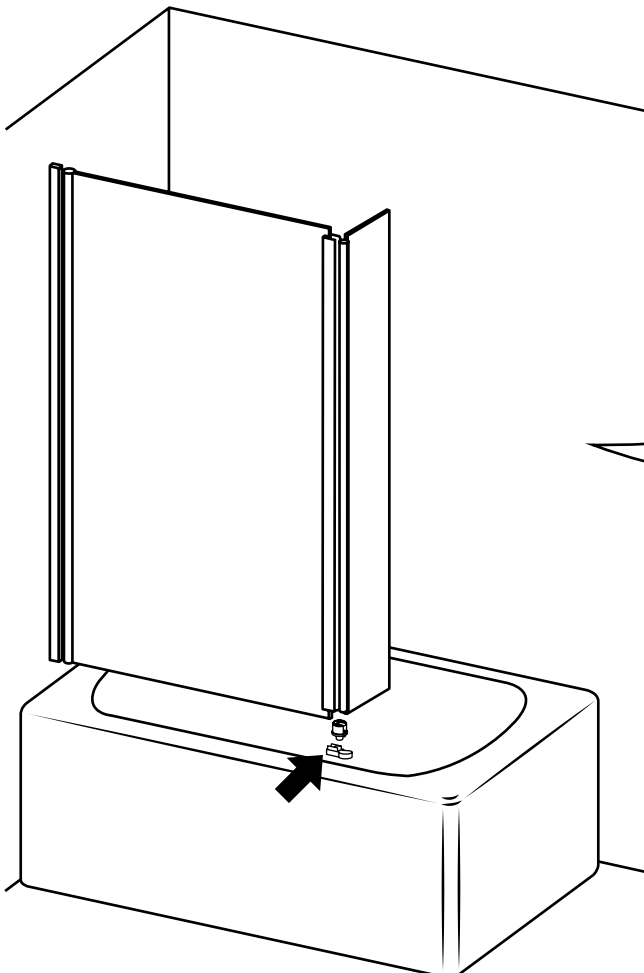
6



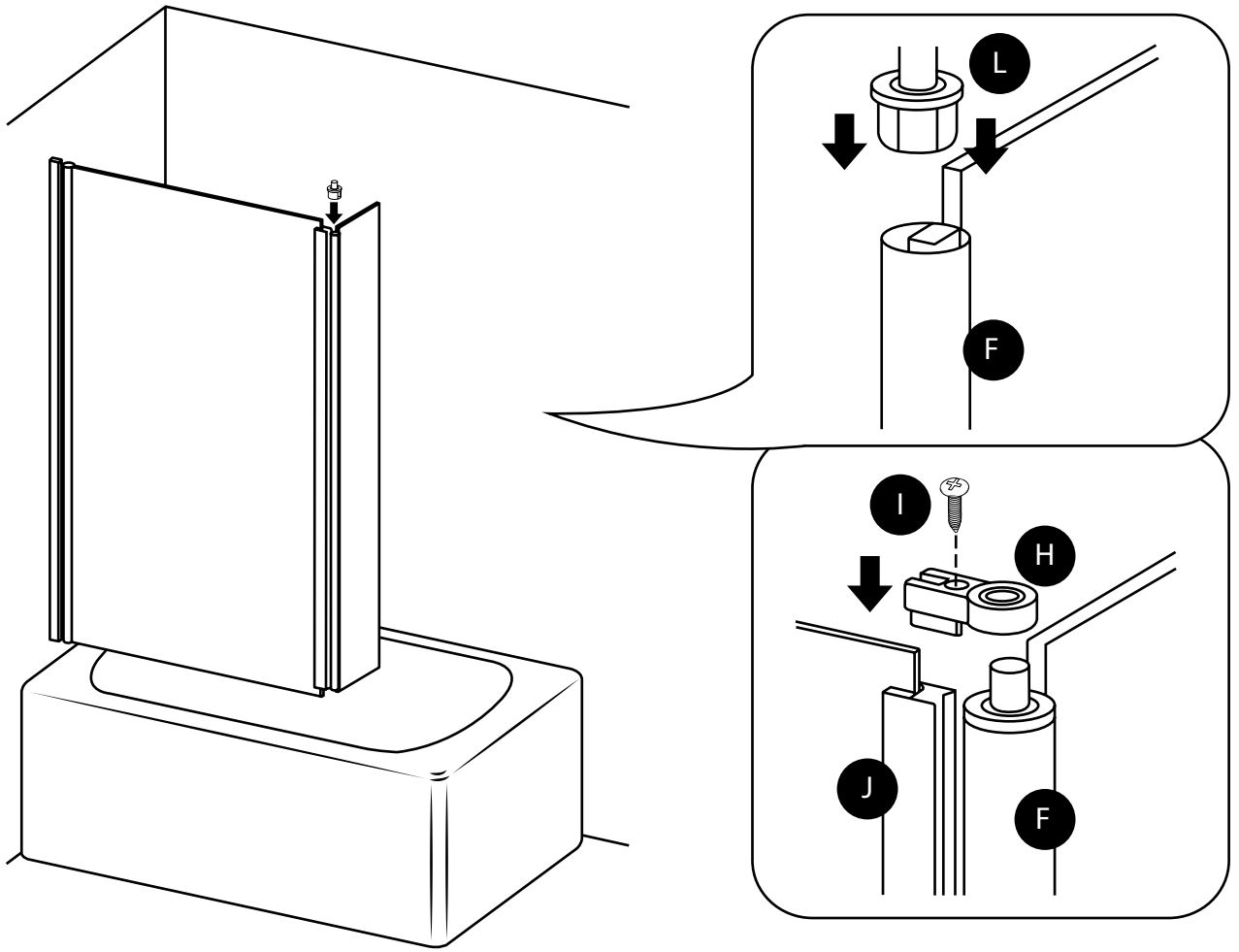
7



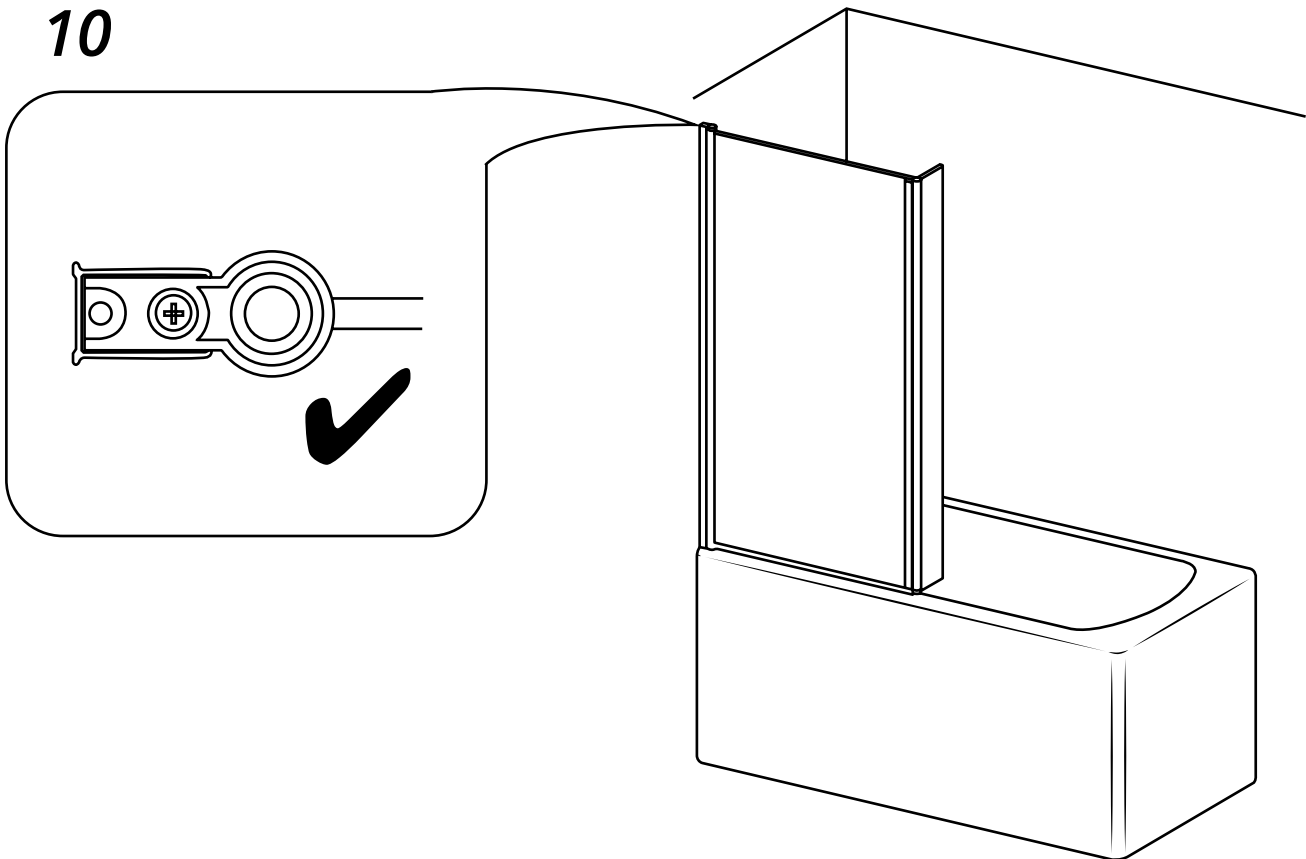
8



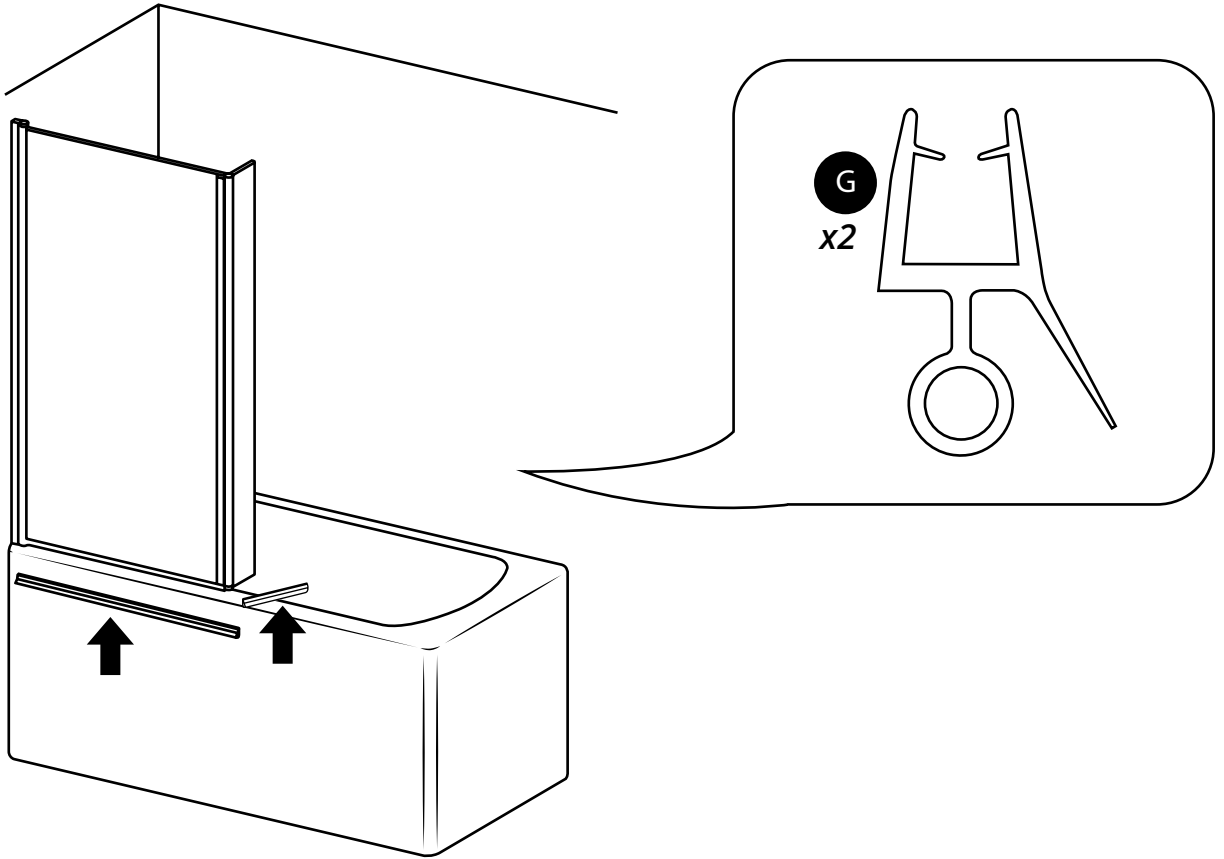
9



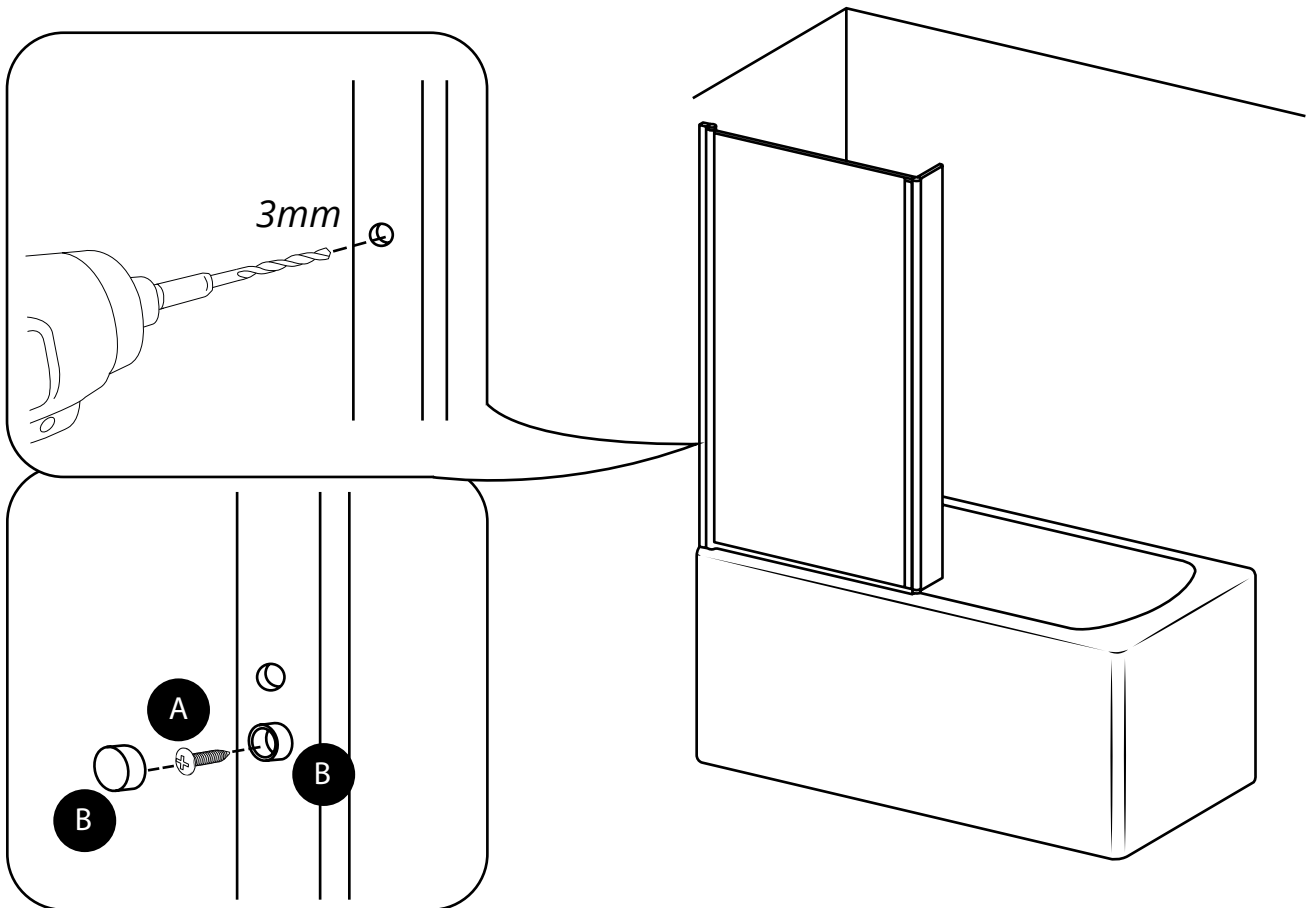
10



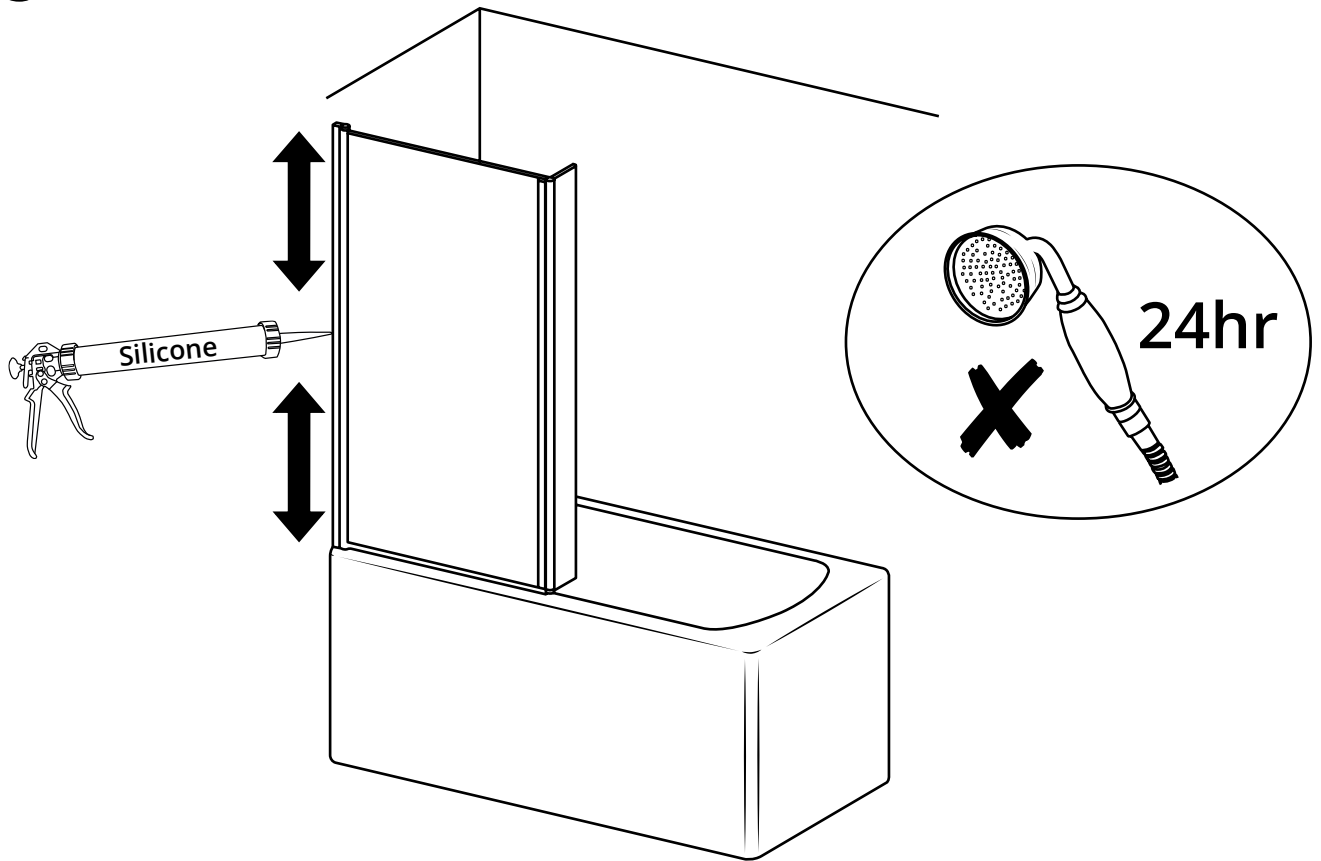
11



12



13



14

