



**2-IN-1 COMBINATION NAILER & STAPLER KIT  
CT0058**

**INSTRUCTION MANUAL**



**IMPORTANT:**



**please make certain that everyone who uses the pressure washer thoroughly reads and understands these instructions prior to operation.**



## EC DECLARATION OF CONFORMITY

We CANNON TOOLS LTD  
20 Station road, Rowley Regis, West Midlands, B65 0JU.U.K.

Declare that the following machine complies with the appropriate basic safety and health requirements of the EC Directive based on its design and type, as brought into circulation by us.

In case of alteration of the machine, not agreed upon by us, this declaration will lose its validity.

Product description:

2-IN-1 COMBINATION NAILER & STAPLER KIT

Model:

CT0058

Applicable EC Directives:

EC Machinery Directive 2006/42/EC

Harmonized standards

EN ISO 11148-13:2018

20 Station Road, Rowley Regis, West Midlands, B65 0JU.U.K.  
Mr. Gurcharan Tony Singh Sanghera  
Managing Director



2020-08.4

## SPECIFICATIONS

Brad Nails: 18 gauge 10 - 50mm

Staples: 18 gauge 16 - 40mm / Crown size 5.7mm

Air Inlet: 1/4"

Operating pressure: 4-8 bar

Supplied with starter pack 100 nails and 100 staple

### ● Important Safety Instruction

- Keep children away. All children should be kept away from the work area. Don't let them handle the tool.
- Use safety glasses and ear protection: the tool operator and all persons in the work area must permanently operate to prevent some foreign matter strike into eyes. Maybe the noise would harm your hearing, wear the ear protection to safeguard.
- Never wear loose clothing or jewelry as they can be caught in moving parts.
- Never use oxygen, combustible or any other bottle gas as a power source or would cause explosion and serious personal injury.
- Only connect tool to air supply with a coupling that will release all pressure from the tool when disconnected.
- Disconnect tool from air supply before finishing operation or performing maintenance.
- Do not aim the tool at anyone in case of danger while you are operating it and do not remain any fasteners in the channel when you finish your work.
- Do not soak tool with cleaning solution. Such solutions can damage internal parts.
- Do not place your hand or any part of your body in the fastener discharge area of the tool when connecting or disconnecting air supply.

## ● Using the Tool

### Power Source

1. This tool applies to normal air compressor and is designed to operate in clean, dry and compressed air at regulate pressures between 4~7bar.
2. Place two or three drops of air tool oil into the tool's air inlet at the beginning of workday and try it twice or three times.

### How to Use

**CAUTION:** Check and replace any damaged or worn components in the tool. The safety warning labels in the tool must also be replaced if they are not legible.

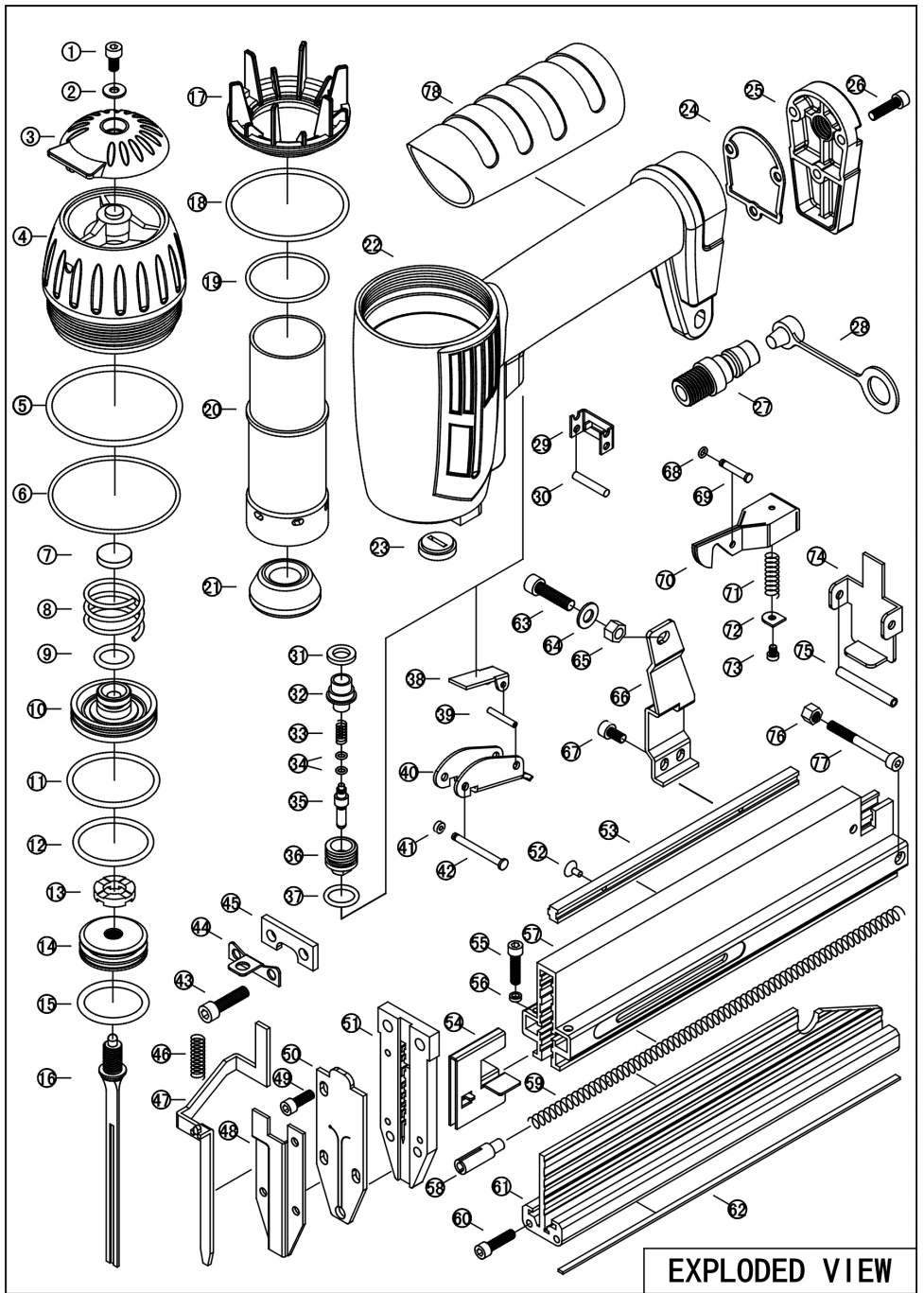
1. Attach a high flow pick connect fitting to the tool.
2. Empty the magazine.
3. Connect the tool to an air compressor using the air hose. Make sure the hose has a rated working pressure exceeding 200psi and a female quick coupler.
4. Regulate the air pressure to obtain 4 ~ 7 bar at the tool.
5. Disconnect the air supply from the tool.
6. Load fastener into your tool following the instructions this manual.
7. Reconnect the air supply to the tool.
8. Grip tool firmly and hold trigger while pushing the tool firmly against work surface.

## ● Lubrication and Maintenance

1. Disconnect the air supply from the tool before lubricating.
2. Your tool requires lubrication before you use it for the first time.
3. Wipe off excessive oil at the exhaust. Excessive oil will damage O-rings of tool. If in-line oiler is used, manual lubricating through the air inlet is not required on a daily basis.
4. Turn the tool so the inlet is facing up and put one drop of high-speed spindle oil. Never use detergent oil or additives. Operate the tool briefly after adding oil.

## ● Clearing A Jammed Fastener

- Disconnect air tool from air hose.
- Pull back the pusher until it latches at the end of the magazine.
- Remove Jammed fastener.
- Press the latch button and slide the pusher forward.



EXPLODED VIEW

INDER NO.	DESCRIPTION	INDER NO.	DESCRIPTION
1	HEX. SOC. HD. BOLT (M4x12)	41	O-RING
2	WASHER	42	PIN
3	EXHAUST CAP	43	HEX. SOC. HD. BOLT (M5x20)
4	CYLINDER CAP	44	SPRING SEAT
5	O-RING	45	WASHER
6	O-RING	46	SPRING
7	SECELING WASHER	47	SAFETY SYSTEM
8	SPRING	48	SAFETY COVER
9	O-RING	49	HEX. SOC. HD. BOLT (M4x8)
10	HEAD VALVE	50	DRIVER GUIDE COVER
11	O-RING	51	DRIVER GUIDE
12	O-RING	52	BOLT
13	SECELING WASHER	53	STICKER PLATE
14	PISTION	54	PUSHER
15	O-RING	55	HEX. SOC. HD. BOLT (M4x15)
16	DRIVER	56	BOLT SEAT
17	COLLAR	57	MAGAZINE A
18	O-RING	58	SPRING SEAT
19	O-RING	59	PUSHER SPRING
20	CYLINDER	60	BOLT
21	BUMPER	61	MAGAZINE B
22	GUN BODY	62	INSERT WIRE
23	WASHER	63	HEX. SOC. HD. BOLT (M5x20)
24	SECELING GASKER	64	WASHER
25	END CAP	65	SCREW
26	HEX. SOC. HD. BOLT (M4x16)	66	SUPPORT SEAT
27	AIR PLUG	67	HEX. SOC. HD. BOLT (M4x6)
28	PLUG	68	O-RING
29	STAND	69	PIN
30	PIN	70	RELEASE HANDLE
31	O-RING	71	SPRING
32	TRIGGER VALVE SEAT	72	SPRING SEAT
33	SPRING	73	BOLT
34	O-RING	74	FIXED SEAT
35	VALVE STEM	75	PIPE GUIDE
36	TRIGGER VALVE GUIDE	76	SCREW
37	O-RING	77	HEX. SOC. HD. BOLT (M4x40)
38	SECOND TRIGGER	78	RUBBER HANDLE CASE
39	PIN	79	
40	TRIGGER	80	

CANNON TOOLS LTD

Add: 20 station road, Rowley Regis, west midlands, B65 0JU.U.K.

Made in China