

ACT2041 - Pillar

Product Finish: Chrome

EAN13 barcode: 5060048383058



Product features:

- Metal construction throughout
- Durable compression valve design
- Custom designed for lower to mid pressures
- Supplied with fixed 1/2" inlets
- Luscious quality chromium plate finish

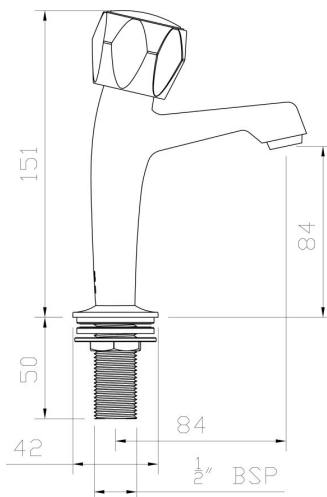
Additional information / Parts included:

4 x 38x3mm black rubber gasket, 2 x 1/2" BSP F 40mm diameter 24mm a/f brass fixing back nuts

Primary WRAS fittings number (see www.wras.co.uk):

1906306

Product dimensions:



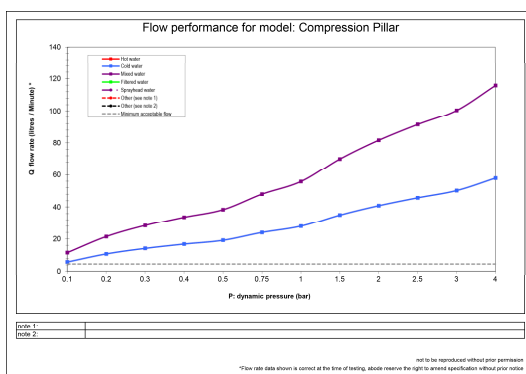
- Overall Height / projection: 151 mm
- Exit reach: 84 mm
- Exit height: 84 mm
- Centre distance(s): n/a
- Base diameter(s): 42 mm
- Recommended hole diameter: Ø 30-32 mm
- Max. surface depth: 25 mm
- Spout diameter: n/a mm
- Spout aerator size: M16 x 1 F

Packaged properties:

Box length: 230 mm
Box width: 150 mm
Tap only weight: 0.82 kg

Box depth: 50 mm
Units per outer: 12
Boxed weight: 0.95 kg

Product flow characteristics:



- Min / Max water pressure: 0.10 / 5.5 bar
- Recommended / Max water temperature: 46°C / 70°C
- Part G - Mixed flow rate at 3 bar (litres / min): 100.40

- Control valve type: 1/2" Compression
- Flow characteristics: Single flow
- Non return valve(s): None

- Aerator type: Flow Straightener
- Spout connection method: N/a

- Tail pipe inlet / outlet size: n/a / 1/2" BSP Male/ 15mm ID
- Inlet pipe type / length: Fixed threaded inlets / 50 mm

Care instructions summary:

- Clean the mixers and showers regularly as required, using soap, do not use any other cleaners.
- Regular cleaning will prevent the build up of lime scale and dirt
- After cleaning rinse thoroughly with clean water to remove any cleaner residue
- Residues of sink & worktop cleaners can also cause damage, so rinse with clean water after using, avoid contact with any abrasives

Warranty Summary (Full details available on request):

- Materials and workmanship defects warranted for 5 years
- Valves and working parts warranted for 5 years
- Surface warranty defects warranted for 1 year
- O-rings, hoses & gaskets warranted for 1 year