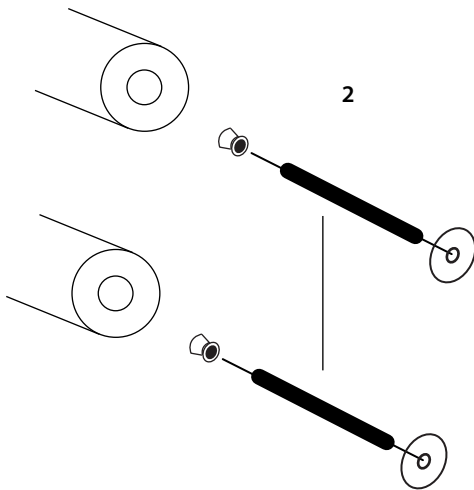
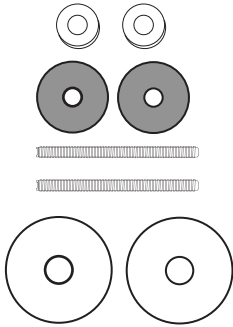


BOLT THROUGH FIXING (ONE SIDE ONLY)

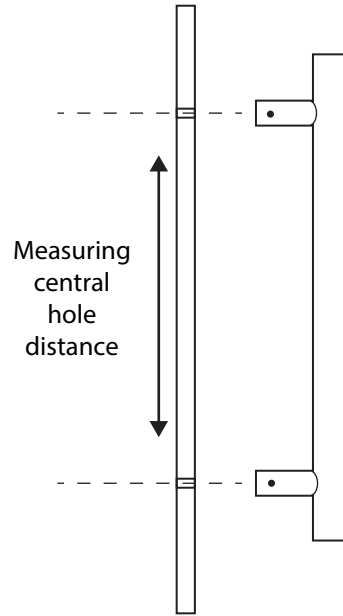
COMPONENTS

Straight fixing offset handle

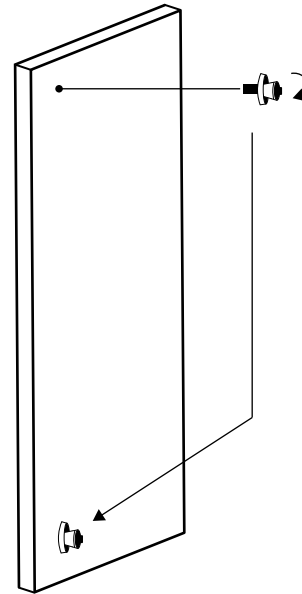


1

Wooden door / Frame door



3



INSTRUCTIONS

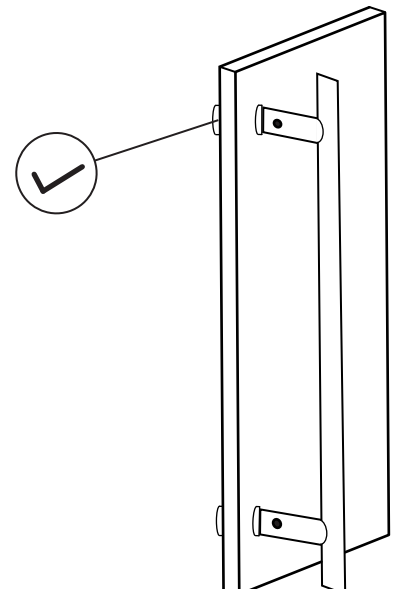
- 1) Measure the suitable distance and drill the holes 1-2mm larger than the bolt diameter. Refer to page 1 for the hole centres.

- 2) Partially screw the 80mm bolts into the brass reducers and put the brass reducers into the legs of the handle. Tighten up the grub screws on the legs of the handle to secure the brass reducers.
Feed the plastic washer through the bolt.

- 3) Adjust the bolts to the length you require by threading them into the brass reducer. Leave enough thread on the bolt to secure with the securing caps.

- 4) Finally, fix the handle using the 2 threaded securing caps. Insert an Allen key into the side of the cap and tighten up firmly.

4

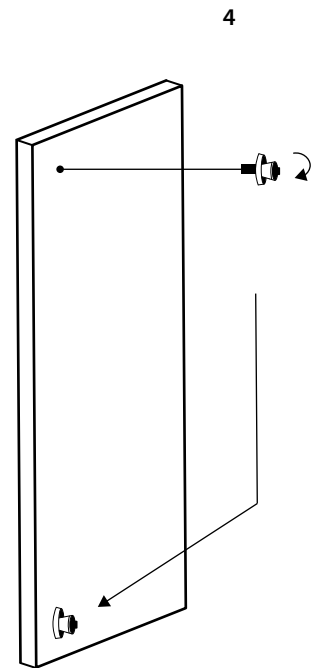
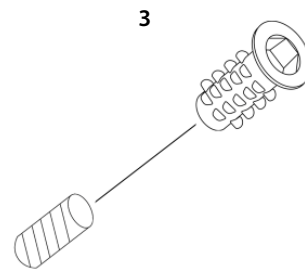
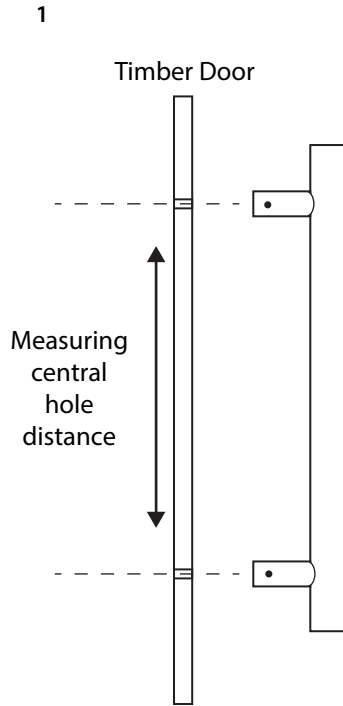
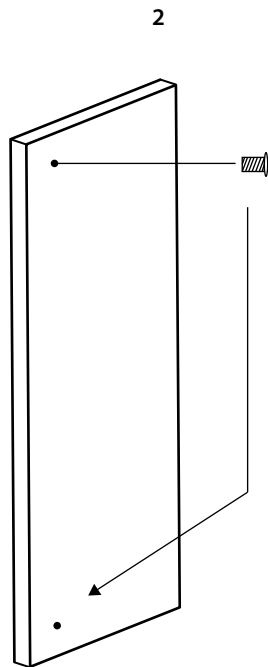
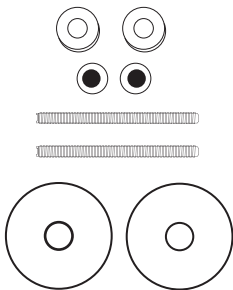


HIDDEN FIXING (TIMBER DOOR ONLY)

Recommended for light use. Use bolt through for a stronger option.

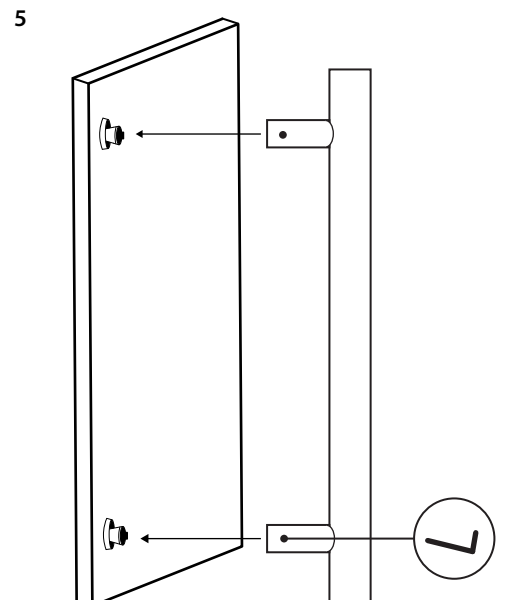
COMPONENTS

Hidden fix offset handle



INSTRUCTIONS

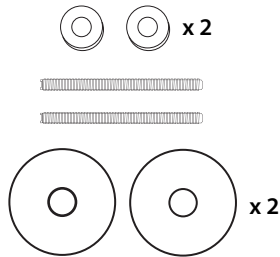
- 1) Measure the suitable distance and drill 2 holes to 10mm diameter. Refer to page 1 for the hole centres.
- 2) Screw the threaded insert nut into the door using an Allen key.
- 3) Screw the 45mm bolt into the insert bolt. Use an Allen key to tighten it up firmly.
- 4) If you prefer, you can use the 2 plastic washers. Simply feed them onto the side of the door where the handle will sit. Screw the brass reducer onto the bolts above the plastic washer.
- 5) Feed the handle onto the brass reducers and tighten up the grub screws on the sides of the handle legs.



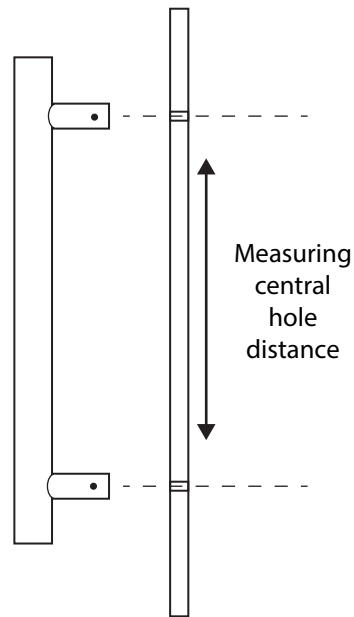
**BACK TO BACK FIXING
(2 HANDLES REQUIRED)**

COMPONENTS

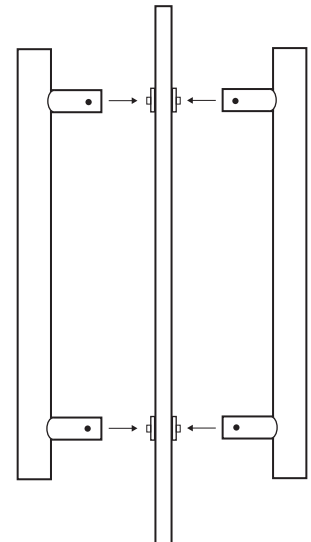
Back to back offset handle



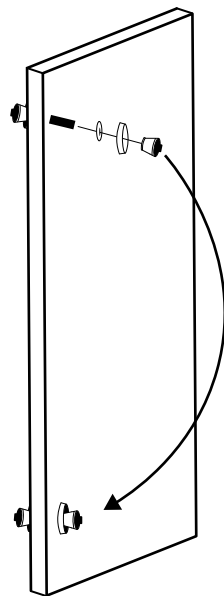
1



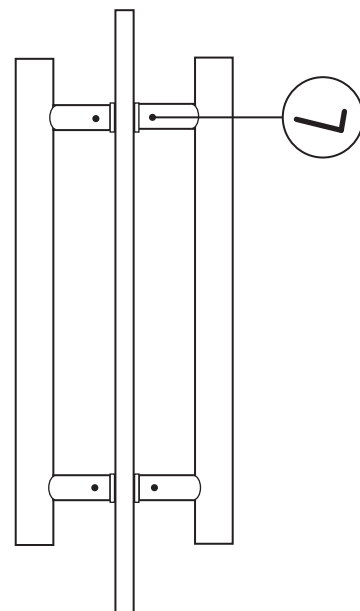
3



2



4



INSTRUCTIONS

- 1) Measuring the suitable distance, the holes should be 1-2mm larger than the bolt diameter. Refer to page 1 for the hole centres.

- 2) Screw the 80mm bolts onto a set of brass reducers. The bolt is suitable for most popular door thicknesses but may need to be cut for glass. Feed the plastic washers over the bolt. (The plastic is strongly recommended for glass).

- 3) Feed the bolts into the holes in the door and screw the brass reducer on from the other side. Remember to include the plastic washer.

- 4) You can now fix both sides of the handle. Secure each leg firmly with both grub screws.