

DRYZONE[®]

IN-LINE FAN KIT TIMER

FG-A00329-001

Installation Manual

Timer • White • 100mm



Thank you for choosing Dryzone[®]

Read all safety instructions before installing the unit.
After installation, keep this guide for future reference.

DO NOT DISCARD

**DRYING
HOMES**
FOR OVER
40
YEARS
EST 1983

Contents

Glossary	4
About In-line Timer Extractor Fans	5
Box Contents	6
Additional Items You WILL Need	6
Additional Items You MAY Need	6
Product Diagrams and Features	7
Safety Instructions	8
WARNING	8
Wiring	9
Pre-Installation Checklist	9
Installation	10 – 15
Fan Installation	10
Ducting Installation	13
Operating Instructions	16
Adjusting the Timer	16
Cleaning	17
Storage Safety	18
Warranty	18
Troubleshooting	19
Specifications	19

Before installing this product, consideration could be given to reference to relevant guidelines, legislation and best practice documentation for overall guidance.

Listed here are suggested documents applicable to building work carried out in England, however this is not an exhaustive list. Other relevant documents should be considered.

Separate relevant documents are available for countries other than England.

BS 5250:2021 Management of moisture in buildings

The Building Regulations 2010 Approved Document F Volume 1: Dwellings & Volume 2: Buildings other than dwellings

The Building Regulations 2010 Approved Document L – Conservation of fuel and power Volume 1: Dwellings

The Building Regulations 2010 Approved Document B – Fire Safety Volume 1: Dwellings 2019 edition incorporating 2020 and 2022 amendments

The Building Regulations 2010 Approved Document J – Combustion appliances and fuel storage systems 2010

The Building Regulations 2010 Approved Document P – Electrical safety – Dwellings 2013

NHBC Technical Standards

PAS 2035:2019 Retrofitting dwellings for improved energy efficiency

PCA Guidance Document: Positive Input Ventilation (PIV) Systems Issue 3 – June 2021

PCA Endorsed Joint Position Statement from Ventilation System Suppliers & Supporters – 1st Edition

IET Wiring Regulations, 18th Edition Amendment 2 (BS7671:2018+A2:2022)

Glossary

Class II Appliance: electrical device that has double insulation and does not require a connection to electrical earth (ground).

Condensate Trap/Water Trap (not supplied): a device used to collect and discharge condensate (moisture) in vertical installations to prevent water damage or fan failure.

Flexible Ducting: a bendable, extendable form of ducting used to navigate complex paths during installation.

Ingress Protection (IP45 / IPX4): a rating indicating protection against solid objects and water splashes.

Isolator: a switch used to disconnect the fan from the mains supply; must have a contact separation of at least 3 mm.

Overrun Timer: a feature that keeps the fan running for a set duration after the power source (e.g. bathroom light) is turned off.

Spigot: the cylindrical part of the fan designed to fit inside ducting.

Switched Live: a wire that carries current only when a connected switch is on.

Terminal Block: the internal connection point for live, neutral, and earth wires within the fan.

Unswitched Fuse Spur: a fixed wiring connection point with an integrated fuse, used to safely power the fan.

Vent Bracket: a support fixture used to attach either the interior or exterior vent securely to a surface.

Wet Rooms: areas of high humidity such as bathrooms, kitchens, or utility rooms, where ventilation is essential to prevent mould and condensation.



This symbol indicates that used electrical and electronic devices should not be disposed of with general household waste. Please take your device to designated recycling points, where it will be accepted free of charge. Alternatively, you may be able to return it to the retailer where you purchased it. Contact your local authority for more information on recycling facilities. Proper disposal helps conserve valuable resources and prevents potential harm to human health and the environment from improper waste handling.

About In-line Timer Extractor Fans

The **Dryzone® In-Line Fan Kit Timer White 100mm** is a type of intermittent fan used in domestic and commercial applications to remove moist, stale air from wet rooms. It is designed to be discreet - installed within the ceiling void or loft space, ensuring quieter operation for residents compared to wall/ceiling fans.

The **Dryzone® In-Line Fan Kit Timer White 100mm** has been developed to improve indoor air quality and resolve condensation and mould problems. The built-in timer overrun function allows the fan to continue operating for a pre-set period after the light/switch is turned off. It is recommended that the fan and ducting are regularly cleaned.

The fan is rated for connection to single-phase AC power mains. Power supply parameters are stated on the unit packaging and the label on the unit casing.

Ingress protection rating against access to hazardous parts and water ingress is IPX4.

ATTENTION! The IP rating is indicated for an assembled unit.

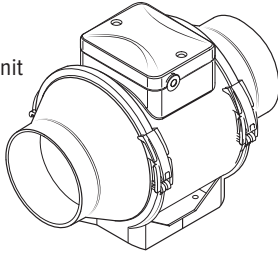
The fan is rated for operation at ambient temperature from +1 °C up to +40 °C.

WARNING! Do not operate the fan outside the specified temperature range.

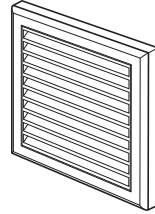
The unit is rated as a Class II (220-240 V, 50 Hz) electrical appliance and does not need to be earthed.

Box Contents

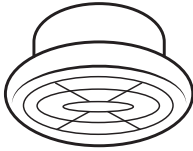
- 1 × Dryzone®
In-Line Fan Unit



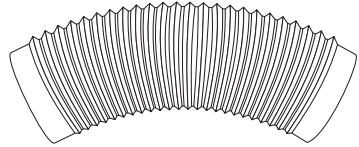
- 1 × Exterior
Vent



- 1 × Interior Vent



- 1 × Flexible Ducting (100 mm)



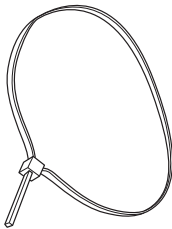
- 4 × Screws



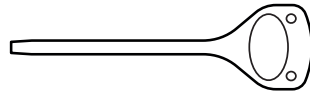
- 4 × Wall Plugs



- 4 × Cable Ties



- 1 × Adjustment Tool



Additional Items You WILL Need

- | | |
|--|--|
| <input type="checkbox"/> Cordless drill | <input type="checkbox"/> Pliers |
| <input type="checkbox"/> Suitable drill bits | <input type="checkbox"/> Wire clippers |
| <input type="checkbox"/> Spirit level | <input type="checkbox"/> Electrical screwdrivers |
| <input type="checkbox"/> Goggles and PPE | <input type="checkbox"/> Utility knife |
| <input type="checkbox"/> Pencil/pen | <input type="checkbox"/> Tape measure |

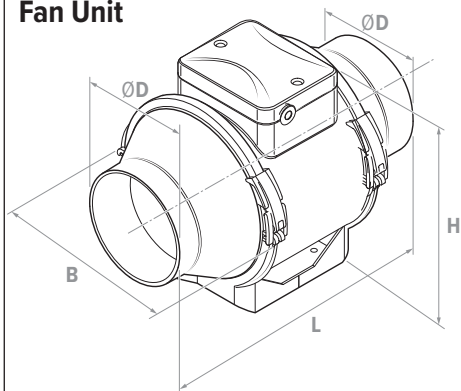
Additional Items You MAY Need

- 100 mm core drill

Product Diagrams and Features

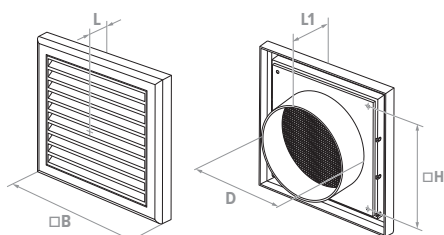
ALL DIMENSIONS ARE IN MILLIMETRES (mm)

Fan Unit



ØD	B	H	L
96	167	190	246

Exterior Vent

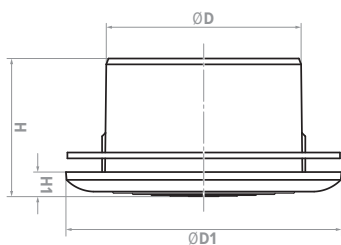


FRONT

BACK

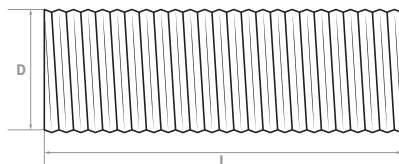
□B	□H	L	L1	D
154	110	15	45	100

Interior Vent



D	D1	H	H1
100	141	71	12.5

Exterior Vent



D	L
100	3000*

* A maximum of 1.5 m (1500 mm) of flexible ducting should be used in order to adhere with building regulations Part F Volume 1: Dwellings

Safety Instructions

Read and understand these instructions prior to installation.

- The device must be installed in compliance with The Building Regulations 2010: Approved Document F.
- Ventilation must be installed by a competent, qualified person and signed off by your local authority Building Control department.
- THIS DEVICE IS NOT INTENDED FOR USE BY CHILDREN. Keep away from small children and pets.
- This device is not intended for use by persons with reduced physical, sensory or reasoning capabilities or lack of experience or knowledge unless they have been given supervision or instruction concerning the use of the device by a person responsible for their safety.
- This device is intended for domestic household and indoor use only. Do not use outdoors. Keep away from liquids.
- Only turn on the device, once it has been wired in accordance with relevant regulations including the current version of BS 7671.
- Only use this device with supplied accessories and official Dryzone® replacement parts.
- Do not allow foreign objects to enter the ventilation or exhaust opening as this may cause electric shock or damage to the device. Do not block air outlets or intakes.
- Do not cover the device while in use.
- Always follow basic precautions when using the device to reduce the risk of fire, electric shock and injury.
- If the device is supplied with damage to any components, or becomes damaged during use, do not use, isolate electrically if necessary, and immediately contact Safeguard Europe Customer Support for advice.
- The power must be turned off prior to all installations, servicing and repair works.

WARNING

- Failure to comply with these instructions could result in fire, damage to property, serious injury or death.
- The device is not user serviceable. Do not attempt to repair the product yourself. In the event of failure, contact Safeguard Europe Customer Support.
- All wiring must comply with Building Regulations and the current IET Wiring Regulations (BS 7671 in the UK) or equivalent standards for other countries. The final installation should be examined and tested by a qualified electrician.
- This product is not suitable for use with a Type AC RCD.
- The device must not affect the operation of open-flue appliances. Consult local regulations; The Building Regulations 2010: Approved Document F: Ventilation; The Building Regulations 2010: Document L: Conservation of fuel and power or a qualified gas engineer.
- Take steps to prevent ingress of smoke, carbon monoxide, and other combustion products into the room through open chimney flues or other fire-protection devices. Sufficient air supply must be provided for proper combustion and exhaust of gases through the chimney of fuel burning equipment to prevent back drafting. Transported air must not contain any dust or other solid impurities, sticky substances or fibrous materials.

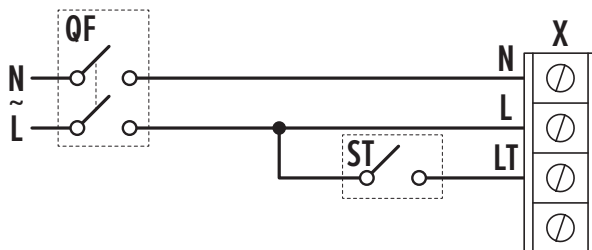
Wiring

Fans with a timer require a switched live, permanent live and neutral mains voltage connection to function. For most installations, the electrical supply is provided from the lighting circuit.

Please see the diagrams below:

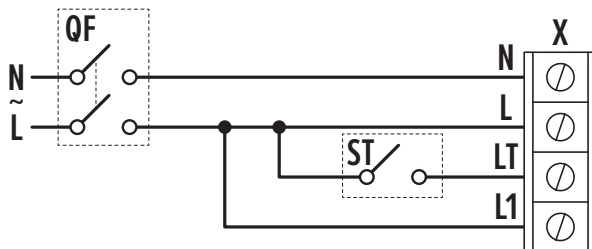
HIGH SPEED

187 m³/h



LOW SPEED

145 m³/h



Pre-Installation Checklist

- Check that the device fits in the area selected.
- Check there are no obstructions in the wet room where the fan is to be fitted and where the ducting is to be installed.
- Check for open-flued combustion appliances — refer to The Building Regulations: 2010: 'Approved Document J: Combustion appliances and fuel storage systems' and The Building Regulations: 2010: 'Approved Document F: Ventilation: Volume 1 - Dwellings' for guidance.
- Check if the presence of asbestos is possible: refer to the HSE publication 'Managing and working with asbestos – Control of Asbestos Regulations 2012' for guidance.
- Ensure power has been isolated.

Installation

These instructions assume that a qualified person has:

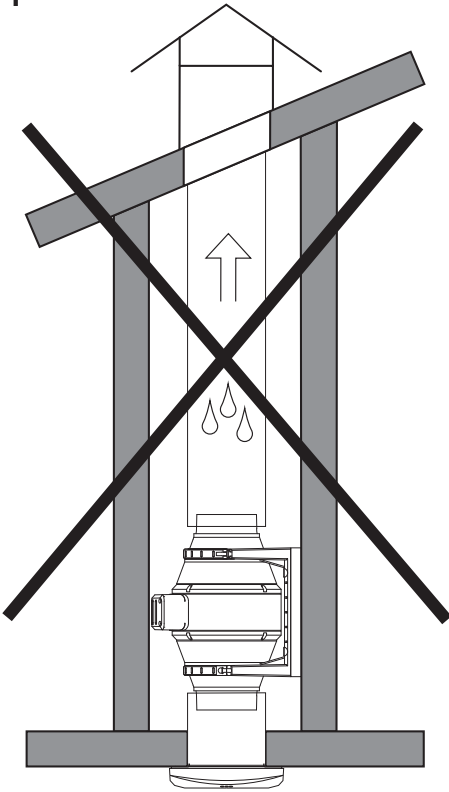
- Determined the ventilation needs of the property.
- Prepared a suitable size core drill hole or one already exists.
- Has installed or plans to re-use either flexible or rigid ducting of the correct diameter.
- Has sited wiring using a suitable method and in a suitable location.
- Depending on the installation, installed an exterior grille.

The Dryzone® inline timer fan is designed for mounting inside a round $\text{\O}100$ mm hole.

Use a piece of either flexible or rigid ducting, with the correct diameter, to facilitate mounting.

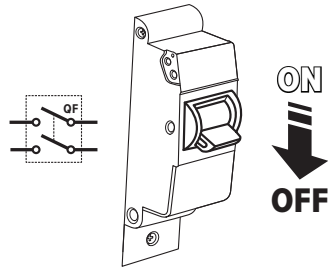
FAN UNIT

1



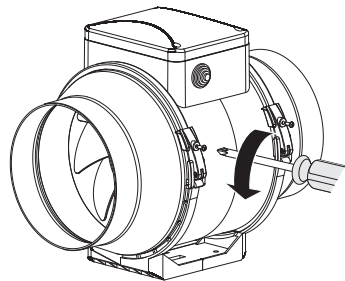
If the fan is being vertically mounted with ducting to the outside, then a condensate or water trap should be installed to protect against water and condensation collecting inside the fan.

2



Ensure electricity has been turned off.

3

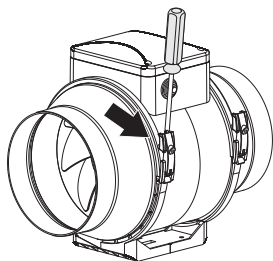


Unscrew the two clamps.

Installation

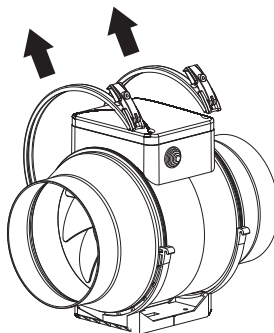
FAN UNIT (CONTINUED)

4



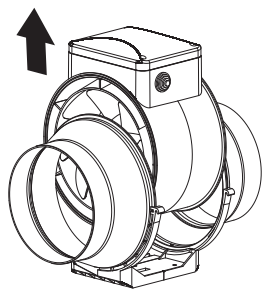
Open the clamps using a flathead screwdriver.

5



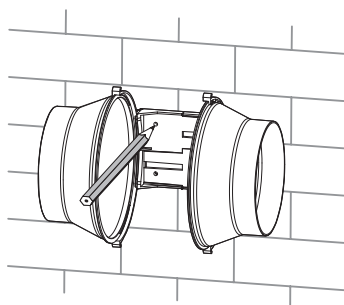
Slide the clamps off the fan.

6



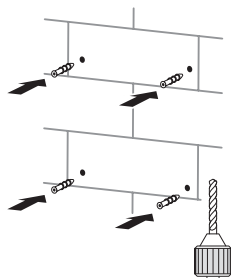
Slide the centre of the fan out to reveal the fixing bracket.

7



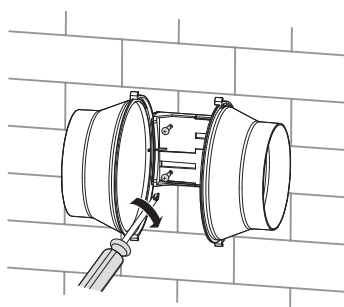
Mark the holes for fixing the fan.

8



Drill the mounting holes and install the wall plugs.

9

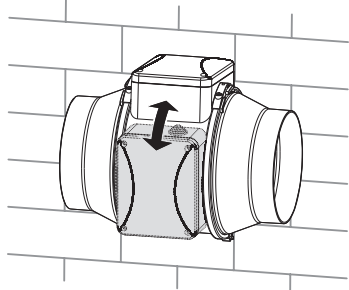


Fix the fan with the screws.

Installation

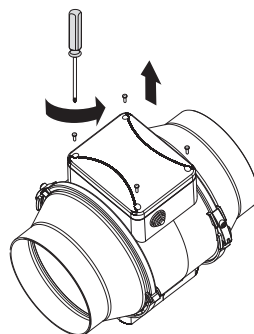
FAN UNIT (CONTINUED)

10



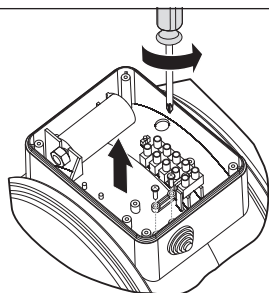
Slide the centre of the fan back in and secure the clamps.

11



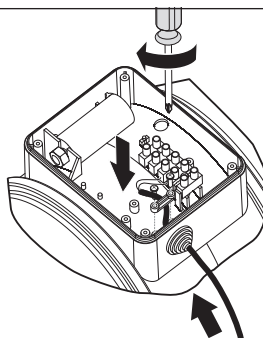
Remove the cover to access the terminal block.

12



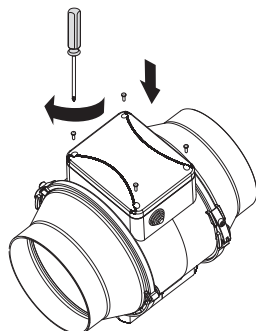
Remove the cable holder and use a utility knife to cut a hole at the cable entry.

13



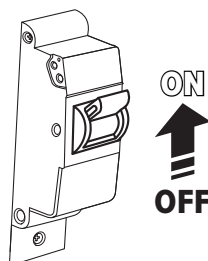
Connect the fan to power mains according to the wiring diagram and secure the cable.

14



Re-attach the cover.

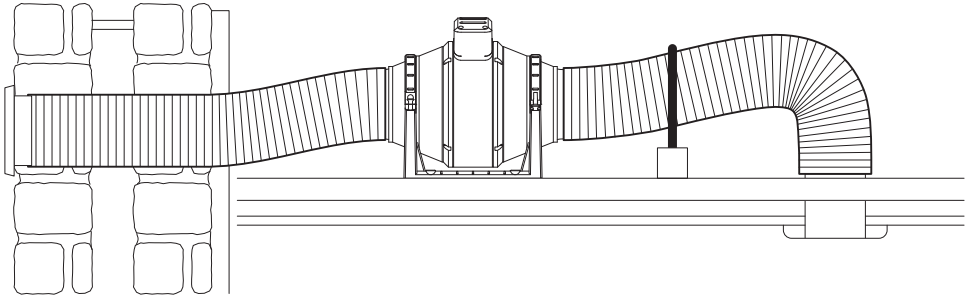
15



Supply power to the fan.

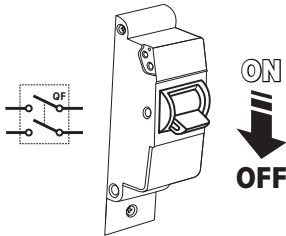
Installation

DUCTING



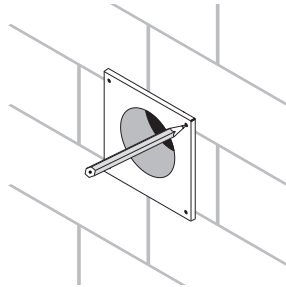
- Always support flexible ducting to stop sagging.
- Support every 400 mm is advised.
- Flexible ducting must be pulled/extended to a minimum of 90% of its total length.
- Ducting must not be compressed or restricted and should be installed in straight lines where possible.
- A maximum of 1.5 m (1500 mm) of flexible ducting should be used in order to adhere with building regulations Part F Volume 1: Dwellings.

1



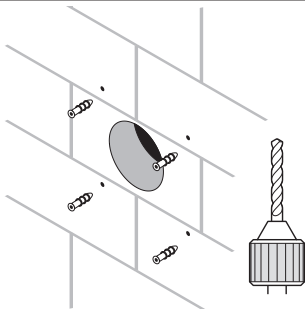
Ensure electricity has been turned off.

2



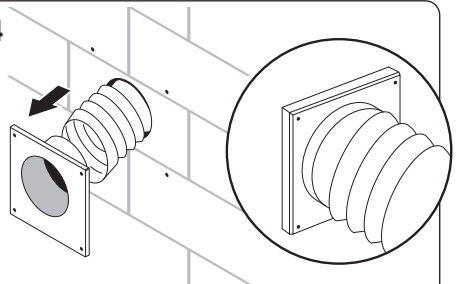
Use the vent bracket to mark the holes for fixing the exterior vent.

3



Drill the mounting holes and install the wall plugs.

4

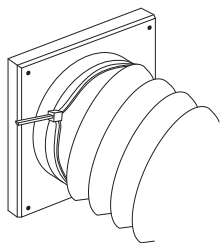


Insert the ducting and attach the exterior vent bracket to the front.

Installation

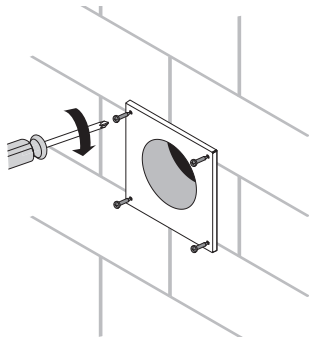
DUCTING (CONTINUED)

5



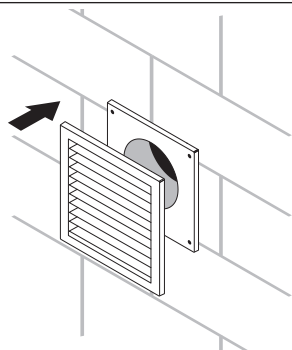
Cable tie the ducting to the exterior vent bracket.

6



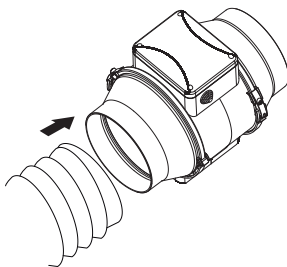
Screw the vent bracket to the wall.

7



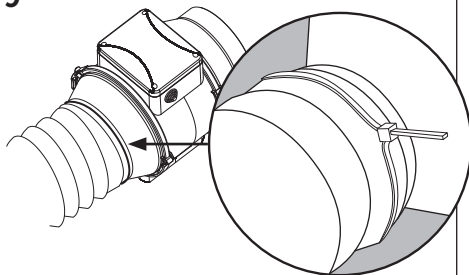
Attach the exterior grille.

8



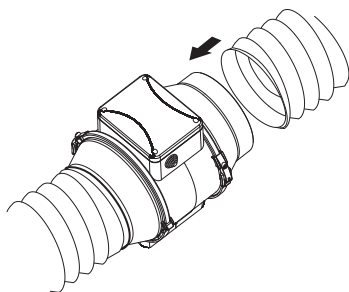
Attach the free end of the ducting to the fan.

9



Cable tie the ducting to the fan.

10

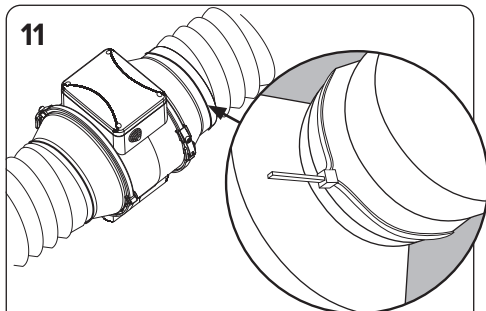


Attach the other piece of ducting to the other side of the fan.

Installation

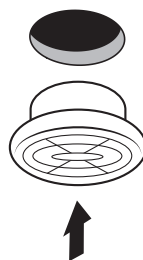
DUCTING (CONTINUED)

11



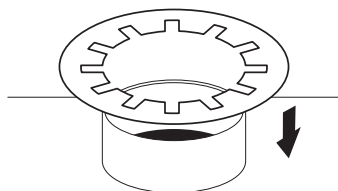
Secure the ducting to the fan with cable ties.

12



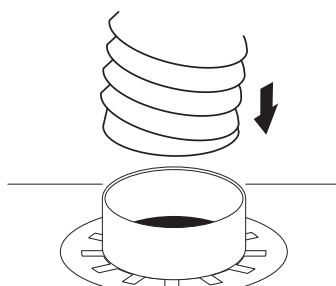
Insert the front half of the interior vent into the pre-drilled hole.

13



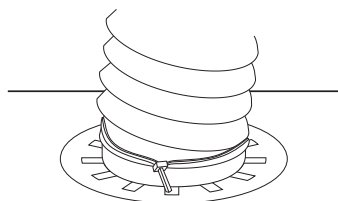
Attach the interior vent bracket to the back of the interior vent.

14



Attach the free end of the ducting to the back of the interior vent.

15



Secure the ducting to the back of the interior vent with cable ties.

16

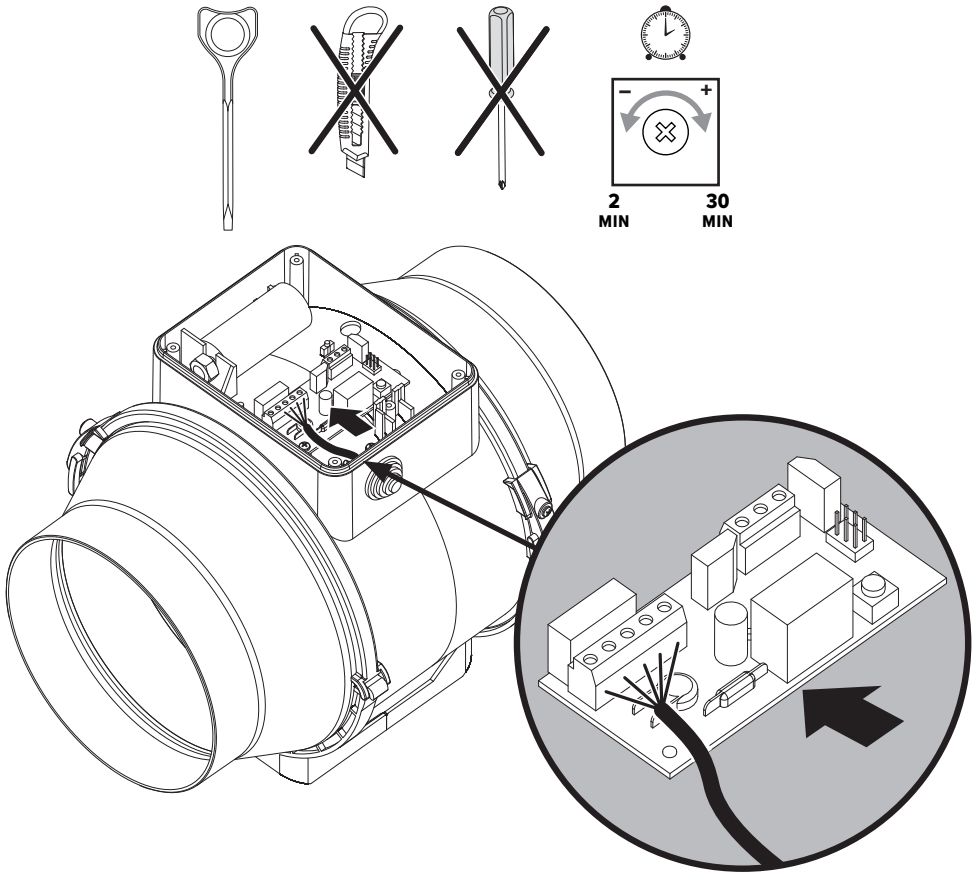


Supply power to the fan.

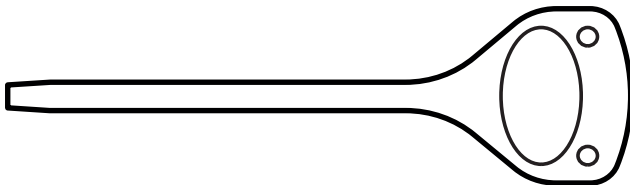
Operating Instructions

ADJUSTING THE TIMER

Disconnect the power supply before making any changes or adjustments to the timer.



To adjust the timer settings, use the plastic adjustment tool provided.



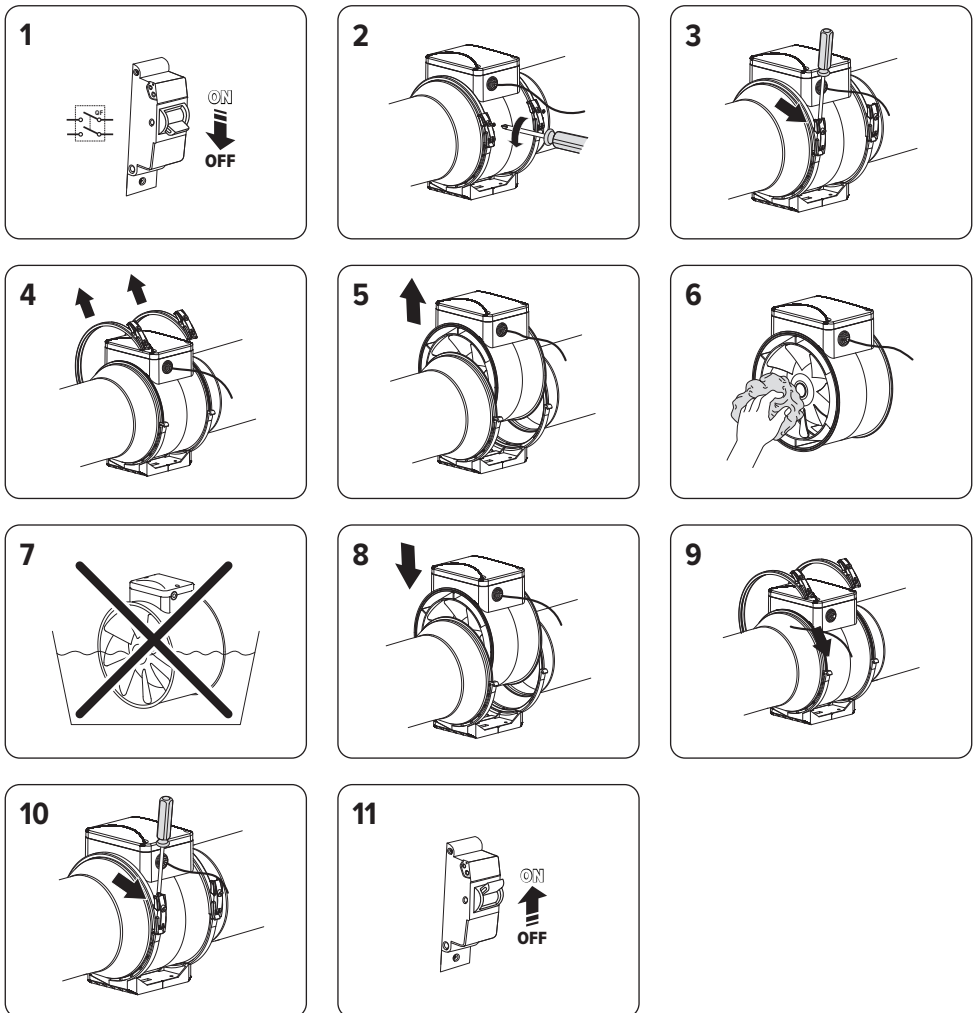
Run-on setting is adjustable from 2 to 30 minutes.

TURN CLOCKWISE = Longer Delay

TURN ANTI-CLOCKWISE = Shorter Delay

Cleaning

- Prior to any servicing and maintenance, the power must be turned off.
- Maintenance means regularly cleaning dirt and dust from the fan. To ensure optimal performance of the fan, it is recommended that you clean it once a month.
- To clean the fan, remove the clamps to reveal the impeller of the fan.
- Wipe the impeller and accessible surfaces with a damp cloth (a small amount of washing up liquid can be used), then wipe the surfaces dry.
- Ensure the cloth is damp, not wet, to avoid water dripping on the motor/circuit board.
- Replace the impeller and clamps and turn the power back on. If the fan makes any unusual noises, please refer to the troubleshooting section.



Storage Safety

- Store the unit in its original packaging in a dry, closed and ventilated room at a temperature between 5 °C and 40 °C and at a relative humidity of up to 70%.
- The storage environment must not contain aggressive vapours and chemical mixtures provoking corrosion, insulation and sealing deformation.
- The unit can be carried in the original packaging by any mode of transport provided proper protection against precipitation and mechanical damage. The unit must be transported only in the working position.
- Avoid sharp blows, scratches or rough handling during loading and unloading.
- After transportation at low temperatures, allow the unit to warm up at operating temperature for at least 3 – 4 hours prior to the initial power-up.

Warranty

We appreciate you choosing this quality Dryzone® product, which is designed and manufactured to the highest specification. We are confident that you will be delighted with the performance of the system and the resulting air quality improvement in your home after the installation of the device.

This device is covered by a full 5-year warranty.

The warranty covers any defect or breakdown that arises due to faulty materials or construction. Please note that a receipt will be required as proof of purchase. This device can only be used with official Dryzone® parts, supplied by Safeguard Europe Ltd. Repairs with parts from any other source voids this warranty.

The warranty does not cover any labour.

Please make a note of your unit serial number:

For warranty conditions and exclusions, visit: www.safeguardeurope.com/warranty

Troubleshooting

Please troubleshoot, using the table below, before contacting Customer Support:

MALFUNCTION	PROBABLE REASONS	REMEDY
Fan does not power on	The power is not connected properly	Ensure the connection is fixed
	Internal connection failure	Contact Safeguard
Low airflow	Clogged ventilation system	Clean the fan and ducting where possible
The fan is noisy	Clogged impeller	Clean the impeller
	The fan is not secured/mounted properly	Fix the installation error
	Clogged ventilation system	Clean the fan and ducting where possible

Specifications

Voltage [V]	220 – 240
Frequency [Hz]	50
Max. power [W]	28
Max. air capacity [m/h]	187
Ingress Protection Rating	IPX4
Weight [kg]	1.45
Operating Noise [db(A)]	27 – 36 at 3 metres

DRYZONE®

UK: Safeguard Europe Ltd.,
Redkilyn Close, Horsham, West Sussex, RH13 5QL.

T +44 (0)1403 210204

F +44 (0)1403 217529

E info@safeguardeurope.com

DE: Safeguard Europe GmbH,
Hamburger Straße 11, 22083 Hamburg, Deutschland.

T +49 40 87407563

F +49 4822 3657868

E info@safeguardeurope.de

