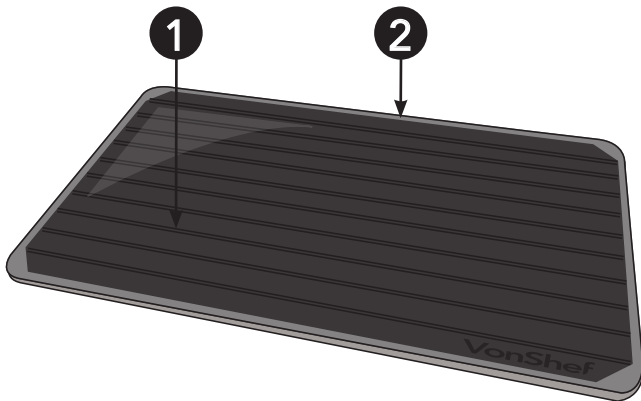


1507804



1. DEFROST TRAY.
2. SILICONE RIM.



WARNINGS & PRECAUTIONS

Do **NOT** refrigerate.

Do **NOT** place the Defrost Tray in ovens, microwaves or on hobs.

Wash hands and surfaces thoroughly with warm soapy water before and after handling meat and other fresh foods.

Keep fresh meat and meat juices away from other foods during thawing and preparation.

Never place cooked foods on the Defrost Tray with food that is thawing.

USAGE

- The VonShef Defrost Tray is extremely easy to use, harnessing the naturally conductive properties of aluminium to absorb ambient heat, and using this heat to speed up the defrosting process of foods placed on top of it.
- All you need to do is to place the food evenly on top of the **TRAY** (removing packaging beforehand).
- The **SILICONE RIM** helps prevent any defrosted juices from dripping off the **TRAY**.

NOTE: Defrost time will vary depending on thickness of the food.

TIP: Turning the food may help speed up the thawing process.

NOTE: This Defrost Tray can be used to speed up the defrosting of items in containers, however please be aware that this will take longer.

CAUTION: Do not use metal utensils (knives, spatulas etc.) on the Defrost Tray as this may damage the surface, affecting the performance.

 **WARNING!** As always, take precautions when handling raw food.

CLEANING & MAINTENANCE

- Remove the **SILICONE RIM** from around the **TRAY** and leave both to soak in warm soapy water. Scrub clean using a soft cloth or sponge.
- Make sure the **TRAY** and **SILICONE RIM** are thoroughly dry before putting back together.
CAUTION: Do not use abrasive cleaning products which may cause damage to the surface of the Defrost Tray.

CUSTOMER SERVICES

If you are having difficulty using your product and require support, please contact: support@domu.co.uk

DISPOSAL INFORMATION

Please recycle where facilities exist. Check with your local authority for recycling advice.

WARRANTY

To register your product and find out if you qualify for a free extended warranty, go to:

www.VonShef.com/warranty

Please retain a proof of purchase receipt or statement as proof of the purchase date.

The warranty only applies if the product is used solely in the manner indicated in this manual and all instructions have been followed accurately. Any abuse of the product or the manner in which it is used will invalidate the warranty.

Returned goods will not be accepted unless re-packaged in its original packaging and accompanied by a relevant and completed returns form. This does not affect your statutory rights.

No rights are given under this warranty to a person acquiring this appliance second-hand or for commercial or communal use.

COPYRIGHT

All material in this instruction manual are copyrighted by DOMU Brands Ltd.

Any unauthorised use may violate worldwide copyright, trademark, and other laws.

Thank you for purchasing the Defrost Tray.

VonShef is a registered trademark of DOMU Brands Ltd

Made in China for DOMU Brands Ltd M24 2RW