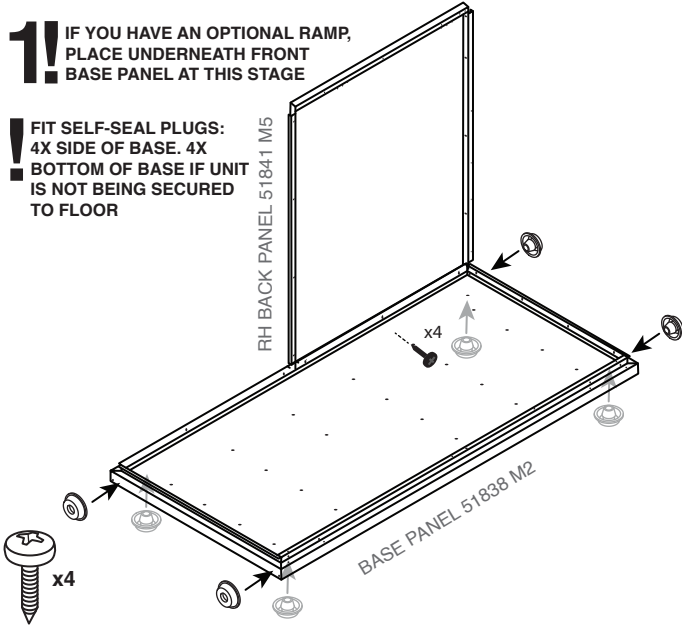


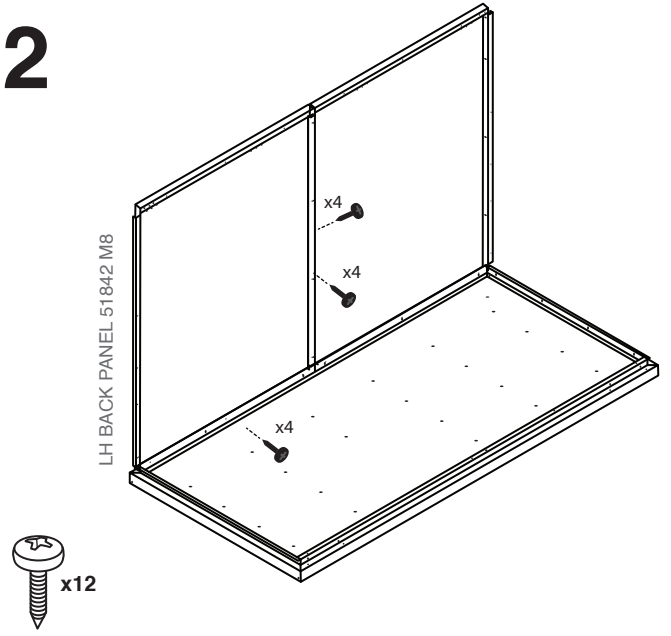
PLEASE NOTE ALL SCREWS ARE FIXED FROM THE INSIDE

1! IF YOU HAVE AN OPTIONAL RAMP, PLACE UNDERNEATH FRONT BASE PANEL AT THIS STAGE

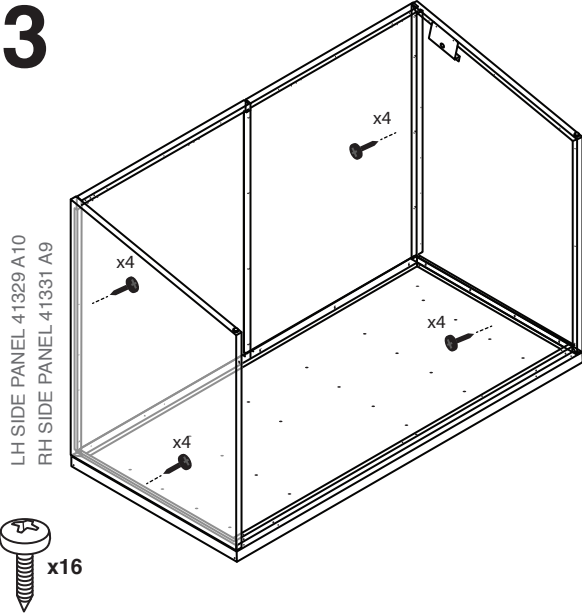
! FIT SELF-SEAL PLUGS: 4X SIDE OF BASE. 4X BOTTOM OF BASE IF UNIT IS NOT BEING SECURED TO FLOOR



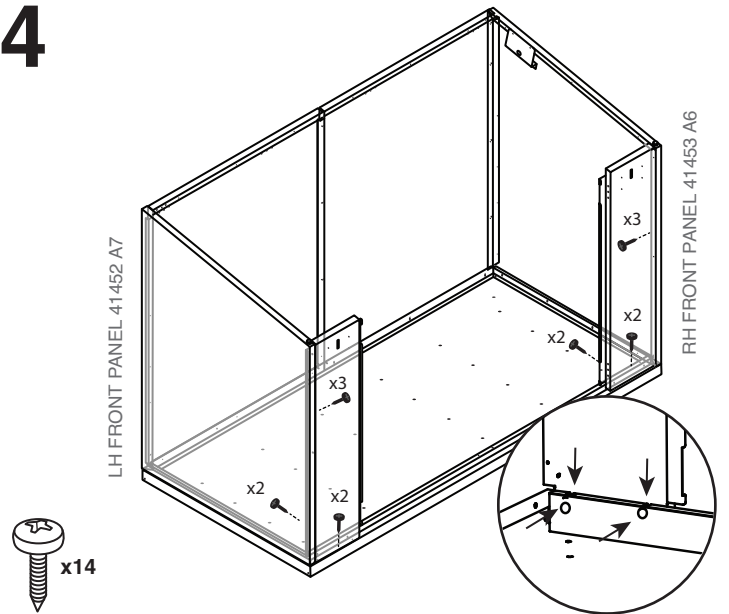
2



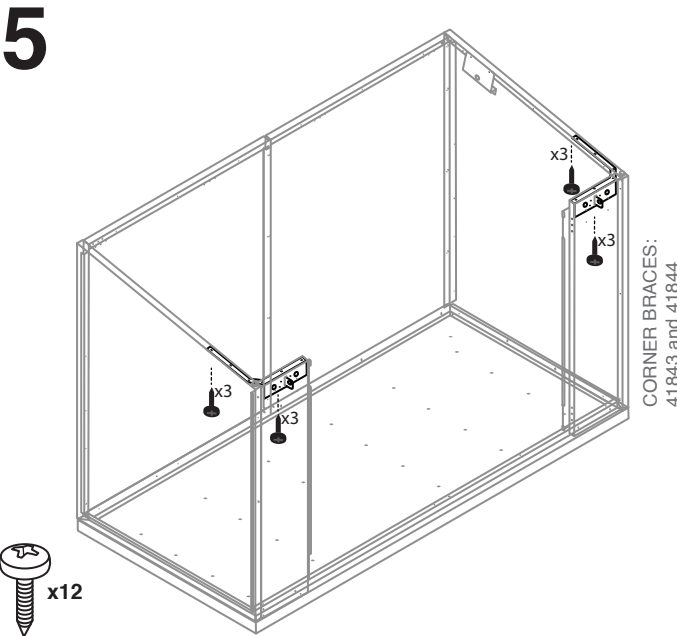
3



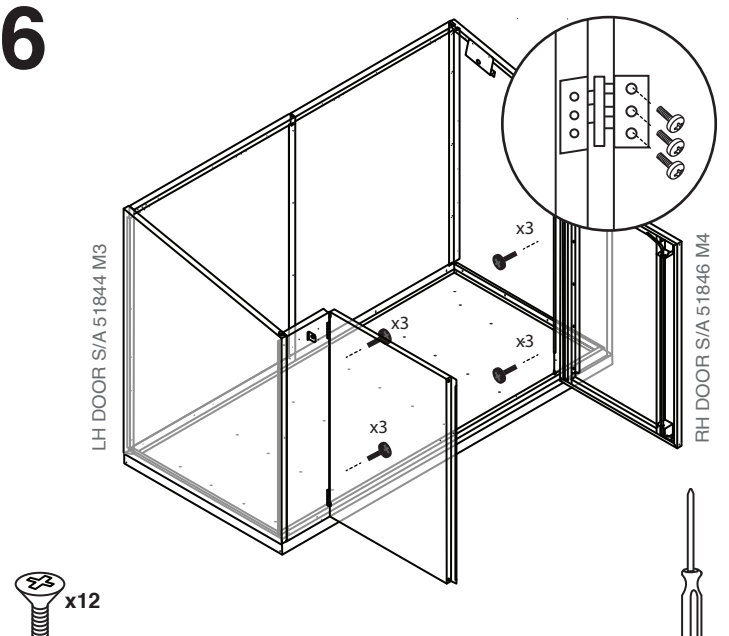
4



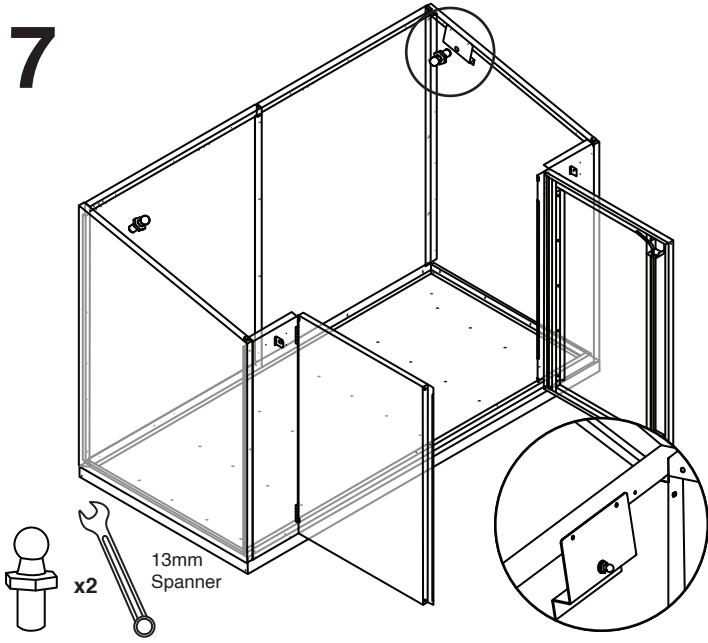
5



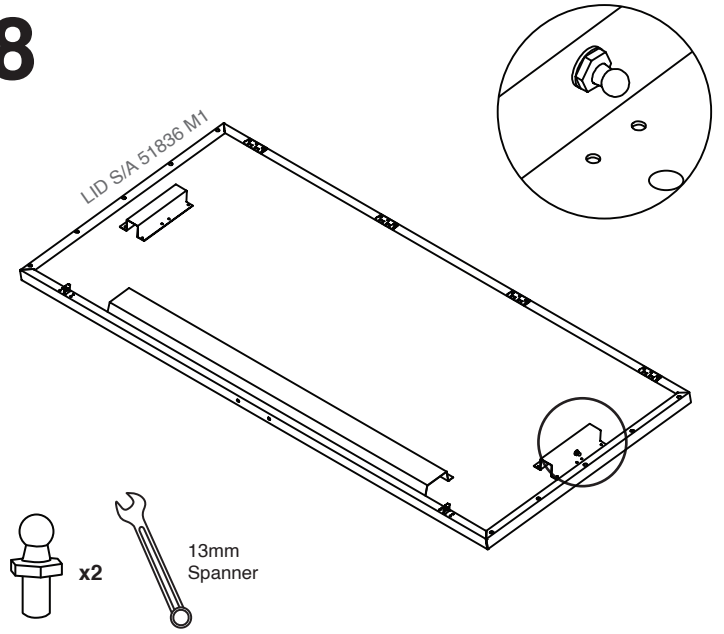
6



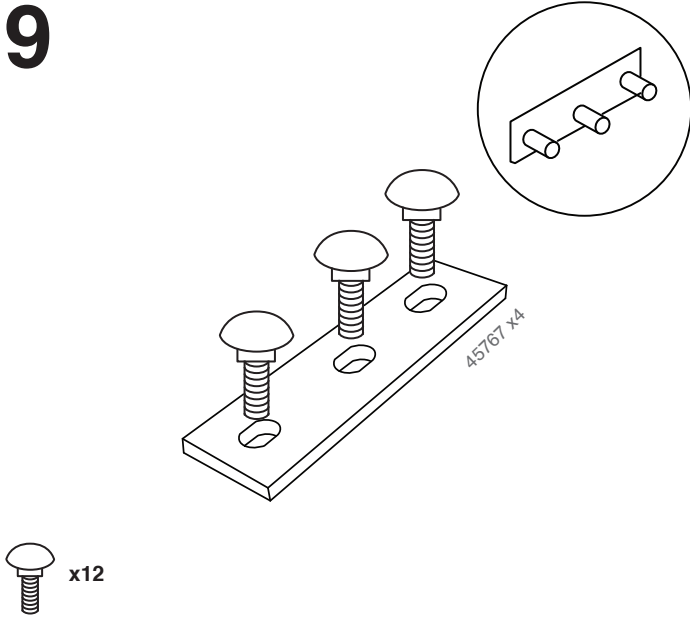
7



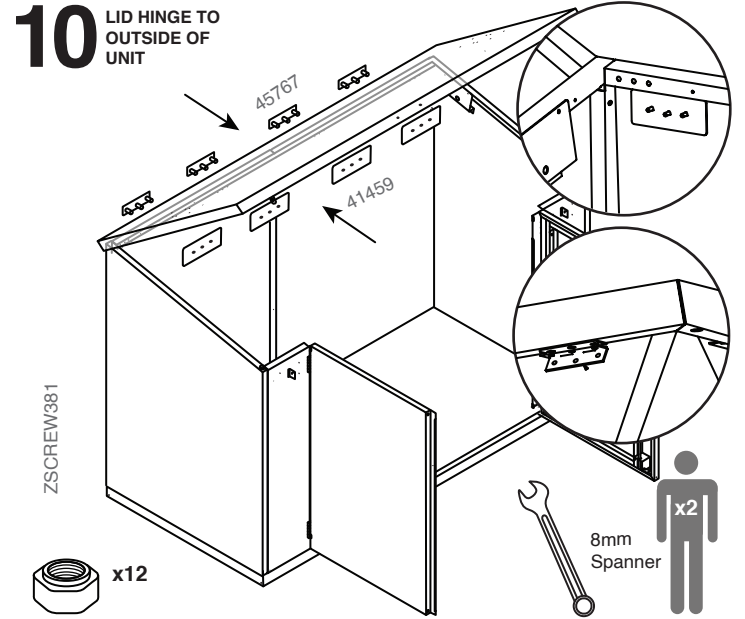
8



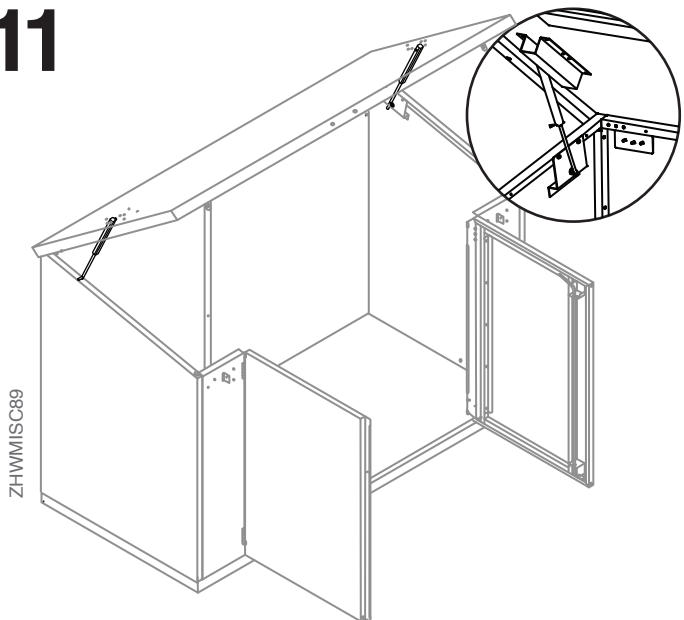
9



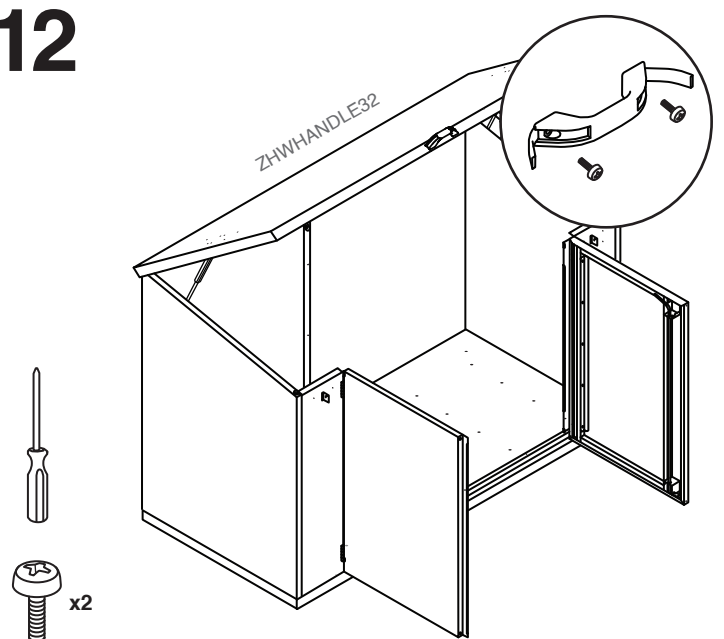
10



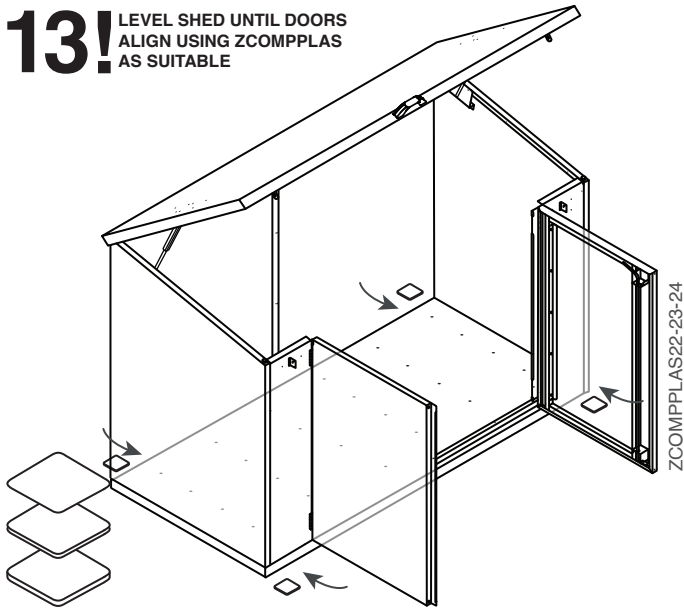
11



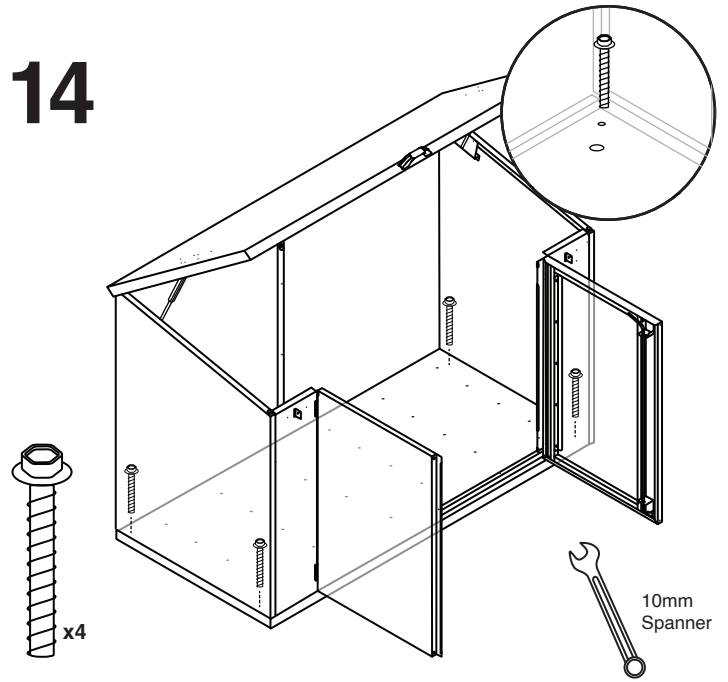
12



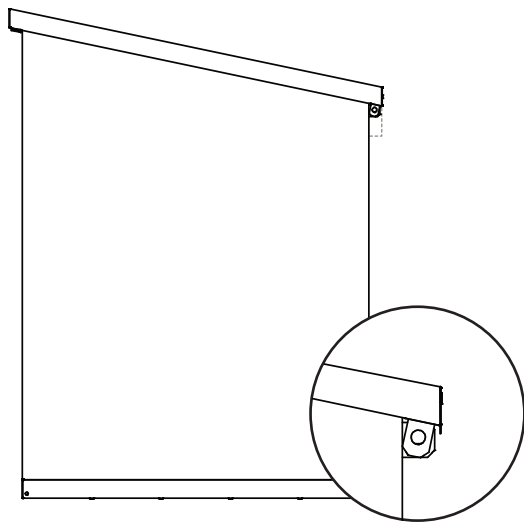
13! LEVEL SHED UNTIL DOORS
ALIGN USING ZCOMPPLAS
AS SUITABLE



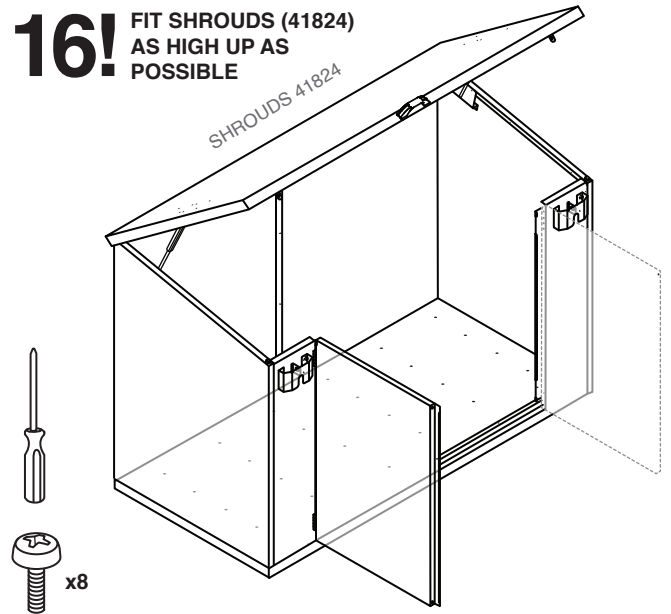
14



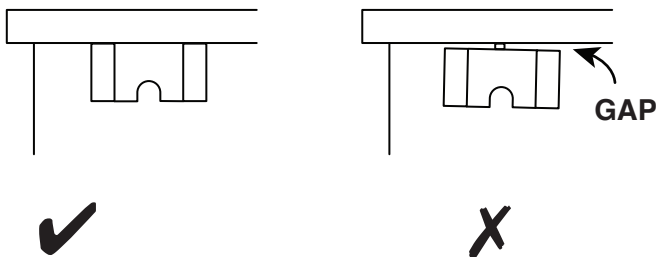
15! ENSURE CORRECT ALIGNMENT
BEFORE ATTACHING SHROUDS
(41824)



16! FIT SHROUDS (41824)
AS HIGH UP AS
POSSIBLE



17! CHECK THE SHROUDS ARE
FLUSH WITH THE SHED



!

**YOU MUST ENSURE YOUR BASE IS LEVEL
AND THE LID ALIGNS CORRECTLY. YOU MUST
BOLT DOWN THE UNIT TO KEEP IT LEVEL.**

**YOU MUST USE THE DOOR PLUNGER/ BAR ON THE
BACK OF THE DOOR WHEN LOCKING YOUR SHED**

**FAILURE TO DO SO MAY MAKE
YOUR SHED LESS SECURE**