

BACK Cover

FO LD

FRONT Cover

THE SOURCE
 www.thesourcewholesale.co.uk

MANUFACTURED AND IMPORTED BY:
THE SOURCE WHOLESALE
 The Atrium, Curtis Rd, Dorking RH4 1XA, United Kingdom

THE SOURCE WHOLESALE BV
 Joop Geesinkweg 701, 1114 AB Amsterdam-Duivendrecht

Made in China
 customer.services@giftuniverse.com
 Supplier item reference: 16991
 128048 820421

DESIGNED IN THE U.S.A.
MADE IN CHINA



starwars.com

© & ™ Lucasfilm Ltd.

16991 FLOOR STANDING LIGHT INSTRUCTIONS

PLEASE KEEP PACKAGING FOR FUTURE REFERENCE.
FOR TECHNICAL SUPPORT PLEASE CONTACT:
SUPPORT@UKONIC.COM

www.ukonic.com
Visit site to see other amazing products



ROBE FACTORY LLC / UKONIC
1725 Chaparral Road, Suite 110
Henderson, NV 89044
www.ukonic.com

STAR WARS
 THE
MANDALORIAN

DARKSABER™
FLOOR STANDING LIGHT

SKU: 16991

INSTRUCTION MANUAL

THIS IS NOT A TOY
THIS LIGHT IS NOT TO BE USED AS A NIGHT LIGHT
THIS LIGHT IS NOT SUITABLE FOR CHILDREN UNDER 14 YEARS OLD



5.51"
140mm

FO LD

15.5" (420mm)

INTRODUCTION

The operating instructions are to be considered as part of this floor standing light, they contain important information regarding use, safety and disposal. Before using the floor standing light please read through the operating instructions carefully taking time to familiarise yourself with all safety information and instructions for use. Only use the floor standing light in the way described and for the stated purpose, the manufacturer has no liability for damage which is caused by improper use or incorrect operation.

INTENDED USE

The floor standing light is designed solely for occasional use, it is designed specifically for the household, and should only be used indoors at ALL times in a dry location.

DIMENSIONS:

7.9 in W x 7.9 in D x 48 in H (200 mm W x 200 mm D x 1220 mm H)

ITEMS INCLUDED

- 1x Mains Power Adapter DC 12V 1.5A
- 1x Base / 1x Hilt / 1x Light Part
- 1x Wrench / 1x Nut
- 1x Remote Controller (Powered by 2x AAA batteries)

Adapter Model: XY24LH-120150VH-BW
 Adapter Input: 220-240V~, 50/60HZ, 0.4A MAX
 Adapter Output: DC 12V 1.5A, MAX.18W

15 Mins timer / Dimmer / Night light

OPERATION

This product can be operated by foot step switch on Adapter cable or by remote controller.

Press the ON/OFF step switch to switch ON/OFF the standing light.
 Remote Controller detail operation as be shown in Fig 6. drawing.

HOW TO BUILD THE LIGHT

STEP 1

Remove all parts from the box and lay them down on a flat level surface. Take care when removing the light.

STEP 2

The base of the light hilt lines up with the holes shown in drawing, as shown in Fig 1.

Do not attempt to align the base of the light hilt in any other way.

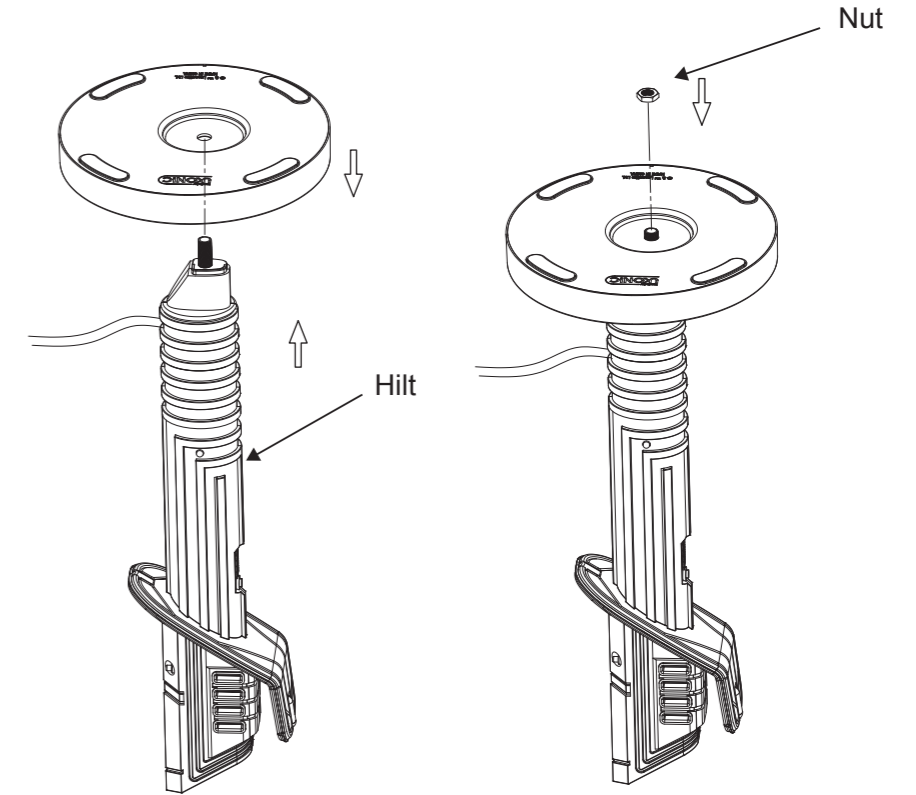


Fig. 1

Fig. 2

DARKSABER™
FLOOR STANDING LIGHT 1

DARKSABER™
FLOOR STANDING LIGHT 2

STEP 3

Then using the nut provided, begin to screw by hand to secure the base to the light hilt, as shown in Fig 2 and Fig 3.

Once the nut is fully hand tight, use the spanner provided to **GENTLY TURN THE NUT** to secure the base to the light hilt.

DO NOT OVER TIGHTEN this nut as it could result in damaging the unit.

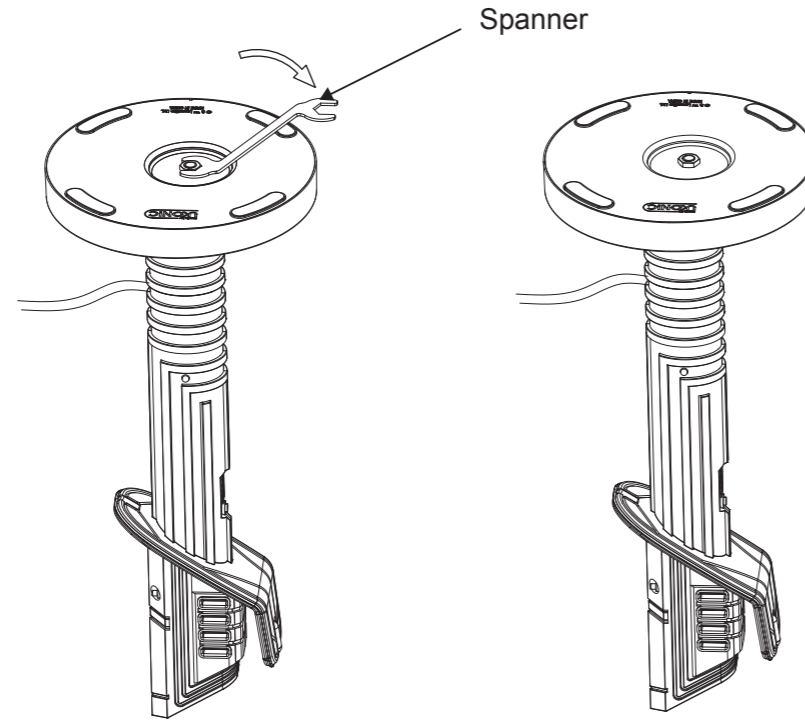


Fig. 3

Fig. 4

**DARKSABER™
FLOOR STANDING LIGHT 3**

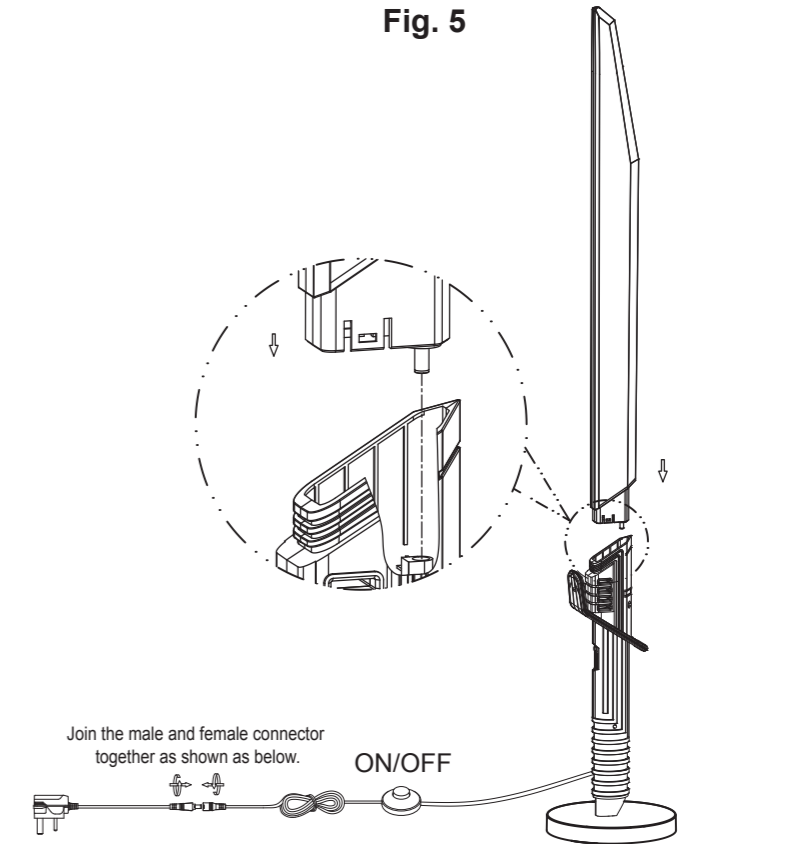
STEP 4

Insert the light part to the hilt as shown in Fig 5.

STEP 5

Join the male and female connector together as shown in Fig 5.

Fig. 5



Join the male and female connector together as shown as below.

ON/OFF

**DARKSABER™
FLOOR STANDING LIGHT 4**

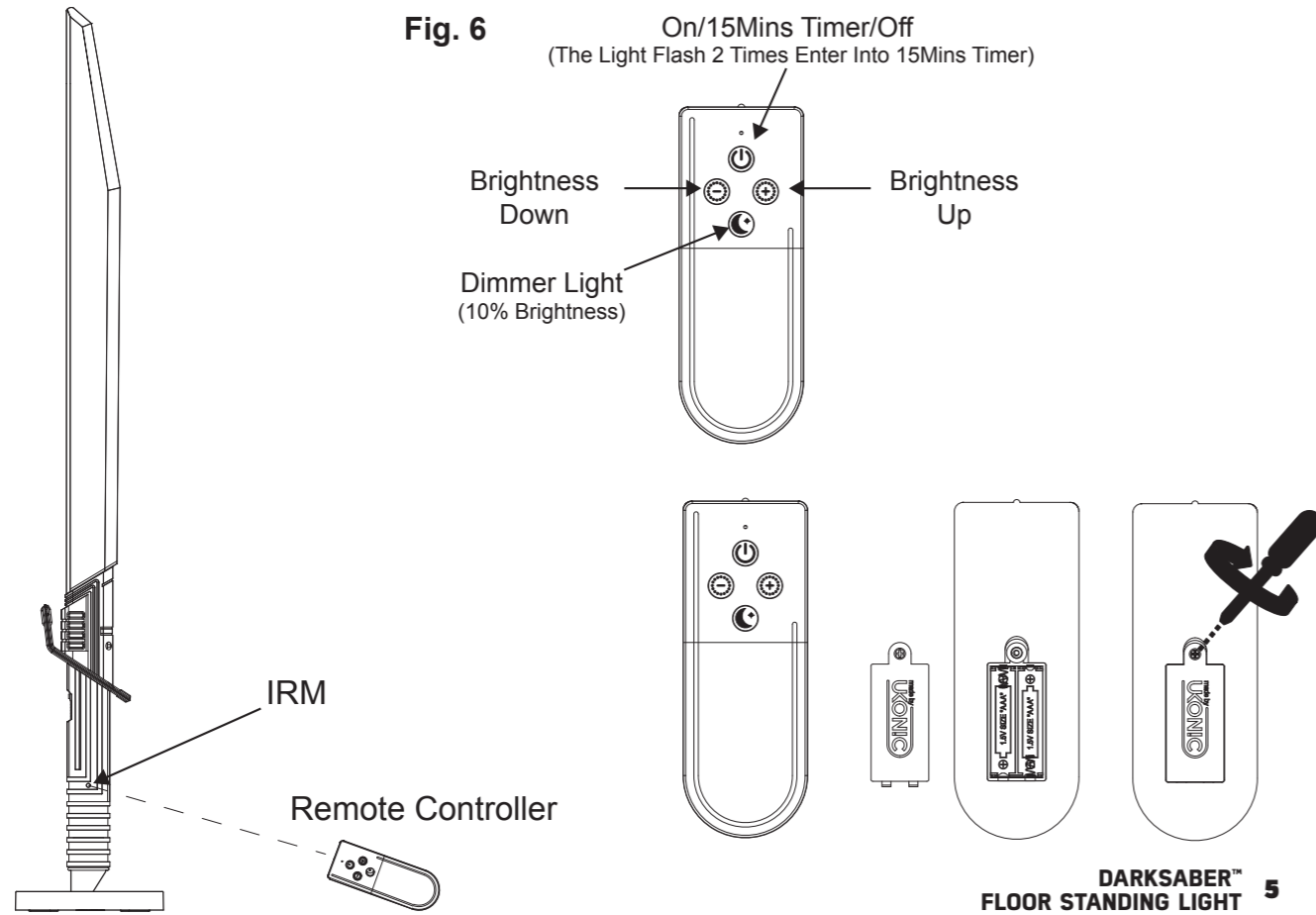


Fig. 6
On/15Mins Timer/Off
(The Light Flash 2 Times Enter Into 15Mins Timer)

Brightness Down
Brightness Up
Dimmer Light (10% Brightness)

**DARKSABER™
FLOOR STANDING LIGHT 5**

⚠ CAUTION! RISK OF ELECTRIC SHOCK!

DO NOT operate the floor standing light if it is damaged in anyway, a damaged floor standing light represents a danger from electric shock! Periodically check the power cord of this floor standing light and **DO NOT** use if damaged in any way.

This power cord and or switch must only be replaced by the manufacturer, or a qualified individual, to avoid any danger of electric shock.

DO NOT immerse the floor standing light, power cord, switch or plug, or get the Desk light wet in anyway.

DO NOT touch the floor standing light, switch or plug with wet or perspiring hands.

DO NOT drop or insert objects into any opening.

⚠ CAUTION! RISK OF OVERHEATING!

DO NOT coil/bundle the power cord, or it may overheat.

⚠ CAUTION! RISK OF FIRE!

Never place the floor standing light in direct proximity to naked flames or other sources of heat.

DO NOT use flammable sprays near the floor standing light, to avoid risk of ignition.

DO NOT place anything close or on top of the floor standing light, to avoid risk of ignition.

GENERAL SAFETY INSTRUCTIONS

ONLY use this floor standing light in accordance with this instruction manual. Please read these instructions carefully and keep for future reference, the manufacturer has no liability for damage which is caused by improper use or incorrect operation.

- Check the voltage indicated on the rating plate.
- This floor standing light is designed for power Adapter.
- Suitable for indoor use only in a dry location.
- Place the appliance on a flat surface and make sure it is not in direct sunlight.
- This floor standing light is not intended for use by persons (including children) with reduced physical, sensory or mental capacities, or by those with lack of experience and / or knowledge, unless they are being supervised by a person responsible for their safety, or unless they have been given instructions by this person concerning use of the appliance. Children must never be allowed to play with the floor standing light.
- **DO NOT** try to repair this floor standing light or power cord yourself, it must either be returned to the manufacturer or repaired by a qualified individual. Unsatisfactory repairs can lead to considerable danger for the user!
- **DO NOT** use any optical devices such as a lens to look directly into the light beam.
- To disconnect the floor standing light from the wall hold the plug, **DO NOT** pull the cord.

**DARKSABER™
FLOOR STANDING LIGHT 6**

CLEANING AND MAINTENANCE

Clean with soft dry cloth only, No cleaners or abrasives.

WARRANTY

• The warranty for this appliance is 1 year from the date of purchase. Any implied warranties, including the implied warranty of merchantability are also limited to the duration of 1 year from the date of purchase.

The warranty is not transferable from the original purchaser.

• The warranty begins on the date of purchase. Please retain the original receipt safely, this receipt is required as proof of purchase.

• Should this appliance show any fault in materials or manufacture within 1 year from the date of purchase, it will be repaired or replaced at our choice by us free of charge.

• The warranty is conditional on the defective appliance and the receipt of purchase being presented within the 1 year warranty period.

• If the defect is covered by our warranty, you will receive the repaired appliance back or a new appliance. A new warranty period does not commence with the repair or with the exchange of the appliance: the warranty period will not be extended by repairs or exchange made under warranty.

• The warranty applies to faults (material or manufactured), the warranty does not extend to accidental abuse, misuse or neglect. The warranty lapses if the appliance is deemed to be damaged through accidental abuse, misuse or neglect or if it was not maintained properly as per the directions given in the general instructions section.

WARRANTY PROCEDURE

Please have your receipt and the model number available for all queries, the model number can be located on the rating label on the appliance itself. Should any fault or defect arise, please email support@ukonic.com, provided you can provide a copy of proof of purchase and the warranty period has not expired, we will begin our warranty process. Product returns which have not been notified in advance and in accordance with the procedure cannot be processed.

PRODUCT DISPOSAL

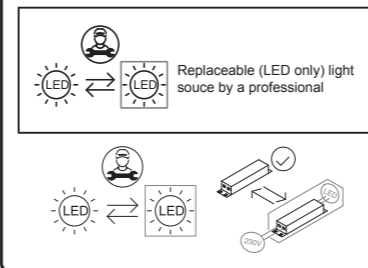
When your appliance has come to the end of its life, please do not throw it out with other household refuse. In the interests of the environment please take your appliance to a suitable center where it can be disposed of properly. For more information on this subject please contact your local refuse authority for further detail.

The light source of this lamp is not replaceable; when the light source reaches its end of life the whole lamp shall be replaced.

**DARKSABER™
FLOOR STANDING LIGHT 7**

Energy-saving LED module with cool white light
Product dimensions: approx. 20 x 20 x 122 cm
LED unit power: 14W
Total power: 16.7W
Power adapter: 220-240V~ 50/60Hz
Cable length: 180 cm
LED light unit can only be replaced by a specialist
LED plug-in power adapter can be replaced by the end user
*Uses up to 80% less energy compared to a standard 95W light bulb

Important Notes:
The light source contained in this luminaire shall only be replaced by the manufacturer or his service agent or a similar qualified person. This product contains a light source of energy efficiency class F.

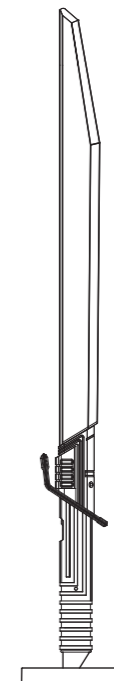


starwars.com

© & ™ Lucasfilm Ltd.

Manufacturer:
DongGuan City TianHua Photoelectric Technology Co., Ltd.
No.3, 2nd Road, JinQianLing Industrial Zone, JiTiGang Village,
HuangJiang Town, 523757 DongGuan City, GuangDong Province,
PEOPLE'S REPUBLIC OF CHINA

DARKSABER™ FLOOR STANDING LIGHT



**DARKSABER™
FLOOR STANDING LIGHT 8**