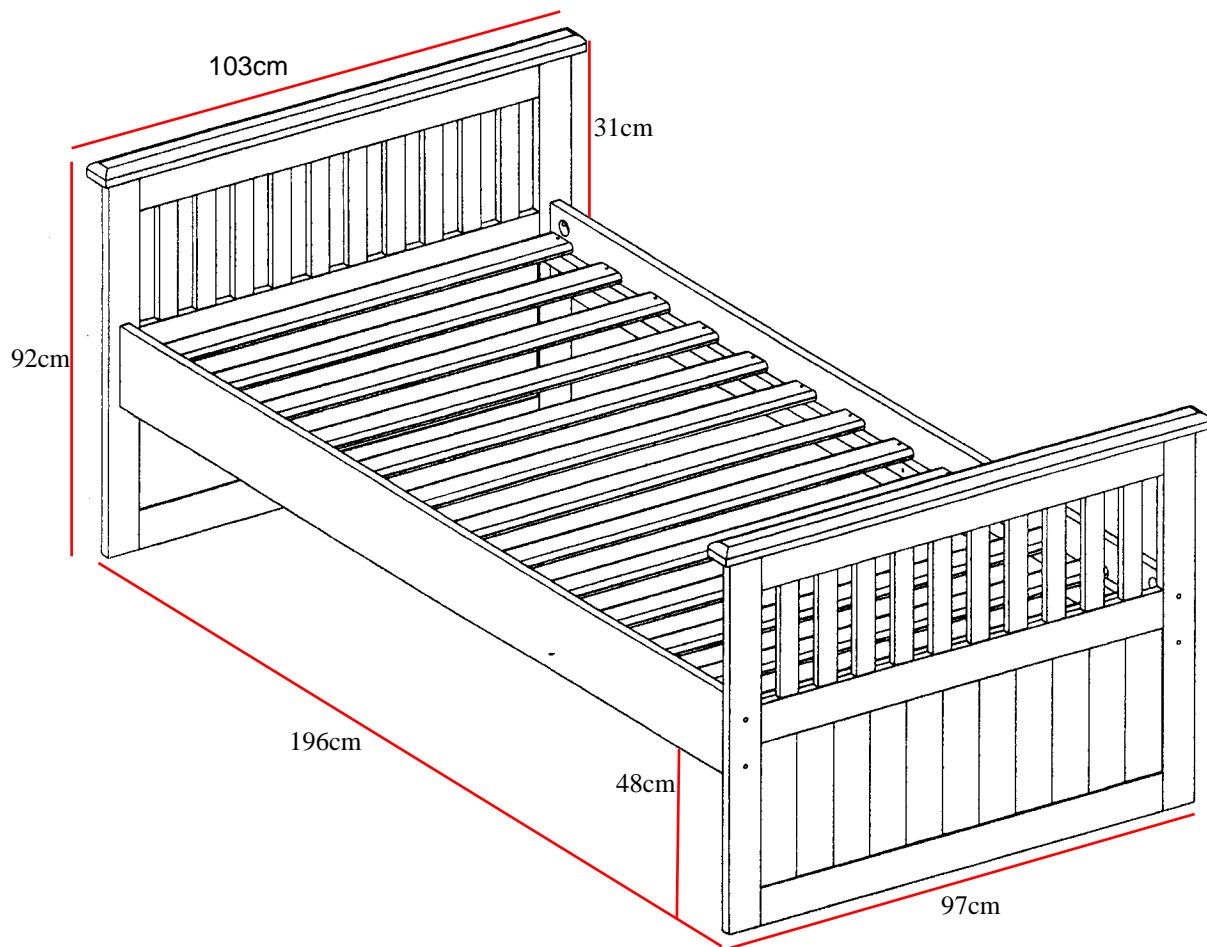
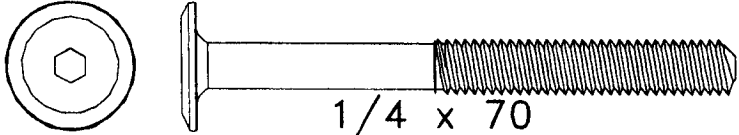
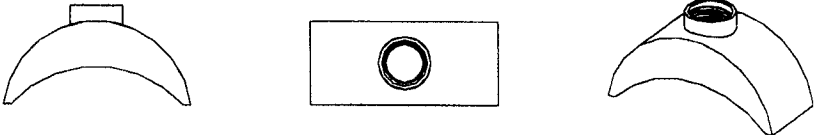






PINE CAPTAINS BED

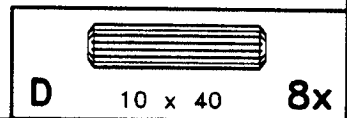
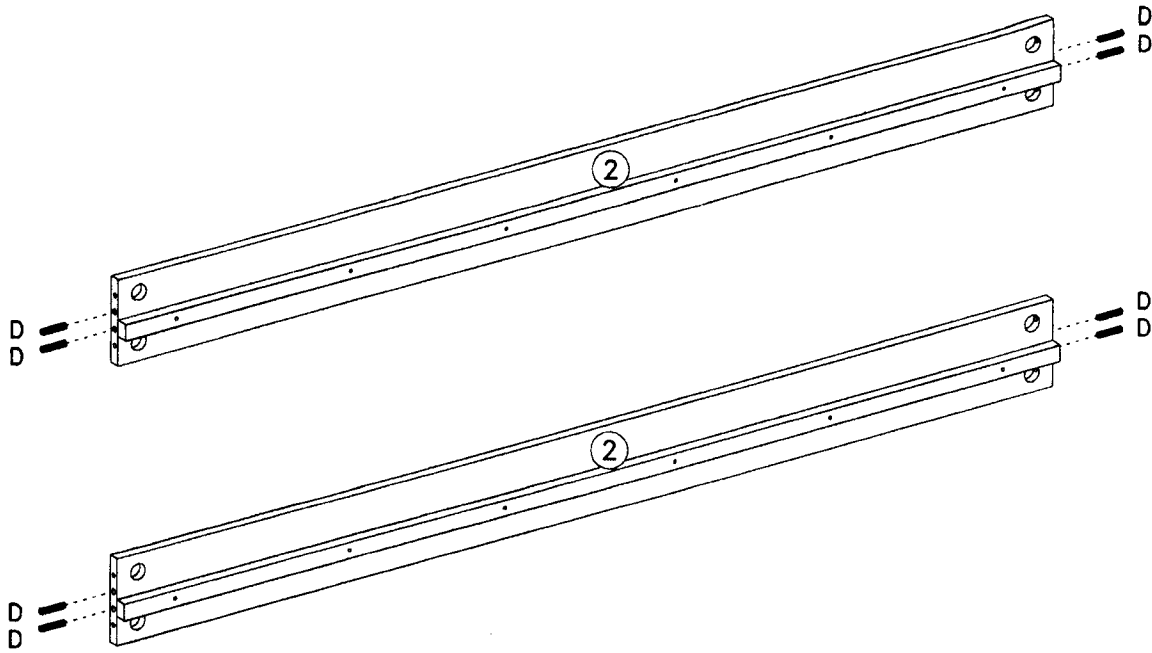


- Please assemble on a clean soft surface to avoid damage.
- Do not use power tools to assemble this product.


- Please check contents and read instructions before commencing assembly.
- Assemble this article following the enclosed instructions carefully.
- Please take care to avoid damaging panels during assembly.

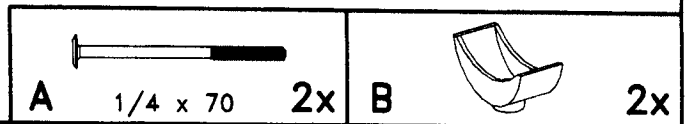
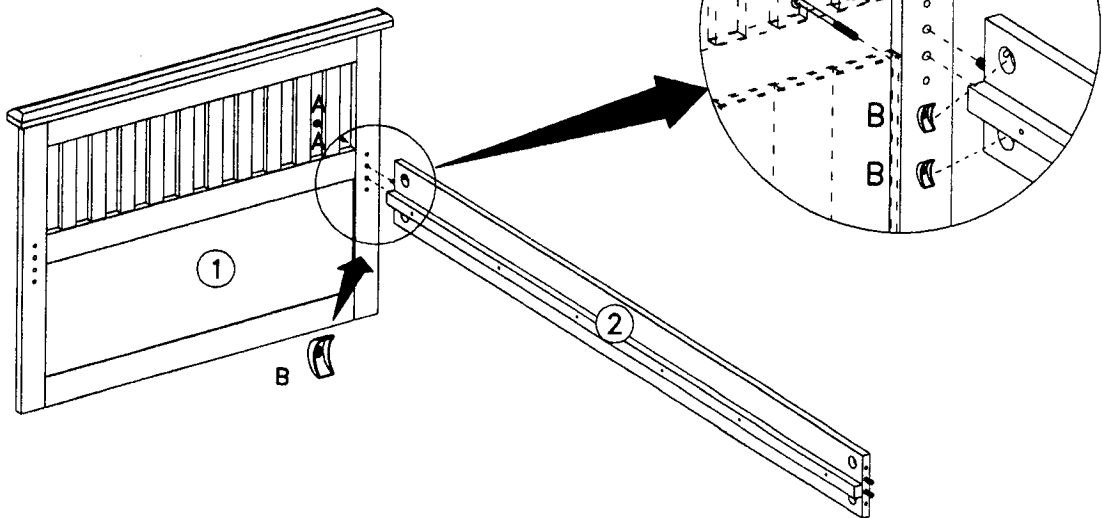
A		08
B		08
C		26
D		08
E		01
F		02

01

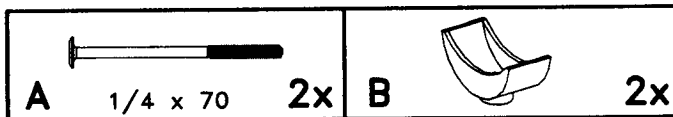
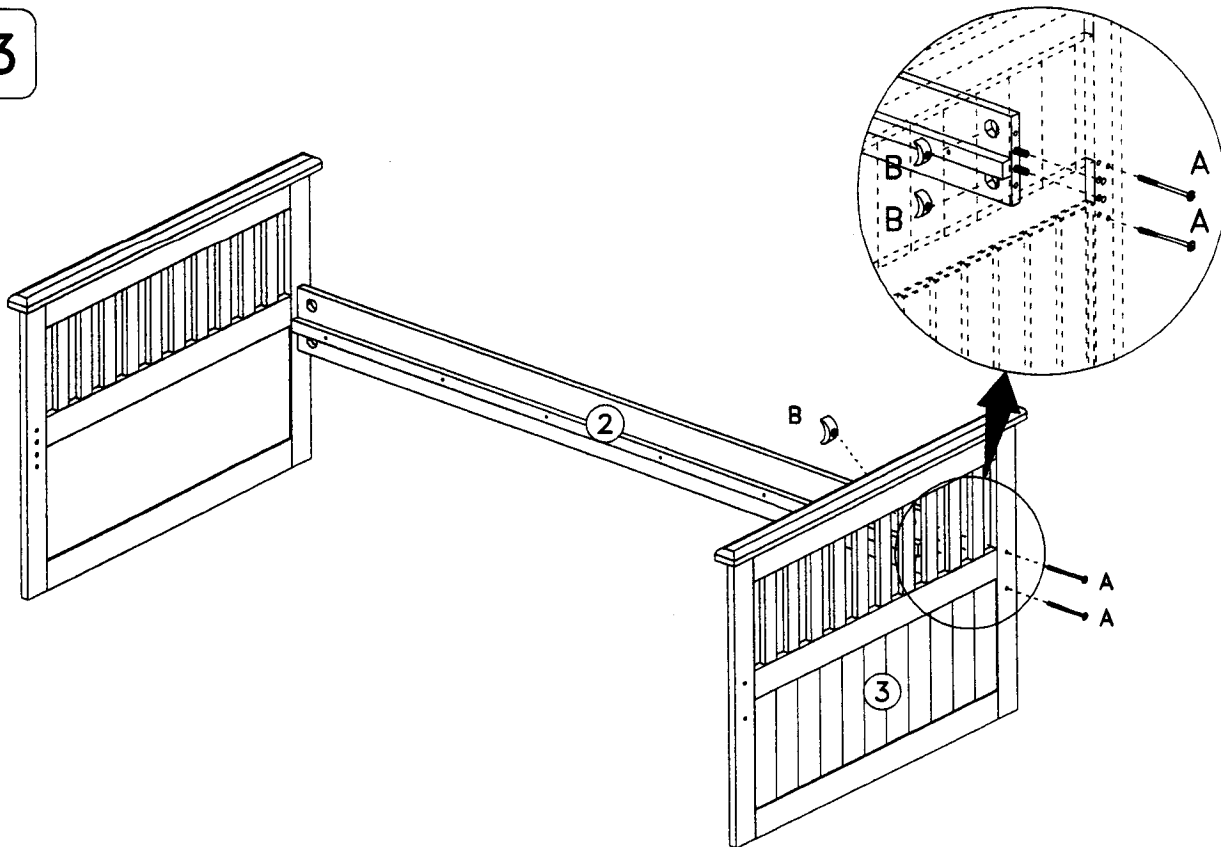


02

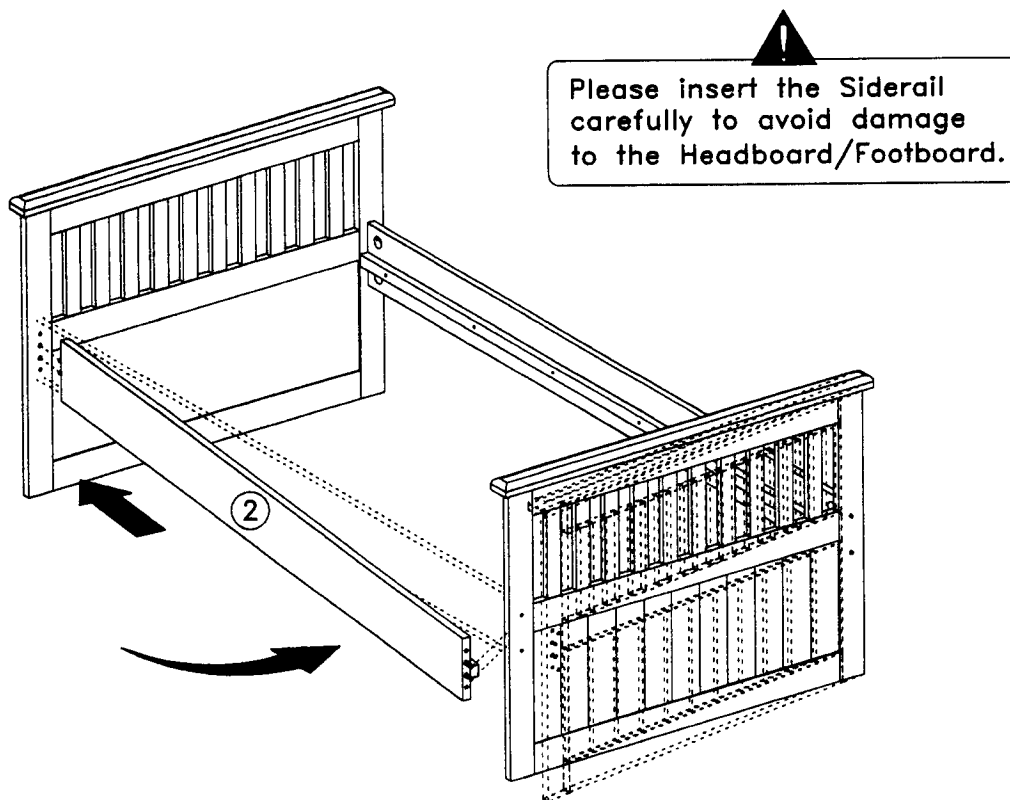

Please assemble on a soft clean surface to avoid damaging the parts.



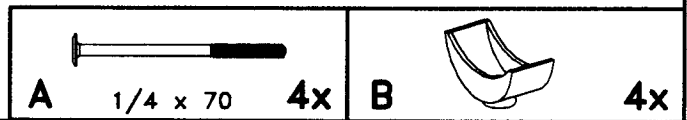
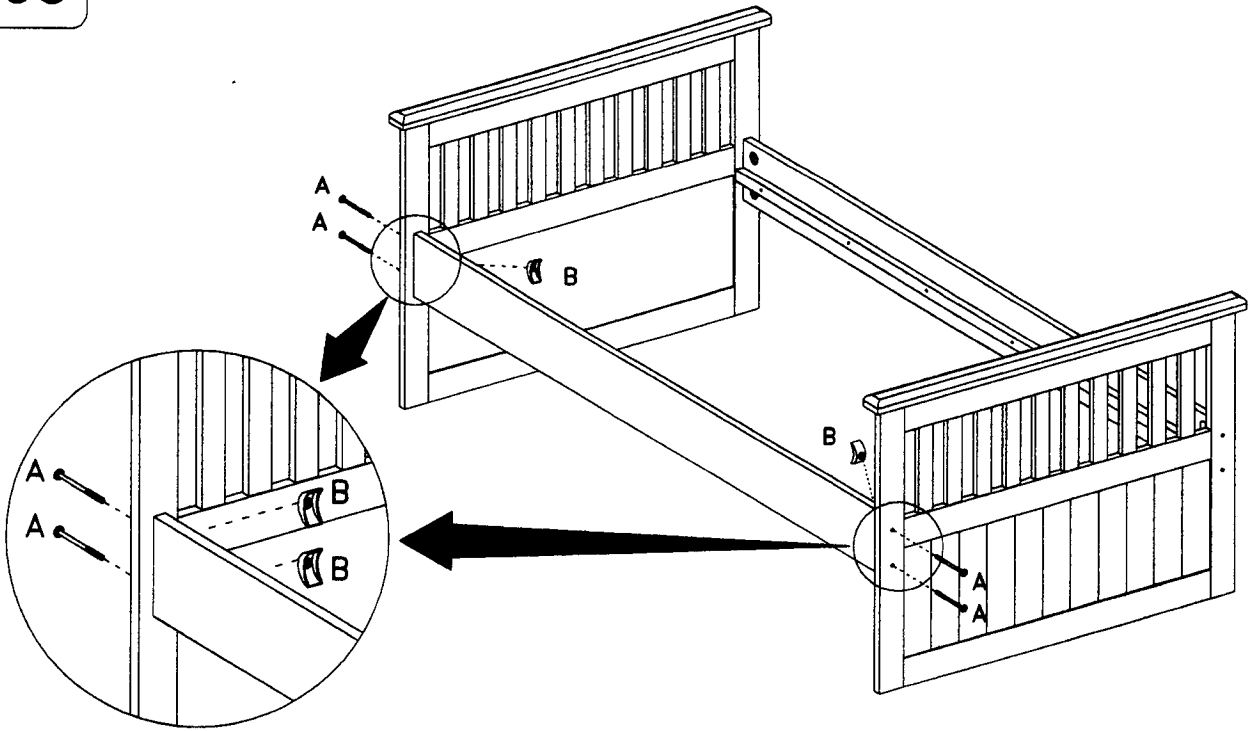
03



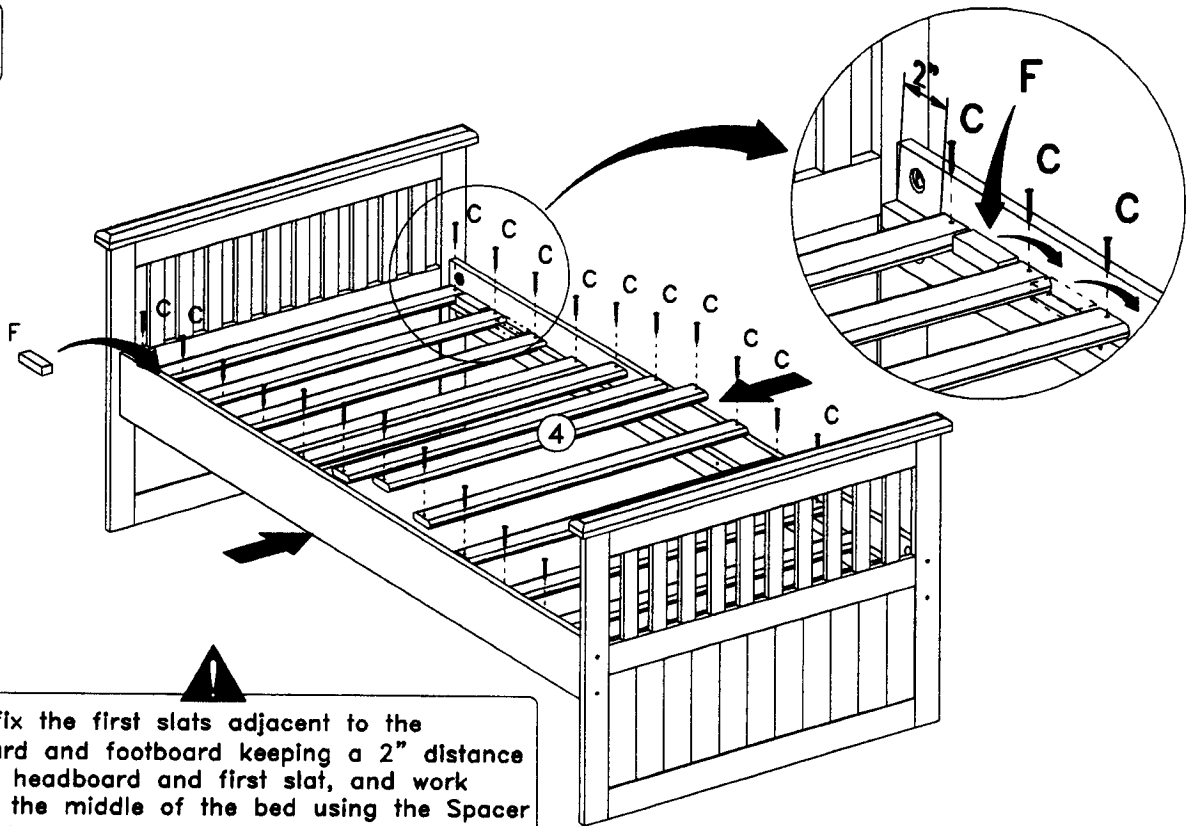
04



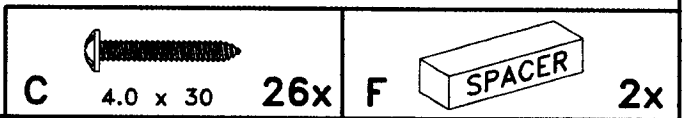
05



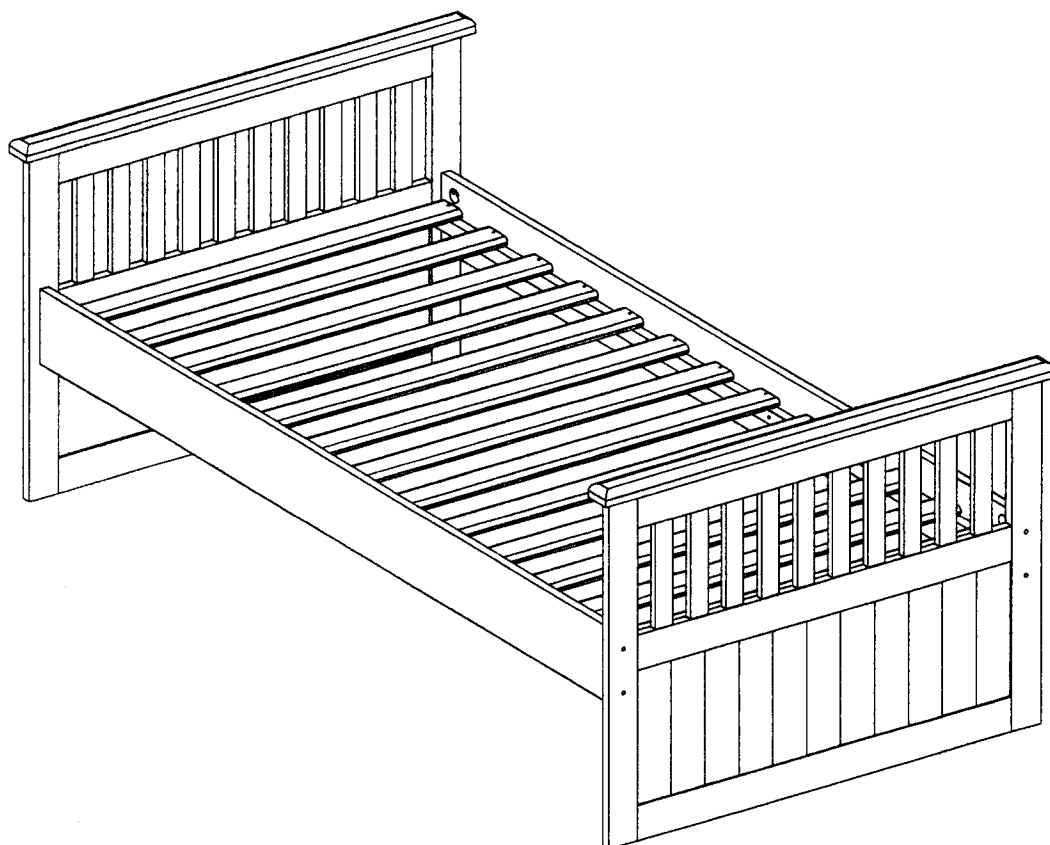
06



Please fix the first slats adjacent to the headboard and footboard keeping a 2" distance between headboard and first slat, and work towards the middle of the bed using the Spacer (F) as shown to ensure correct spacing. Fix all the slats to one siderail first then push the second siderail tight against the slats and fix. Please retain the Allen key and use periodically to check that all bolts are tight.



07



WHEN FULLY ASSEMBLED PLEASE
ENSURE ALL SCREWS ARE TIGHTENED.

