

# 4 DRAWER TROLLEY

08/068 - User Guide

08/069

08/134

Please read all instructions carefully and retain for future reference.

This VonHaus® 4 Drawer Trolley is designed and intended for domestic use only. It should not be used for commercial purposes.

This unit is not a toy. Children should supervised to ensure they do not play with the Trolley.

This unit contains small parts and components which pose a choking hazard to children and animals. Keep these parts clear from children and pets.

Check the contents of the packaging against this manual to ensure there are no missing or defective parts. Never use defective parts.

Assemble only as instructed within this manual. Any deviation or shortcut may lead to incorrect assembly or be considered customer misuse. Improper assembly may cause damage or serious injury. We recommend two people are present to assemble the VonHaus® 4 Drawer Trolley.

Do not overload the drawers. For stability, heavier items should always be placed in the bottom drawers.

Do not over-tighten any parts during assembly as this will damage the unit.

**WARNING!** The VonHaus® 4 Drawer Trolley should only be positioned on a flat stable surface. If moving the Trolley, firmly grasp the Trolley via the top rails at the top of the frame, ensuring the top shelf is clear. It is advisable to remove the drawers and contents if moving the Trolley across slopes or inclines.

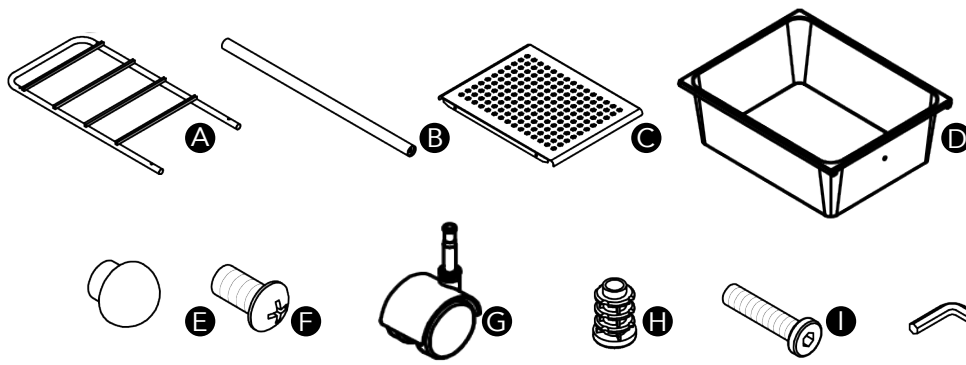
**CAUTION:** To ensure continued safety, check the unit is secure and safe to use at regular intervals (every 3 months). Take appropriate action to rectify any unstable or unsafe units.

If you do not understand these directions, or have any doubts regarding the safety of the assembly, please seek advice and guidance from a qualified person.

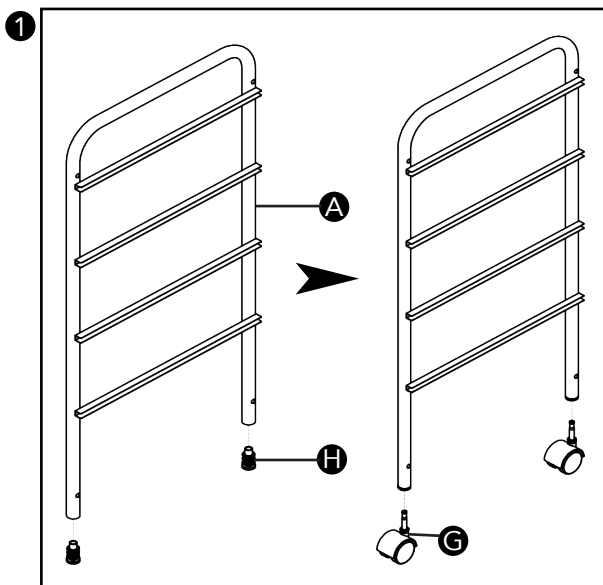
www.VonHaus.com

## PARTS LIST

TOOLS REQUIRED: Suitable crosshead screwdriver (not supplied)

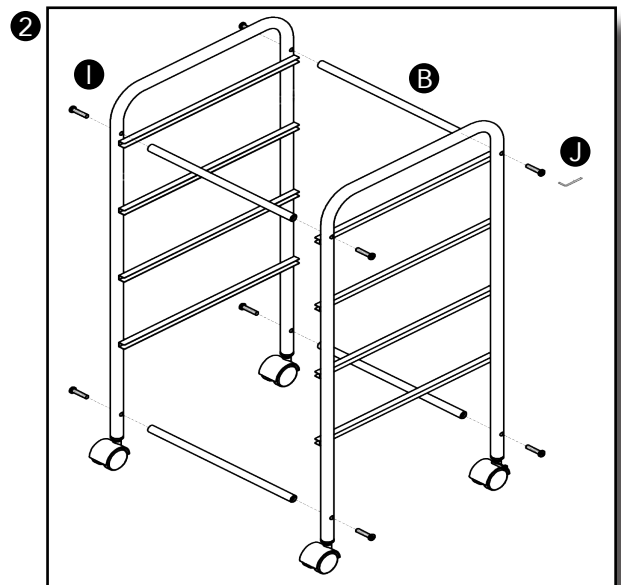


- A - Frame (x2)
- B - Spacing Rail (x4)
- C - Top Shelf (x1)
- D - Drawer (x4)
- E - Handle (x4)
- F - Handle Fixing Screw (x4)
- G - Twin Wheel Caster (x4)
- H - Caster Sleeve (x4)
- I - Fixing Bolt (x8)
- J - Hex Key (x1)



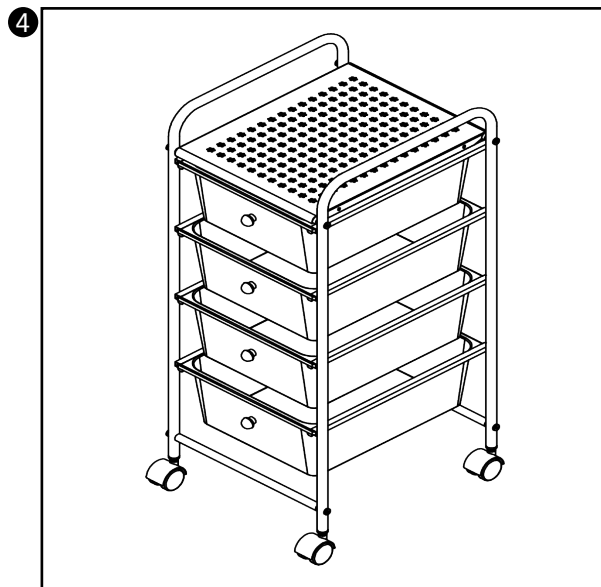
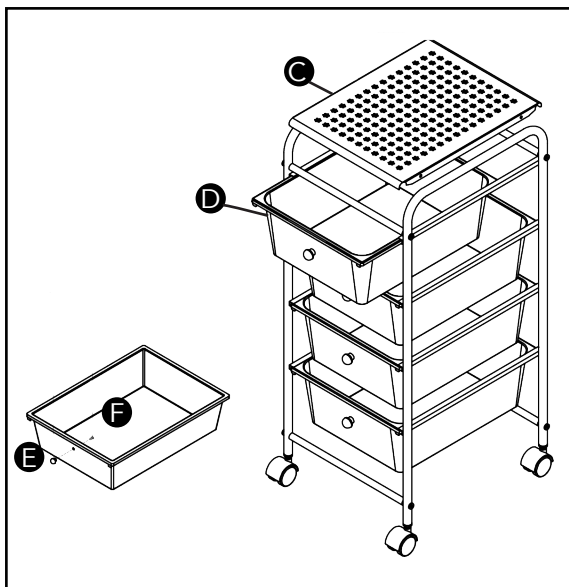
**1.** Insert 2 Caster Sleeves (H) into the base of each Frame (A). Insert and secure 2 Twin Wheel Casters (G) into each Frame.

**CAUTION:** Casters may require some force to insert. Take care not to trap body parts or clothing.



**2.** Secure 4 Spacing Rails (B) by inserting 4 Fixing Bolts (I) through the pre-drilled holes in the Frame. Tighten using the Hex Key (J). Insert the remaining 4 Fixing Bolts into the opposite side of the Frame to secure.

**NOTE:** The Spacing Rails should face each other inside of the Frame assembly.



**3.** Affix a Handle (**E**) to each Drawer (**D**) using the Handle Fixing Screws (**F**). Secure with a suitable crosshead screwdriver (not supplied). Carefully insert the Drawers into the assembly, resting each one on the frames. Cap the assembly with the Top Shelf (**C**).

### PRODUCT CARE

Wipe down the frame, shelf and drawers with a soft, damp cloth and dry thoroughly.

**CAUTION:** Do not use abrasive detergents or scouring pads as these may damage the finish.

### DISPOSAL INFORMATION

Please recycle where facilities exist. Check with your local authority for recycling advice.

### WARRANTY

To register your product and find out if you qualify for a free extended warranty please go to [www.Vonhaus.com/warranty](http://www.Vonhaus.com/warranty).

Please retain a proof of purchase receipt or statement as proof of the purchase date.

The warranty only applies if the product is used solely in the manner indicated in the Warnings section of this guide, and all other instructions have been followed accurately. Any abuse of the product or the manner in which it is used will invalidate the warranty.

Returned goods will not be accepted unless re-packaged in its original packaging and accompanied by a relevant and completed returns form. This does not affect your statutory rights.

No rights are given under this warranty to a person acquiring the appliance second-hand or for commercial or communal use.

### COPYRIGHT

All material in this instruction manual are copyrighted by DOMU Brands Ltd.

Thank you for purchasing the 4 Drawer Trolley.

VonHaus® is a registered trademark of DOMU Brands Ltd  
Made in Taiwan for DOMU Brands Ltd M24 2RW