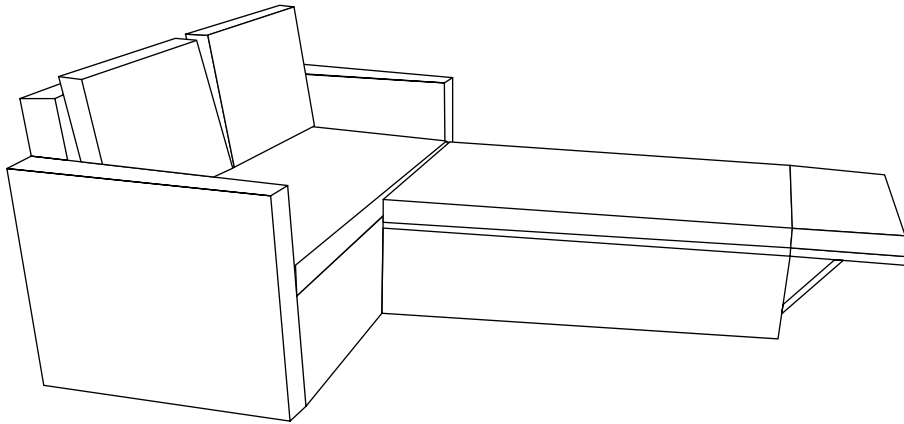


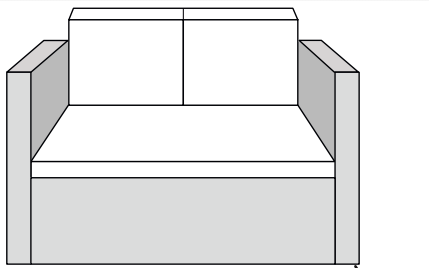
EVRE

Love Bed Lounger
Model: 85210/ 85211/ 85212

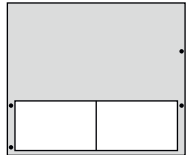


Assembly Tip:

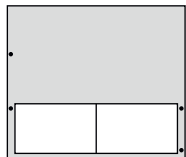
First fit all screws loosely in each chair and sofa parts. Once all parts have been put together then slowly tighten all screws. We recommend two persons working together to assemble the set.



K (1x)
60 x 57 cm



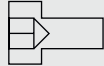
H (1x)
60 x 57 cm



b (2x)
(90mm)



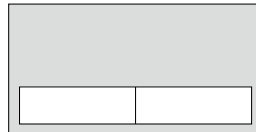
e (9x)
(35mm)



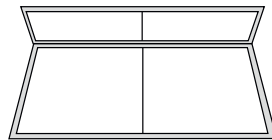
c (10x)



J (1x)
105 x 58 cm



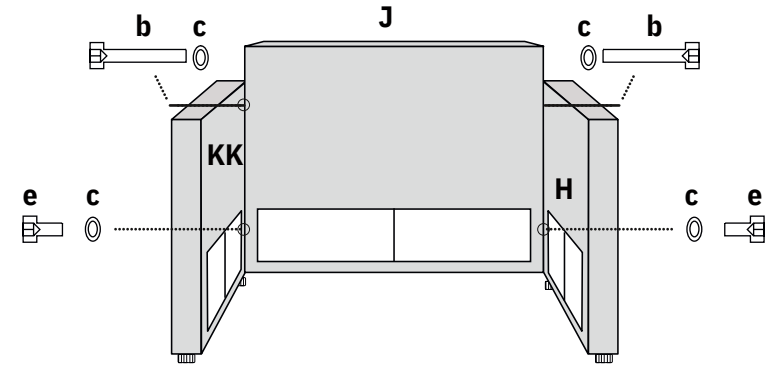
I (1x)
105 x 46 x 29 cm



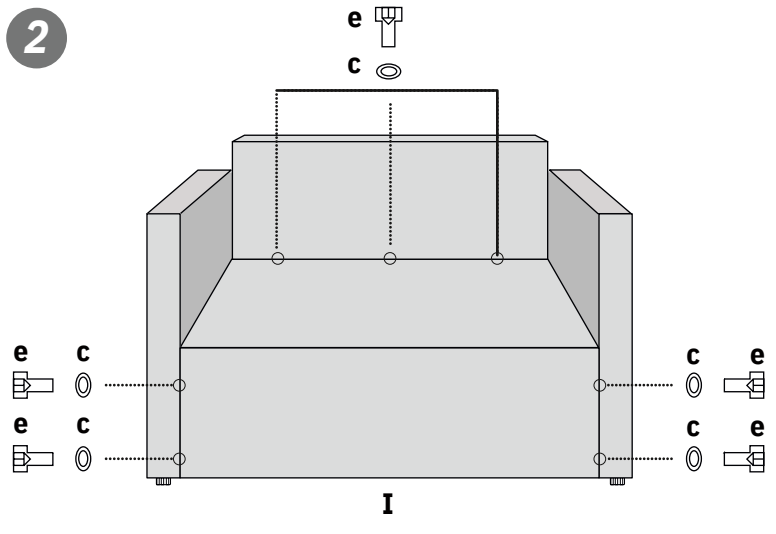
L (1x)
105 x 56 cm

M (2x)
40 x 53 cm

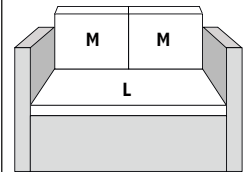
1



2

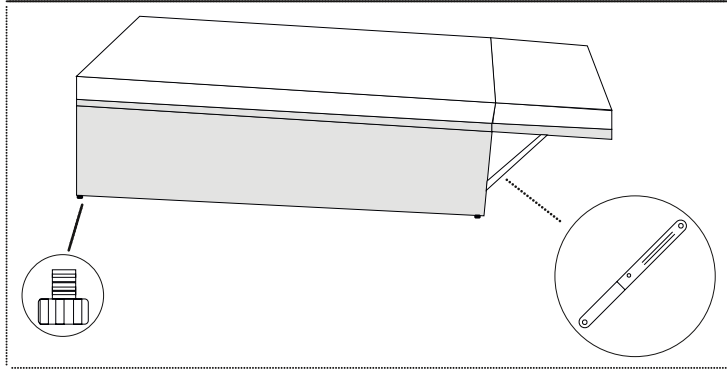


3



Maintenance Instructions

- After completing assembly, we recommend applying Anti Rust Spray such as Hammerite on bolts and connecting points.
- Please clean and maintain the rattan furniture with soft damp cloth or sponge to remove any dirt or residue.
- Try to keep an Outdoor furniture cover on your set when not in use. Please do not leave cushions outside without any protection.
- Never use abrasive cleaners on furniture.
- For Customer support or parts enquiries please email: support@evre.co.uk



A (1x)
53 x 27 cm



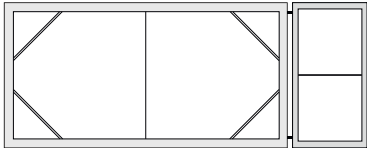
C (1x)
104 x 27 cm



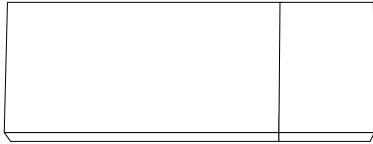
D (1x)
104 x 27 cm



E (1x)
131 x 55 cm



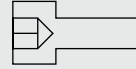
F (1x)
105 + 26 x 55 cm



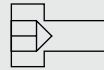
G (1x)



a (8x)
(30mm)



p (4x)
(20mm)



c (10x)



q (2x)



Assembly Tip:

First fit all screws loosely in each chair and sofa parts. Once all parts have been put together then slowly tighten all screws. We recommend two persons working together to assemble the set.

