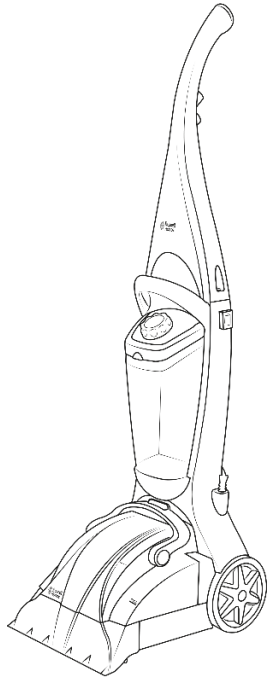




# Russell Hobbs

## Aqua Carpet Washer



**Model Number: RHCC5001**

220-240 V~, 50/60Hz, 600W

For Customer Services & Spare Parts please call **0345 209 7461**

Or visit us at <http://mda.russellhobbs.com>

**PLEASE RETAIN**  
**FOR FUTURE REFERENCE**

# CONTENTS

	Page(s)
Safety instructions	3-5
Carpet washer feature diagram	6
Carpet washer assembly	7
Using your carpet washer	8-11
Cleaning the filters	12-13
Problem solving	14
Guarantee and customer services	15
Spare parts	16
Connection to the mains supply	17-18
Notes	19
Disposal information	20

Thank you for purchasing your Russell Hobbs Aqua Carpet Cleaner.

To get the best from your new cleaner, take a few moments to read these instructions, and keep them in a safe place for future reference.

Should you require any further assistance, our friendly Product Care team will be happy to help.

For Customer Services & Spare Parts please call **0345 209 7461**

Or visit us at <http://mda.russellhobbs.com>

# **SAFETY INSTRUCTIONS**

## **IMPORTANT SAFETY INSTRUCTIONS** **READ CAREFULLY AND KEEP FOR FUTURE REFERENCE**

### **WARNING:**

- It is hazardous for anyone other than a competent person to carry out any service or repair operation that involves the removal of a cover which gives protection against exposure to electrical parts.
- If the supply cord is damaged, it must be replaced by the manufacturer, its service agent or similarly qualified persons in order to avoid a hazard.
- This appliance can be used by persons with reduced physical, sensory or mental capabilities or lack of experience and knowledge if they have been given supervision or instruction concerning use of the appliance in a safe way and understand the hazards involved. Children shall not play with the appliance.
- Unplug from the mains outlet when not in use, before putting on and taking off parts, and before cleaning or maintaining the appliance.
- The appliance shall not be left unattended while it is connected to the supply mains;
- The appliance is not to be used if it has been dropped, if there are visible signs of damage or if it is leaking.

# **SAFETY INSTRUCTIONS**

## **IMPORTANT SAFETY INSTRUCTIONS** **READ CAREFULLY AND KEEP FOR FUTURE REFERENCE**

### **WARNING:**

- Keep the appliance out of reach of children when it is energized or cooling down.
- Do not operate this appliance for anything other than its intended use. This product is intended for household use only. Do not use outdoors.
- Do not immerse in water or other liquids for cleaning.
- Do not use with damaged cord or plug.
- Do not pull or carry by cord, use cord as a handle, close door on cord, pull cord around sharp corners or edges, or expose cord to heated surfaces.
- Do not unplug by pulling on cord.
- To protect against electrical shock do not immerse cord, plug, or appliance in water or other liquid.
- Unplug from the mains outlet when not in use, before putting on and taking off parts, and before cleaning.
- The use of accessory attachments not recommended by the appliance manufacturer may cause fire, electric shock or injury. Only use the accessories supplied by the manufacturer.

# **SAFETY INSTRUCTIONS**

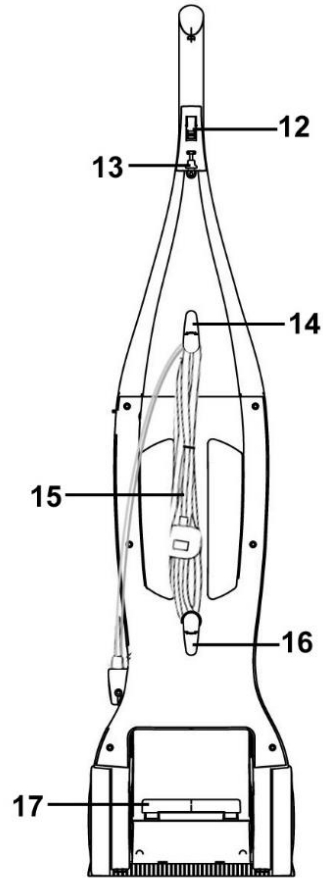
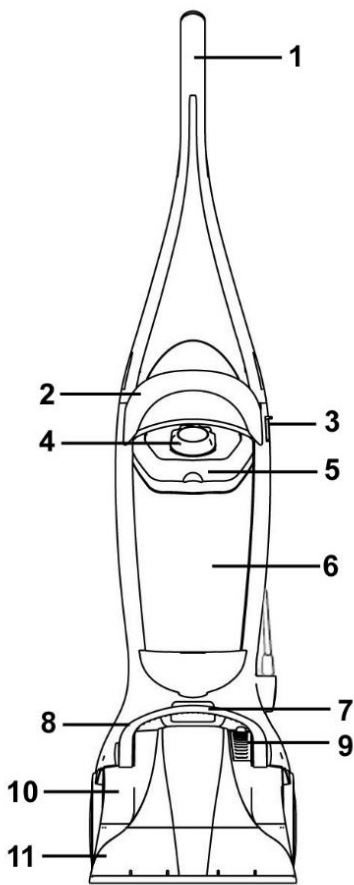
## **IMPORTANT SAFETY INSTRUCTIONS** **READ CAREFULLY AND KEEP FOR FUTURE REFERENCE**

### **WARNING:**

- Do not let the cord hang over the edge of the worktop, or touch hot surfaces.
- Never remove parts from the appliance such as the screws and so on.
- The filling aperture must not be opened during use.
- Do not immerse unit in water or other liquids.
- Close attention is necessary when used near children.
- Use extra care when cleaning on stairs.
- Quality testing during the manufacturing process may result in water droplets remaining within the water tank.
- Liquids must not be directed towards equipment containing electrical components, such as electrically heater floors.

# CARPET WASHER

## FEATURE DIAGRAM



1. Handle

2. Carry Handle

3. On/Off Switch

4. Clean water tank cap

5. Clean water tank release handle

6. Clean water tank

7. Dirty water tank locking latch

8. Dirty water tank release handle

9. Dirty water tank filter

10. Dirty water tank

11. Brush bar (not visible)

12. Clean water release trigger

13. Power cord tidy

14. Upper power cord holder

15. Power cord

16. Lower power cord holder

17. Handle release pedal

# CARPET WASHER ASSEMBLY

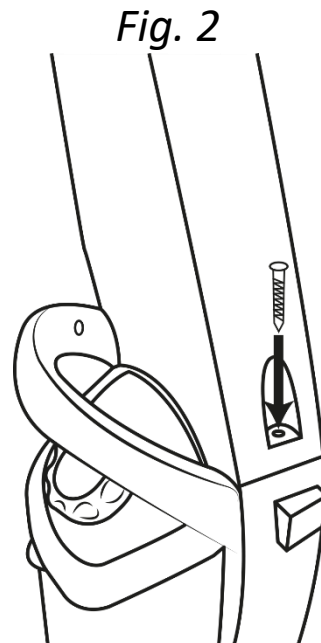
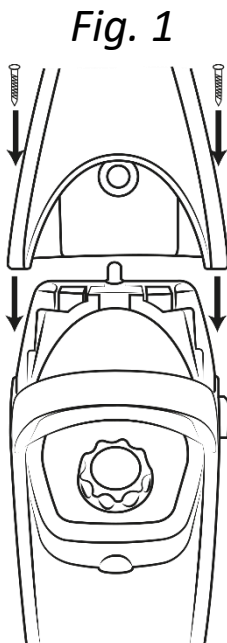
## Assembling Your Carpet Washer

**Note:** Do not plug the power cord into an electrical outlet until the machine is fully assembled.

### **You will need a cross-head screwdriver**

1. Carefully unpack all components and set aside the packaging.
2. Ensure the carpet washer is in the upright position.
3. Place the handle onto the base unit with the trigger facing backwards. [Fig. 1]
4. Once the handle is in place, secure the handle to the base unit with the two screws supplied using a cross-head screwdriver. [Fig. 2]

**Caution:** Do not over tighten the screws. Do not operate the vacuum without the handle screws in place.



**If you can see any damage do not use the carpet washer and contact Customer Services.**

# USING YOUR CARPET WASHER

## Prepare Your Carpet

**IMPORTANT: Do not use the carpet washer as a dry vacuum.**

Vacuum your carpet thoroughly. Ensure it is cleaned before you shampoo\*.

Remove as much furniture from the room as possible. If unable to remove the furniture, place plastic or foil under and around furniture legs until the carpet has dried completely.

## HELPFUL HINTS FOR CLEANING CARPET:

We recommend to use only the cleaning solution recommended by Russell Hobbs with this carpet washer. We cannot guarantee shampoos by other manufacturers will perform effectively.

Do not over-saturate the carpet with cleaning solution while using the carpet washer. (See page 9)

For heavily soiled areas, additional applications may be necessary.

Allow plenty of time for the carpet to dry thoroughly.

Wipe the cleaning solution from woodwork and furniture to prevent any damage.

After the carpet is thoroughly dry, vacuum the carpet using a vacuum cleaner with a revolving brush bar.

Before cleaning, determine where to start and end, making sure not to walk over previously cleaned areas.

Try not to walk on the carpet until it is completely dry.

\*Shampoo purchased separately

# USING YOUR CARPET WASHER

## How to Fill the Water Tank

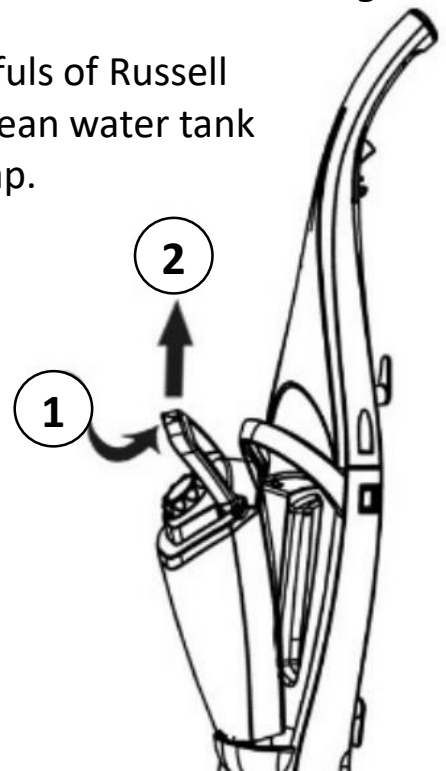
1. Lift the water tank release handle' upwards. Tilt the water tank away from the carpet washer and remove. [Fig. 3]

2. Unscrew the water tank cap. Add 1-4 capfuls of Russell Hobbs cleaning solution. Fill remainder of clean water tank with warm tap water (max 40°C). Replace cap.

Fig. 3

### IMPORTANT:

**Use only carpet cleaning solution recommended by Russell Hobbs. Using incorrect cleaning solutions may cause excess foaming. Excessive foam will prevent the machine from working effectively. Using other solutions will void the warranty. We cannot be held liable for damage caused by using a secondary cleaner.**



3. Place Clean Water Tank back to original position and press down release handle for security.

**Caution: Do not use the Carpet Washer without the Clean Water Tank in position**

## Check for Colour Fastness

Before cleaning the carpet, test for colour fastness. Dampen a white cloth with solution and test a small inconspicuous area. Gently rub the cloth over the area. Check for colour bleeding. If the cloth remains clean, it should be safe to clean the carpet.

# USING YOUR CARPET WASHER

## Start to use your Carpet Washer

1. Plug the cord into the electrical socket. Turn on the machine by using the on/off switch located on the side of the machine.

**IMPORTANT: Never leave unit unattended with power on. Turn off when emptying and filling tanks.**

2. Step on the handle release pedal to lower the machine into the cleaning position [Fig. 4]. While pressing the trigger, pull the carpet washer in a backward motion. Release the trigger and push the unit forward in the same path to agitate and remove dirty water and solution from the carpet. (For heavily soiled areas, repeat if necessary).

**IMPORTANT: For best cleaning results use a steady, moderate, forward and backward motion. Always work from back to front across the room to avoid stepping on wet carpet and lowering the pile.**

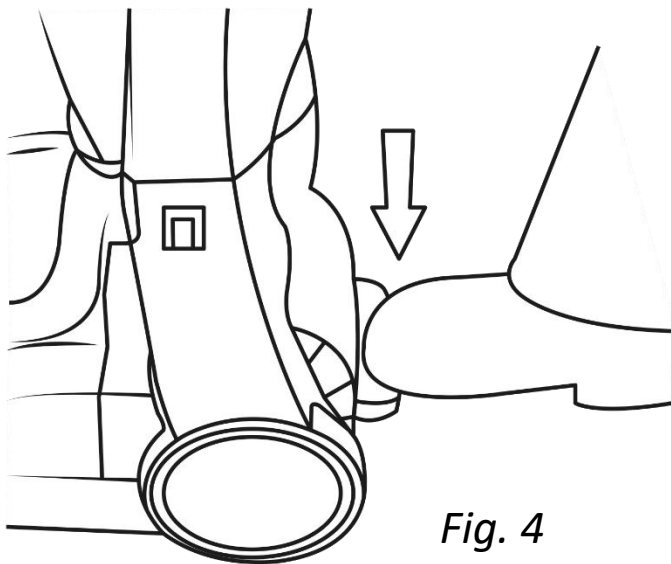


Fig. 4

# USING YOUR CARPET WASHER

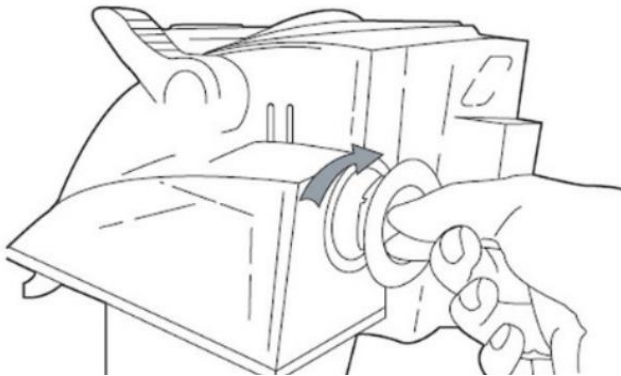
## Emptying your Carpet Washer

1. When you have finished cleaning, or when the dirty water tank is full, remove the dirty water tank by pressing the release tab behind the handle [Fig. 5]



*Fig. 5*

2. Twist the dirty water tank outlet cap to the left and remove, empty, rinse and replace the tank. [Fig.6]



*Fig. 6*

Note: Allow the carpet cleaner to dry before storage.

# CLEANING THE FILTERS

## **AFTER CLEANING:**

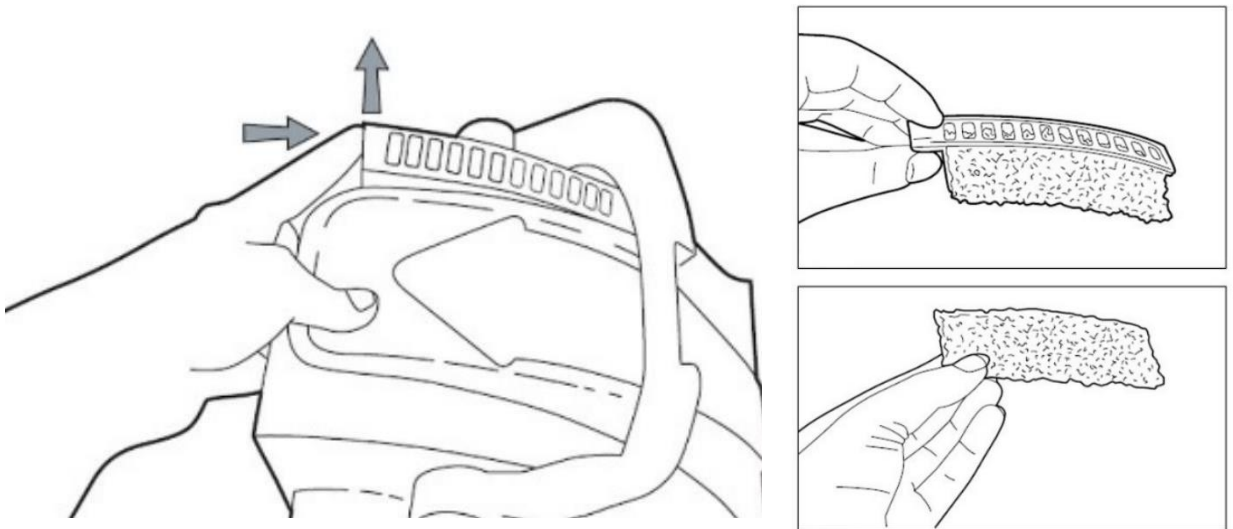
Allow the carpet to dry completely. Try not to walk on the carpet until it is dry. If it is necessary to walk on the carpet, place white towels on the areas to be walked on. If the carpet is not dry and the furniture must be placed back in the room, use plastic or foil under the furniture to prevent staining the carpet. Thoroughly clean the dirty water tank with warm (max 40°C) tap water.

## **Cleaning the Filters**

There are two filters in the carpet washer that must be cleaned regularly to maintain performance.

### **Dirty Water Tank Filter**

There is a filter located in the top of the dirty water tank. Remove the filter cover from the top of the dirty water tank, remove the filter and rinse with warm water. Allow it to dry thoroughly before storing.

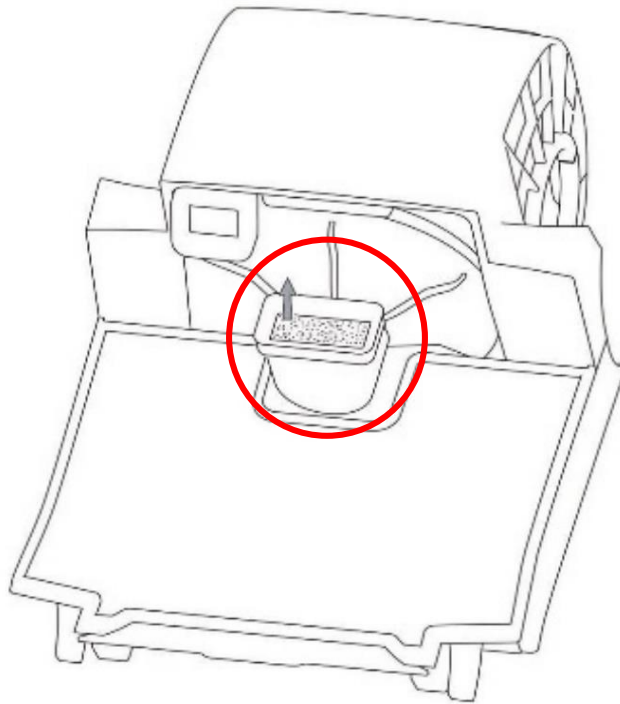


# CLEANING THE FILTERS

## **Cleaning the Pre-Motor Filter**

To access the pre-motor filter, remove the dirty water tank. The filter is located in the base unit [Fig. x].

Rinse with warm water and allow it to dry before reuse or storage.



**NOTE: Do not store the cleaner with solution in the clean water tank or dirty water in the dirty water tank. Mineral deposits and mildew can form which will affect the performance of the carpet washer on next use.**

# Using the Solution

## Instructions for Use

Only use Russell Hobbs Carpet Shampoo's with this machine.

We recommend usage as follows:

	Amount to Use
For refreshing a clean carpet	1 Cap
For a regular to moderate clean	2 Caps
For a moderate to deep clean	3 Caps
For an in-depth clean	4 Caps

For stubborn stains, put a very small amount of the shampoo directly onto the stain. Blot with a damp paper towel and allow to settle for 30 seconds before using the carpet cleaner as usual over the stain.

*\*Always follow dosage recommended on label of the solution.  
Dosage may vary by solution.*

# PROBLEM SOLVING

PROBLEM	POSSIBLE CAUSE	SOLUTION
Cleaner Won't Run	<ol style="list-style-type: none"> <li>1. Not properly plugged into outlet.</li> <li>2. No electricity in wall outlet</li> <li>3. On/Off switch not turned on.</li> <li>4. Blown fuse/tripped breaker.</li> </ol>	<ol style="list-style-type: none"> <li>1. Plug in firmly.</li> <li>2. Reset circuit breaker or replace the fuse.</li> <li>3. Push on/off switch to on.</li> <li>4. Check fuse or breaker.</li> </ol>
Water keeps leaking from the brush bar.	<ol style="list-style-type: none"> <li>1. None recommended cleaning solution used.</li> <li>2. Trigger partially blocked.</li> </ol>	<ol style="list-style-type: none"> <li>1. Use warm water 40 degrees and flush the unit.</li> <li>2. Use warm water 40 degrees and flush the unit. Whilst pressing and releasing the trigger.</li> </ol>
The carpet feels wet/water logged.	<ol style="list-style-type: none"> <li>1. Too much cleaning solution used in one area.</li> </ol>	<ol style="list-style-type: none"> <li>1. Use less cleaning solution over the cleaning area. Run the carpet cleaner over the area without pressing the trigger to remove excess water.</li> </ol>
The stain on the carpet does not appear to be cleaned.	<ol style="list-style-type: none"> <li>1. Pre-treatment is necessary prior to using the carpet cleaner.</li> </ol>	<ol style="list-style-type: none"> <li>1. Use a pre-treatment cleaner on the stained area and brush away prior to using the carpet cleaner.</li> </ol>

# **GUARANTEE AND CUSTOMER SERVICES**

At Russell Hobbs, we take all our customer feedback seriously.

**Feel free to contact our Product Care Team, on 0345 209 7461 who will be more than happy to assist you.**

This product is guaranteed for **12 months** from the date of the original purchase. If any defect arises due to faulty materials or workmanship, the faulty product must be returned to the place of purchase.

Refund or replacement is at the discretion of the retailer.

## **The following conditions apply:**

- The product must be returned to the retailer with the original proof of purchase.
- The product must be installed and used in accordance with the instructions contained in this instruction guide and any other instructions for use which are supplied.
- It must be used for domestic purposes only and for its intended use.
- This warranty does not cover wear and tear, damage, misuse or consumable parts.

**This does not affect your statutory rights.**

# SPARE PARTS

To order carpet cleaning solution and to check the availability spare parts, please contact our friendly Customer Services team on:

**0345 209 7461**

Or visit us at

**<http://mda.russellhobbs.com>**

# CONNECTION TO THE MAINS SUPPLY

## **WARNING- THIS APPLIANCE MUST BE EARTHED**

This appliance is designed to operate from a mains supply of  
220-240V~ 50/60Hz.

Check that the voltage marked on the product corresponds  
with your supply voltage.

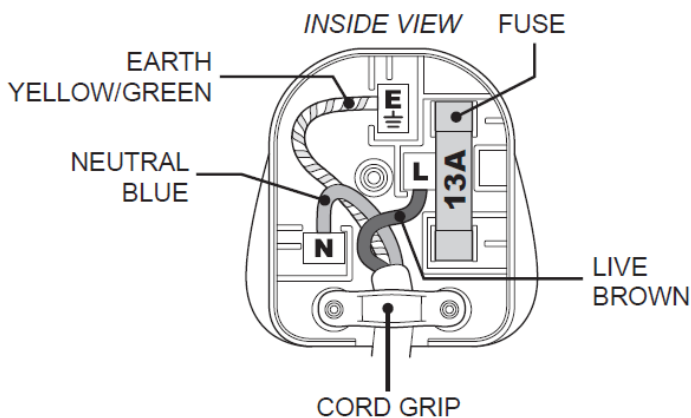
This product is fitted with a 13A plug complying with BS1363.  
If this plug is unsuitable or needs to be replaced, refer to customer  
services.

Important: The wires in the mains lead are coloured in  
accordance with the following code:

**GREEN/YELLOW** – EARTH

**BLUE** - NEUTRAL

**BROWN** – LIVE



# CONNECTION TO THE MAINS SUPPLY

## For UK use only – PLUG

- As the colours of the wires in the mains lead of this appliance may not correspond with the coloured markings identifying the terminals in your plug, proceed as follows:
- The **GREEN/YELLOW** wire is the EARTH and must be connected to the terminal which is marked with the letter E or by the earth symbol or coloured **GREEN** or **GREEN/YELLOW**.
- The **BLUE** wire is the NEUTRAL and must be connected to
- the terminal marked with the letter N or coloured **BLACK**.
- The **BROWN** wire is the LIVE wire and must be connected to
- the terminal marked with the letter L or coloured **RED**.
- **Always ensure that the plug cord grip is fastened correctly.**
- If a 13A (BS1363) fused plug is used it must be fitted with a
- 13amp fuse conforming to BS1362 and be BSI or ASTA approved.

If the fuse cover is lost the plus must not be used until a replacement is obtained from an electrical supplier.

If you need to remove the plug, cut it from the mains lead and dispose of it. NEVER attempt to re-use this plug or insert it into a socket outlet, as there is a very great risk of electrical shock.



# Russell Hobbs

For Customer Services & Spare  
Parts please call  
**0345 209 7461**  
Or visit us at  
**<http://mda.russellhobbs.com>**

Revision 4.3  
Model: RHCC5001

Made by G2S Ltd under license.  
G2S Limited, Wigan, WN2 4AY  
Russell Hobbs is the registered  
trademark of  
Spectrum Brands (UK) Ltd.



This symbol is known as the 'Crossed-out wheellie bin Symbol'. When this symbol is marked on a product/batteries, it means that the product/batteries should not be disposed of with your general household waste. Only discard electrical/electronic/battery items in separate collection schemes, which cater for the recovery and recycling of materials contained within. Your co-operation is vital to ensure the success of these schemes and for the protection of the environment. For your nearest disposal facility, visit [www.recycle-more.co.uk](http://www.recycle-more.co.uk) or ask in store for details.

We reserve the right, due to possible changes to design, to alter the instruction manual without prior notice.