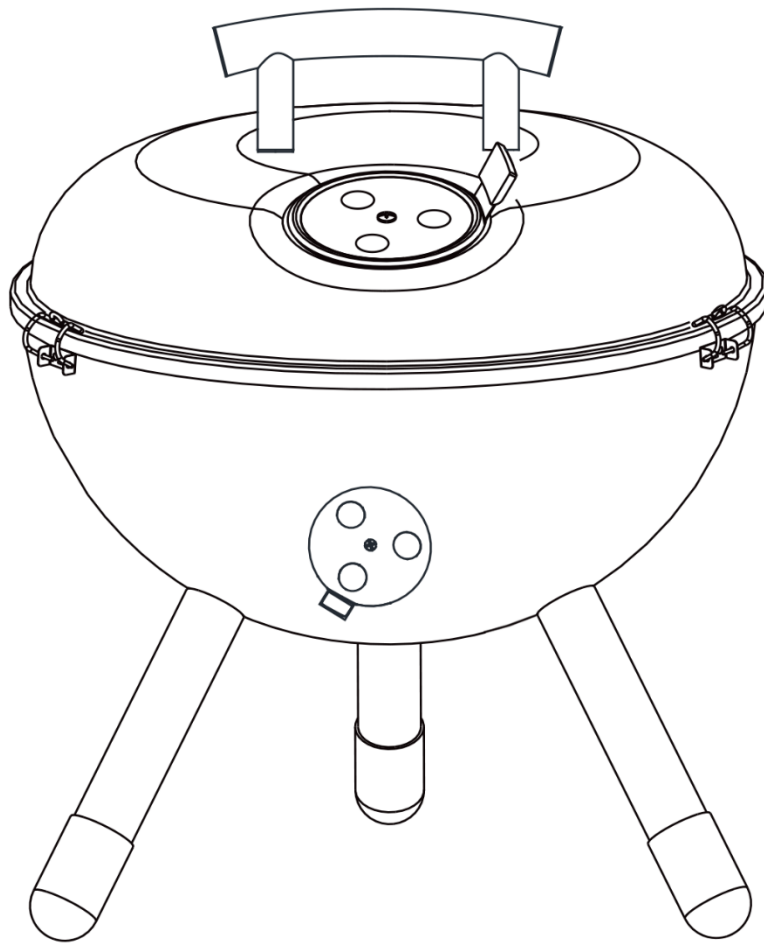


# GEORGE FOREMAN®

## PORTABLE BBQ GFPTBBQ1401B



### **WARNING: CARBON MONOXIDE HAZARD**

Burning charcoal indoors can kill you. It gives off carbon monoxide which has no odour. NEVER burn charcoal in enclosed spaces e.g. homes, vehicles or tents.

**PLEASE RETAIN INSTRUCTIONS FOR FUTURE REFERENCE**

For Customer Services and Spare Parts please call **0345 209 7461**  
Or visit us at **[bbqs.georgeforeman.co.uk](http://bbqs.georgeforeman.co.uk)**

# CONTENTS

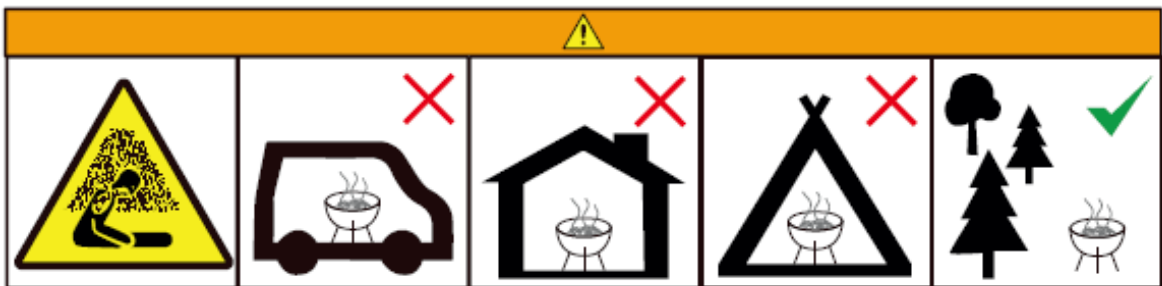
	<b>Page(s)</b>
Safety instructions	<b>3</b>
BBQ Feature Diagram	<b>4</b>
BBQ Assembly	<b>5-8</b>
Lighting your BBQ	<b>9</b>
Food Safety	<b>10</b>
Cleaning and care	<b>11</b>
Guarantee and customer services	<b>12</b>
Notes	<b>13-15</b>

# SAFETY INSTRUCTIONS

## WARNING: IMPORTANT SAFETY INSTRUCTIONS

### READ CAREFULLY AND KEEP FOR FUTURE REFERENCE

- The Barbeque must be installed on a secure level base prior to use.
- The Barbeque should be heated up for at least 30 minutes prior to the first cooking on the barbeque.
- Ensure that the coals placed do not exceed half the height between the cooking grill and the coal area.
- **WARNING: This barbecue will become very hot, do not move it during operation.**
- **WARNING: Do not use spirit or petrol for lighting or re-lighting! Use only firelighters complying to EN 1860-3!**
- **WARNING: Keep children and pets away.**
- **WARNING: Do not use the barbecue in a confined and/or habitable space e.g. houses, tents, caravans, motor homes, boats. Danger of carbon monoxide poisoning fatality.**



Carbon Monoxide  
Poisoning Hazard

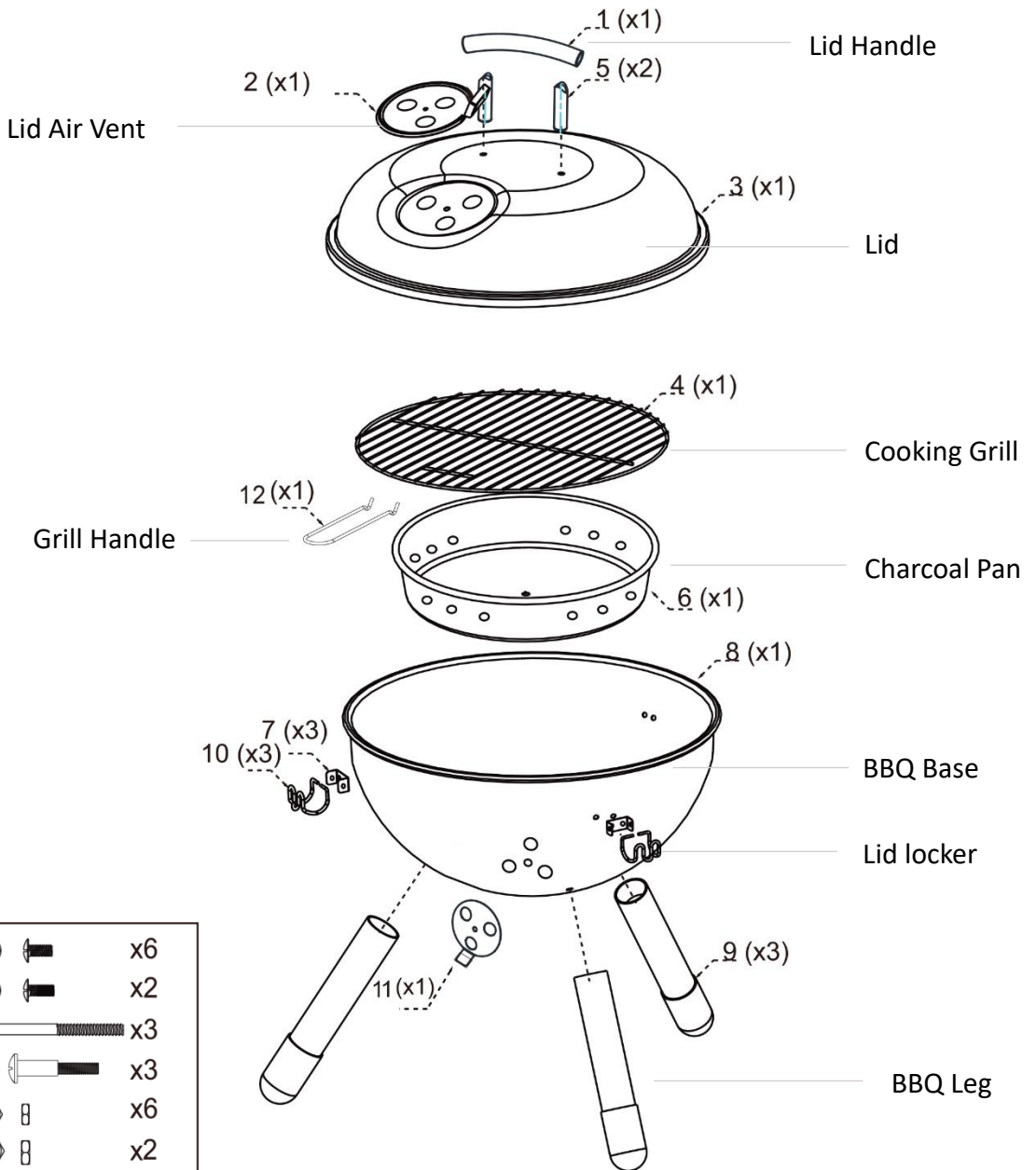
Do Not Use  
in Motor  
Homes

Do Not Use  
Indoors

Do Not Use in  
Tents

Use in Open  
Spaces

# BBQ FEATURE DIAGRAM



A. M4x10		x6
B. M5x12		x2
C. M6x70		x3
D. M6x50		x3
E. M4		x6
F. M5		x2
G. Φ5x12		x2
H. Φ6x16		x2
I. Φ6x25		x3
J. Φ5		x2
K. M6		x1

You will need:

- Adjustable spanner
- Crosshead screwdriver



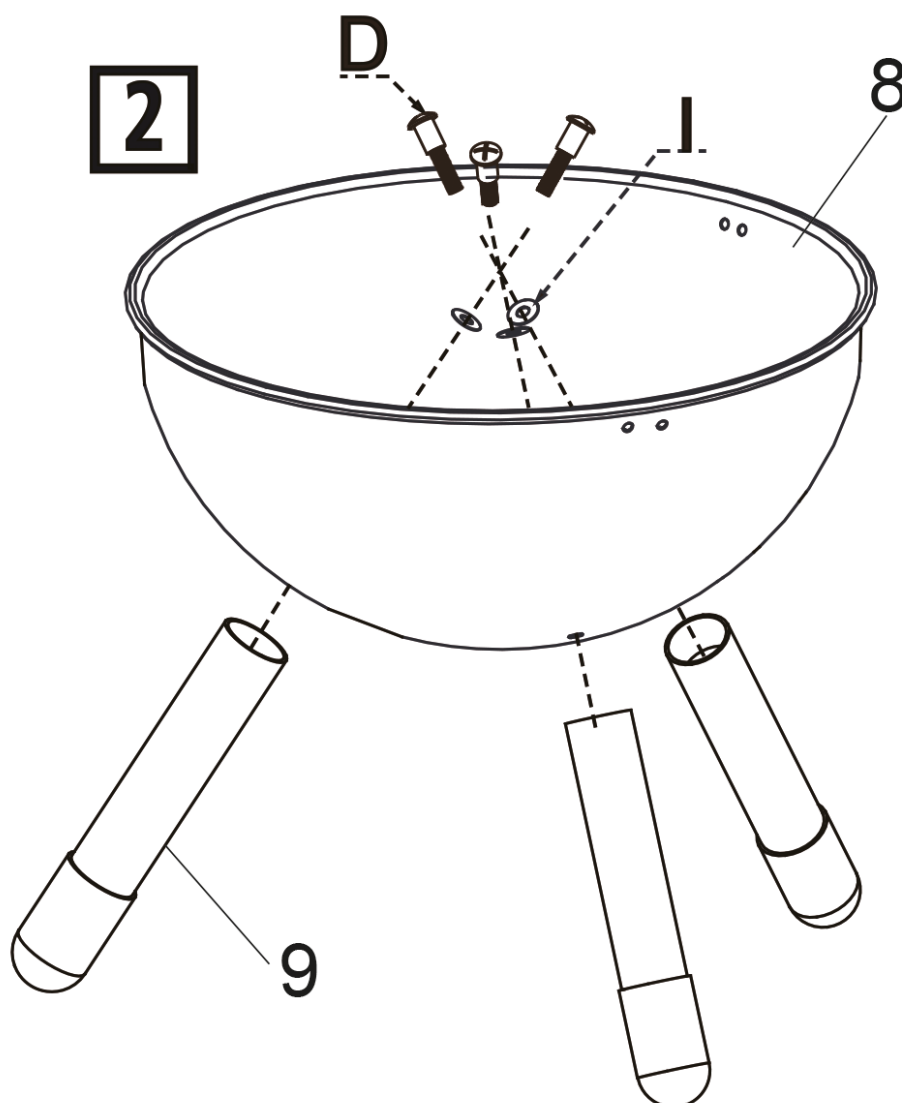


# BBQ ASSEMBLY

## STEP 2 – Assembling the legs

- Attach the **legs (9)** onto the BBQ **base** using 3 of the “**I**” washers and 3 of the “**D**” screws.

*Ensure the washers and screws are placed on the inside of the BBQ base.*



# BBQ ASSEMBLY

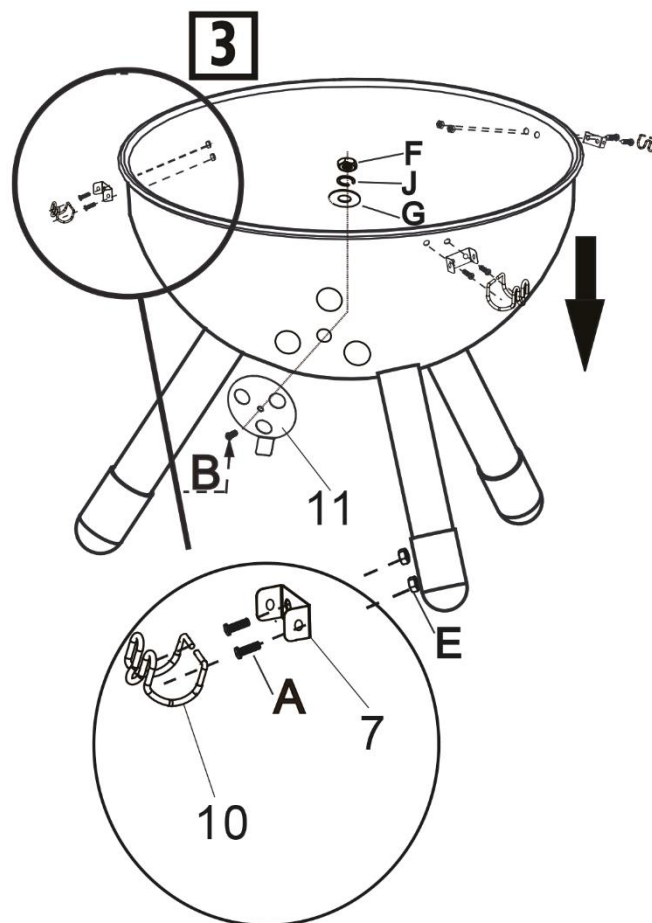
## STEP 3 – Assembling the BBQ Base

- Attach one of the **lid lockers** (10) onto the BBQ **base** using 2 of the “A” screws, 1 of the U shaped bracket “7” and 2 of the “E” Nuts. Repeat the same method to assembly the other 2 **lid lockers**.

*Ensure the screws and U shape bracket are placed on the outside of the BBQ base and nuts are placed on the inside of the BBQ base.*

Attach the air vent to the outside of the BBQ base using 1 of the “B” screws, 1 of the “J” washers, 1 of the “G” washers and 1 of the “F” nuts.

*Ensure the screw is placed on the outside of the BBQ base and the nut is placed on the inside of the BBQ base.*

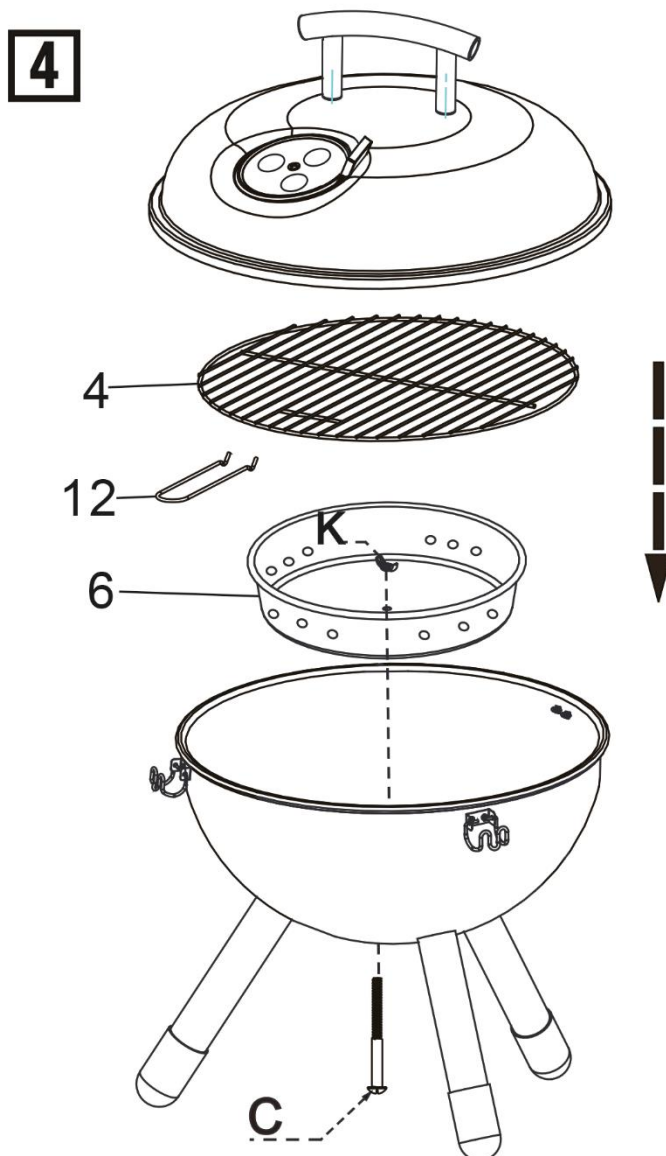


# BBQ ASSEMBLY

## STEP 4 – Assembling your BBQ

- Place the **cooking grill (4)** into the **BBQ base** of the BBQ to sit on top of the **charcoal pan (6)** which is fixed inside of the BBQ base by 1 of the “K” wingnut.
- Place the **lid assembly** onto the **BBQ base** of the BBQ.

Your BBQ is now assembled. The **grill handle (12)** is provided to move the **cooking grill** when needed.



# LIGHTING YOUR BBQ

**WARNING! Do not use spirit or petrol for lighting or re-lighting. Use only firelighters complying to EN 1860-3.**

1. Remove the cooking grill and place a small quantity of charcoal into the charcoal pan. Light in accordance with the instructions on the charcoal pack.
2. Close the lid and open the air vent to ensure the charcoal lights. Opening the air vents will increase the airflow and cause the charcoal to burn faster. Wear oven gloves when adjusting the air vent.
3. When the charcoal becomes red hot, add more charcoal for cooking. The maximum fill level for charcoal is 1 kg.
4. Replace the cooking grill and wait approximately 20-30 minutes before cooking. Do not cook before the charcoal has a coating of ash.

**WARNING:** When using your barbecue for the first time, allow the charcoal to remain red hot for at least 30 minutes before cooking.

**WARNING:** Accessible parts will be hot - wear oven gloves when touching the barbecue and adjusting the air vent.

**WARNING:** Do not extinguish with water as this may damage the barbecue.

# FOOD SAFETY

- Thoroughly defrost frozen meat and poultry in the refrigerator before cooking. Keep raw meat and poultry separate from cooked foods.
- Always wash hands after handling raw meat and poultry, before handling any ready to eat foods.
- Wipe and disinfect surfaces that have been in contact with raw meat and poultry.
- When barbecuing meat and poultry, make sure the barbecue is extremely hot. Place the larger, thicker portions furthest away from the most intense heat to ensure thorough cooking without burning and turn regularly.
- Use separate utensils for handling raw meat/poultry and cooked food on the barbecue, or wash them thoroughly between uses.
- To check whether meat, particularly poultry, is cooked, pierce the flesh with a skewer or fork; the juices should run clear. Ensure the product is piping hot throughout.

# CLEANING AND CARE

## Removing the Ash

- Allow the barbecue and ash to become completely cold before emptying.
- Remove the cooking grill before inverting the barbecue and emptying the ash into a suitable container.

## Care and Maintenance

- Empty the ash from the barbecue and clean after each use.
- The lid and base of BBQ, the charcoal pan and the cooking grill can be cleaned using barbecue cleaning fluid. Avoid using wire wool and brushes as these may scratch the surface.
- When not in use this barbecue should be stored in a dry location or under a waterproof cover.

# GUARANTEE AND CUSTOMER SERVICES

This product is guaranteed for **12 months** from the date of the original purchase. If any defect arises due to faulty materials or workmanship, the faulty product must be returned to the place of purchase.

Refund or replacement is at the discretion of the retailer.

## **The following conditions apply:**

- The product must be returned to the retailer with the original proof of purchase.
- The product must be installed and used in accordance with the instructions contained in this instruction guide and any other instructions for use which are supplied.
- It must be used for domestic purposes only and for its intended use.
- This guarantee does not cover wear and tear, damage, misuse or consumable parts.

**This does not affect your statutory rights.**

For Customer Services & Spare Parts please call **0345 209 7461**

Or visit us at **[bbqs.georgeforeman.co.uk](http://bbqs.georgeforeman.co.uk)**

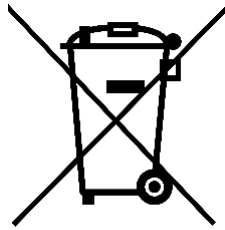
# NOTES

# NOTES

# NOTES

# GEORGE FOREMAN®

## PORTABLE BBQ GFPTBBQ1401B



Made under license by G2S Limited, Wigan,  
WN2 4AY/G2S (NI) Ltd, Belfast, BT5 5AD.

George Foreman is the registered trademark  
of Spectrum Brands (U.K.) Ltd.

For Customer Services & Spare Parts please  
call **0345 209 7461**

Or visit us at **[bbqs.georgeforeman.co.uk](http://bbqs.georgeforeman.co.uk)**

Revision 1.3