



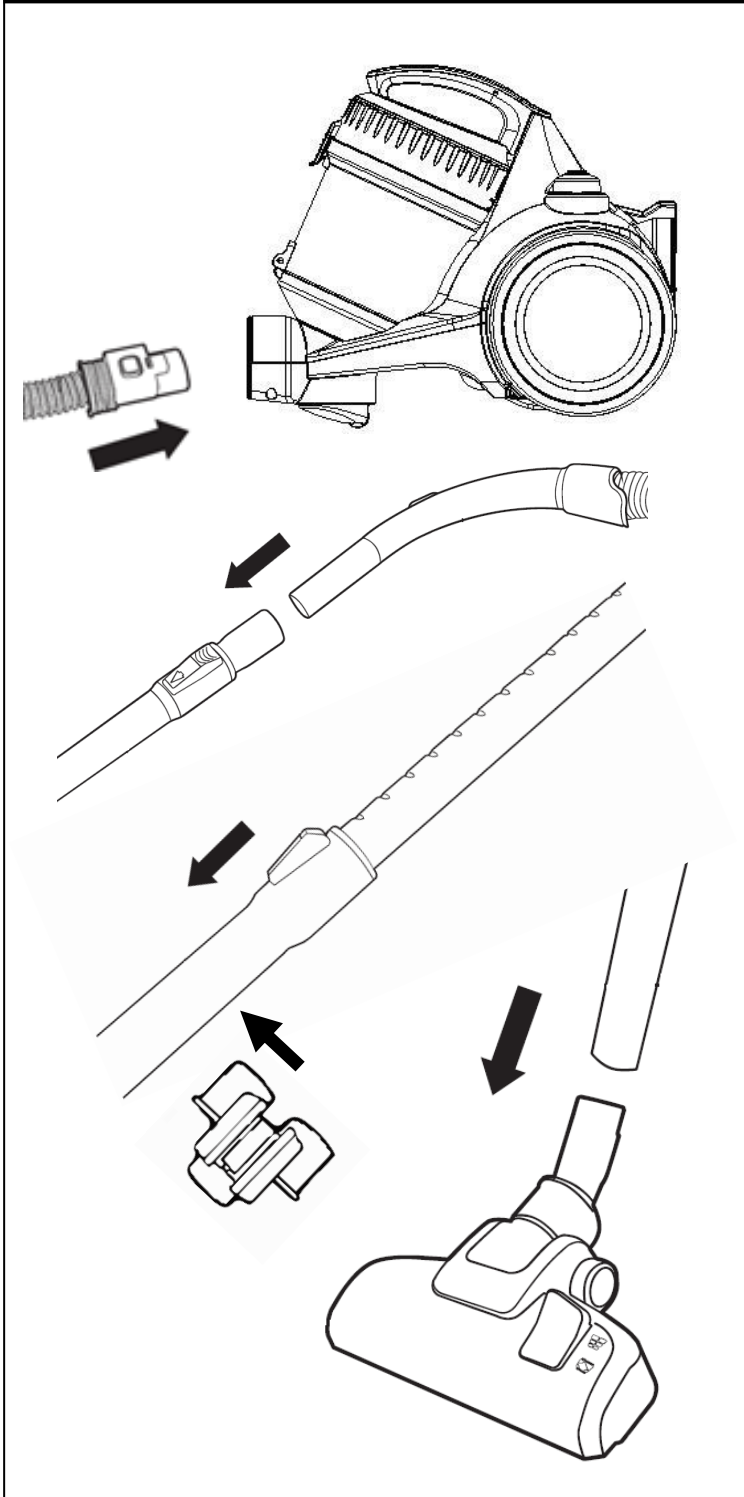
# Russell Hobbs

# COMPACT XS

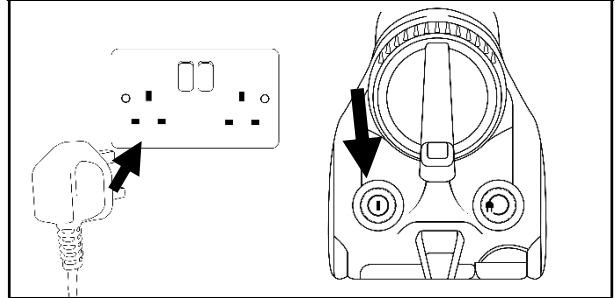
## Operating Manual

RHCV1611

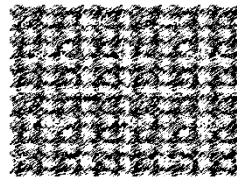
### ASSEMBLY



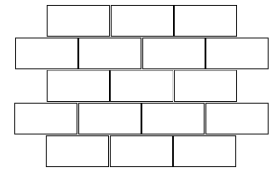
### POWERING ON



### SUITABLE FOR USE



Carpet



Hard Floors

### WASH FILTERS

Wash the filters with cold water at least once a month

**1**  
MONTH

**REGISTER YOUR  
FREE 1 YEAR  
GUARANTEE  
TODAY**

# GUARANTEE

At Russell Hobbs, we take all our customer feedback seriously.

Feel free to contact our Product Care Team, on **0345 209 7461** who will be more than happy to assist you.

This product is guaranteed for 12 months from the date of the original purchase. If any defect arises due to faulty materials or workmanship, the faulty product must be returned to the place of purchase.

Refund or replacement is at the discretion of the retailer.

The following conditions apply:

- The product must be returned to the retailer with the original proof of purchase.
- The product must be installed and used in accordance with the instructions contained in this instruction guide and any other instructions for use which are supplied.
- It must be used for domestic purposes only and for its intended use.
- This guarantee does not cover wear and tear, damage, misuse or consumable parts.
- This does not affect your statutory rights.

## RUSSELL HOBBS CONTACT DETAILS

**Website:** <https://mda.russellhobbs.com>

**Telephone:** 0345 209 7461

**Address:** Product Care Customer Service, Green Bank Business Park, Hindley Green, Wigan, WN2 4AY

Note your serial number below for future reference.



*Image for illustration purposes only*

## REGISTER ONLINE

Visit our website to register your full parts and labour guarantee online.

<https://mda.russellhobbs.com>

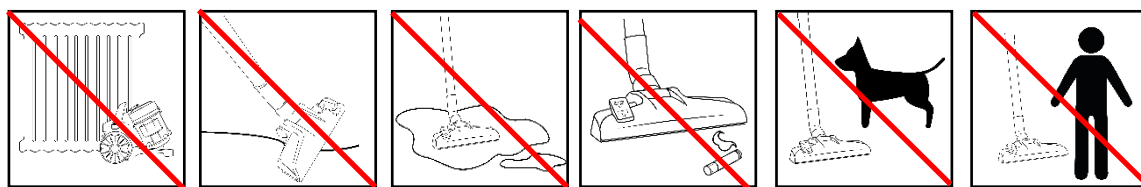
## REGISTER BY PHONE

Call our friendly Product Care team.

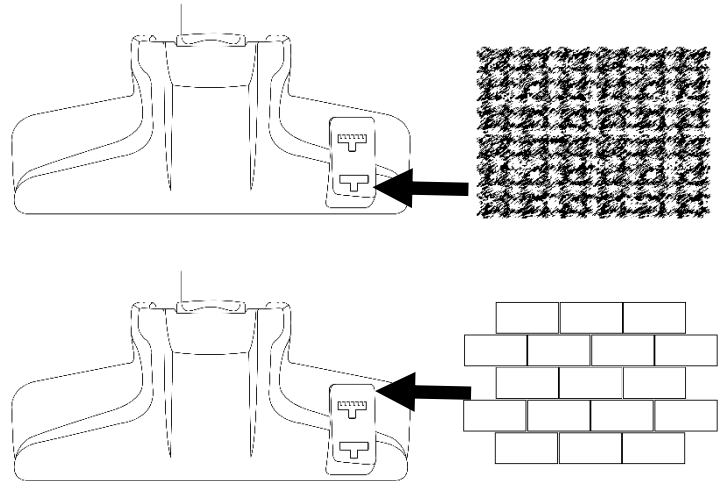
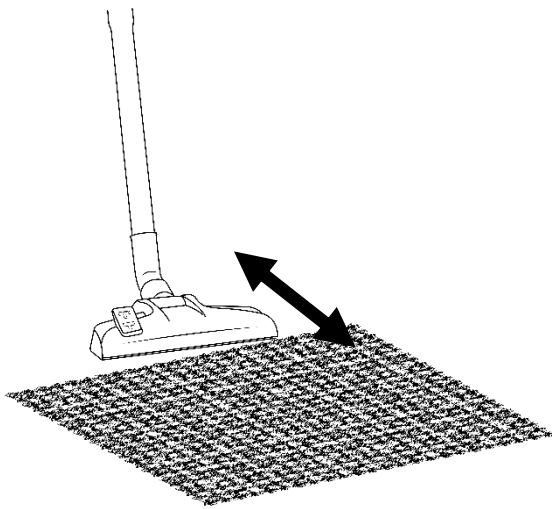
0345 209 7461

# IMPORTANT SAFETY INSTRUCTIONS

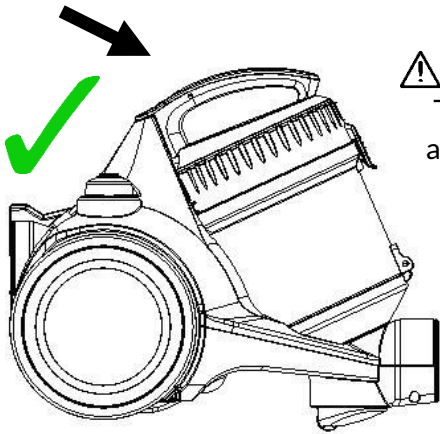
- It is hazardous for anyone other than a competent person to carry out any service or repair operation that involves the removal of a cover which gives protection against exposure to electrical parts.
- If the supply cord is damaged, it must be replaced by the manufacturer, its service agent or similarly qualified persons in order to avoid a hazard. Do not use with damaged cord or plug. Do not run the vacuum cleaner over any cables, or its own power cable. As this will result in damaging the cable.
- This product is intended for household use only. Do not use outdoors.
- This appliance can be used by children aged from 8 years and above and persons with reduced physical, sensory or mental capabilities or lack of experience and knowledge if they have been given supervision or instruction concerning use of the appliance in a safe way and understand the hazards involved. Children should not play with the appliance. Cleaning and user maintenance should not be made by children without supervision.
- Do not direct at people, animals, electrical outlets, or equipment containing electrical components.
- Do not use this appliance to pick up water or any other liquids, combustible substances or hot/burning objects.
- Unplug from outlet when not in use, and before putting on and taking off parts, and before cleaning. Do not leave unattended whilst plugged in.
- Do not use appliance if it has been dropped, damaged, left outdoors or dropped into water. Do not operate this appliance for anything other than its intended use.
- Keep the appliance and adapter away from water; do not allow it to get wet.
- If unit is wet, do not plug unit into wall socket or turn unit on. Do not immerse in water or other liquids for cleaning. Do not handle the appliance with wet hands.
- Do not pull or carry by cord, use cord as a handle, close door on cord, pull cord around sharp corners or edges, or expose cord to heated surfaces.
- The use of accessory attachments not recommended by the manufacturer may cause fire, electric shock or injury. Only use the accessories supplied by the manufacturer.
- Only use the appliance when fully assembled.
- Never place your fingers or other objects into any part of the appliance. Be aware that loose clothing or hair may become trapped in the cleaner if improperly used.
- Caution: Exhaust air discharged from the sides of the appliance may extinguish a gas fire, pilot light, or disturb ashes in an open fire. Always avoid directing the appliance toward naked flames. Before use, ensure that all of the air vents are clear and there is no restriction of air flow.



# OPERATION

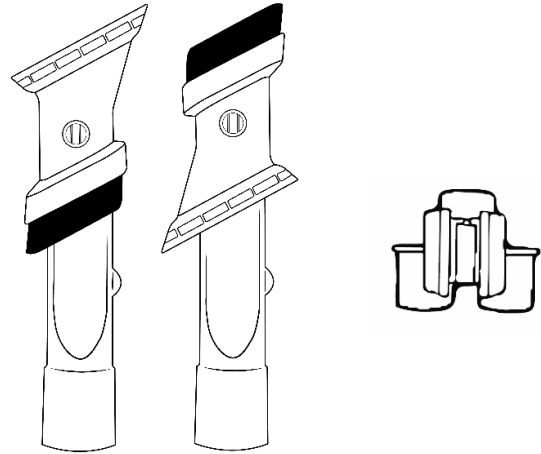


# CARRYING THE APPLIANCE

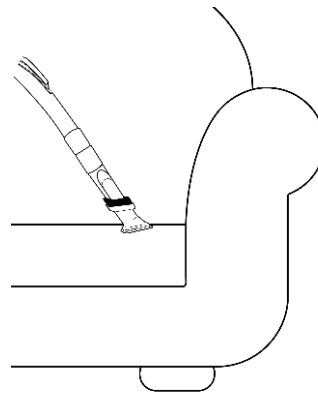
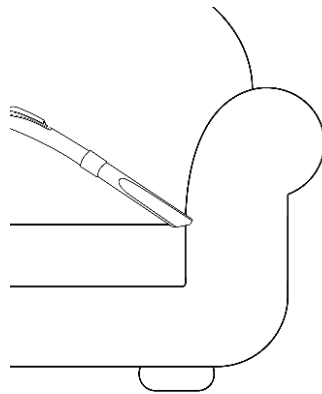
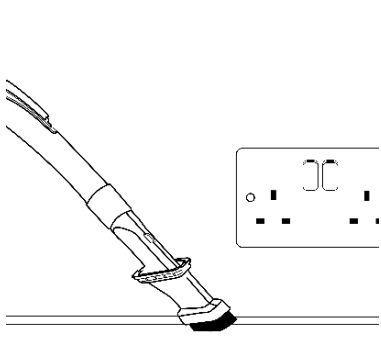


**⚠ CAUTION ⚠**  
Take care using  
as a carry handle

# TOOL ATTACHMENTS



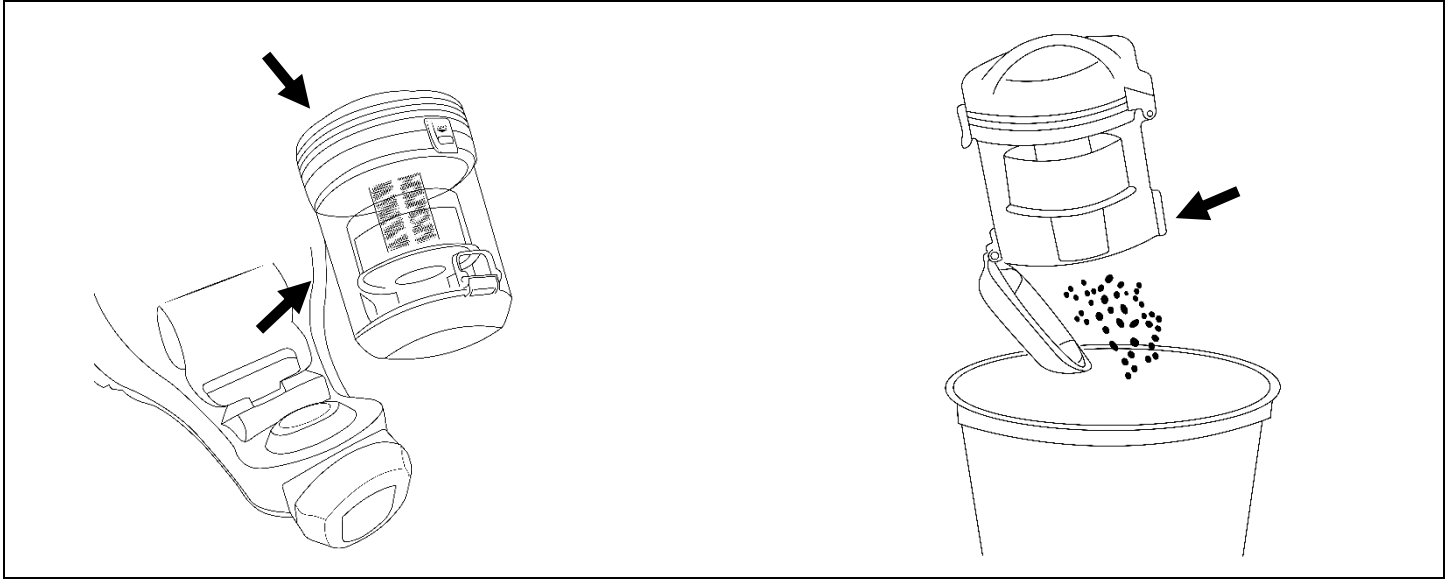
# TOOL ATTACHMENTS



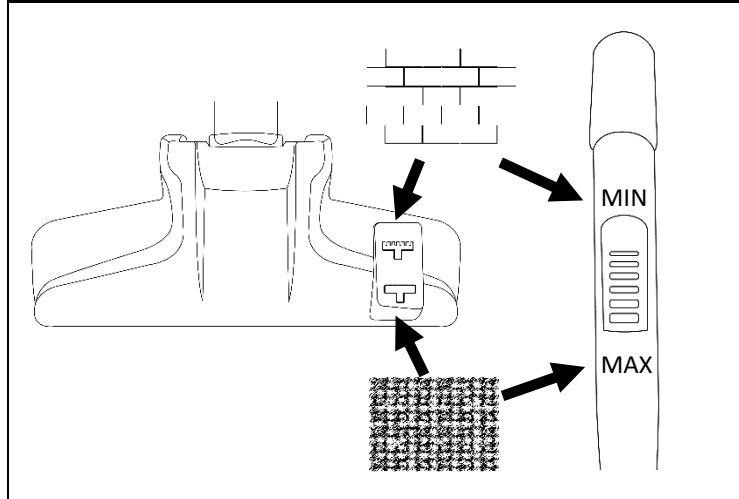
*\*Do not use on animals*



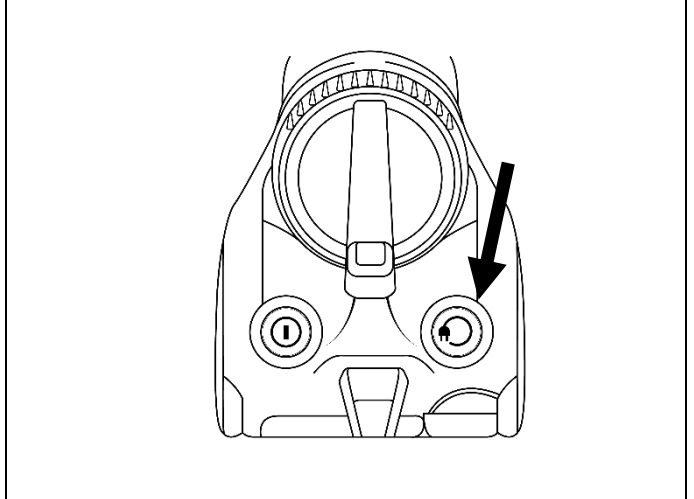
## EMPTYING THE BIN



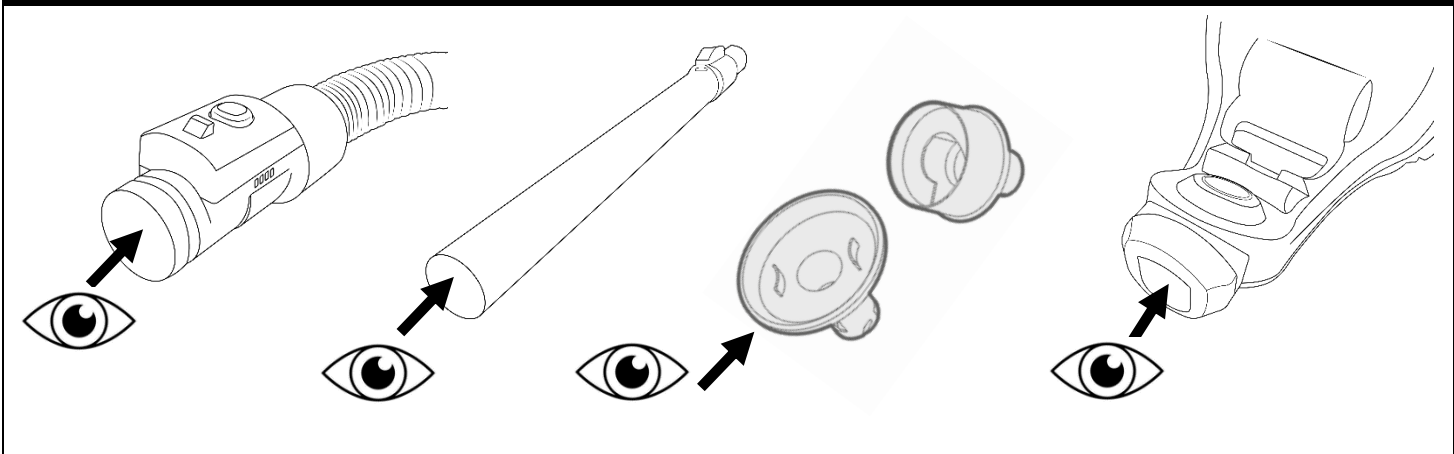
## CARPETS OR HARD FLOORS



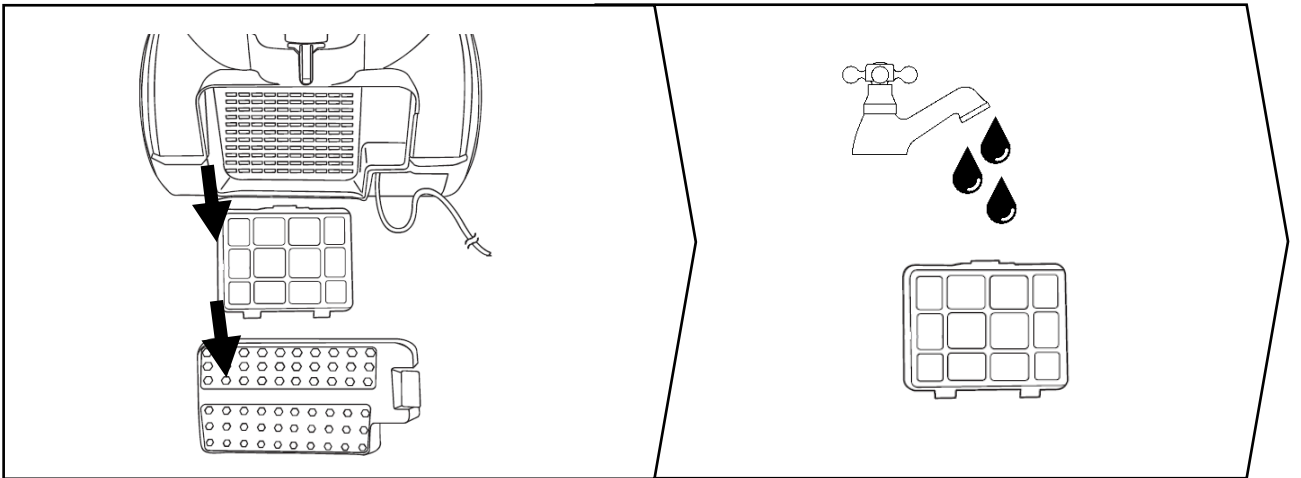
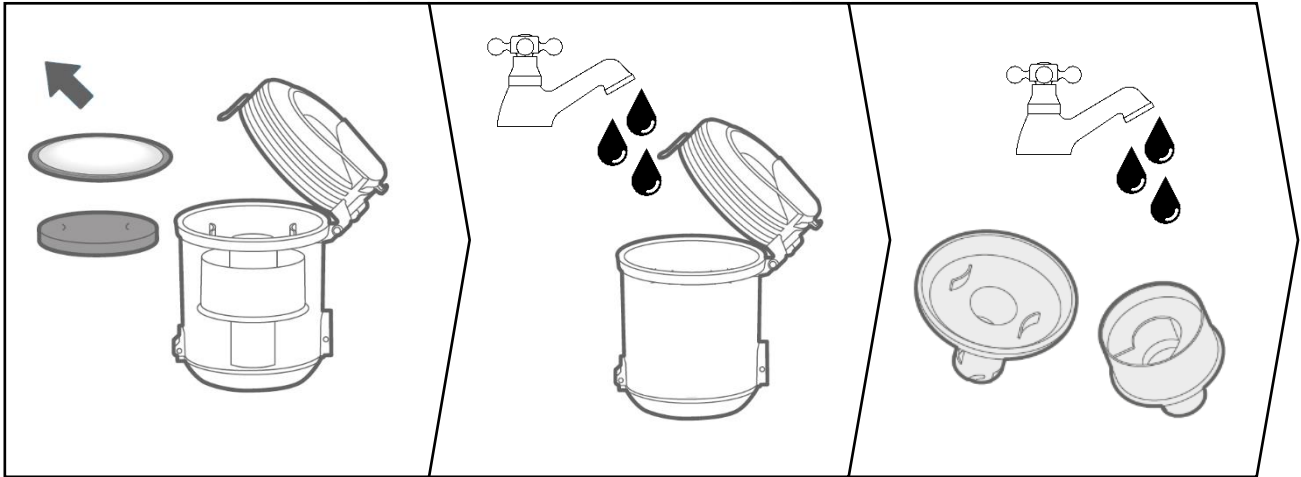
## CORD REWIND



## CHECKING FOR BLOCKAGES



# IMPORTANT! WASH THE FILTERS



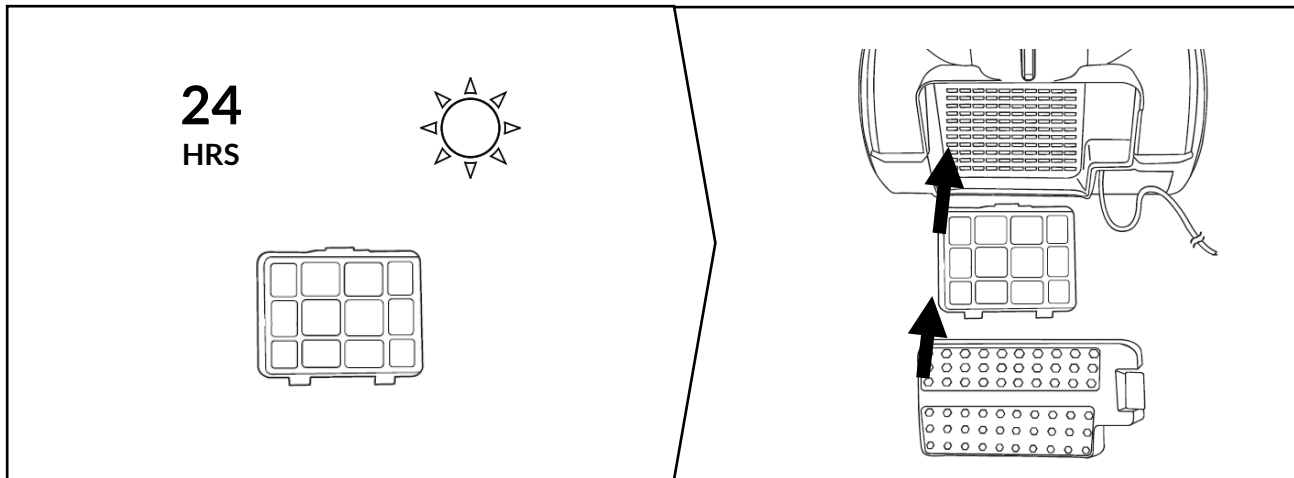
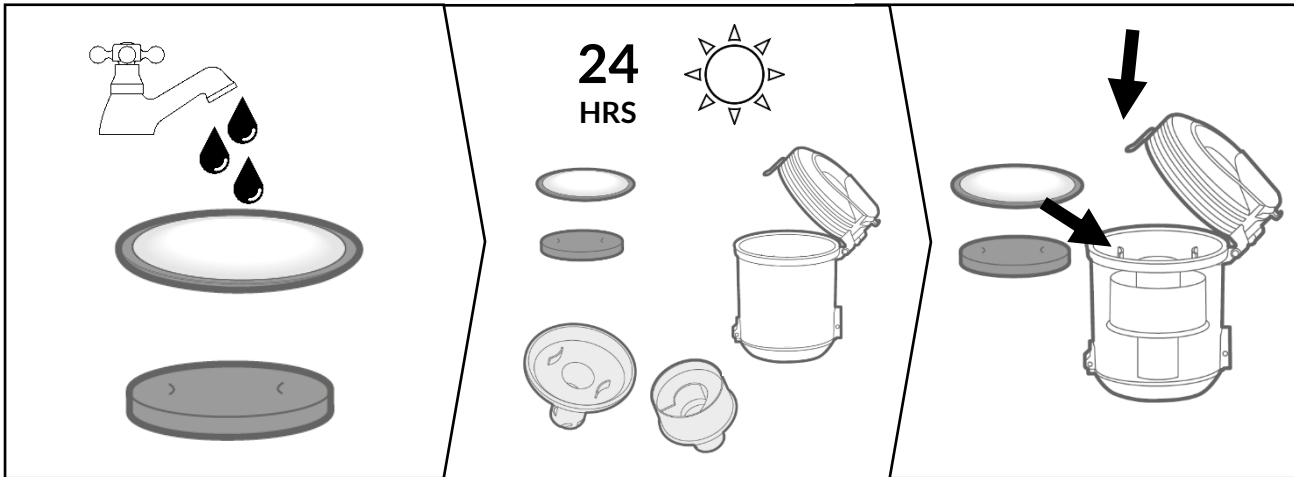
**REGISTER YOUR  
FREE 1 YEAR  
GUARANTEE  
TODAY**

**WASH FILTERS**

Wash the filters with cold water at least once a month

**1**  
MONTH

# IMPORTANT! WASH THE FILTERS



**REGISTER YOUR  
FREE 1 YEAR  
GUARANTEE  
TODAY**

**WASH FILTERS**

Wash the filters with cold water at least once a month

**1**  
MONTH

## PROBLEM SOLVING

The vacuum cleaner doesn't switch on	<ul style="list-style-type: none"><li>• Check the vacuum is plugged in</li><li>• Check the socket is switched on</li><li>• Check another appliance in the socket</li><li>• Check for any obvious signs of damage to cord or plug</li><li>• If recently used, allow to cool for 1 hour then try again</li></ul>
The suction is decreasing and dirt is not adequately being picked up	<ul style="list-style-type: none"><li>• Check if the dust canister is full; if so, empty it</li><li>• Clean the filters following the instructions in this manual</li><li>• Check there are no blockages in the hose, and clear any obstructions</li></ul>
Vacuum cleaner is over heating	<ul style="list-style-type: none"><li>• Check the filters are clean</li></ul>
Dust is coming out of the vacuum	<ul style="list-style-type: none"><li>• The dust canister has not been fitted correctly. Refit the canister following the instructions in this manual.</li></ul>
The air exhausted from the vacuum smells	<ul style="list-style-type: none"><li>• Clean the filters, hose, and dust container following the instructions in this manual</li></ul>
The vacuum cleaner has cut out	<ul style="list-style-type: none"><li>• Allow the vacuum to cool for 1 hour. Clean all filters and dust containers before trying to use again.</li></ul>

If you are still experiencing difficulties with the appliance please contact us **BEFORE** returning the appliance to the retailer it was purchased from:

**Website:** <https://mda.russellhobbs.com>

**Telephone:** 0345 209 7461

**Address:** Product Care Customer Service, Green Bank Business Park, Hindley Green, Wigan, WN2 4AY

# IMPORTANT!

## WASH FILTERS

Wash the filters with cold water at least once a month  
The filters may require more frequent washing if vacuuming fine dust

# 1

MONTH



This product is guaranteed for 12 months from the date of the original purchase. If any defect arises due to faulty materials or workmanship, the faulty product must be returned to the place of purchase.

By registering your product you will get an additional year guarantee free of charge. Additional cover can be purchased through the website.

### REGISTER ONLINE

Visit our website to register your full parts and labour guarantee online.

<https://mda.russellhobbs.com>

### REGISTER BY PHONE

Call our friendly Product Care team.

0345 209 7461

# NOTES



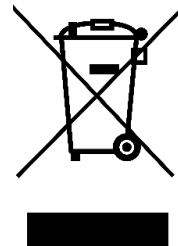
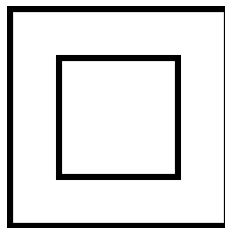


# Russell Hobbs

Russell Hobbs is a registered trademark used under license from Spectrum Brands (UK) Ltd. Made under license by G2S Limited, Wigan, WN2 4AY/G2S (NI) Ltd, Belfast, BT5 5AD

Russell Hobbs Support: call 0345 209 7461 or visit <https://mda.russellhobbs.com>

UK  
CA



The 'wheeie bin' symbol is known as the 'Crossed-out wheeie bin Symbol'. When this symbol is marked on a product/batteries, it means that the product/batteries should not be disposed of with your general household waste. Only discard electrical/electronic/battery items in separate collection schemes, which cater for the recovery and recycling of materials contained within. Your co-operation is vital to ensure the success of these schemes and for the protection of the environment. For your nearest disposal facility, visit [www.recycle-more.co.uk](http://www.recycle-more.co.uk) or ask in store for details.

SEDEX – Connecting businesses and their global suppliers to share ethical data and enabling improvement in ethical performance. Visit [www.sedex.org.uk](http://www.sedex.org.uk) for further information.

We reserve the right, due to possible changes to design, to alter the instruction manual without prior notice.