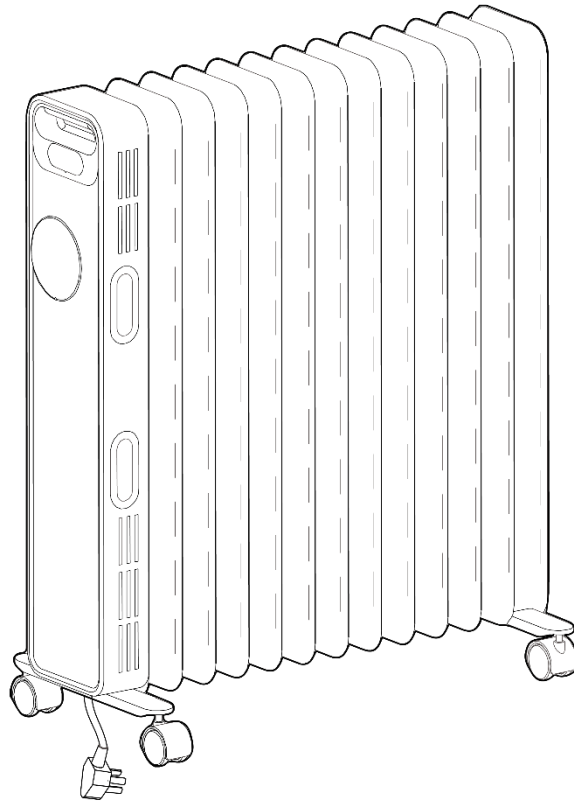


ZANUSSI

11 Fin Oil Filled Radiator with Touch Control



**Model Number:
ZOFR5005 (B)**

Product only suitable for well insulated spaces or occasional use

For Customer Services & Spare Parts please call **0330 1230 597**
Or visit us at www.zanussiheatingandcooling.uk

PLEASE RETAIN
FOR FUTURE REFERENCE

CONTENTS

| | Page(s) |
|---------------------------------|----------------|
| Safety Instructions | 3 - 5 |
| Product Overview | 6 |
| Base Assembly | 7 |
| Using your Heater | 8-11 |
| Safety Instructions | 12 |
| Cleaning and Care | 13 |
| Problem Solving | 14 |
| Guarantee and Customer Services | 15 |
| Connection to the Mains Supply | 16 |
| Specification | 17 |
| Notes | 18-19 |
| Disposable Information | 20 |

SAFETY INSTRUCTIONS

When using electrical appliances, basic safety precautions should always be observed, including the following:

- Read all instructions.
- Check that the your mains voltage corresponds with the rating on the appliance.
- The appliance must not be left unattended while it is connected to the mains supply.
- This appliance must be positioned upright on the floor away from curtains, furniture or wall coverings and other flammable items.
- Do not touch hot surfaces. Use the handle or the controls.
- To protect against electrical shock do not immerse cord, plug, or appliance in water or other liquid. Do not operate with wet hands.
- Do not let the cord hangover the edge of a worktop, table etc. or touch hot surfaces.
- Do not operate any appliance with a damaged cord or plug, or after the appliance malfunctions or is dropped or damaged in any manner. The supply cord cannot be replaced. If the cord is damaged the appliance should be scrapped.
- The use of accessory attachments not recommended by the appliance manufacturer may cause fire, electric shock or injury.
- This appliance must not be immersed
- To disconnect remove the plug from the mains outlet. Do not pull the plug out by the cord.
- Never remove parts from the appliance, such as the feet, screws and so on.
- Never use the appliance near a bath, shower or a swimming pool.
- Never use the appliance on or near hot surface.
- Never move the appliance by pulling the cord.
- Never place flammable objects or clothing on top of the appliance.
- Never move the heater when it is operating. Turn the heater off before move it.
- Allow at least 15cm safe area around the appliance on the top, at the front and sides to provide good air circulation.
- Prevent overheating of the appliance by keeping the air inlets and outlets clean and free of anything that may cause blockage. Check all inlets and outlets from time to time for accumulated dust. DO NOT COVER.



WARNING: In order to avoid overheating, do not cover the heater.

SAFETY INSTRUCTIONS

- Never use the appliance in a room with explosive gas such as petrol, or while using any kinds of flammable glues, sprays or solvents.
- The appliance must not be used with an extension lead.
- Do not place any part of your body near the air inlet, outlet or on the fins ,to avoid personal injury, electric shock or fire.
- If overheating should occur, the built-in overheating safety device will shut the appliance off.
- Caution: Some parts of this product can become very hot and cause burns. Particular attention must be given when children vulnerable people are present.
- Do not insert any foreign objects into the grill.
- Keep all grills clear of any draped fabric or curtains.
- The appliance must not be located immediately below a mains socket. Do not use the appliance with a programmer, timer or any other device that switches the appliance on automatically. A fire risk exists if the appliance is covered or positioned incorrectly.
- Do not operate this appliance for any thing other than its intended use.
- This appliance is not intended for commercial use
- **This product is intended for household use only.** Do not use outdoors.
- This product is only intended for heating.
- **Warning:** It is hazardous for anyone other than a competent person to carry out any service or repair operation which involves the removal of a cover which gives protection against exposure to electrical parts.
- **Warning:** Children should not use this appliance. Close supervision is necessary when any appliances are used near children.
- This appliance can be used by children aged from 8 years and above and persons with reduced physical, sensory or mental capabilities or lack of experience and knowledge if they have been given supervision or instruction concerning use of the appliance in a safe way and understand the hazards involved. Children shall not play with the appliance. Cleaning and user maintenance shall not be made by children without supervision.
- Children of less than 3 years should be kept away unless continuously supervised.
- Children aged from 3 years and less than 8 years shall only switch on/off the appliance provided that it has been placed or installed in its intended normal operating position and they have been given supervision or instruction concerning use of the appliance in a safe way and understand the hazards involved. Children aged from 3 years and less than 8 years shall not plug in, regulate and clean the appliance or perform user maintenance.

SAFETY INSTRUCTIONS

- **Warning:** This appliance is not intended for use by persons (including children) with reduced physical, sensory or mental capabilities, or lack of experience and knowledge, unless they have been given supervision or instruction concerning use of the appliance by a person responsible for their safety. Children should be supervised to make sure that they do not play with the appliance.

Electrical Safety

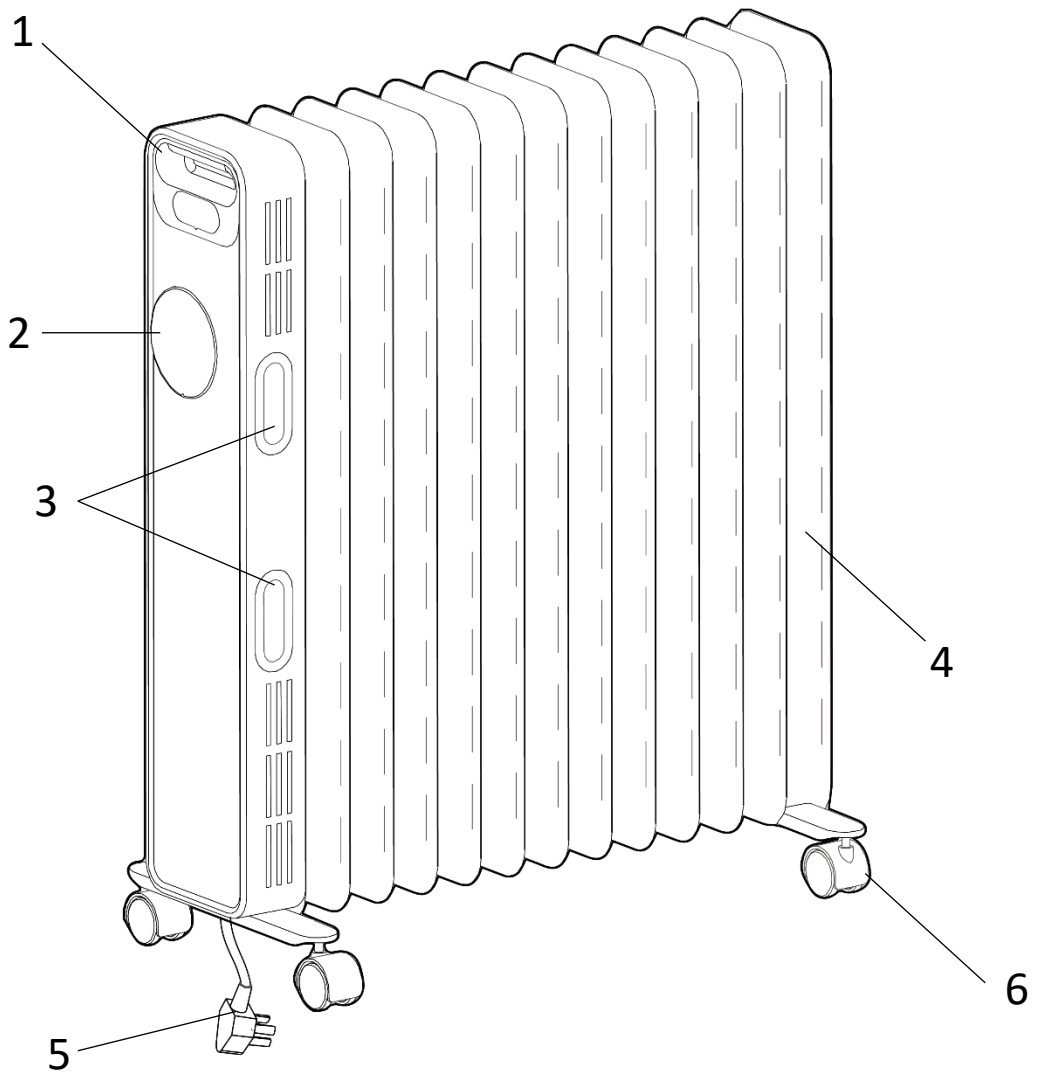
THIS APPLIANCE MUST BE PLUGGED INTO AN EARTHED SOCKET

- Before switching on, make sure that the voltage of your electricity supply is the same as that indicated on the rating plate. This product is designed to operate on 220 – 240V AC; 50Hz. Connection to any other power source may damage the unit.
- This product may be fitted with a non re-wireable plug. If it is necessary to change the fuse in the plug, the fuse cover must be refitted. If the fuse cover becomes lost or damaged, the plug must not be used until a suitable replacement is obtained.
- If the plug has to be changed because it is not suitable for your socket, or becomes damaged in any way, it should be cut off and an appropriate plug fitted. This should be carried out by a qualified electrician. The plug removed must be disposed of safely, as insertion into a 13 Amp socket is likely to cause an electrical hazard.

Oil Safety

- This heater is filled with a precise quantity of special oil. Repairs requiring opening of oil-container are only to be made by the manufacturer or his service agent who should be contacted in the unlikely event of an oil leak.
- When disposing of the heater, follow the regulations concerning the disposal of oil.

PRODUCT OVERVIEW



1. Carry handle
2. Control panel
3. Cord wrap
4. Fins
5. Power cord
6. Castors

BASE ASSEMBLY

1. Turn the heater upside down.
2. As shown in Fig. 1, align the mounting holes on the caster assembly units with the screws on the caster pad plates, one at the bottom of the control panel and one at the bottom of the end radiator fin.
3. As shown in Fig. 2, proceed to place the 4 butterfly nuts onto the each of the 4 screws and tighten as much as possible.
4. Turn the heater around and check that it is stable on the ground, if not repeat the above process again.

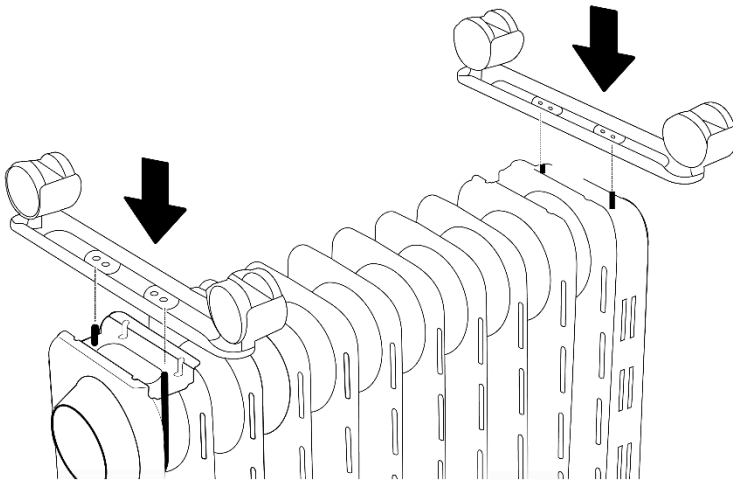


Fig. 1

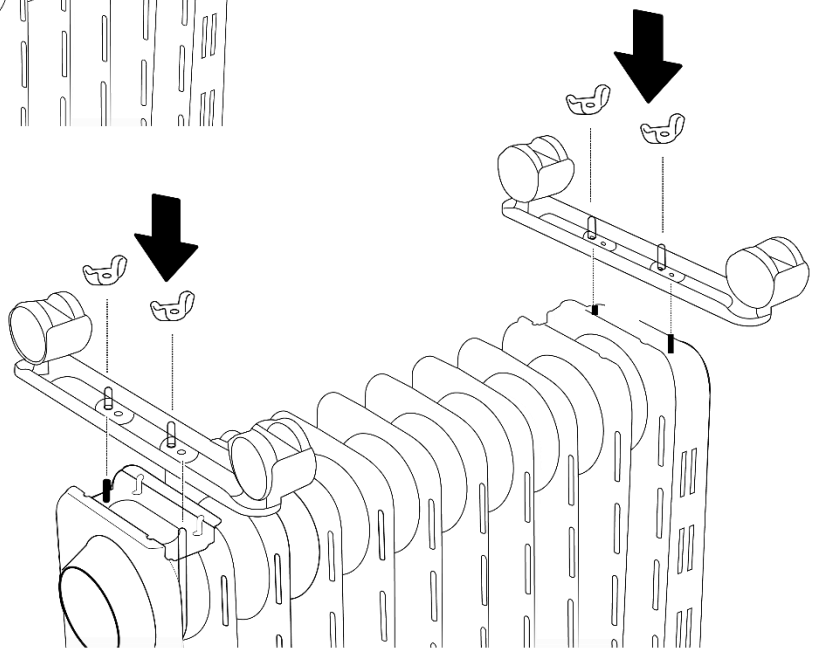
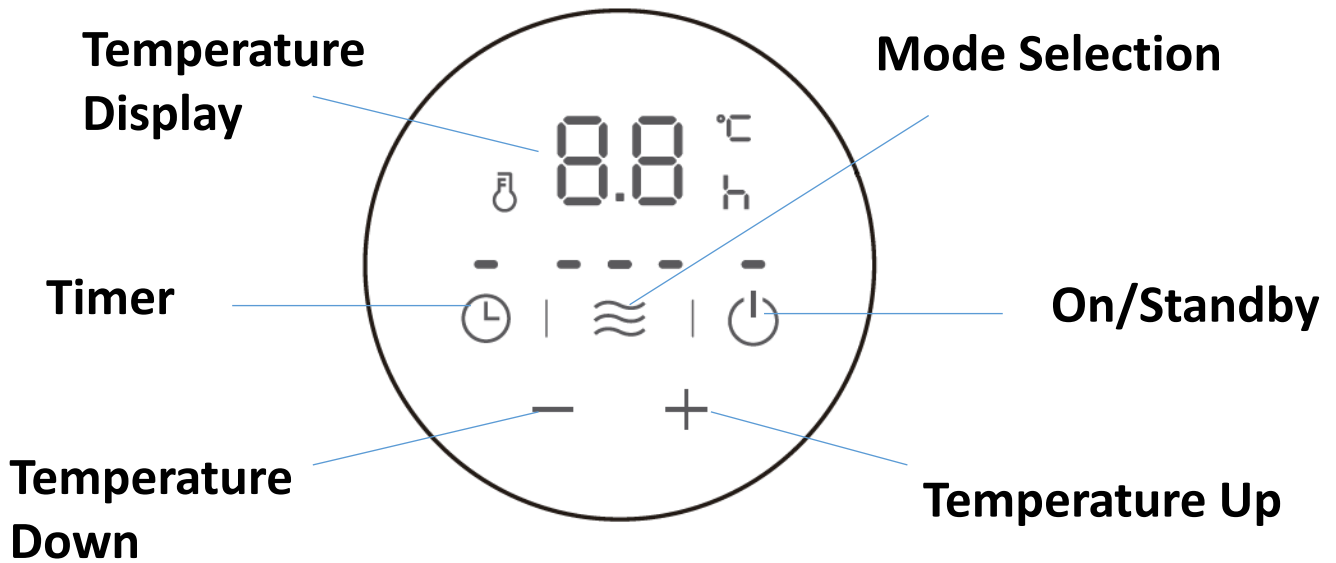





Fig. 2

USING YOUR HEATER



First Time Setup

1. Plug in the appliance, you will hear an audible 'beep' for around 2 seconds.
2. Press the On/Standby [] button to power the appliance on.
3. Press the 'Mode' [] button to select a setting – Low/Medium/High Power.
4. Press the On/Standby [] button again to engage Standby mode.

USING YOUR HEATER

Operating Instructions

Quick Use

Press the On/Standby Button to turn on the heater. The default setting is high power at 35°C.

Press and hold the Temperature Up [+] or the Temperature Down [-] to quickly set the heater to a desired temperature. After 1 minute, the temperature setting screen will exit.

Setting a Timer

Your heater can be scheduled to switch on at a certain amount of time.

When the Heater is in Standby Mode, press the Timer button [⌚] and then set the time by pressing the '+' or '-' buttons.

The heater can be set in hour increments up to a maximum of 24 hours. When the timer is at 0, press the '-' key to set for 24 hours. When the timer is at 24, press the '+' key to set it to 0. When the desired time is displayed, press the Timer button or the Mode button to set/confirm the time.

When the heater reaches the time, it will emit an audible beep and the heater will switch on

USING YOUR HEATER

Operating Instructions

Your heater can also be scheduled to switch off after a certain amount of time.

When the Heater is in operation, press the Timer button [⌚] and then set the time by pressing the '+' or '-' buttons.

The heater can be set in hour increments up to a maximum of 24 hours. When the timer is at 0, press the '-' key to set for 24 hours. When the timer is at 24, press the '+' key to set it to 0. When the desired time is displayed, press the Timer button or the Mode button to set the time.

When the heater reaches the time, it will emit an audible beep and the heater will switch off.

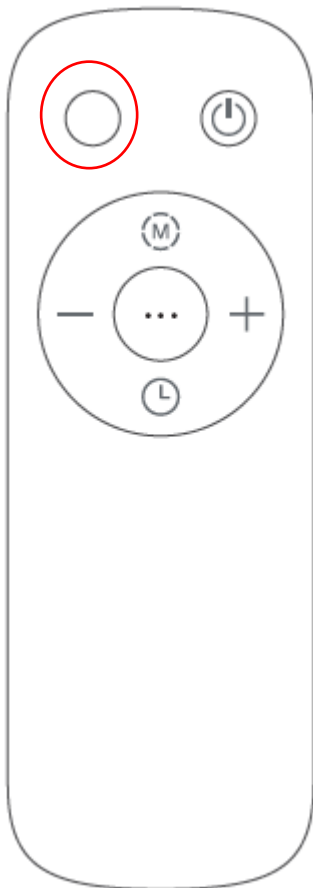
- To cancel the timer at any point, press the On/Standby button.
- To check remaining time left on the timer, press the Timer button.
- Whilst scheduling a timer, the heater may switch on/off. This is normal and will not affect the timer operation.
- If the heater is unplugged, the timer will reset to 'off'.






USING YOUR HEATER

Operating Instructions

Remote Control

The settings of the remote control are the same as on the Control Panel.



| | |
|---|--------------|
|  | On/Standby |
|  | Function key |
|  | “+” key |
|  | “-” key |
|  | Timer key |

**Please be aware the button in the top left circled red is non-operational.*

SAFETY FEATURES

Safety Protection Devices – This appliance is fitted with an overheat and tip over protection system.

1. Overheat Protection – the power to the heating elements will automatically cut off if the temperature of the heating element exceeds a certain limit. In the event of overheating, the heater will stop operating. Once the appliance has completely cooled, the appliance will then resume operating as normal.
2. If the ambient temperature of the room exceeds 50C, the heater will emit 10 long beeps, the display will flash 'FF'. The heater can only be restarted by turning it off and unplugging the heater, allowing the heater to cool, and then placing the heater back in standby mode.
3. Tip Over Switch – the appliance needs to be placed on a flat, firm and stable surface to ensure that the unit contacts the floor firmly and the internal tip over switch is level. In the event that the unit tips over or is placed on an uneven or very soft surface the appliance will not operate.

CLEANING AND CARE

WARNING: Electrical Shock Hazard.

Before you clean the appliance, disconnect the mains plug from the wall socket.

- Allow the appliance to cool down completely before cleaning.
- Do not immerse cord, plug or appliance in any liquid or allow moisture to come into contact with electrical parts.
- Clean the outer surface using a moist cloth and wipe over with a dry, soft cloth.
- Do not use harsh detergents, abrasives or spray on cleaners.
- Don't allow water to seep into the openings or come into contact with electrical connections.
- Allow sufficient drying time before operating again.
- Clean the air inlets and outlets regularly with a vacuum cleaner using the brush attachment (with a regular use, at least twice a year).
- When the appliance is not in use. We recommend that, the heater is re-packed in its original packaging and stored in a cool, dry place.

PROBLEM SOLVING

My appliance does not work when I turn it on:

1. Check that your appliance is plugged in and the power is turned on at the mains socket.
2. Try another mains socket.
3. Check the appliance is in an upright position.
4. Check that the thermostat setting has not been set too low.
5. If the appliance still doesn't work, do not try to repair it yourself.

If your appliance power is automatically cut off, follow the step below:

1. Unplug your appliance from the mains socket and allow it to completely cool down.
2. Inspect your appliance. Clean the air inlet and air outlet with a vacuum cleaner if necessary. If there are any signs of physical damage (e.g. melting, or burning of the case), do not attempt to use the appliance. Please leave all maintenance work to qualified personnel.
3. Plug in the appliance and switch it on again. If it cuts off again, move the appliance to a better ventilated location.

GUARANTEE AND CUSTOMER SERVICES

At Zanussi, we take all our customer feedback seriously.

**Feel free to contact our Customer Service Team on
0330 1230 597
who will be more than happy to assist you.**

This product is guaranteed for **12months** from the date of the original purchase. If any defect arises due to faulty materials or workmanship, the faulty product must be returned to the place of purchase. Refund or replacement is at the discretion of the retailer.

The following conditions apply:

- The product must be returned to the retailer with the original proof of purchase.
- The product must be installed and used in accordance with the instructions contained in this instruction guide and any other instructions for use which are supplied.
- It must be used for domestic purposes only and for its intended use.
- This warranty does not cover wear and tear, damage, misuse or consumable parts.

This does not affect your statutory rights.

CONNECTION TO THE MAINS SUPPLY

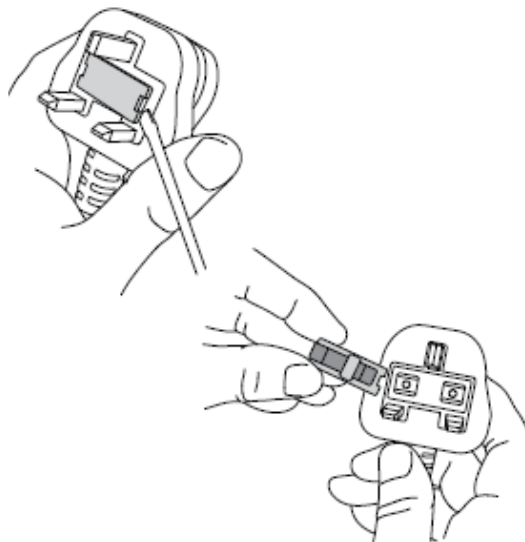
This appliance is designed to operate from a mains supply of 220-240V~50Hz.

Check that the voltage marked on the product corresponds with your supply voltage.

How to change the fuse

1. Slot the end of a screwdriver into the recess in the fuse holder of the plug.
2. Pull the fuse holder upwards until free of the plug and slide the fuse out.
3. Replace the fuse and replace fuse holder, pushing down until locked into place.

Important: Only ever use a 13 amp fuse.



SPECIFICATION

| Information requirements for electric local space heaters | | | | | | |
|---|--------------------------------|-------|------|--|--|------|
| Model number | ZOFR5005 (B) | | | | | |
| Item | Symbol | Value | Unit | | Item | Unit |
| Heat Output | | | | | Type of heat input, for electric storage local space heaters only | |
| Nominal heat output | P _{nom} | 1 | kW | | Manual heat charge control, with integrated thermostat | No |
| Minimum heat output (Indicative) | P _{min} | 0.9 | kW | | Manual heat charge control with room and/or outdoor temperature feedback | No |
| Maximum continuous heat | P _{max} | 1 | kW | | Electronic heat charge control with room and/or outdoor temperature feedback | No |
| | | | | | Fan assisted heat output | No |
| Auxiliary electricity consumption | | | | | Type of heat output/room temperature control | |
| At nominal heat output | e ^l Max | 0 | kW | | Single stage heat output and no room temperature control | No |
| At minimum heat output | e ^l Min | 0 | kW | | Two or more manual stages, no room temperature control | No |
| In standby mode | e ^l SB | 0* | kW | | With mechanic thermostat room temperature control | No |
| | | | | | With electronic room temperature control | Yes |
| | | | | | Electronic room temperature control plus day timer | No |
| | | | | | Electronic room temperature control plus week timer | No |
| | | | | | Other control options (multiple selections possible) | |
| | | | | | Room temperature control, with presence detection | No |
| | | | | | Room temperature control, with open window detection | No |
| | | | | | With distance control option | No |
| | | | | | with adaptive start control | No |
| | | | | | With working time limitation | Yes |
| | | | | | With black bulb sensor | No |
| Contact details | G2S Ltd. Wigan, WN2 4AY | | | | | |
| | G2S (NI) Ltd. Belfast, BT5 5AD | | | | | |

*Electricity consumption in Standby mode is 0.214W

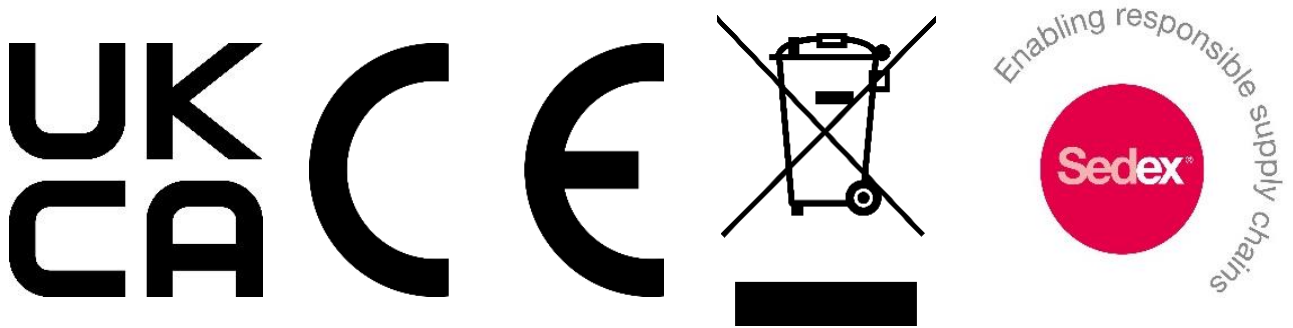
NOTES

NOTES

ZANUSSI

ZANUSSI is a registered trademark used under license from AB Electrolux (publ). Made under license by G2S Limited, Wigan, WN2 4AY/G2S (NI) Ltd, Belfast, BT5 5AD.

For Customer Services & Spare Parts please call: 0330 1230 597
Or visit us at www.zanussiheatingandcooling.uk



The 'wheeie bin' symbol is known as the 'Crossed-out wheeie bin Symbol'.

When this symbol is marked on a product/batteries, it means that the product/batteries should not be disposed of with your general household waste. Only discard electrical/electronic/battery items in separate collection schemes, which cater for the recovery and recycling of materials contained within. Your co-operation is vital to ensure the success of these schemes and for the protection of the environment. For your nearest disposal facility, visit www.recycle-more.co.uk or ask in store for details.

SEDEX – Connecting businesses and their global suppliers to share ethical data and enabling improvement in ethical performance. Visit www.sedex.org.uk for further information.

We reserve the right, due to possible changes to design, to alter the instruction manual without prior notice.

Revision 2.3