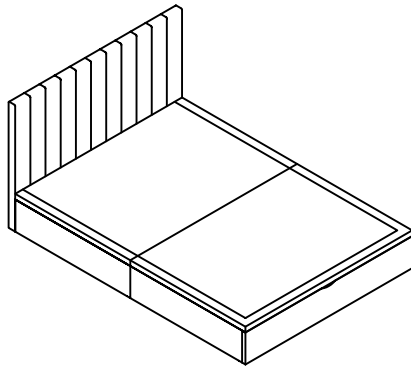




ONELIFE OTTOMAN BED

DOUBLE AND KING SIZE



PLEASE READ this sheet prior to assembly to familiarise yourself with the various stages of construction.

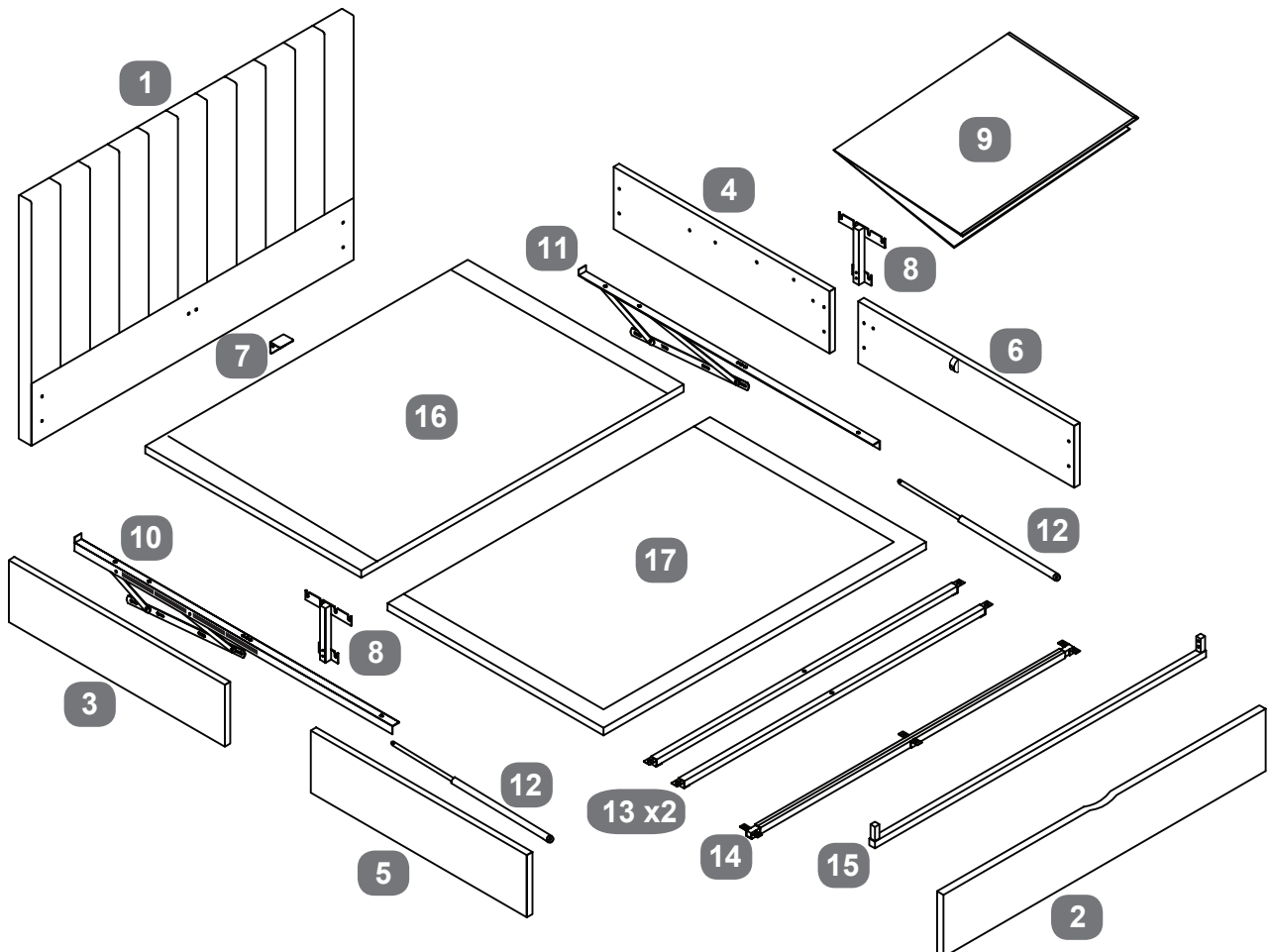
Carefully open the pack supplied and check the contents against the parts and fittings check list. Do not destroy any of the packaging until you are certain that you have all the necessary parts for the assembly.

Please ensure that the packaging is disposed of in a safe and environmentally friendly way.

CAUTION: There are small components used in the construction of this unit. These loose items should be kept away from young children during assembly, to avoid the danger of choking.

IMPORTANT: BEFORE STARTING TO ASSEMBLE THE BED - PLEASE READ THESE INSTRUCTIONS CAREFULLY.

Parts Identification



Care & Maintenance

In the unlikely event of missing or damaged parts, please contact your retailer. Please have this guide at hand quoting the part code reference numbers shown when requesting spare or replacement parts.

General Hints & Tips



Please retain your assembly instruction and tools provided for future use. Periodically check that all bolts are still tight.



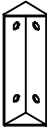
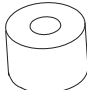
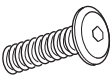






Approximate time to assemble this product

Parts Checklist

Ref.	Description	Qty	Box	Ref.	Description	Qty	Box
1	Headboard	1	1	10	Gas - Lift Mechanism - LH	1	2
2	Footboard	1	2	11	Gas - Lift Mechanism - RH	1	2
3	Side Rail - LH Headend	1	1	12	Gas Lift Pistons	2	2
4	Side Rail - RH Headend	1	1	13	Cross Rail for Mattress Base Boards - End	2	2
5	Side Rail - LH Footend	1	1	14	Cross Rail for Mattress Base Boards - Centre	1	2
6	Side Rail - RH Footend	1	1	15	'U' Shape Cross Bar	1	2
7	Angled Corner Bracket	1	2	16	Mattress Base Boards - Headend	1	1
8	Connection Brackets	2	2	17	Mattress Base Boards - Footend	1	1
9	Fabric Base Cover	1	1				

Fittings Checklist

HARDWARE NEEDED FOR BED ASSEMBLY

Code	Description	Qty	Box	Code	Description	Qty	Box		
A	Corner Brackets		x4	2	F	Plastic spacer for gas-lift mechanisms		x8	2
B	Bolts (M8x20mm) for fitting side rails (3,4,5 & 6) to headboard & footboard		x42	2	G	Lock nut for M8 bolts		x4	2
C	Flat washer for M8 bolts		x56	2	H	Allen key for M8 bolts		x1	2
D	Spring washer for M8 bolts		x54	2	J	Spanner for M8 nuts		x1	2
E	Bolts (M8x35mm) for fitting gas-lift mechanisms (10&11) to side rail (3&4)		x14	2					

Warnings



- Before lifting the mattress base board, place a mattress in position.
- Without a mattress in place, the speed of movement is quick and may cause injury so great care is needed.
- Carefully lower the mattress base with the fabric hand-strap ensuring the edges of the boards are aligned with the outer edges of the side panels.
- If not aligned, check bed is still square and if it is, but gaps are still not even, re-align.
- Depending on the weight of the mattress, the rising speed will vary so be careful until you get used to the speed.
- Always use the hand-strap to lift or lower the mattress base - keep fingers well away from the moving parts.

When the bed is fully assembled, and the mattress is in position, please raise & lower the ottoman slat-frame 4/5 times to ensure the gas pistons are fully lubricated.

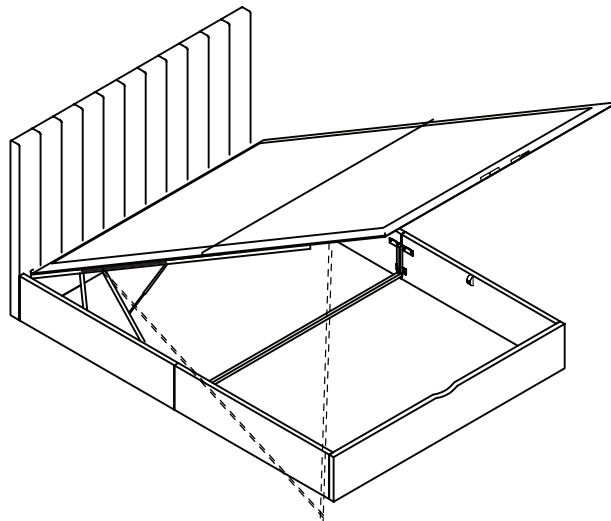
Warning

- You must ensure that the mattress is on the bed frame before operating the lift mechanism, failure to do so could result in injury.
- Keep hands clear of the mechanism when opening or closing the ottoman.
- Beware of entrapment – Never reach in through the mechanism to access the storage area.
- Always ensure that the ottoman is FULLY opened before accessing the storage area.
- Do not exceed the maximum weight as specified in the table below:

Bed	Bed Size	Min Weight (kg)	Max Weight (kg)
ONELIFE OTTOMAN BED	Double	15	50
	King	15	50



- Use caution when operating, always use the handle when lifting.
- Note: This bed uses a pressurised mechanism.
- To be operated by adults only
- Please ensure that children and pets are kept away from the bed when operating the mattress board lifting mechanism.
- Keep children and pets away from the storage area.
- Do not overload the internal storage base.
- Do not stand inside the internal storage area of the bed.
- Before removing the mattress secure the frame to ensure it does not open unexpectedly.
- Do not attempt to lie on the mattress when the ottoman is in the raised position.



WARNING: ONLY USE THE HANDLE TO LIFT & LOWER THE BED FRAME TO AVOID TRAPPING FINGERS!

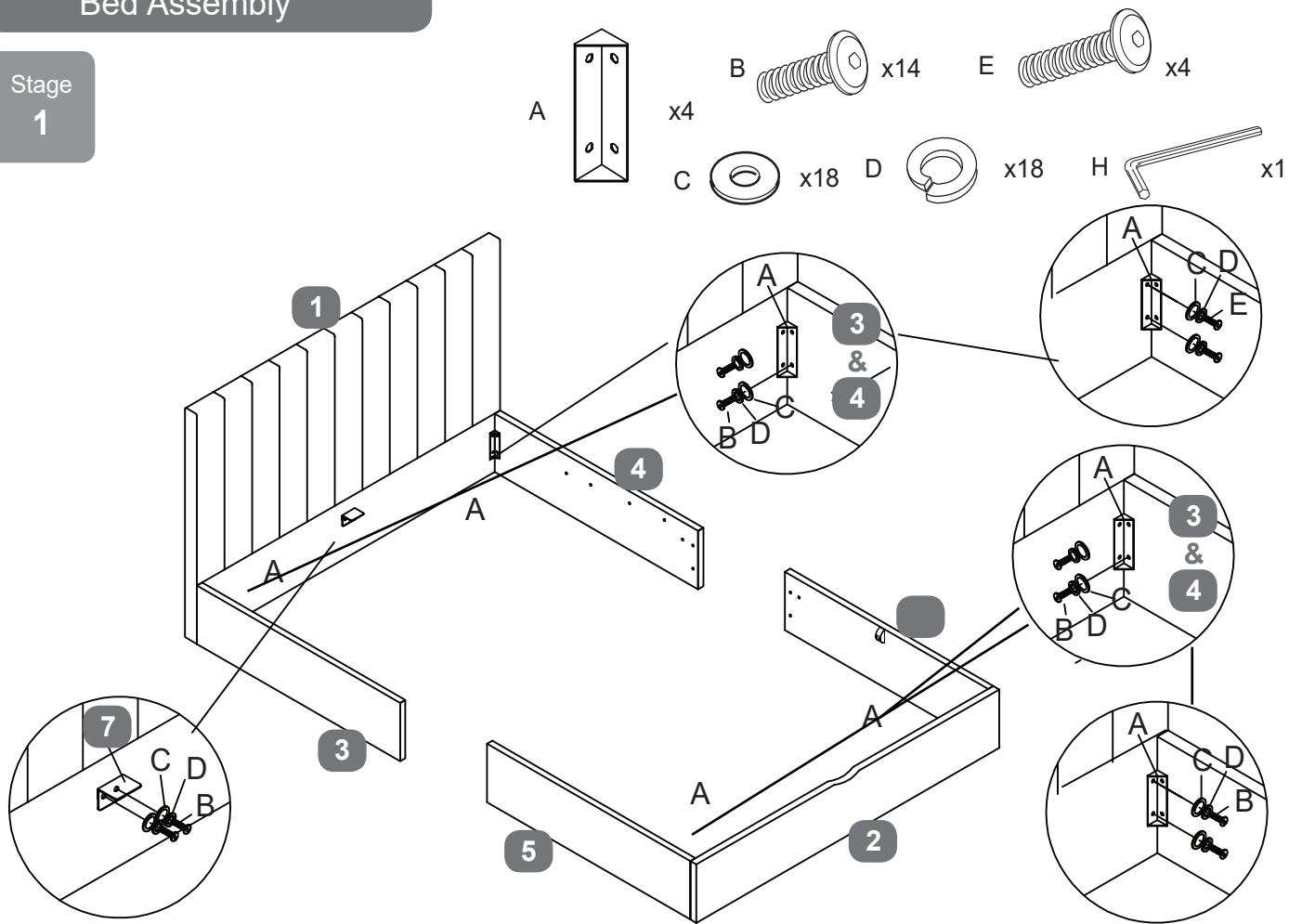
TO AVOID ACCIDENTS
TO ACCESS THE STORAGE AREA THE OTTOMAN FRAME
MUST BE FULLY OPENED AND THEN FULLY CLOSED AFTERWARDS

SAFETY WARNING
PLEASE DO NOT ALLOW CHILDREN
OR PETS INSIDE THE STORAGE AREA.

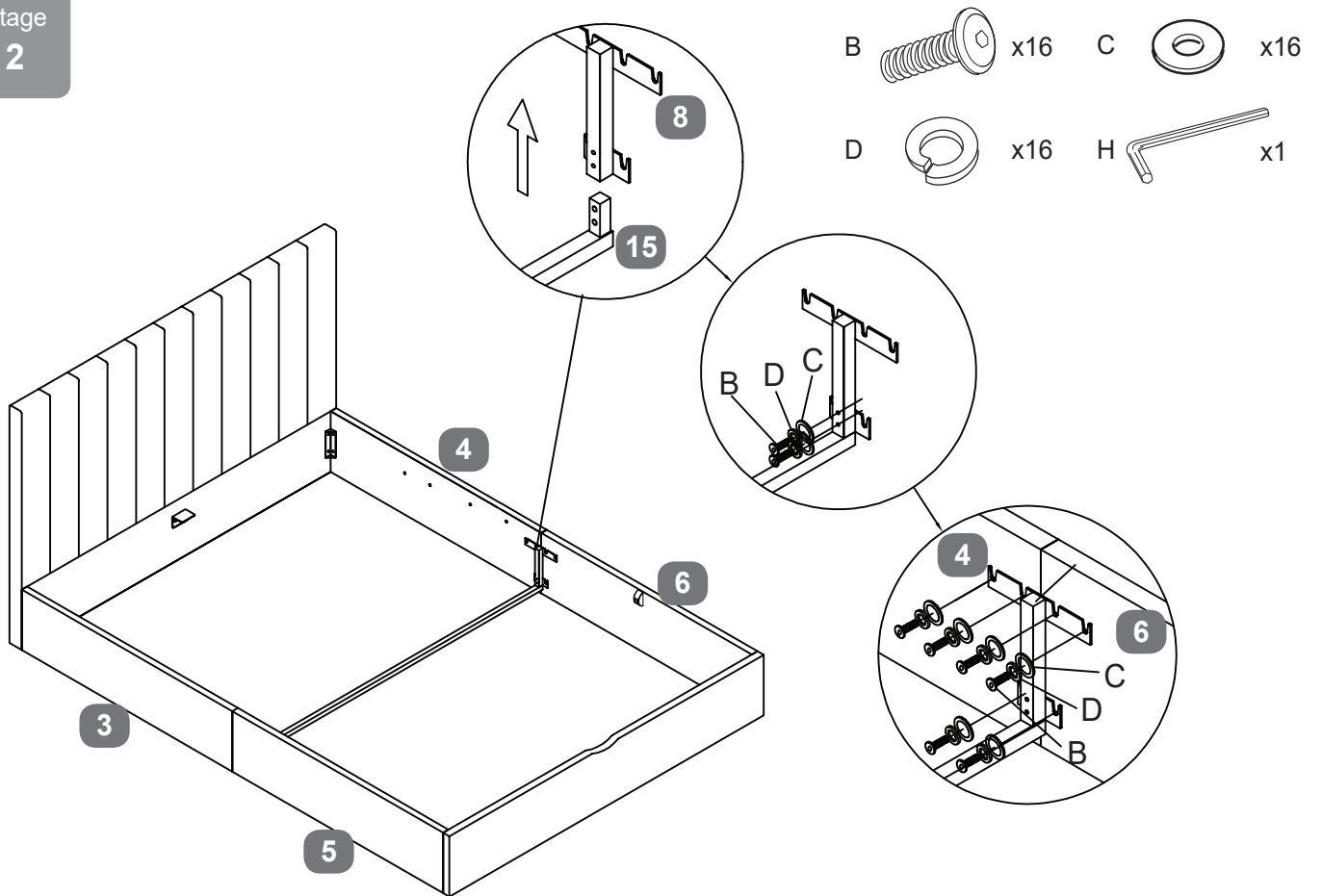
SAFETY WARNING
PLEASE BE CAREFUL WHEN LIFTING.
ONLY LIFT WITH MATTRESS ON TOP.
TO BE OPERATED BY ADULTS ONLY.

Bed Assembly

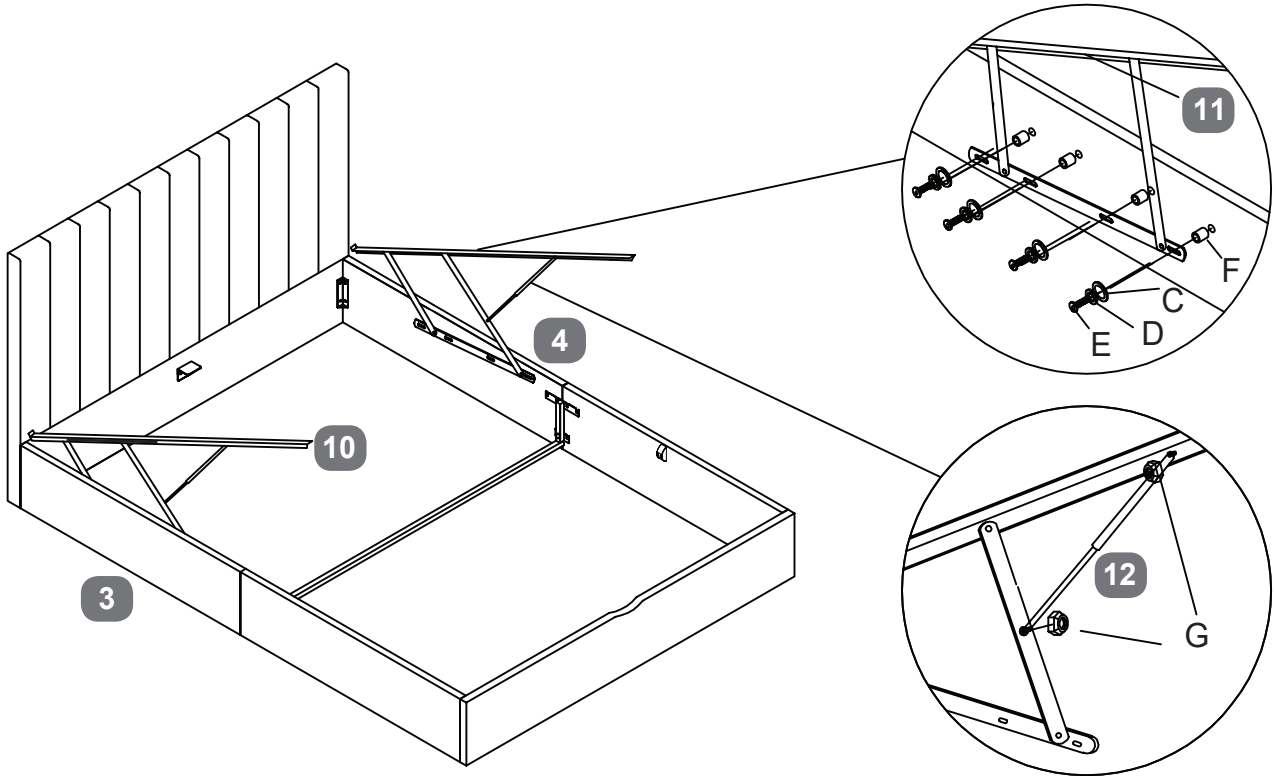
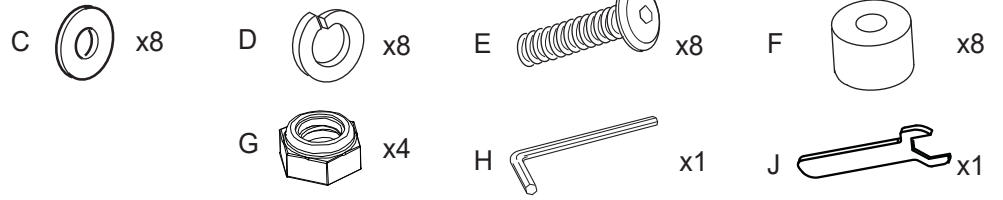
Stage
1



Stage
2

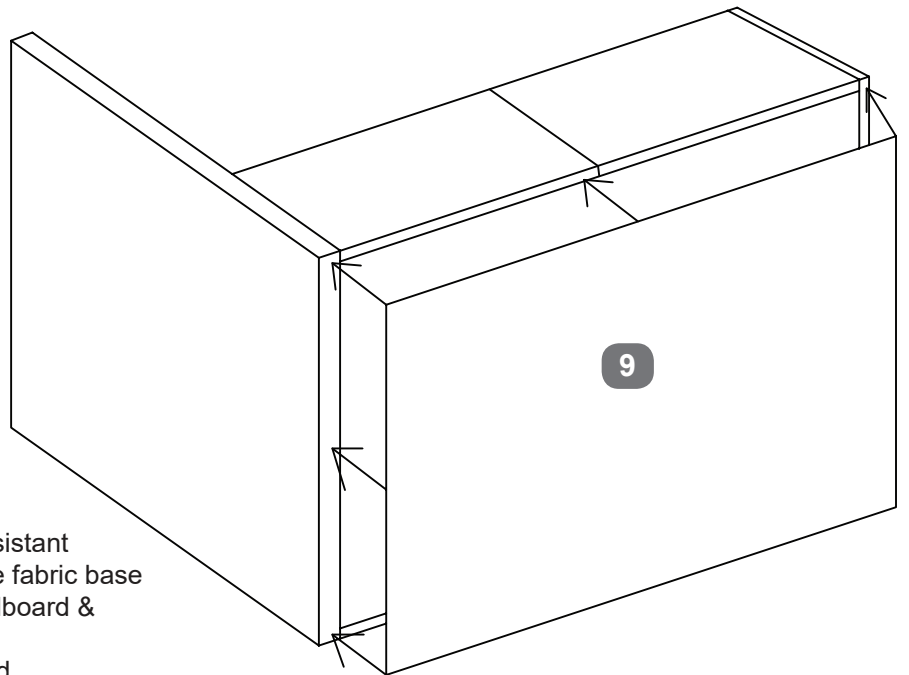


Stage
3



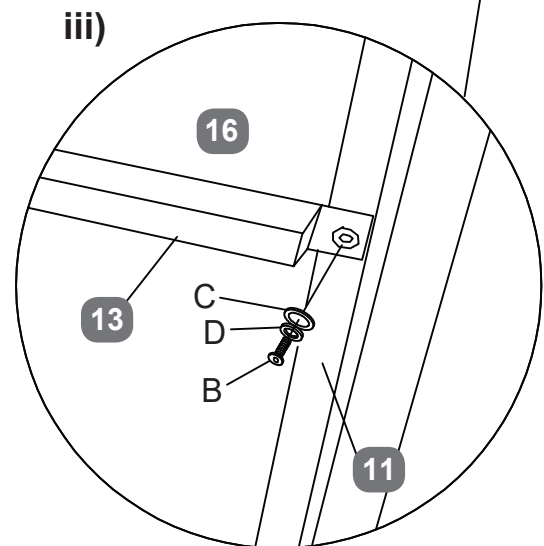
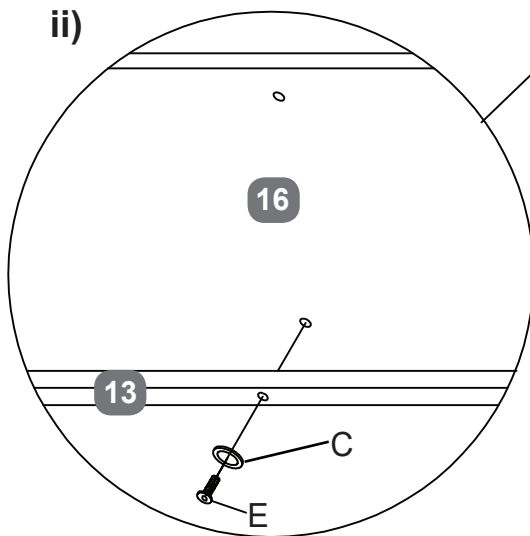
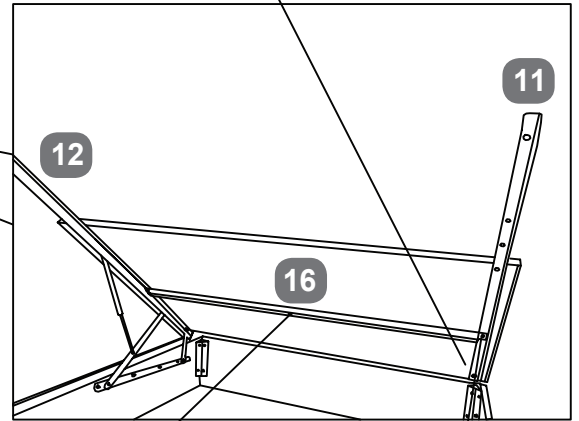
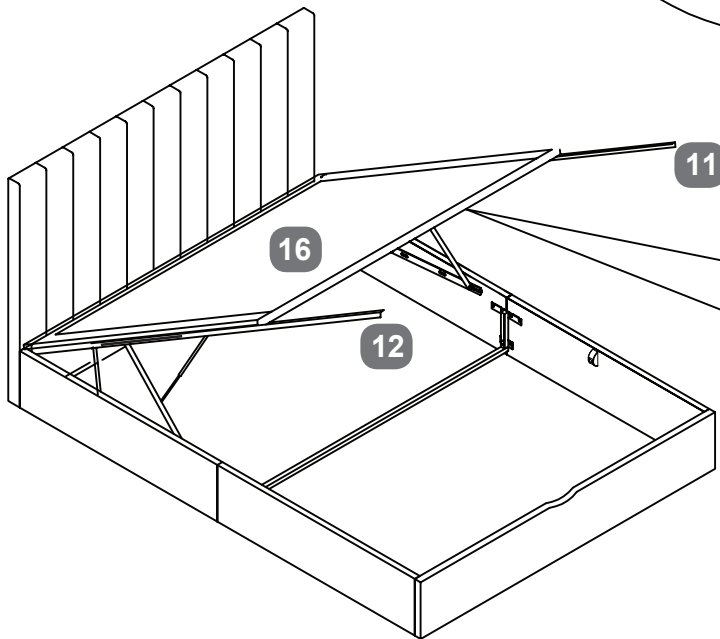
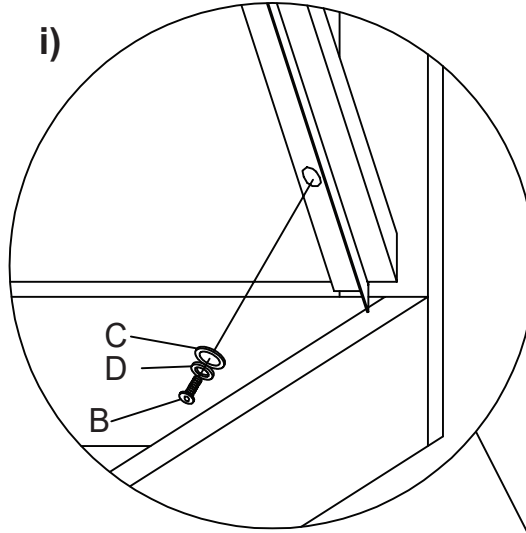
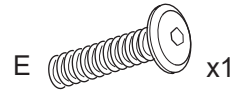
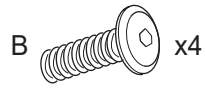
Stage
4

⚠ WARNING CAREFULLY LIFT BOTH THE HEADBOARD & THE FOOTBOARD AT THE SAME TIME, DO NOT LET THE BED TWIST.

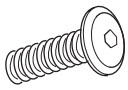





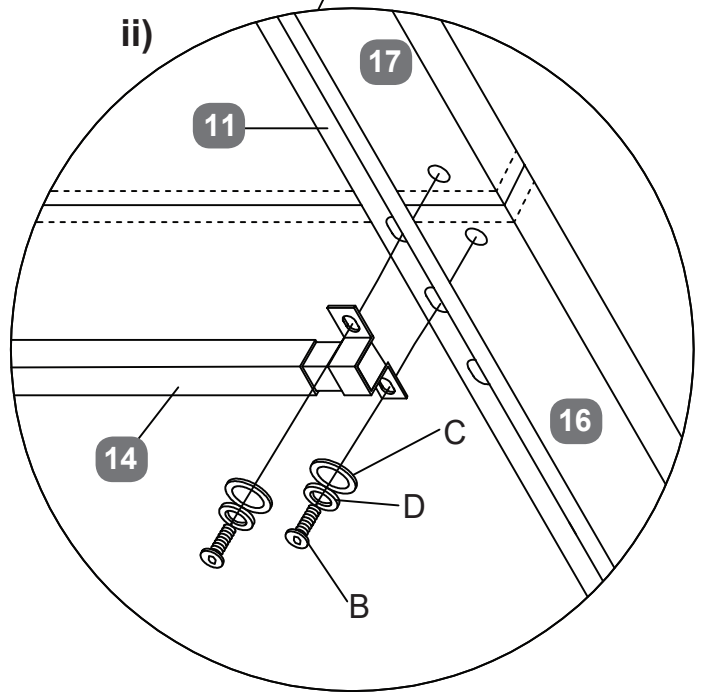
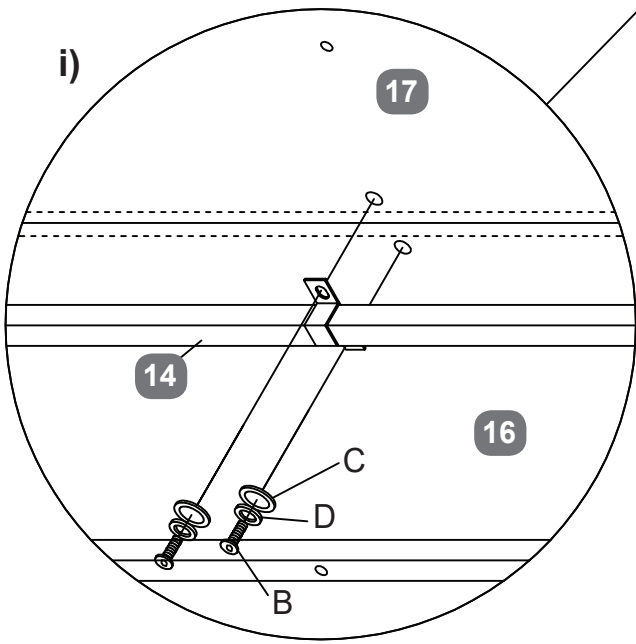
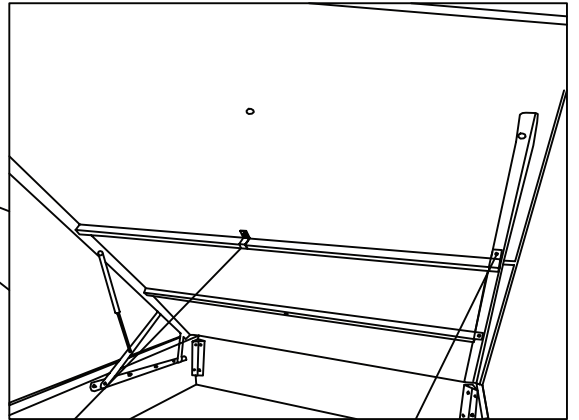
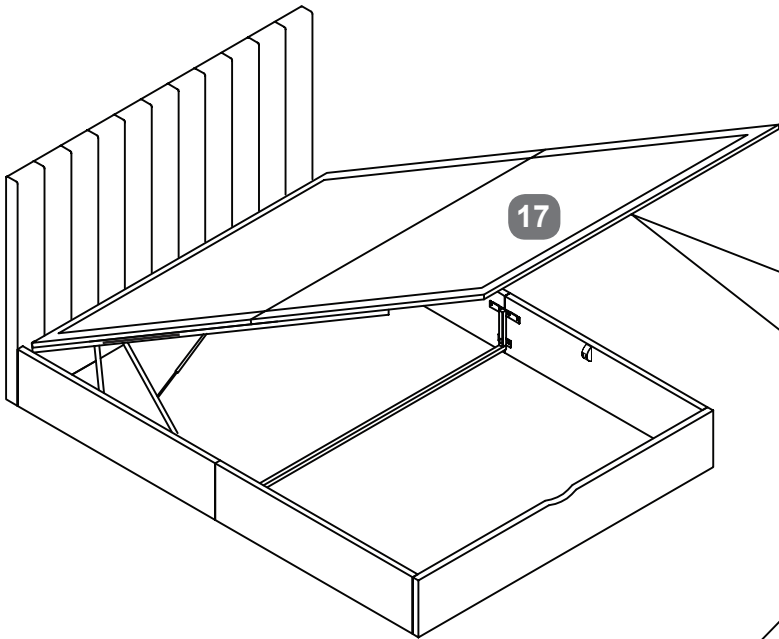
Lift and turn bed on its side and with assistant holding bed upright for safety, attach the fabric base cover (9) to bottom of side-panels, headboard & footboard using the velcro tape. Make sure fabric is fixed evenly all round.

⚠ WARNING CAREFULLY LOWER BED BACK DOWN EQUALLY, PLEASE DO NOT LET THE BED TWIST. BE CAREFUL AS BED IS HEAVY

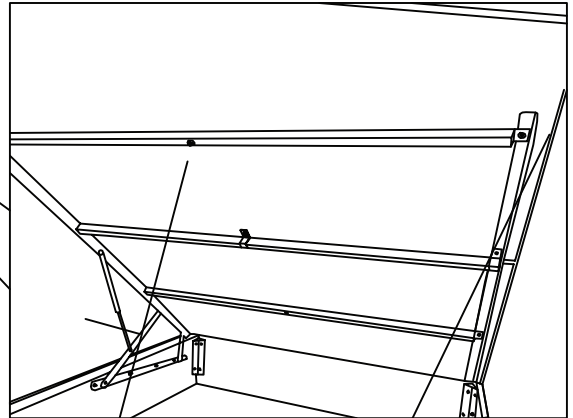
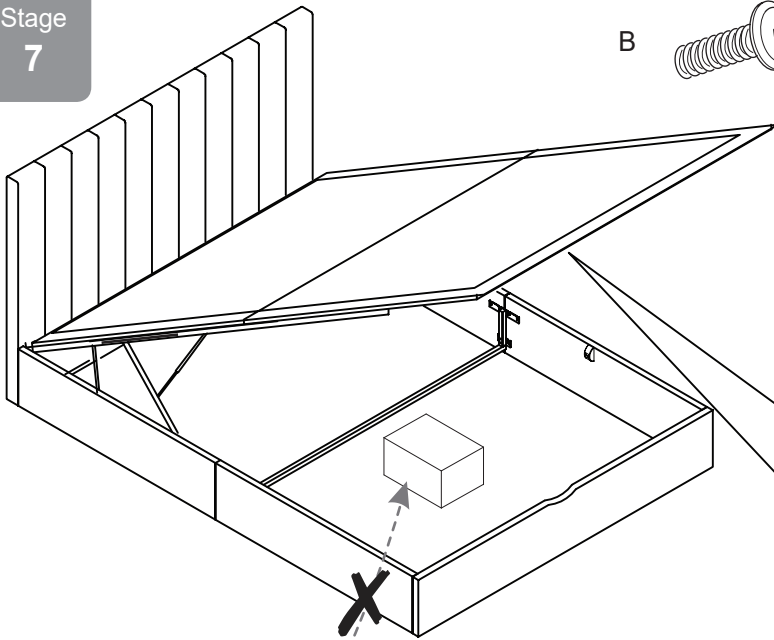
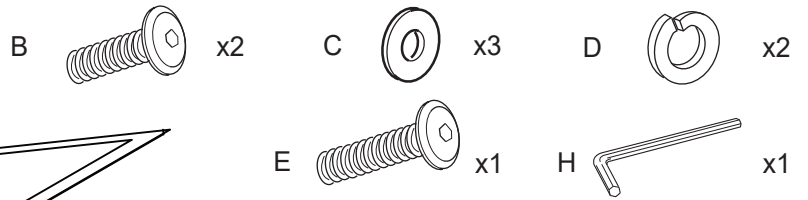


Stage
6

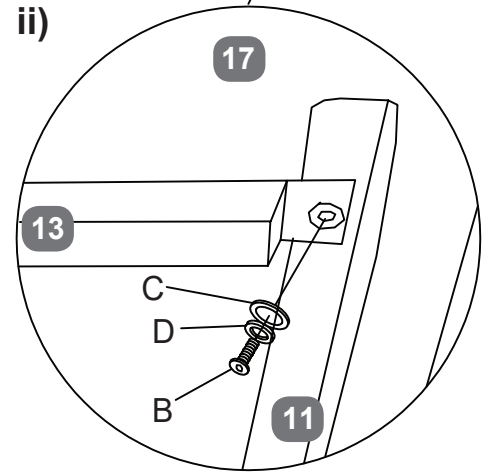
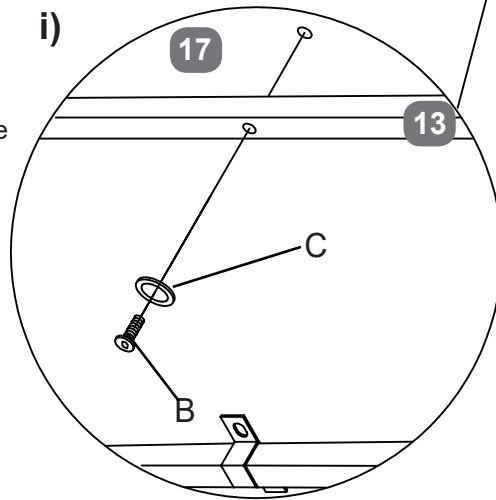
- B  x6 C  x6 D  x6
- H  x1



Stage
7



Note: Be very careful what you store under the bed -the top of an item, like a suitcase or a box, must not touch the slats or they may be damaged. Maximum storage height is 31cm.



Technical Specifications

Overall Dimensions (LWH cm)

Double: 201 x 138 x 114
King: 211 x 153 x 114

Storage Dimensions (LWH cm)

Double: 190 x 133 x 31
King: 200 x 148 x 31

Ottoman Piston Rating:

Double & King: 800N

