

ASSEMBLY INSTRUCTIONS

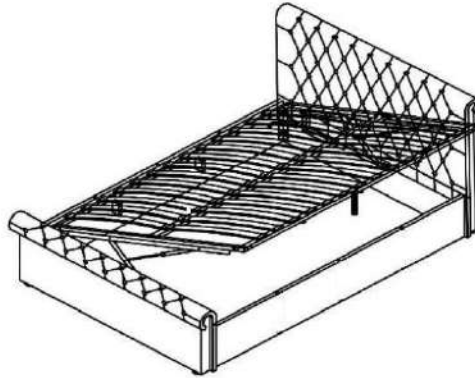
CHE-OTT-GREY 30, CHE-OTT-GREY 40
CHE-OTT-GREY-46, CHE-OTT-GREY-50

IMPORTANT

Please Inspect all items carefully before assembling. If for any reason you need to return this item, you must return it in its original packaging. Assembled items cannot be returned.

Please open the zip on the back of the headboard.

You may find the footboard and some of the components inside



Minimum No.of people recommended to assemble this product: Two (2)
Approx. Assembly time: 90 mins

HELPFUL ADVICE PRIOR TO ASSEMBLING THE BED

- 1) Owing to the size and weight of the bed, we recommend that it is assembled by two adults, on a flat surface in a room that it is intended for.
- 2) Please Do Not use any tools other than those provided or recommended in these instructions.
- 3) Please Do Not discard any packaging until you have checked that you have all the parts and fittings. Keep all fittings out of reach of children.
- 4) Assemble all parts loosely until advised to tighten. Depending on use, it maybe necessary to tighten the fittings from time to time, So please save your Allen key and Spanner that has been provided.

WARNINGS

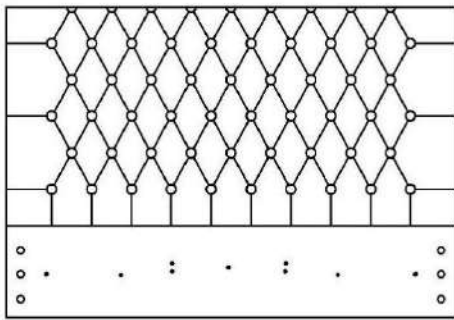
- 1) Please ensure children Do Not play in the storage area or try to lift up the metal frame.
- 2) Once assembled, put mattress on frame before pushing it down and only lift up or push down the metal frame with mattress on top.
- 3) Please Do Not stand on the storage base at any time.
- 4) Do Not throw away any of the packaging or the instructions booklet until you have checked all the components and fittings and the furniture is fully assembled.

HOW TO USE BED

When the bed is fully assembled, Lift the frame up using strap on the footboard. To close the frame you will need to place both hands on the horizontal metal bar at the footboard end that is in the air (one hand in the centre of each of the two rows of slats). The bed will only work if this done centrally. Apply pressure to close the bed. Do Not try to close from the side or any other way. Please also note the gaslift lift arms do not move up and down on their own and only work if the bed is fully assembled and is assembled correctly and will only work normally with mattress on the frame.

**PLEASE LOCATE FOOTBOARD AND FITTINGS INSIDE THE ZIPPED
COMPARTMENT BEHIND THE HEADBOARD**

Parts & Components



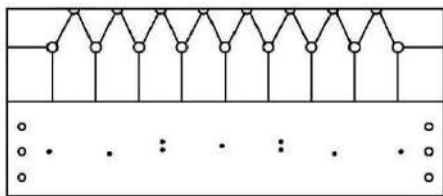
1 Headboard x1



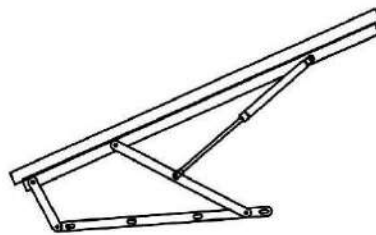
3 Left Side Rail x1



4 Right side Rail x1



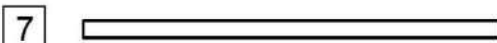
2 Footboard x1



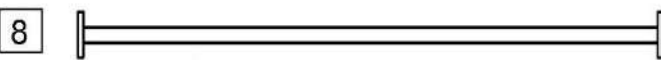
5 Pneumatic Arm x2



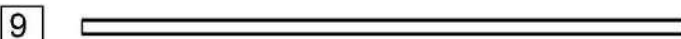
6 Pneumatic Arm Support rail x2



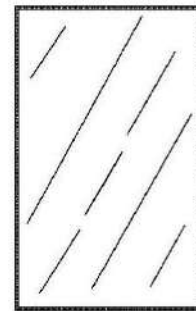
7 Horizontal Frame rail x3



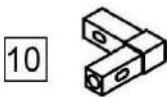
8 Centre Frame rail x1



9 Side Frame rail x2



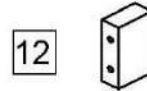
15 Non-Woven Fabric x1



10 Plastic L-Bracket x4



11 Corner Bracket x4



12 Holding Block x4



13 Adjustable Leg x4



14 Mattress Stopper x2



16 Wood Slat x30

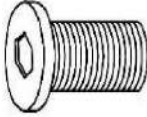








17 Side Slat Cap x30



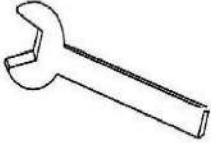


18 Centre Slat Cap x15

Hardware

<p>A </p> <p>25mm x M8 Bolt x12</p>	<p>B </p> <p>Flange nut x2</p>	<p>C </p> <p>15mm x M6 Bolt x12</p>
<p>D </p> <p>Flat washer x12</p>	<p>E </p> <p>30mm x M6 Bolt x6</p>	<p>F </p> <p>40mm x M6 Bolt x8</p>
<p>G </p> <p>60mm x M6 Bolt x8</p>	<p>H </p> <p>Spring washer x12</p>	

Tools (supplied)

 <p>5mm Allen key x 1</p>	 <p>4mm Allen key x 2</p>	 <p>Spanner x 1</p>
--	--	--

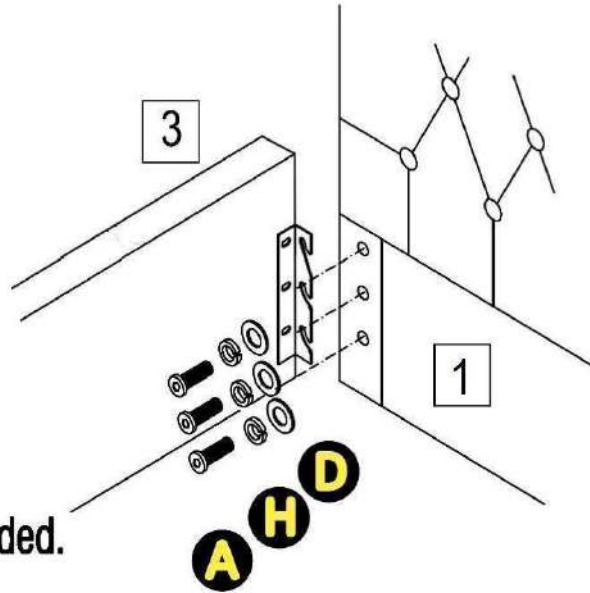
Assembly Instructions

Step 1: Attaching side rail

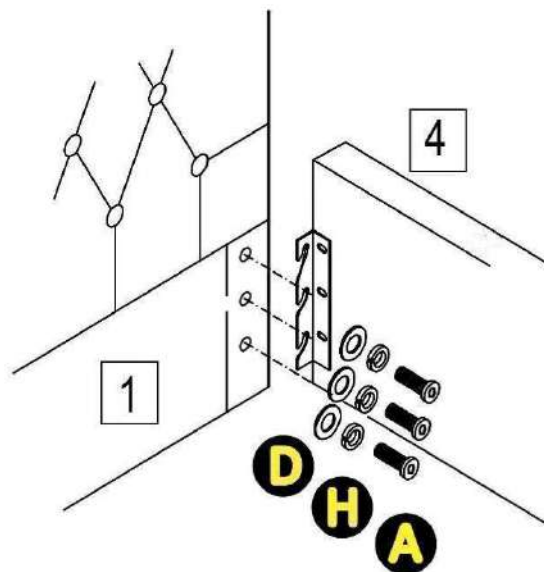
Position left side rail (3) adjacent to headboard (1) so that the holes in the headboard line up with the bracket on the side rail.

Secure in place using bolts (A), spring washers (H) and flat washers (D)

Tighten using the allen key provided.



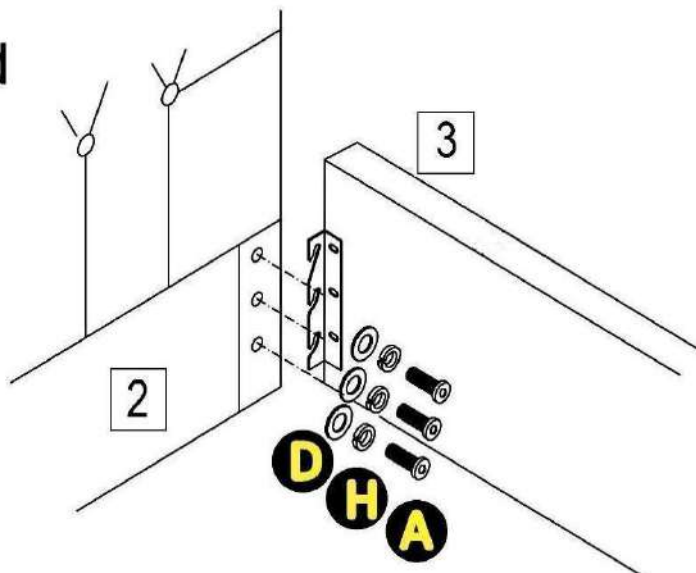
Repeat for right side rail (4).



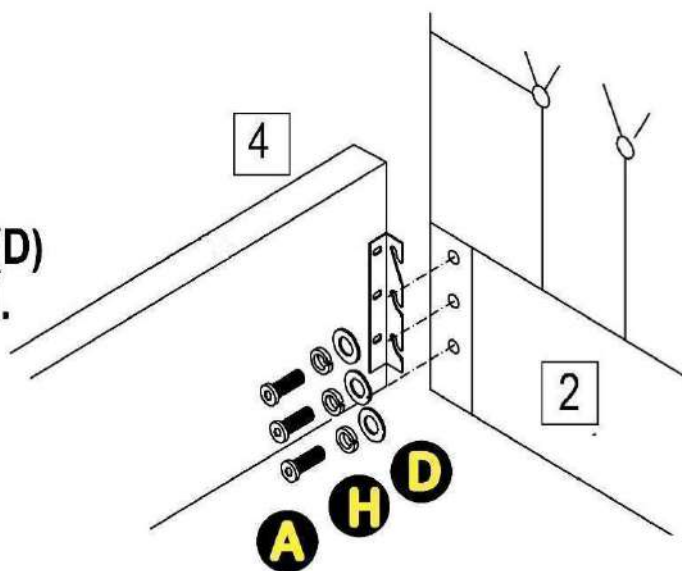
Assembly Instructions

Step 2: Attaching footboard

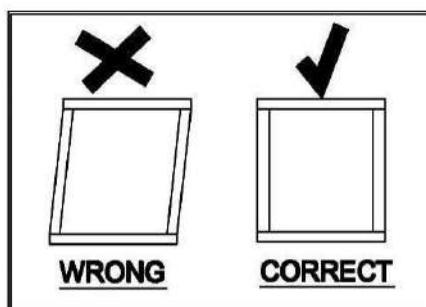
Place footboard (2) in position at the end of the side rails (3) & (1) so the holes in the footboard line up with the brackets on the side rail.



Secure in place using bolts (A), spring washers (H) and flat washers (D). Tighten using the allen key provided.



Before tightening the bolts, please ensure the bed frame is square.

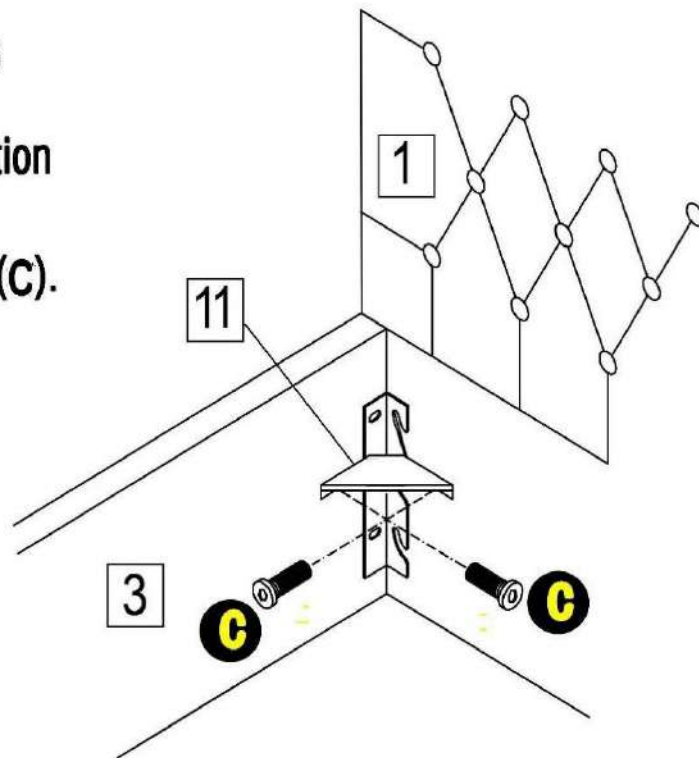


Assembly Instructions

Step 3: Fix corner brackets

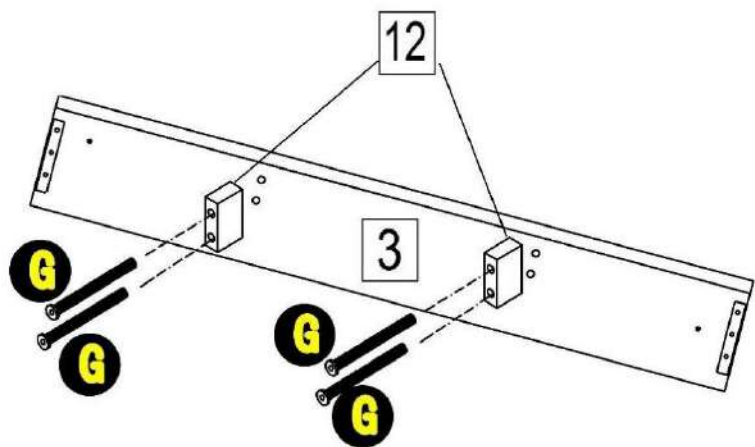
Fix corner bracket (11) in position between the left side rail (3) and headboard (1) using bolt (C).

Repeat for other 3 corner brackets in each corner of the bed frame.



Step 4: Fix holding block

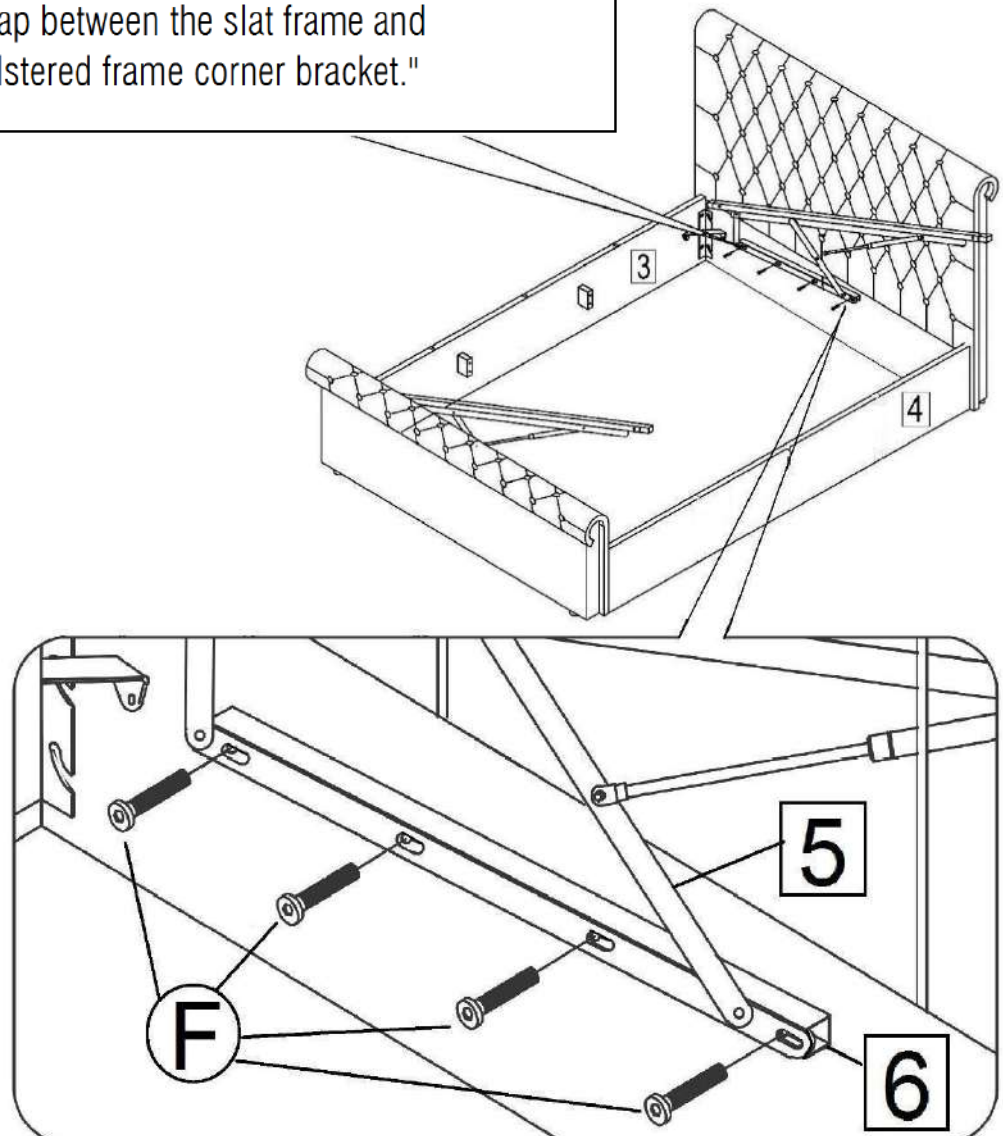
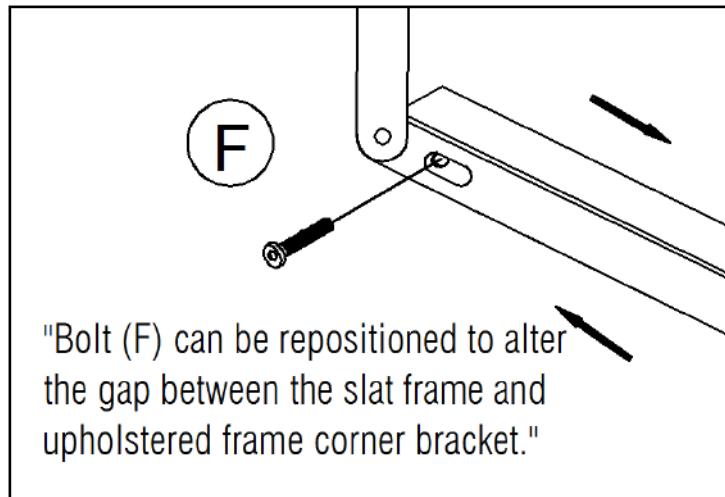
Fix holding block (12) onto Side Rails (3) & (4) using bolt (G) and tighten using allen key.



Assembly Instructions

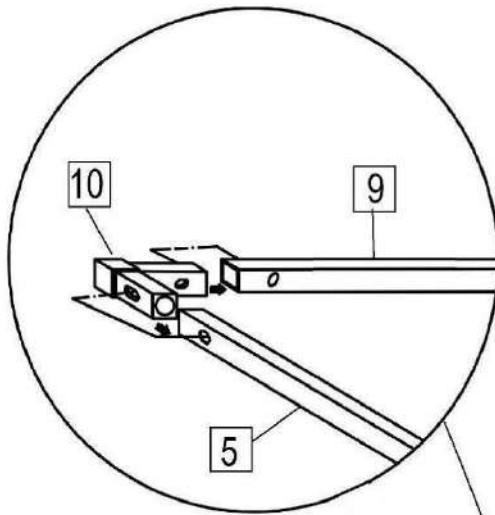
Step 6: Assemble Pneumatic Arm

Attach the pneumatic support rail (6) between headboard (1) and pneumatic arm (5) and secure using 4 bolts (F) and tighten with Allen key provided. Repeat on the footboard (2)



Assembly Instructions

Step 7: Assemble slat frame



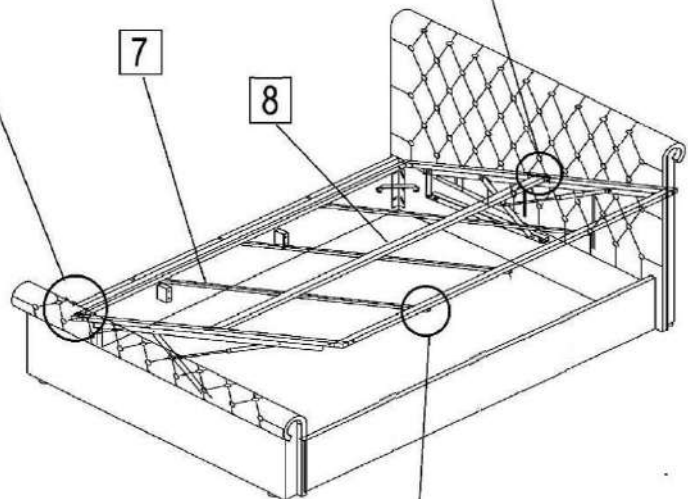
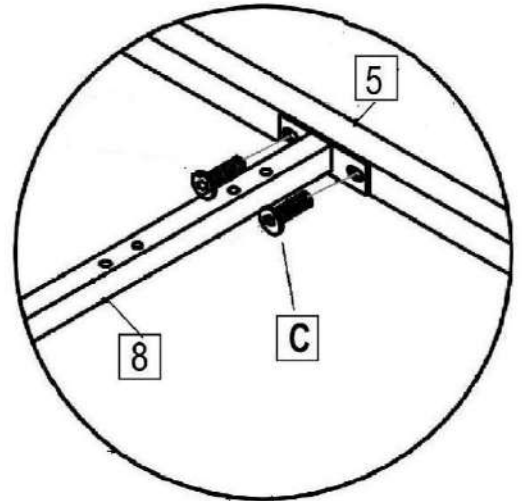
Step 7a :

Attach the Side Frame Rails (9) to the Pneumatic Rails (5) which are already attached to the Lifting mechanism with the Plastic L-Brackets (10)

Repeat on all the 4 corners

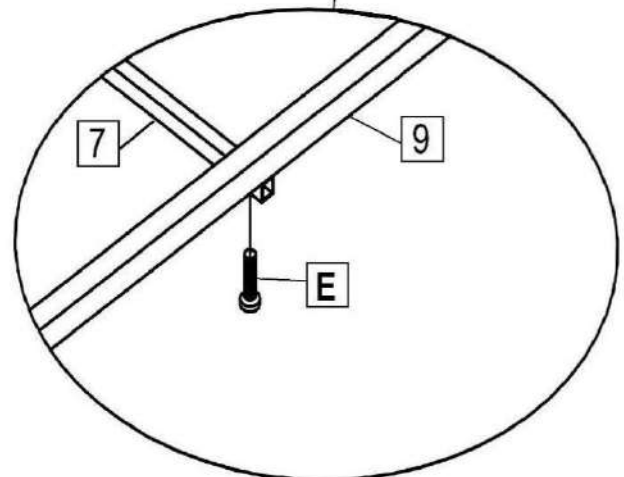
Step 7b :

Attach Centre Frame Rail (8) to Pneumatic Rail (5) using Bolt (C). Tighten with Allen key provided. Repeat on Footboard end.



Step 7c :

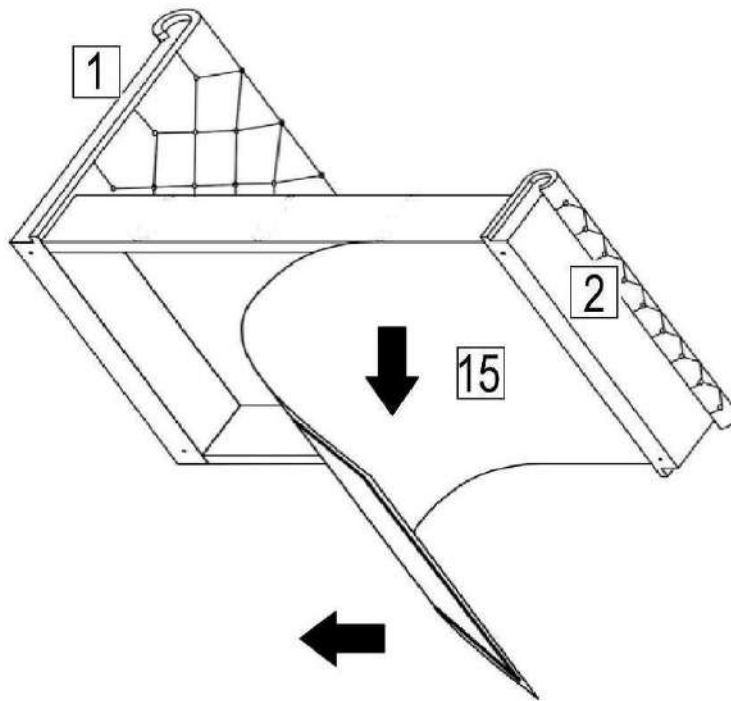
Attach the Horizontal Frame Rail (7) on the bottom of Side Frame Rail (9) using Bolt (E). Tighten with Allen provided.



Assembly Instructions

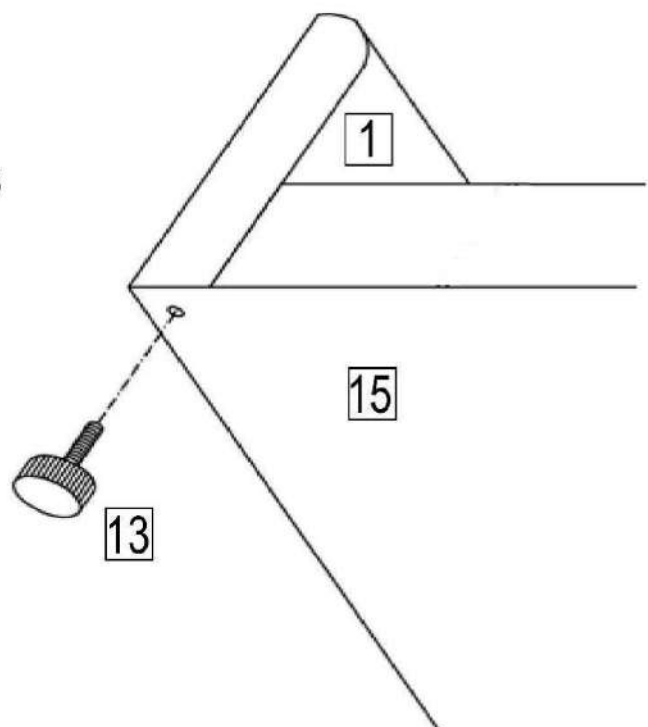
Step 8a : Attach Non-Woven Fabric

Turn bed on its side and attach non-woven fabric (15) to bed base.



Step 8b : Attach Adjustable Legs

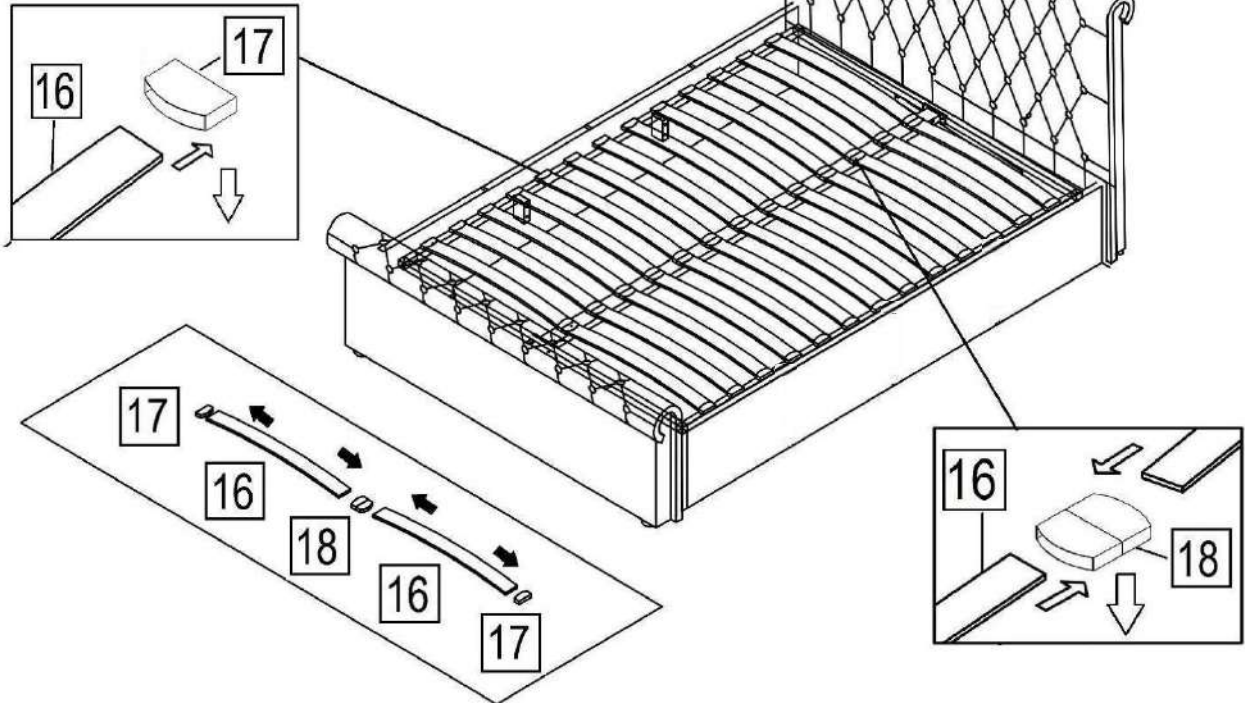
Attach the adjustable Legs (13) to the base and tighten to the correct bed and floor levelling.



Assembly Instructions

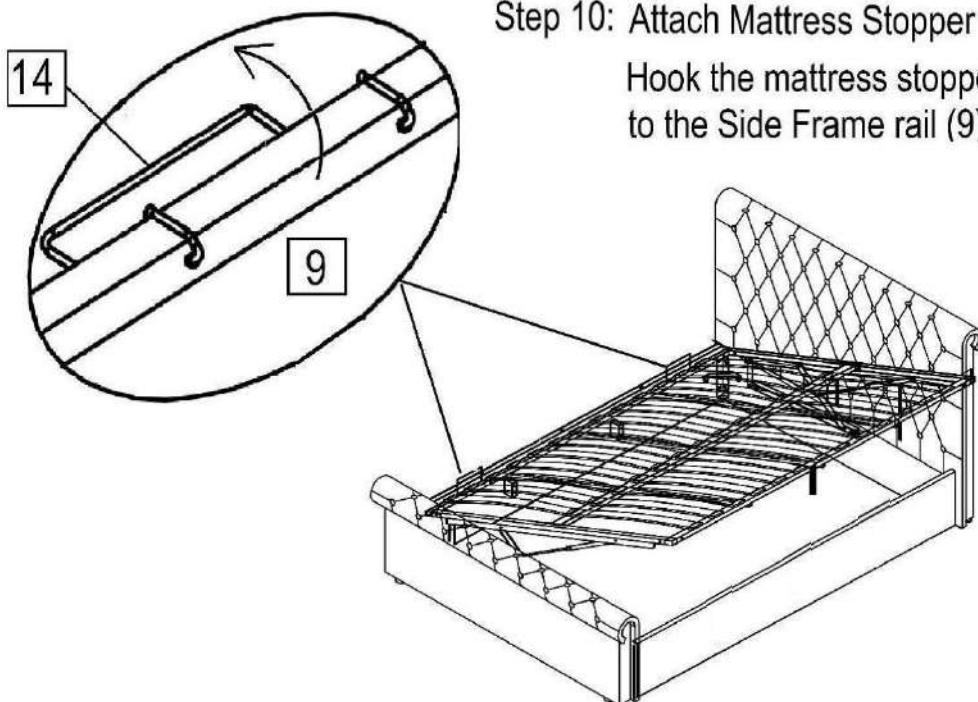
Step 9 : Assemble Wood Slats

Attach Centre slat cap (18) and Side slat cap (17) to Wood slat (16) and push into the holes on the rails.



Step 10: Attach Mattress Stopper

Hook the mattress stopper (14) to the Side Frame rail (9)

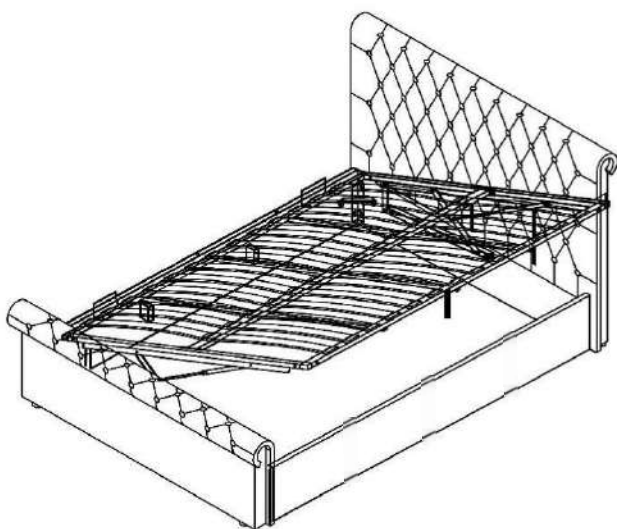
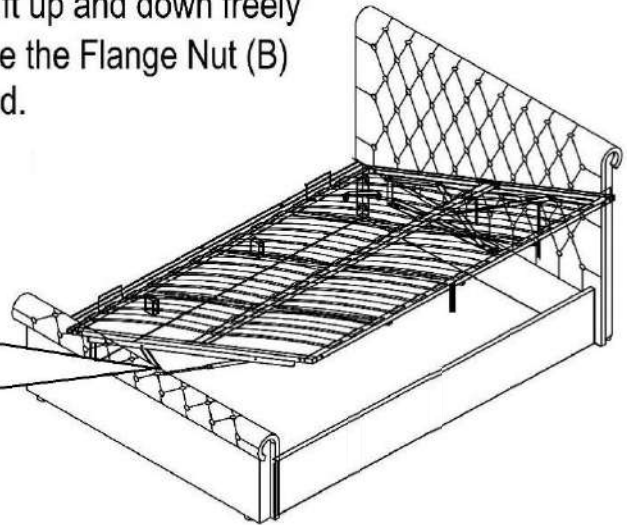
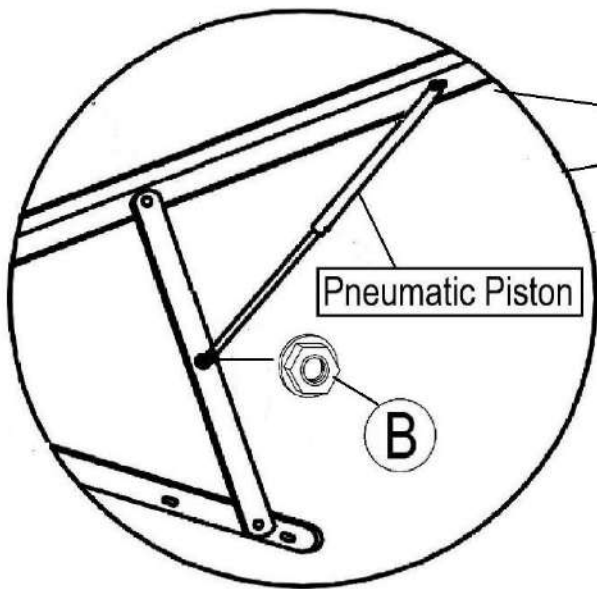


Assembly Instructions

Step 11: Assemble the Pneumatic Piston to Pneumatic Arm

Before connecting the pneumatic piston, ensure the pneumatic arm is functioning correctly. It should be able to lift up and down freely with adequate clearance on all sides. Secure the Flange Nut (B) as shown, and tighten with Spanner provided.

Do Not Over Tighten. !!!



Bed Complete Assemble.

Can be Assemble to be opened on Left or Right Side.

IMPORTANT NOTICE

OTTOMAN OPERATING INSTRUCTIONS

Once your bed frame is completely assembled the slat frame will not operate correctly unless a mattress is placed on the slat frame. Place the mattress on the slat frame whilst it is in the closed position. Use the strap handle and pull up to Open the ottoman. To Close use 2 hands at arm's length to push down the bed frame end, in between the 2 rows of bed slates. DO NOT use the strap handle to close the ottoman.

PLEASE NOTE - it takes a lot of force to make the initial movement to close the ottoman. This is a design feature of the product so the slat frame does not fall shut down involuntary. The nearer the slat frame to being closed the easier the slat frame will move downwards. When the ottoman is almost shut it will close completely under its own and mattress weight.

When lowering the slat frame for the first time, take care to make sure it does not rub unevenly on the inside face of the side rails. If it does, the bed has been assembled slightly out of square. This can be aligned by moving the foot end of the bed slightly to the left or right whilst leaving the head end stationary.

PISTONS

The pistons used in the construction of this product are extremely strong and cannot be operated by hand when taken off the ottoman. All pistons are tested for correct pressure and operation before being attached to the slat frame.

Initially it might appear that the pistons are very stiff when opening and closing the ottoman - **THIS IS PERFECTLY NORMAL**.

After operating the ottoman a few times, the movement of the pistons and the opening and closing of the ottoman will become easier.

WARNING

For the safety of yourselves and others, please ensure that:

- Use only the strap handle when lifting up the slat frame.
Failure to comply with this warning may result in injury and finger entrapment.
- The handle is attached and always left visible on the outside of the bedstead frame.
- The metal slat frame is fully raised in full 'Up' position before using the ottoman space, otherwise the metal slat frame could close (fall) or open (spring up) causing injury.
- Children and pets **MUST NOT** be left unattended when the frame is in the lifted 'Up' position as they could become trapped inside the ottoman space.
- Please keep children and pets away from the ottoman bedstead whilst opening and closing the slat frame to avoid injury.
- The items store under the bed - i.e. the top of an item must not touch the underside of the mattress metal frame base or it may get damaged.

IMPORTANT INFORMATION

The pistons used in the construction of this product are extremely strong and cannot be operated by hand when not fitted to the ottoman hinges. All pistons are tested in the factory for correct pressure and operation before use.

Initially it might appear that the pistons are very stiff when opening and closing the ottoman frame, THIS IS NORMAL.

After operating the ottoman a few times, the movement of the pistons and the opening and closing of the ottoman will become easier.

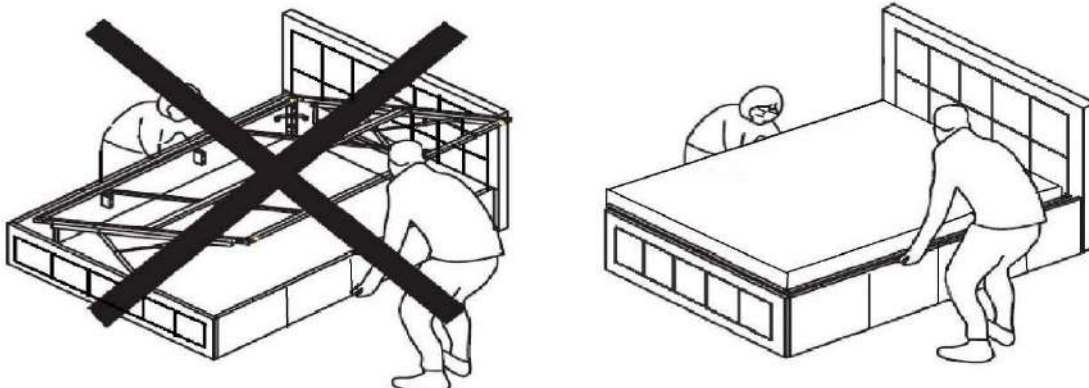
PLEASE NOTE - It takes a lot of force to make the initial movement of the ottoman. **THIS IS A DESIGN FEATURE OF THE PRODUCT SO THAT IT DOES NOT FALL SHUT.** When the ottoman is almost shut, it will close completely under its own weight. The speed of closing depend on the weight of the mattress so always keep fingers clear of the frame. Periodically check and tighten bolts to ensure that the components are tight and secure.

When lowering the slat unit for the first time, take care to make sure it does not rub unevenly on the inside face of the Side Rail. If it does, the bed has been assembled slightly out of square. This can be rectified by moving the Footboard of the bed slightly to the left or right whilst leaving the headboard of the bed frame stationary.

If you are experiencing difficulty with the initial compression try fitting one piston at a time (following the Assembly Instructions) then press down on the side of the frame with the piston fitted - this acts like a big lever (The weight of the mattress can be used to supplement the load exerted). Effectively you are doubling the amount of force applied, because you have halved the resistance offered by the pistons. It can take slightly more effort than you might feel comfortable applying to the bed frame at first.



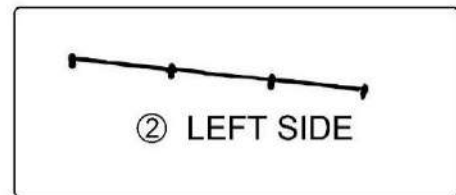
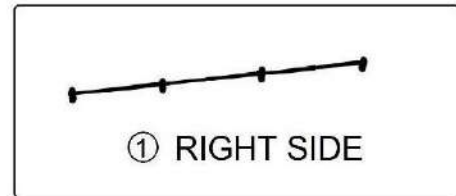
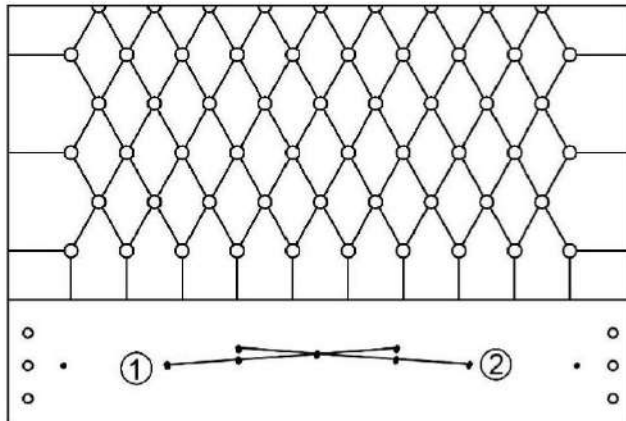
To operate the ottoman, always use 2 hands at arm's length. You must ensure the mattress is on the bed frame before lifting the mechanism. **Failure to do so may result in injury.**



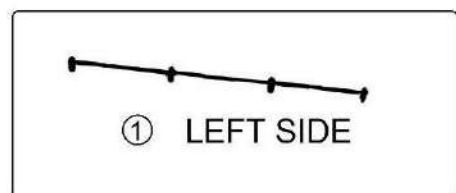
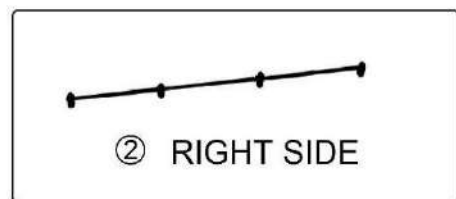
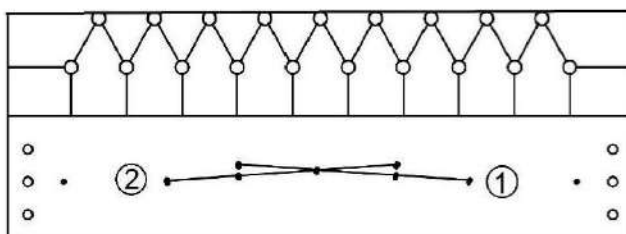
Do not attempt to move the bed whilst the frame is opened in the upright position.

Assembly Instructions

Step 5: Fixing Gaslift Mechanism (Pneumatic Arm) to Headboard and Footboard.



Step 5a: HEADBOARD - The Four Pre-drilled holes on the headboard and footboard are for the installation of the gaslift mechanism (pneumatic arm) for the ottoman to be lifted **LEFT** or **RIGHT** side.



Step 5b: FOOTBOARD - The Four Pre-drilled holes on the headboard and footboard are for the installation of the gaslift mechanism (pneumatic arm) for the ottoman to be lifted **LEFT** or **RIGHT** side.