

futura

Digital Panel Heater

FCV1000 FCV1500

FCV2000

User Manual

Please read and
retain for future
reference



[www.futura direct.co.uk](http://www.futura-direct.co.uk)

This product is only suitable for well insulated spaces or occasional use.

Search for
futura *direct*

on You 

For in-depth
user guides &
tutorials

Follow Us @:



Thank you for choosing our FUTURA Digital Panel Heater. Please be sure to read this users' manual carefully before using the unit. If you should encounter any problems, please contact a qualified service technician for help.

CONTENTS

Parts List

Technical Information

Safety Instructions

Using your Heater

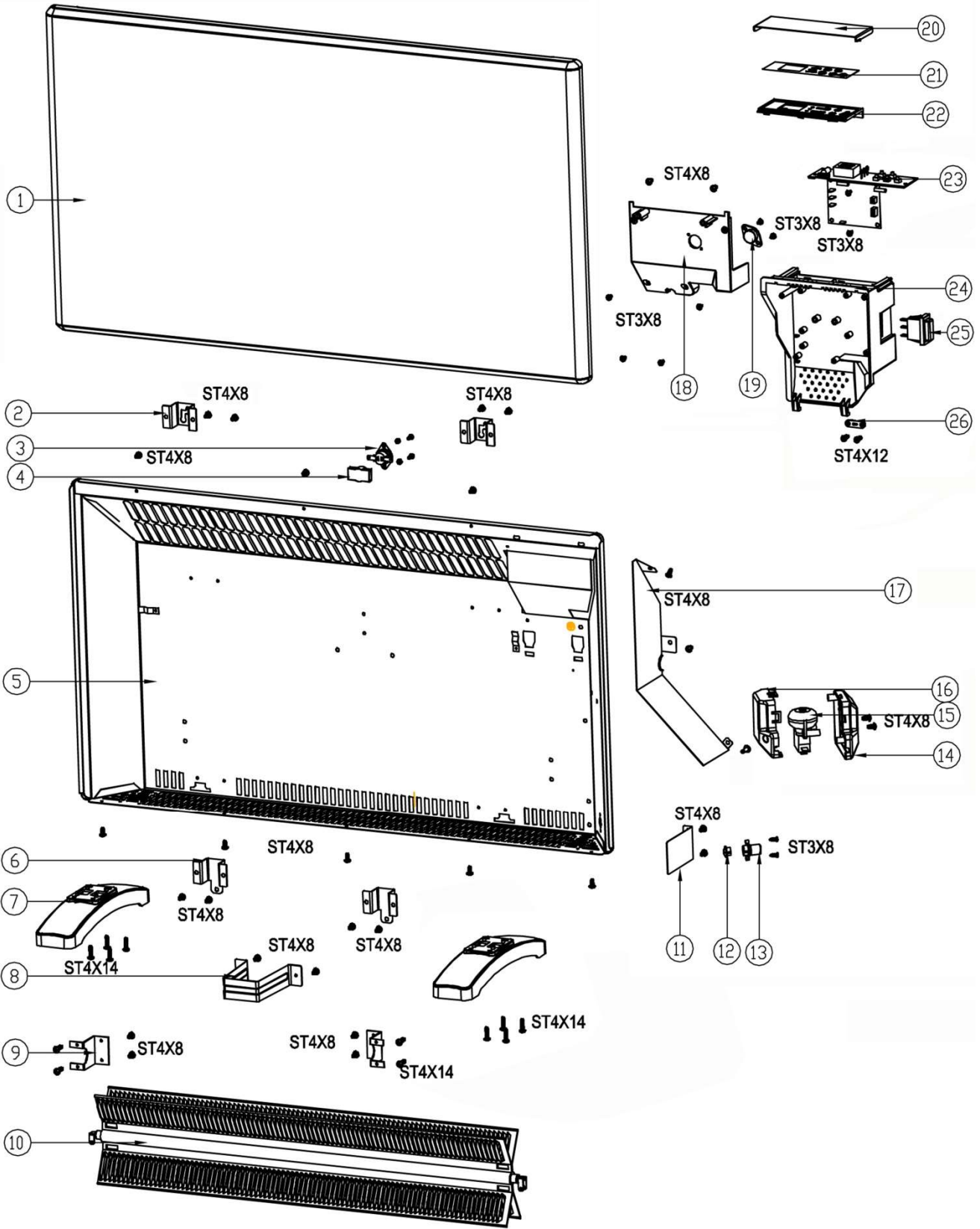
Maintenance

Warranty

PARTS LIST

No.	Description	No.	Description
1	Front Panel	14	Tip Over Switch Box (Bottom)
2	Hook Rack (Top)	15	Tip Over Switch
3	Thermostat	16	Tip Over Switch Box (Top)
4	Waterproof Cover	17	Control Box Dam-board
5	Rear Cover	18	Control Box Cover
6	Hook Rack (Bottom)	19	Stopper Cover
7	Feet	20	Decoration Cover
8	Support Frame	21	Sticker
9	Heating Element Support	22	Small Panel
10	Heating Element	23	PCB
11	Sensor Dam-board	24	Controller
12	Sensor Fixed Cover	25	Power Switch
13	Sensor Fixed Part	26	Tension Disc

Exploded Assembly Diagram



NOTICE: Actual product may vary from pictures shown.

TECHNICAL INFORMATION

LED Digital panel heater

Model: FCV1000

Rated Voltage: 230V ~ 50Hz

Rated Power: 1000W

IP rating: IPX4

Machine Size (without feet): 54x8x40cm (Length x Width x Height)

Model: FCV1500

Rated Voltage: 230V ~ 50Hz

Rated Power: 1500W

IP rating: IPX4

Machine Size (without feet): 70x8x40cm (Length x Width x Height)

Model: FCV2000

Rated Voltage: 230V ~ 50Hz

Rated Power: 2000W

IP rating: IPX4

Machine Size (without feet): 86x8x40cm (Length x Width x Height)



Read this entire manual before using this product. Failure to do so can result in serious injury. Save this manual for future reference.

Copyright© 2018 by FUTURA Direct Ltd. All rights reserved. This manual or any artwork contained herein must not be reproduced in any shape or form without the express written consent of FUTURA Direct Ltd. Diagrams within this manual may not be drawn proportionally. Due to continuing improvements, actual product may differ slightly from the product described herein.

SAFETY INSTRUCTIONS

Read this owner's manual completely and make sure you understand all of its safety guidelines.

WARNING! To avoid electric shock or damage due to the heat, always make sure the plug is pulled out before the heater is moved or cleaned.

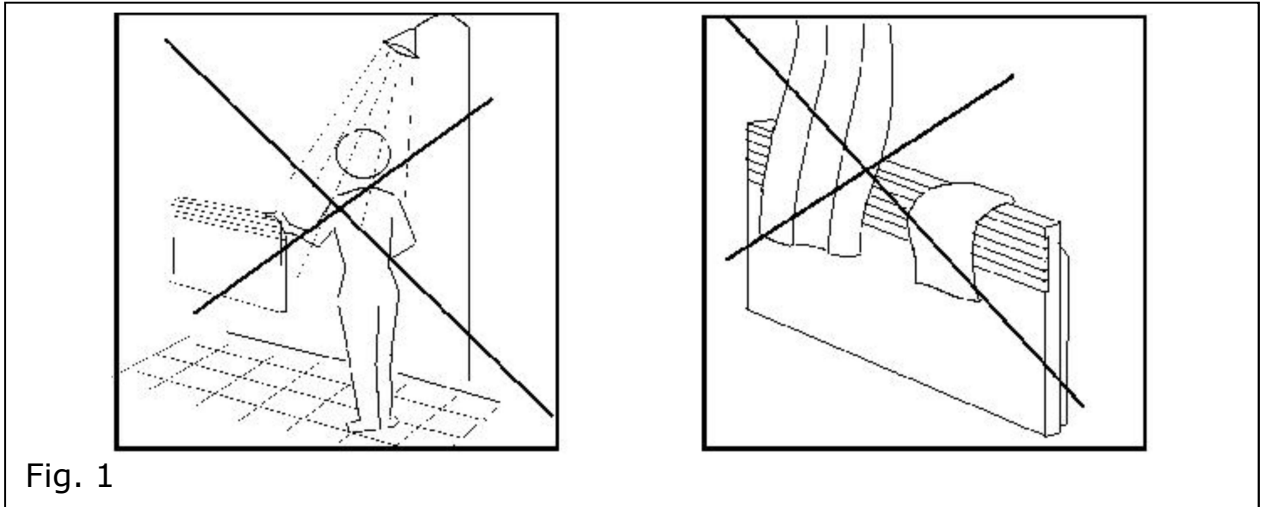
1. Read the instructions carefully.
2. The product is intended for home use only.
3. Make sure the heater is connected to the house's regular mains (230 V), as it indicated on the heater.
4. New heaters will produce a specific odor when used the first time. This will stop after a short time and is completely harmless.

futura Digital Panel Heater FCV1000/ FCV1500/ FCV2000

5. Check for any pieces of packing foam or cardboard that may have fallen into the heating elements of the heater. These pieces must be removed in order to avoid unpleasant odors.
6. Prevent the heater from overheating – **do not cover**.
7. Always turn off the heater and unplug it when not used for a long time.
8. Pay special attention if the heater is used in rooms where children, the handicapped or elderly reside.
9. The heater should not be set up directly beneath an electrical socket outlet.
10. The cord must not be laid under any kind of carpet. Make sure the cord is laid in such a way that nobody can trip on it.
11. The heater must not be used if either the cord or plug is damaged. The heater must not be used if it has been dropped on the floor or is damaged in any other way causing it to malfunction.
12. The cord must be repaired by the manufacturer or by an expert if it has been damaged, to avoid dangerous situations.
13. Avoid using extension cords, which may overheat and could possibly start a fire.
14. Never cover the air vents on the heater. Avoid potential fire hazards by making sure the air intakes are not blocked or covered. The heater should be used in rooms with normal flat floors.
15. The heater should not be installed in close proximity to flammable materials of any kind because there can always be a risk of fire.
16. The heater must never be used in rooms where gasoline, paint or other flammable liquids are stored, such as in a garage.
17. The heater is approved for use in zone 2 in bathrooms.
18. Never touch an electric heater with wet hands. The heater should be installed so a person showering or taking a bath cannot come into direct contact with it.
19. The heater becomes hot when it is on. Therefore, be careful and avoid burning or scorching your skin.
20. The heater must be switched off, the plug removed and the heater must cool down before it is moved.
21. Avoid overloading the mains (the circuit) where the heater is connected. The heater may overload the electrical circuit if other electrical devices are plugged into the same socket outlet.
22. The device cannot be used by children under 8 years of age and persons with reduced physical or mental abilities or lack of experience and knowledge unless they have been given supervision or instruction in the safe use of the device and understand the hazards involved.
23. Children should not play with the device. Cleaning and maintenance should not be done by unsupervised children.
24. Children under the age of 3 should be kept away from the device, unless they are under constant supervision.
25. Children aged 3 to 8 years are only permitted to turn the device ON/OFF, assuming the device is mounted according to the assembly instructions and the children have received instruction or supervision in the safe use of the device and understand the hazards involved.
26. **STORE THIS INSTRUCTION MANUAL FOR FUTURE USE!**

futura Digital Panel Heater FCV1000/ FCV1500/ FCV2000

27. **NEVER TOUCH YOUR PANEL HEATER OR ITS CASING WITH WET HANDS!**
See Fig. 1



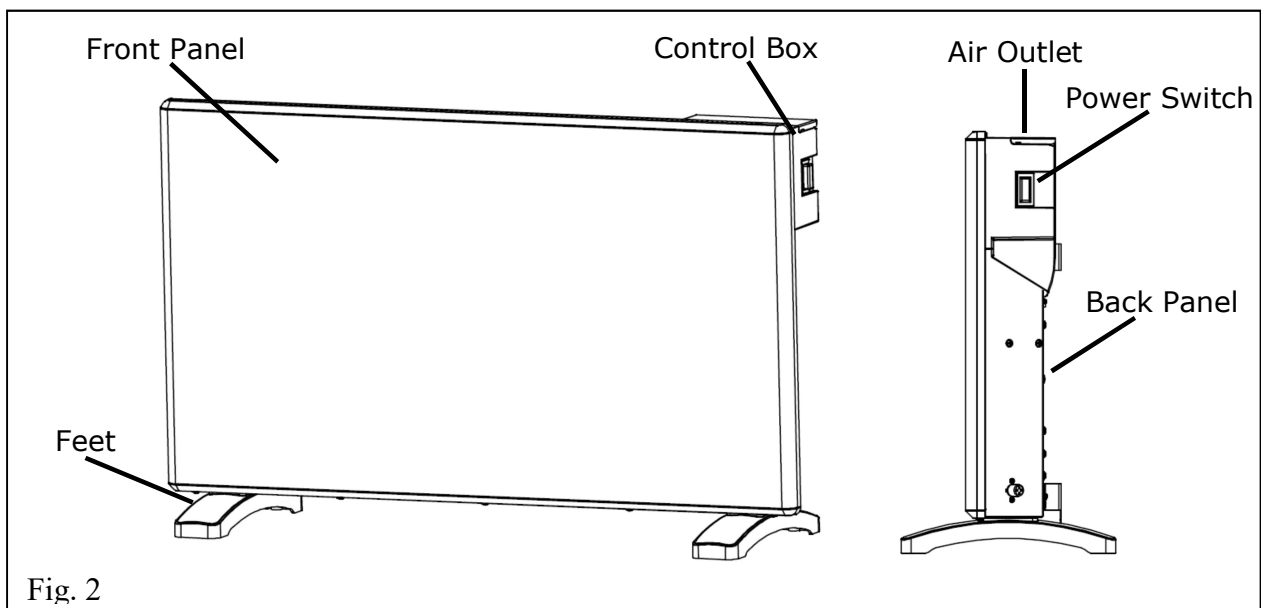
Unpacking

Carefully remove the product and any accessories from the box. Make sure that all items listed in the packing list are included.

Packing List

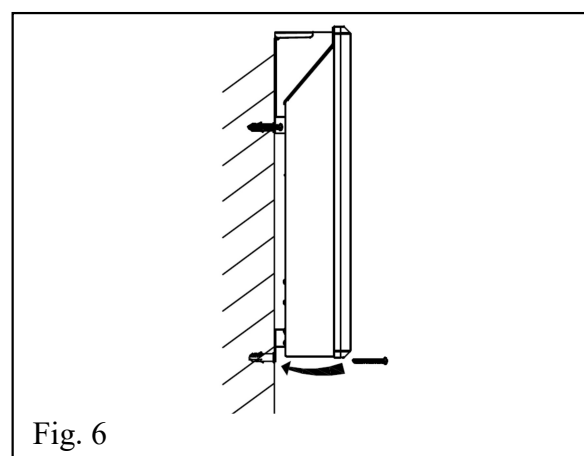
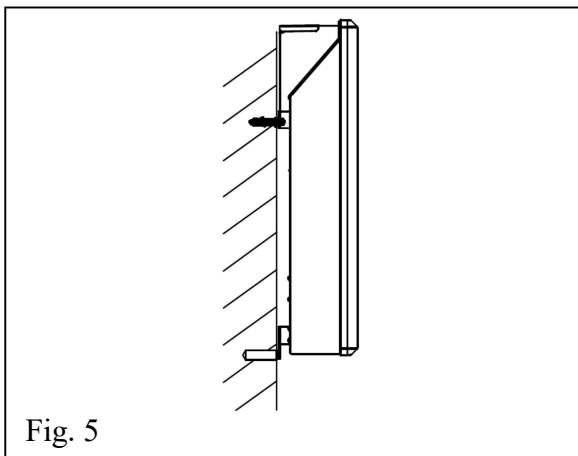
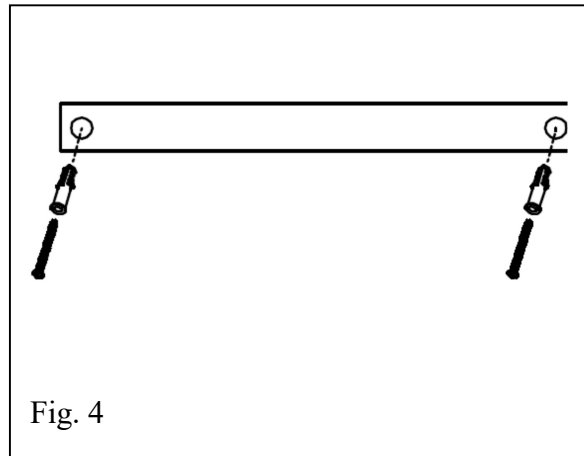
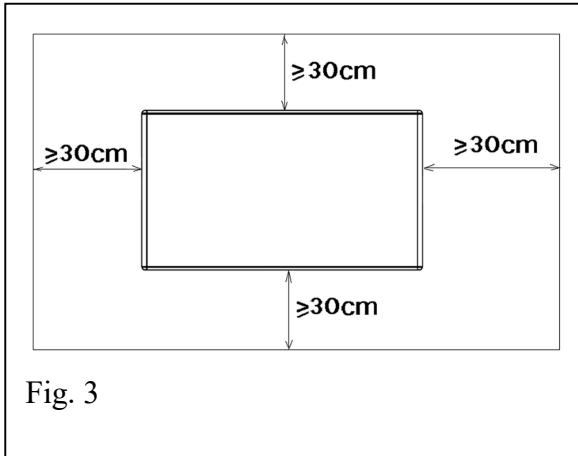
- A) Panel heater
- B) Manual

USING YOUR HEATER



OPERATION INSTRUCTION
ASSEMBLY

For wall mounted

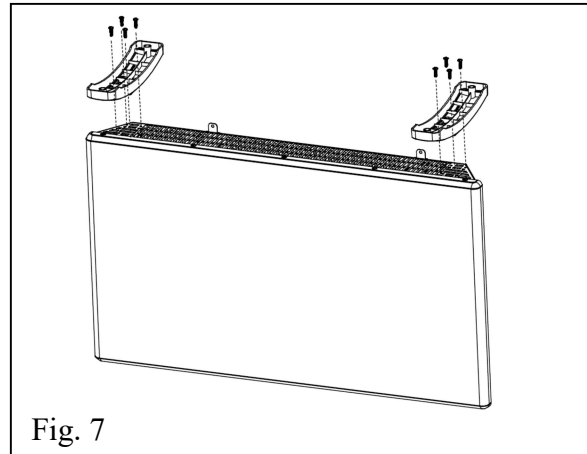


1. Be sure to keep the distance between the heater and floor, wall and so on at least 30cm as picture (Fig. 3).
2. Use drill dimension paper to drill **top two holes ($\Phi 8$)** on the wall and put the expansion screws in the holes as picture (Fig. 4).
3. The hook racks are pre-assembled on the back of the heater, hang the top two hook racks on the screws as picture (Fig. 5). Mark the two bottom hook rack's position on the wall and take away the heater, then drill **bottom two holes ($\Phi 8$)** on the wall and put expansion screw's plastic cover in the holes as picture (Fig. 5).
4. Hang the heater on the wall and put the expansion screws in the bottom two holes as picture (Fig. 6).

futura Digital Panel Heater FCV1000/ FCV1500/ FCV2000

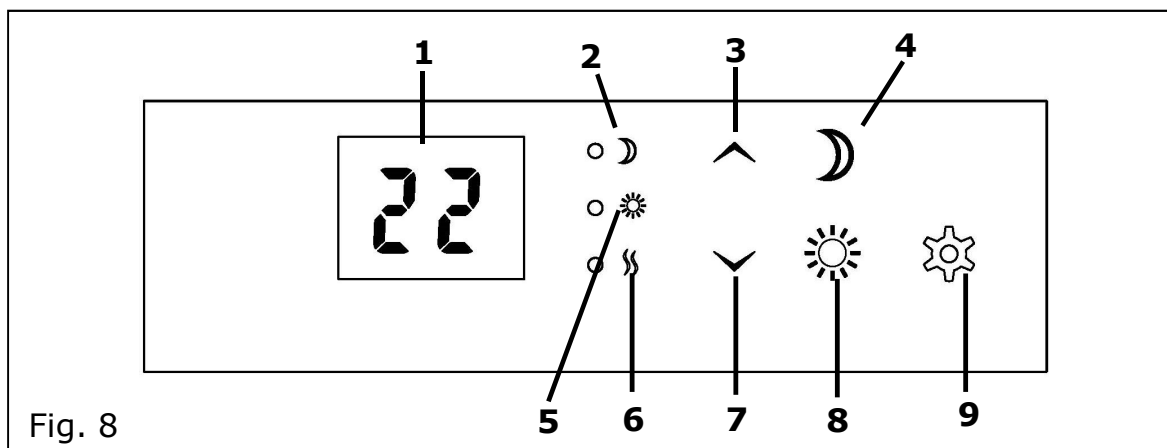
For Stand (Fig. 7)

1. Fit the foot onto the bottom of the body.
2. Fasten the foot with 4 screws.



Electronic thermostat – Instructions

Control panel for electronic thermostat:



- 1, Display (shows the desired room temperature by default)
- 2, Control light - Night function
- 3, Control button (+) (increase temperature)
- 4, Night function
- 5, Control light - day function
- 6, Power indicator
- 7, Control button (-) (reduce temperature)
- 8, Day function
- 9, Function button (F) / Open window function

Warning: Before the heater is turned on, it must be attached to a wall or stand. If the heater is not installed correctly or is installed askew, this may cause the heater to malfunction or in the worst case, be damaged.

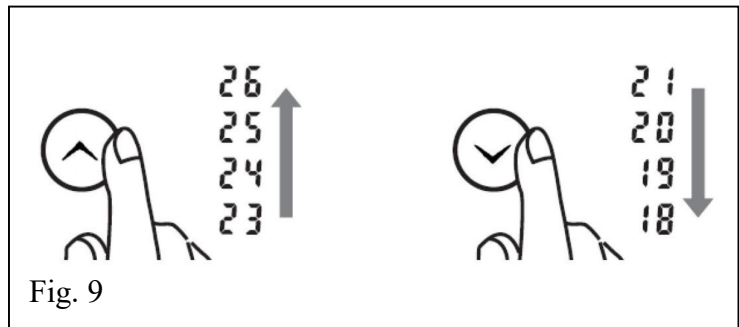


If the temperature sensor is not functioning properly, you will see the symbol on the display. Please contact the dealer or importer.

futura Digital Panel Heater FCV1000/ FCV1500/ FCV2000

Set the desired temperature

Press the arrow buttons to set the desired temperature. See Fig. 9.

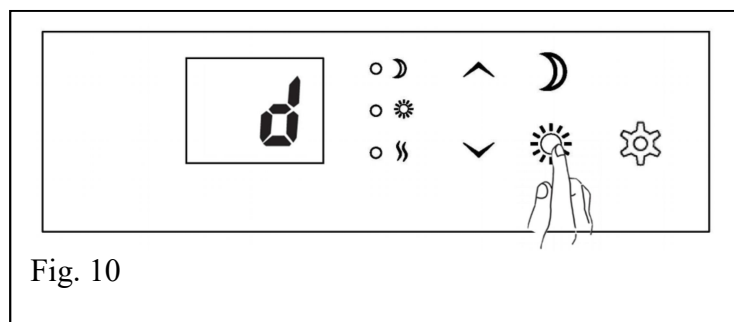


Day/night thermostat – Instructions

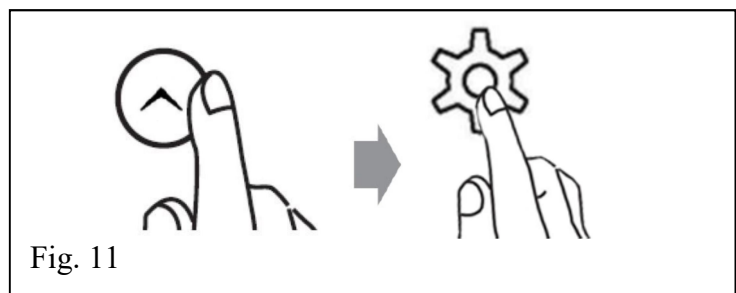
Tip! The thermostat can be used as a regular electronic thermostat (i.e. the heater will maintain a constant temperature 24 hours a day). Please see the section on the electronic thermostat for further information!

1) Daytime setback

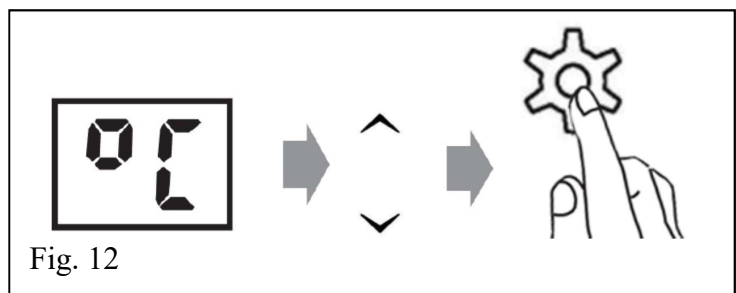
When you want the heater to reduce the temperature during the day (set for weekdays from now on) press ☀️. The display shows "d".



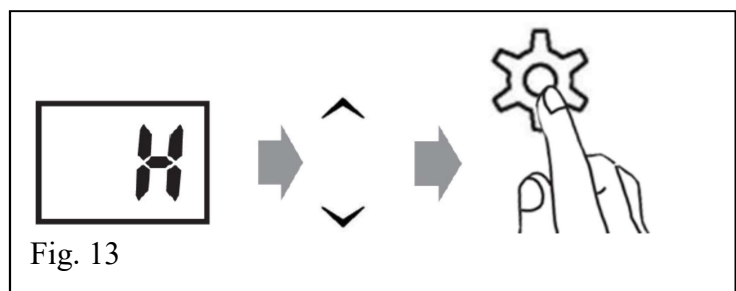
Use the arrow buttons to enter the correct weekday. (Monday=1, Tuesday=2, Wednesday=3, Thursday=4, Friday=5, Saturday=6, Sunday=7). Save by pressing ⚙️.



Enter the desired temperature for daytime setback. Save by pressing ⚙️.



Enter the desired number of hours for daytime setback. Save by pressing ⚙️.



futura Digital Panel Heater FCV1000/ FCV1500/ FCV2000

*Control light ☀️ is steady green when the heater is in an active setback period. The control light is steady red when the setback period is inactive, but has been programmed.

2) Nighttime setback

When you want the heater to reduce the temperature in the evening (applicable every evening/night from now on) press 🌙. The display shows 0°C.

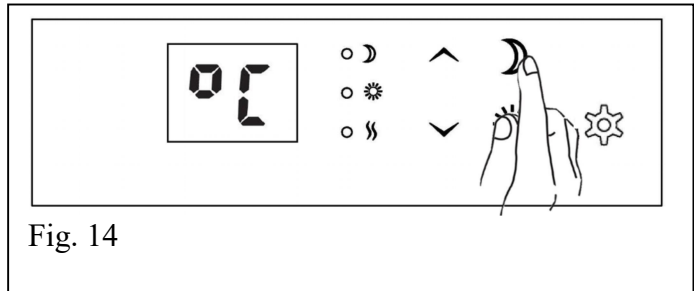


Fig. 14

Enter the desired temperature for nighttime setback. Save by pressing ⚙️.

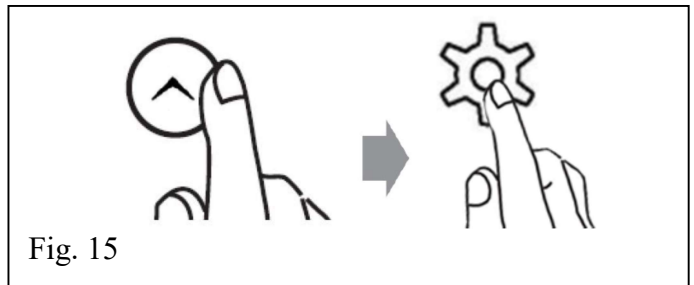
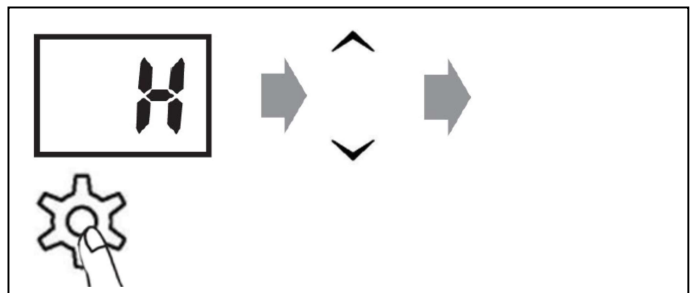


Fig. 15

Enter the desired number of hours for nighttime setback. Save by pressing ⚙️.



*Control light 🌙 is steady green when the heater is in an active setback period. The control light is steady red when the setback period is inactive, but has been programmed.

3) Change setback temperature — Daytime

Press and hold ⚙️ and press ☀️ 3 times.

Enter the desired temperature for daytime setback. Save by pressing ⚙️ or wait 15 seconds for automatic confirmation.

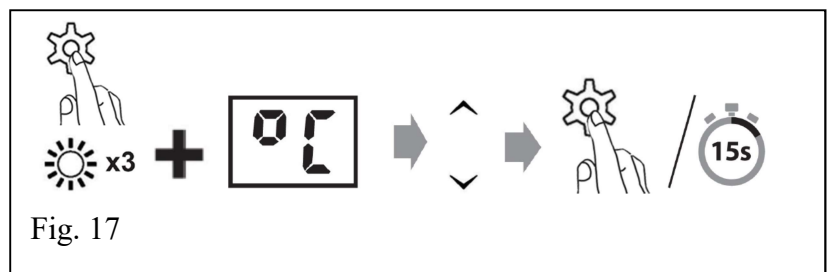



Fig. 17

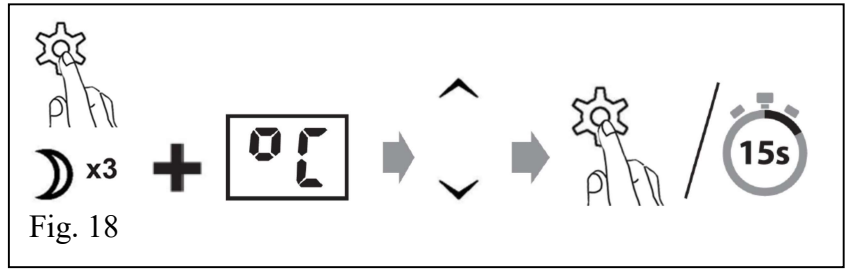
4) Change setback temperature — Nighttime

futura Digital Panel Heater FCV1000/ FCV1500/ FCV2000



Press and hold  and press  3 times.

Enter the desired temperature for nighttime setback. Save by


pressing  or wait 15 seconds for automatic confirmation.

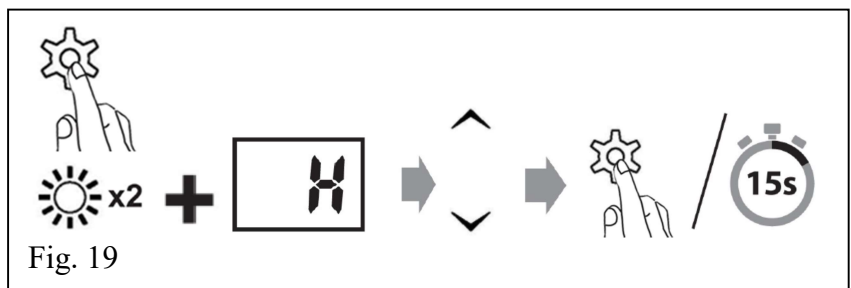


5) Change number of hours — Daytime

Press and hold  and press  2 times.

Enter the desired number of hours for daytime setback.

Save by pressing  or wait 15 seconds for automatic confirmation.

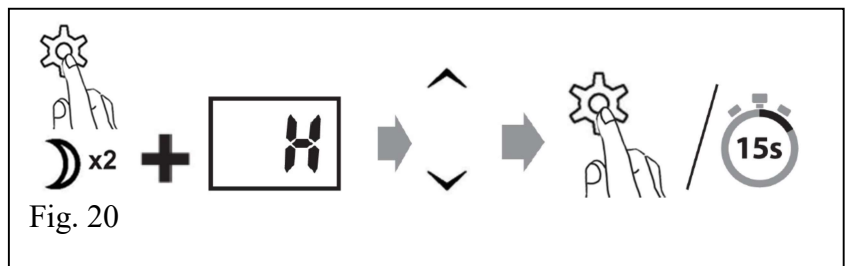


6) Change number of hours — Nighttime




Press and hold  and press  2 times.

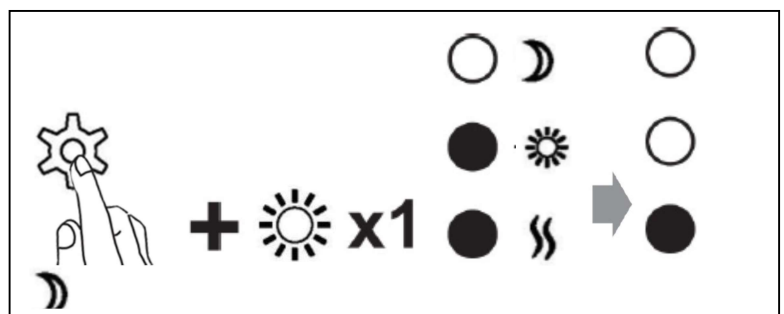
Enter the desired number of hours for nighttime setback.

Save by pressing  or wait 15 seconds for automatic confirmation.



7) Cancel (skip) setback period

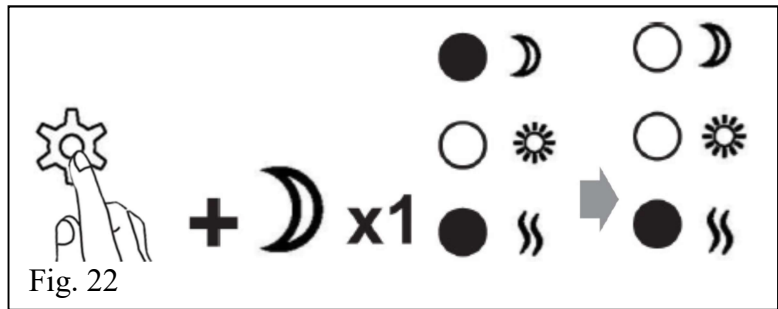
Press and hold  and press  or  once (depending on which setback period you want to cancel).



futura Digital Panel Heater FCV1000/ FCV1500/ FCV2000

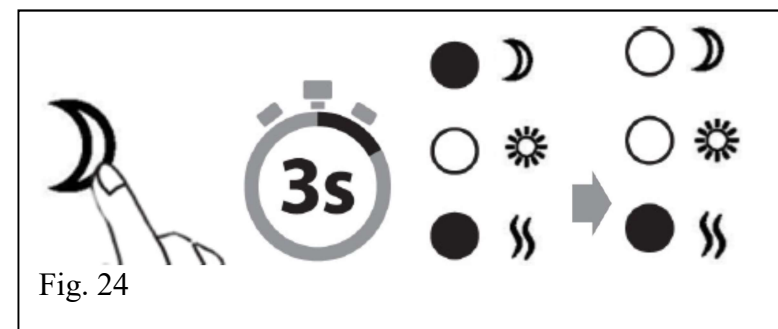
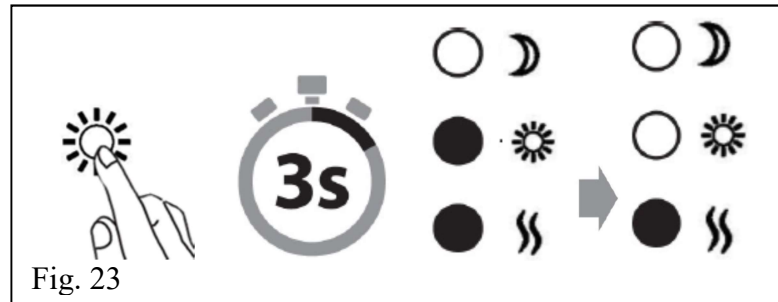
*The heater will skip an active setback period or the next setback period.

*During the next setback period, the heater will automatically resume the programmed temperature reduction.



8) Delete a setback program

Press and hold ☀ or ☾ (depending on which setback period you want to cancel) for 3 seconds.



9) Open window function

The heater has open window function.

If you open a window widely in the space where the heater is located and the temperature drop 2 °C or more than 2 °C in two minutes, a sensor will detect the sharp drop in temperature. The heater will switch out automatically and show F0 in display.

The heater will be reignited automatically after 10 minutes. However you can manually


relight the radiator before the 10 minutes end by pressing ⚙. The icon F0 disappears and show previous operation mode.

Default setting of open window function is closed.

Press and hold ⚙ button for 5 seconds, display show F0, then press ^ button to open open window function, display show icon "ON" and flash for 15 seconds to confirm automatically, or you can press ⚙ to confirm directly.


If open window function is opened, and you want to close, then press and hold ⚙ button for 5 seconds, display show F0, then press v button to close open window function,

futura Digital Panel Heater FCV1000/ FCV1500/ FCV2000

display show icon "OF" and flash for 15 seconds to confirm automatically, or you can press  to confirm directly.

10) Resetting the heater

Turn off the heater's main switch.

Press and hold  while you turn on the heater's main switch.

11) Memory function

*The heater remembers free mode's temperature settings and will automatically return to the desired temperature after a power failure. But it can't remember the settings for day mode and night mode.

MAINTENANCE

1. For cleaning, always unplug the heater and leave it to cool.
2. Wipe the heater regularly with a damp cloth and dry the surface before turning on the heater again.
3. The heater must be cleaned at least once a month during the heating season.
4. Dust etc. should be removed with a soft cloth.
5. The heater can be stored in a dry and clean place.

CAUTION! The heater should never be immersed in water.

Avoid using detergents to clean the heater.

Never let any water get inside the heater; this can be hazardous.

Disposal

Power tools, accessories and packaging should be sorted for environmentally-friendly recycling.

Only for EC countries:



Do not dispose of power tools into household waste!

According to the European Directive 2002/96/EC on waste electrical and electronic equipment and its incorporation into national right, products that are no longer suitable for use must be separately collected and sent for recovery in an environmentally-friendly manner.

DECLARATION OF CONFORMITY

The declaration is to certify that it conforms to CE, EMC, LVD and RoHS directives:

EN55014-1/A2: 2011

EN55014-2/A2: 2008

EN61000-3-2: 2014

EN61000-3-3: 2013

All provisions of Annex 1 of Council Directive 2014/30/EU – EMC directive

EN60335-1: 2014

EN60335-2-30/A11: 2012

EN62233: 2008

All provisions of Annex 1 of Council Directive 2014/35/EU – the Low Voltage Directive

RoHS 2011/65/EU



A handwritten signature in black ink, appearing to read 'P. Kaye'.

Mr. Paul Kaye, UK QA Manager

Please read the following carefully
FUTURA Direct Ltd. and/or its distributor have provided the parts list and assembly diagram as a reference tool only.

Neither FUTURA Direct Ltd. or its distributor makes any representation or warranty of any kind to the buyer that he or she is qualified to do any repairs or replace any parts of this product. FUTURA Direct Ltd. and its distributor expressly state that all repairs or parts replacement should be done by certified or licensed technicians. The buyer assumes all risk and liability arising out of his or her repairs or parts replacement to the original product.

24 MONTHS LIMITED WARRANTY

If within 24 months from the date of purchase you experience any problems with your product, please return the product to its distributor/dealer for repair or replacement. This warranty DOES NOT COVER normal wear, or any damage as a result of accidents, misuse, abuse or negligence.

Form 1: Information requirement for the electric local space heaters

Model identifier(s): NDFL1202D-2E (FCV1000)					
Item	Symbol	Value	Unit	Item	Unit
Heat Output			Type of heat input, for electric storage local space heaters only (select one)		
Nominal heat output	P_{nom}	1,00	kW	manual heat charge control, with integrated thermostat	No
Minimum heat output (indicative)	P_{min}	1,00	kW	manual heat charge control with room and/or outdoor temperature feedback	No
Maximum continuous heat output	$P_{max,c}$	1,00	kW	electronic heat charge control with room and/or outdoor temperature feedback	No
Auxiliary electricity consumption			fan assisted heat output		
At nominal heat output	$e_{l_{max}}$	N/A	kW	Type of heat output/room temperature control (select one)	
At minimum heat output	$e_{l_{min}}$	N/A	kW	single stage heat output and no room temperature control	No
In standby mode	$e_{l_{SB}}$	0	kW	Two or more manual stages, no room temperature control	No
				with mechanic thermostat room temperature control	No
				with electronic room temperature control	No
				electronic room temperature control plus day timer	No
				electronic room temperature control plus week timer	Yes
			Other control options (multiple selections possible)		
				room temperature control, with presence detection	No
				room temperature control, with open window detection	Yes
				with distance control option	No
				with adaptive start control	No
				with working time limitation	No
				with black bulb sensor	No
Contact details	Applicant Name: IMPORTED BY FUTURA DIRECT LTD. Address: DONCASTER,ENGLAND, DN6 7AY				

Form 2: Information requirement for the electric local space heaters

Model identifier(s): NDFL1202D-3E (FCV1500)					
Item	Symbol	Value	Unit	Item	Unit
Heat Output			Type of heat input, for electric storage local space heaters only (select one)		
Nominal heat output	P_{nom}	1,50	kW	manual heat charge control, with integrated thermostat	No
Minimum heat output (indicative)	P_{min}	1,50	kW	manual heat charge control with room and/or outdoor temperature feedback	No
Maximum continuous heat output	$P_{max,c}$	1,50	kW	electronic heat charge control with room and/or outdoor temperature feedback	No
Auxiliary electricity consumption			fan assisted heat output		
At nominal heat output	$e_{l_{max}}$	N/A	kW	Type of heat output/room temperature control (select one)	
At minimum heat output	$e_{l_{min}}$	N/A	kW	single stage heat output and no room temperature control	No
In standby mode	$e_{l_{SB}}$	0	kW	Two or more manual stages, no room temperature control	No
				with mechanic thermostat room temperature control	No
				with electronic room temperature control	No
				electronic room temperature control plus day timer	No
				electronic room temperature control plus week timer	Yes
			Other control options (multiple selections possible)		
				room temperature control, with presence detection	No
				room temperature control, with open window detection	Yes
				with distance control option	No
				with adaptive start control	No
				with working time limitation	No
				with black bulb sensor	No
Contact details	Applicant Name: IMPORTED BY FUTURA DIRECT LTD. Address: DONCASTER,ENGLAND, DN6 7AY				

Form 3: Information requirement for the electric local space heaters

Model identifier(s): NDFL1202D-4E (FCV2000)					
Item	Symbol	Value	Unit	Item	Unit
Heat Output			Type of heat input, for electric storage local space heaters only (select one)		
Nominal heat output	P_{nom}	2,00	kW	manual heat charge control, with integrated thermostat	No
Minimum heat output (indicative)	P_{min}	2,00	kW	manual heat charge control with room and/or outdoor temperature feedback	No
Maximum continuous heat output	$P_{max,c}$	2,00	kW	electronic heat charge control with room and/or outdoor temperature feedback	No
Auxiliary electricity consumption			fan assisted heat output		
At nominal heat output	$e_{l_{max}}$	N/A	kW	Type of heat output/room temperature control (select one)	
At minimum heat output	$e_{l_{min}}$	N/A	kW	single stage heat output and no room temperature control	No
In standby mode	$e_{l_{SB}}$	0	kW	Two or more manual stages, no room temperature control	No
				with mechanic thermostat room temperature control	No
				with electronic room temperature control	No
				electronic room temperature control plus day timer	No
				electronic room temperature control plus week timer	Yes
			Other control options (multiple selections possible)		
				room temperature control, with presence detection	No
				room temperature control, with open window detection	Yes
				with distance control option	No
				with adaptive start control	No
				with working time limitation	No
				with black bulb sensor	No
Contact details	Applicant Name: IMPORTED BY FUTURA DIRECT LTD. Address: DONCASTER,ENGLAND, DN6 7AY				

[www.futura direct.co.uk](http://www.futura-direct.co.uk)

We FUTURA Direct Ltd, England DN6 7AY declare that the Digital Panel Heater is exclusively manufactured for FUTURA Direct Ltd and has been manufactured according to our fully quality assurance procedures.