

Gracious Gardens

18V Lithium Cordless Long Reach Hedge Trimmer GGPTBUN User Manual

Please read and
retain for future
reference



www.futura-direct.co.uk

Search for
futura *direct*

on You 

For in-depth
user guides &
tutorials

Follow Us @:





18V Lithium Cordless Long Reach Hedge Trimmer GGPTBUN

Thank you for purchasing our 18V Lithium Cordless Long Reach Hedge Trimmer which has been designed to give many years of service under normal use. In order to get the most from your 18V Lithium Cordless Long Reach Hedge Trimmer please carefully read and follow the instruction provided.



Assembly Tip!

Congratulations on your purchase of the Terratek Long Reach Hedge Trimmer.

During initial assembly please unscrew the orange knob and pull out the telescopic shaft to reveal the 2 locating pins, then tighten the orange knob back up locking the shaft in position. Doing this makes connecting the two halves together a much easier process.

When tightening the collar make sure it screws all the way up until you can no longer see the screw threads.

Hope this tip helped!

Terratek Customer Service Team, Tel: 01302 332030



**18V Lithium Cordless Long Reach Hedge Trimmer
GGPTBUN**

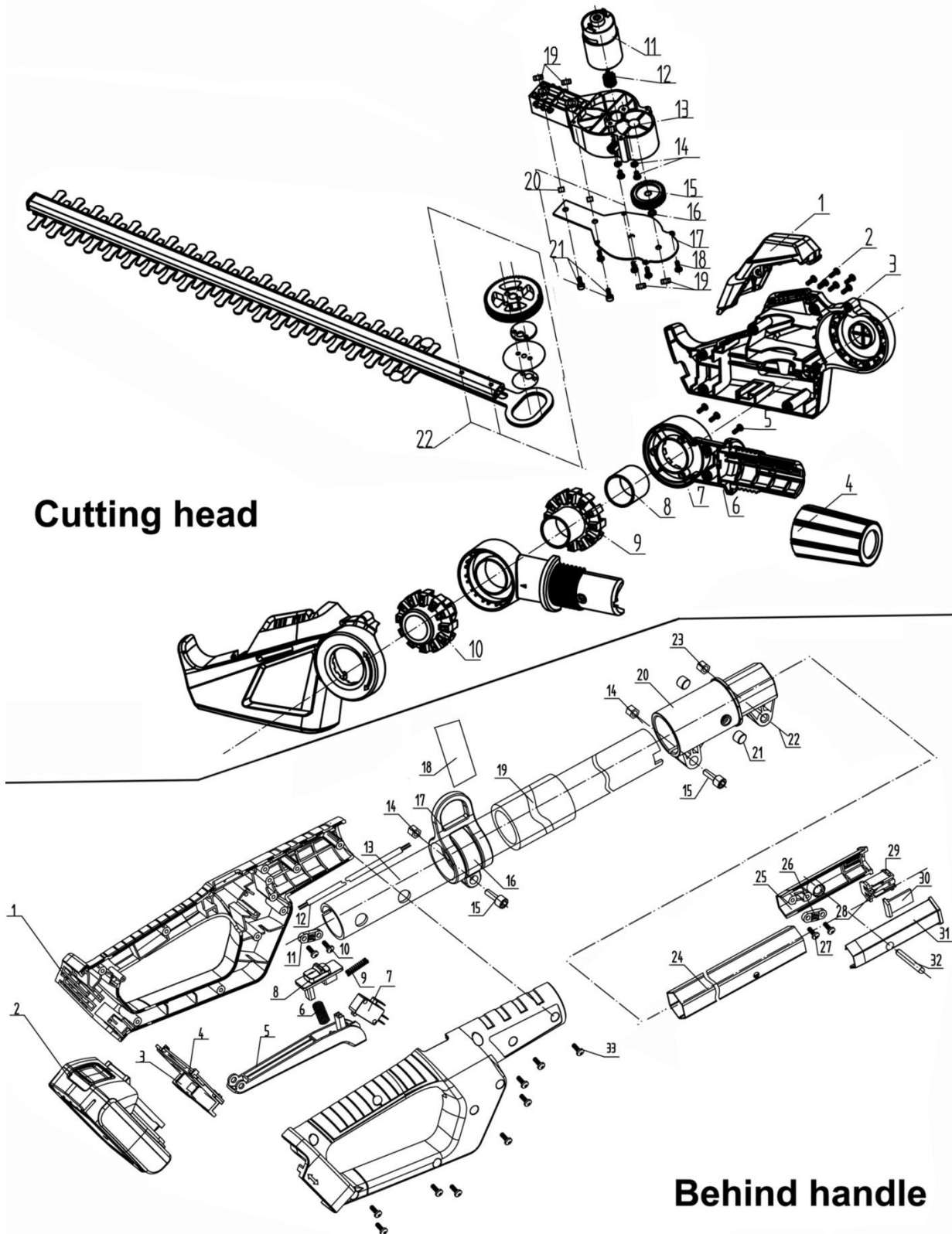
CONTENTS

- Parts List**
- Technical Information**
- Safety Instructions**
- Using your Unit**
- Maintenance**
- Warranty**

PARTS LIST

No.	Description	No.	Description
Cutting head			
1	Cover	12	Motor Gear
2	Screw	13	Gear Box
3	Housing-Cover	14	M4 Screw
4	Lock Knob	15	Duplex Gear
5	Screw	16	Spring
6	Power Support	17	Iron Clamp
7	Jib	18	Screw
8	Spring	19	Lock Nut
9	Angle Knob 1	20	Slide Block
10	Angle Knob 2	21	M5 Hex Blot
11	Motor 550	22	Blade Assembly
Behind Handle			
1	Handle Casing	18	Strap
2	Battery Pack Assembly	19	Sponge Casing
3	Plugins	20	Clamp Ring
4	Bracket	21	Column
5	Switch Button	22	Knob
6	Switch Spring	23	Nut
7	Switch	24	Hex Aluminum Tube
8	Push Button	25	Square Pipe Socket 1
9	Spring	26	Line Board
10	Screw	27	Screw
11	Line Board	28	Insert Spring
12	Spring Line	29	Receptacle 1
13	Fiberglass Pipe	30	Receptacle 2
14	Nut	31	Square Pipe Socket 2
15	Hex Bolt	32	Stop Pin
16	Suspender Circle	33	Screw
17	Strap Buckle		

Exploded Assembly Diagram



Notice: Actual product may vary from pictures shown.

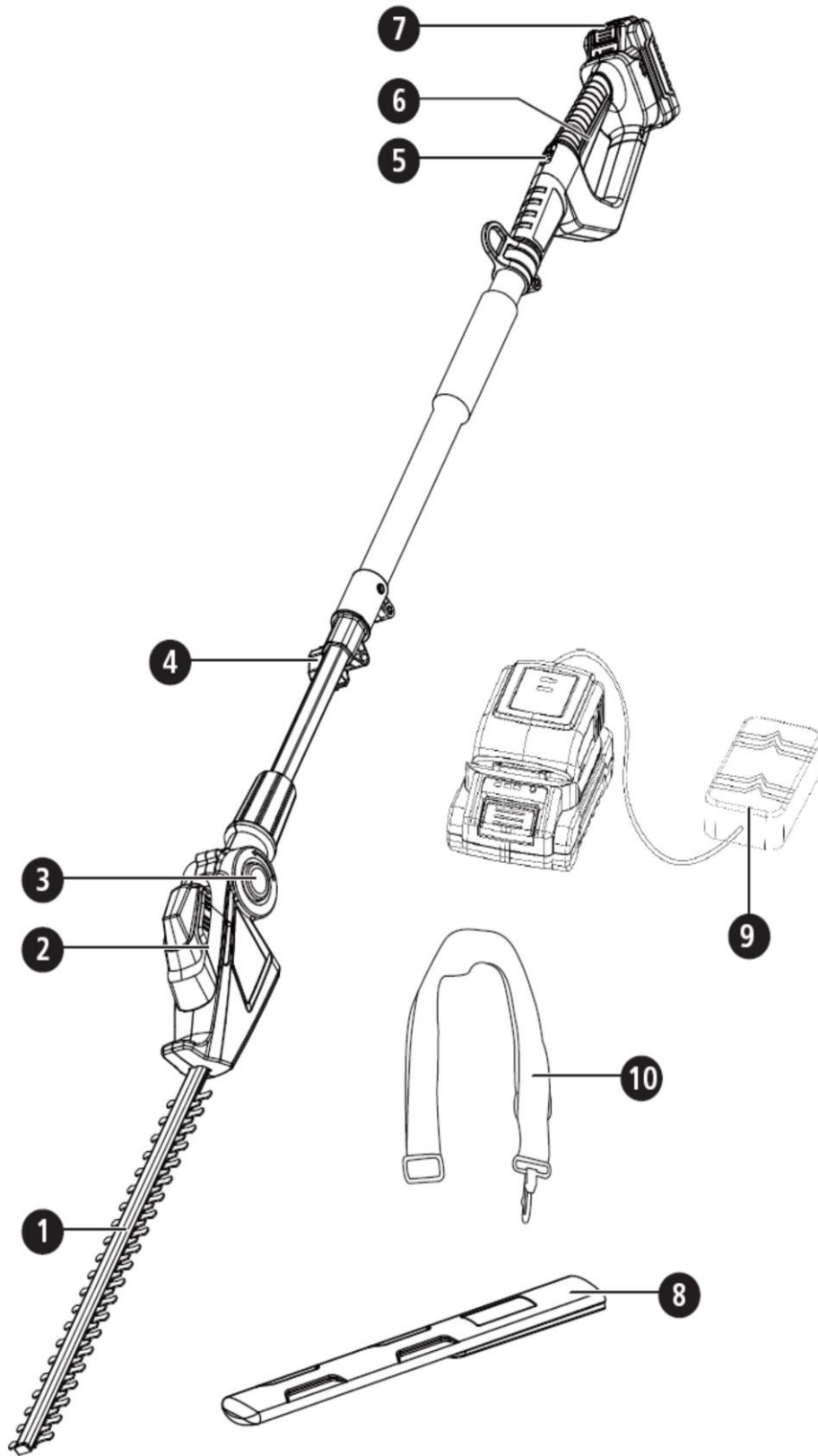
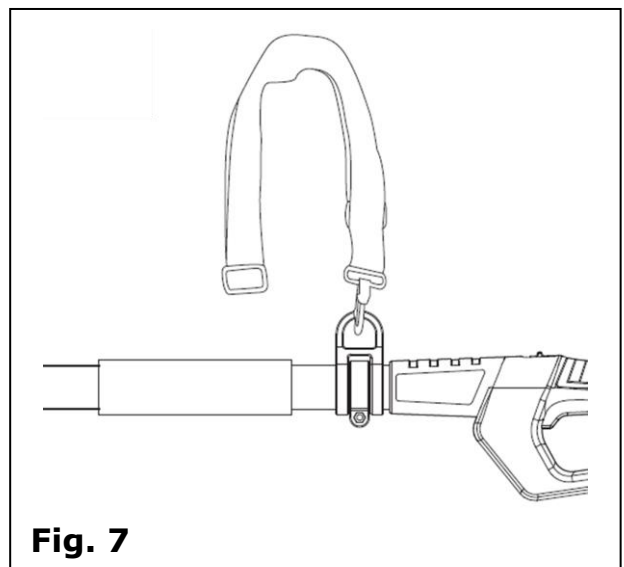
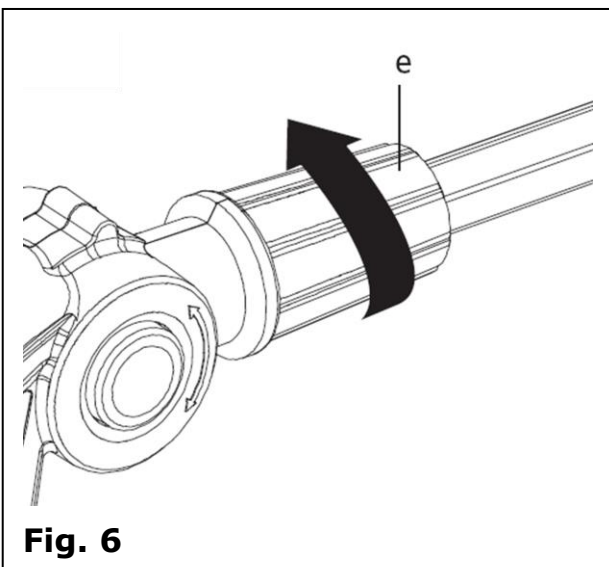
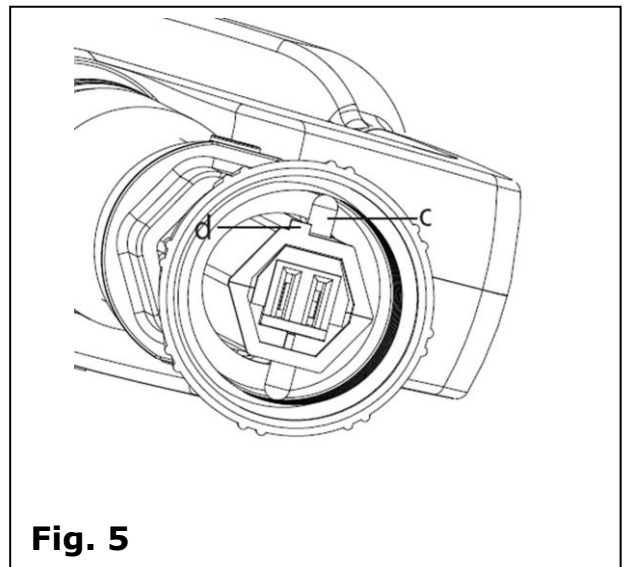
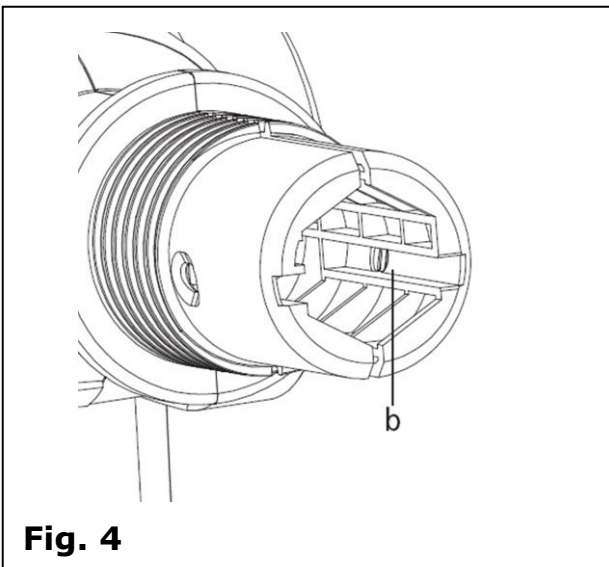
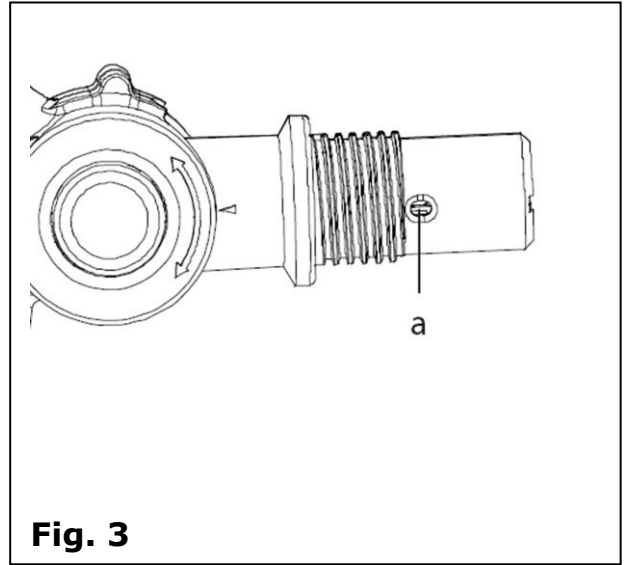
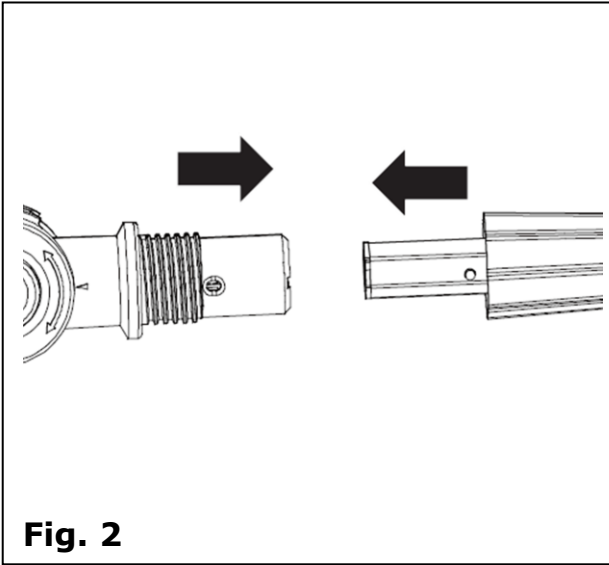
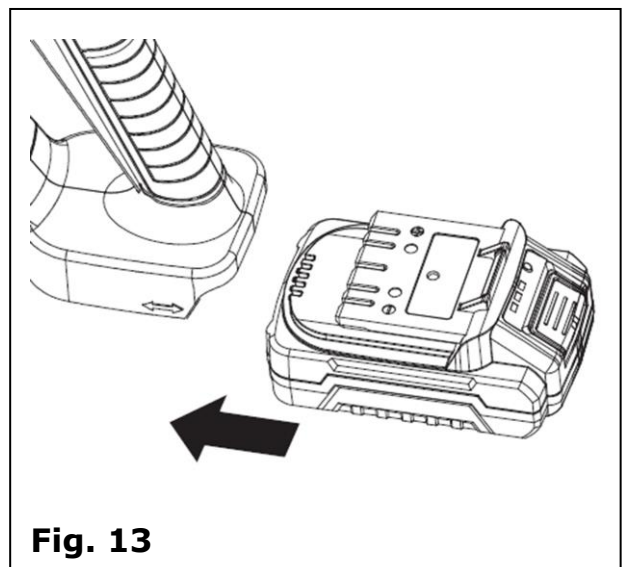
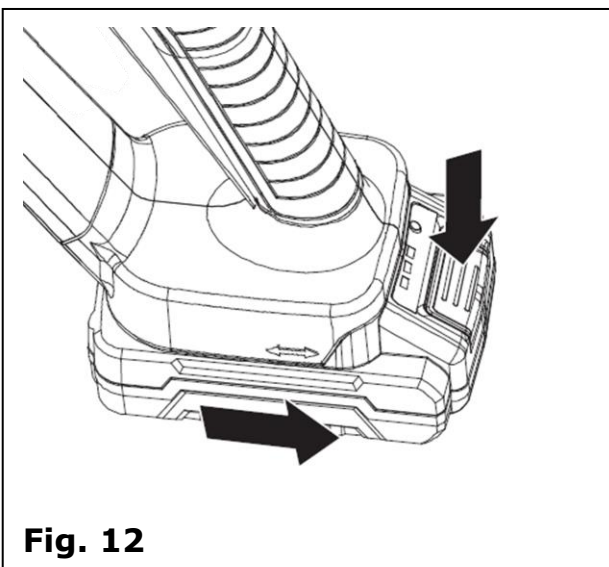
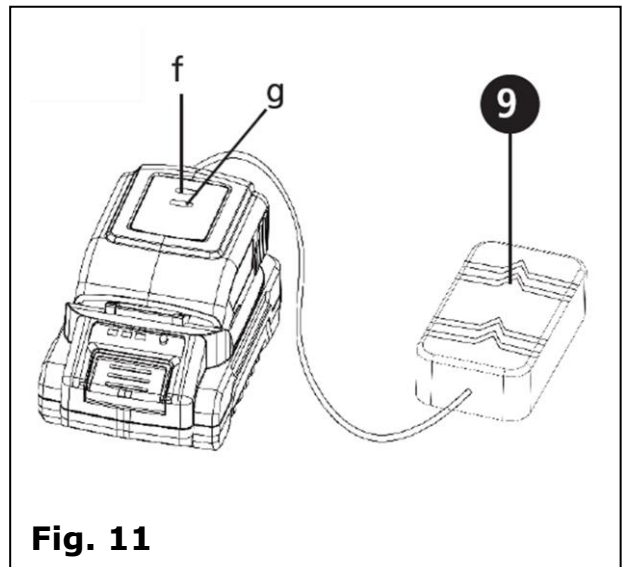
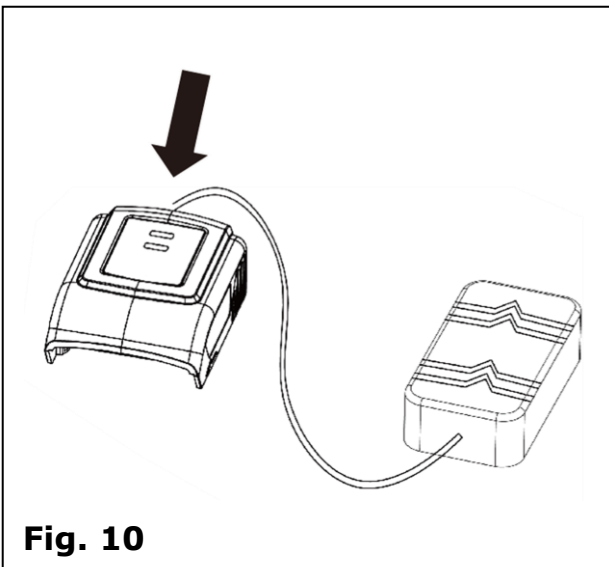
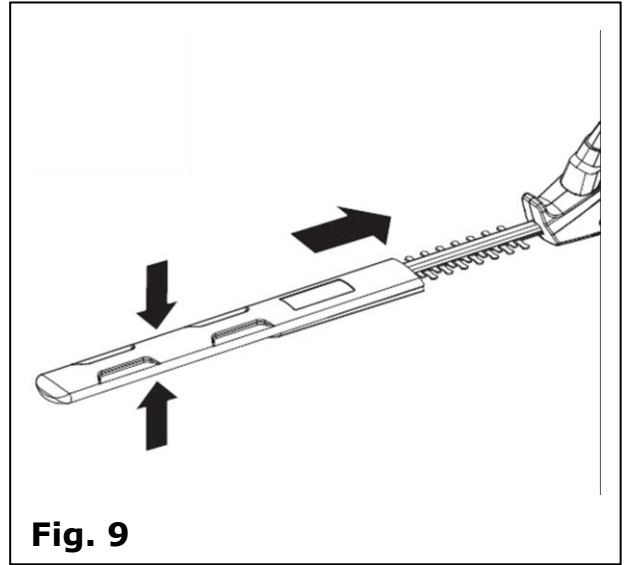
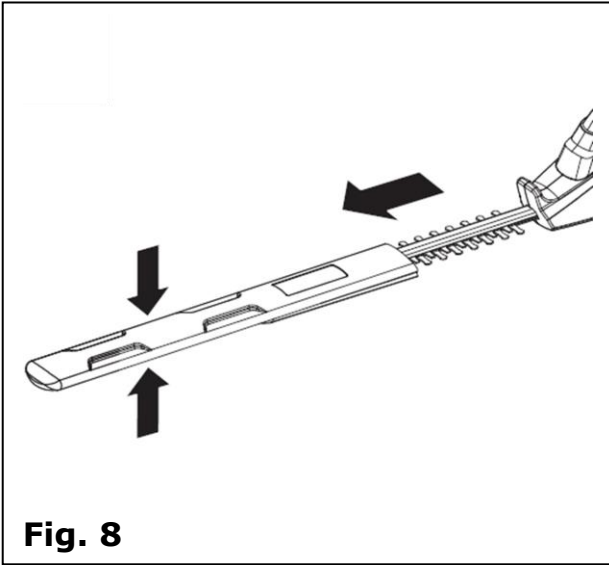
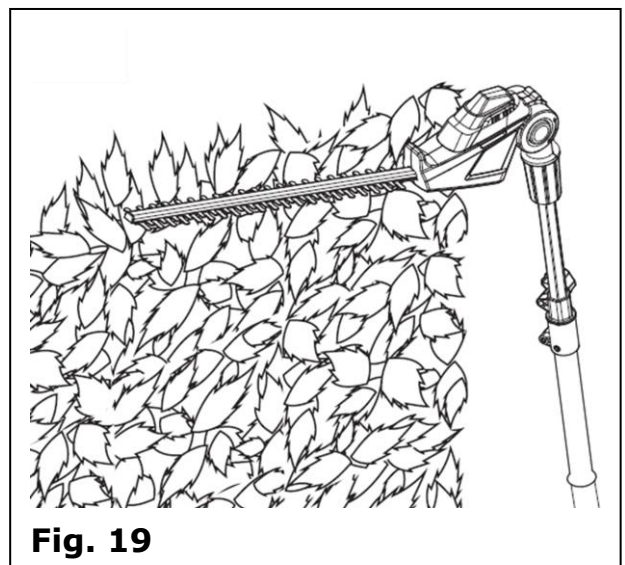
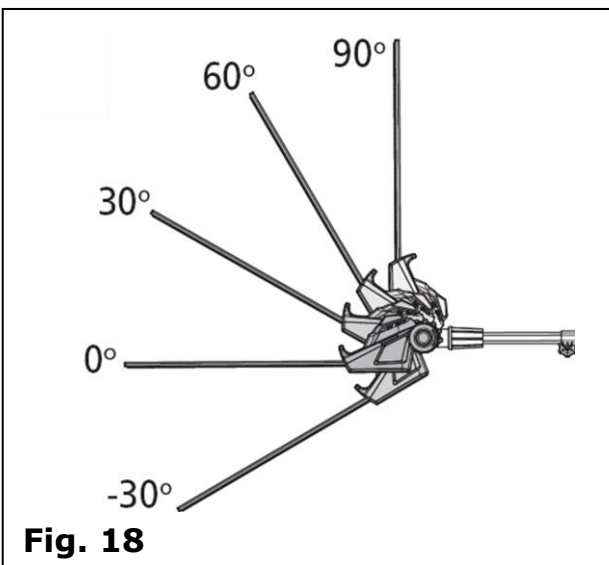
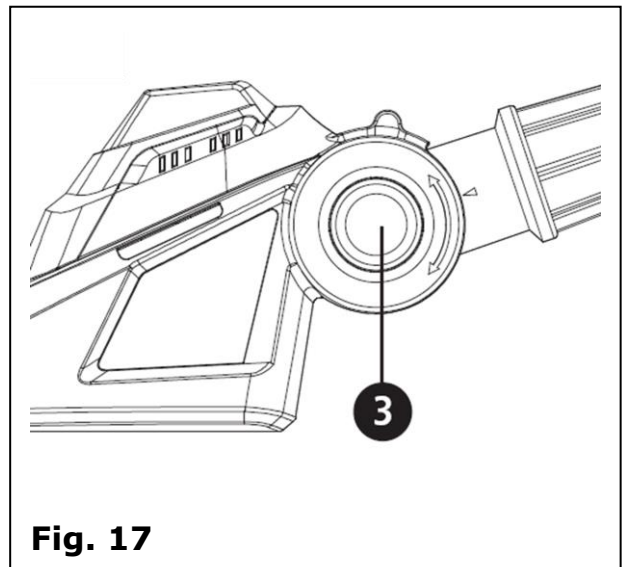
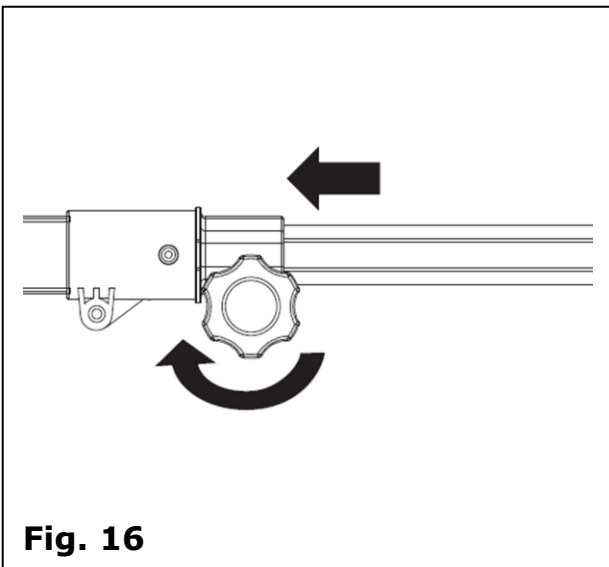
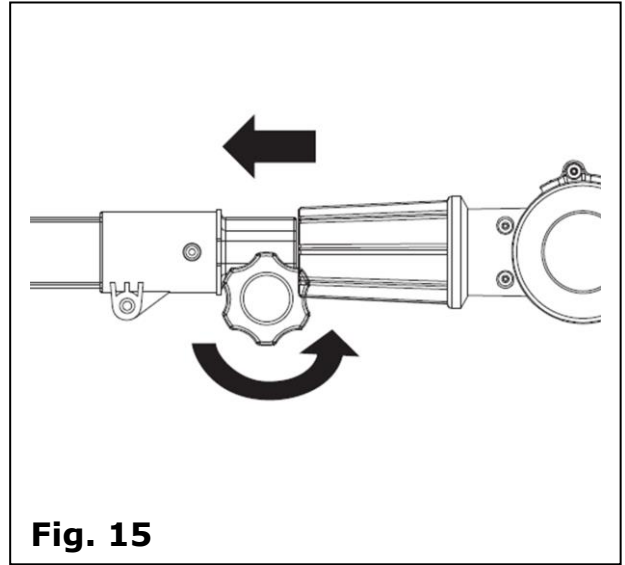
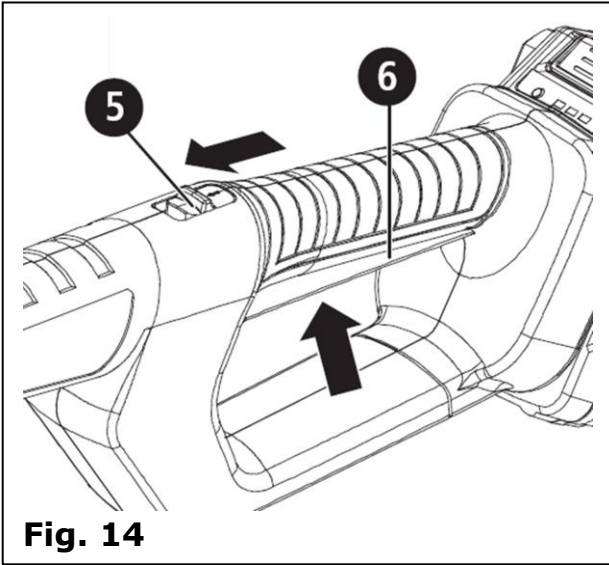
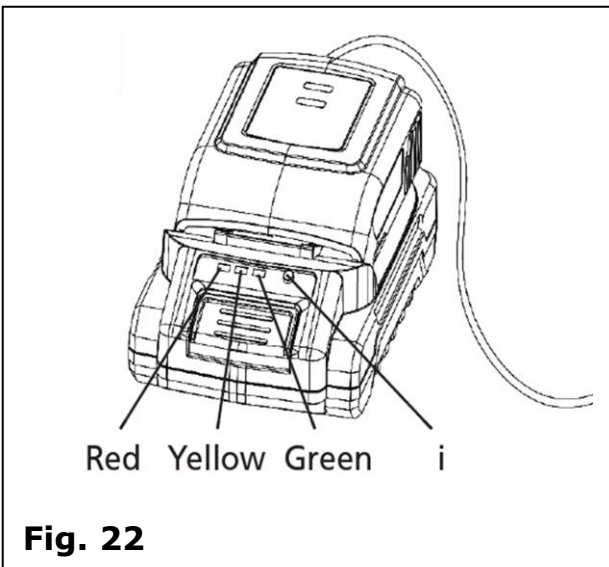
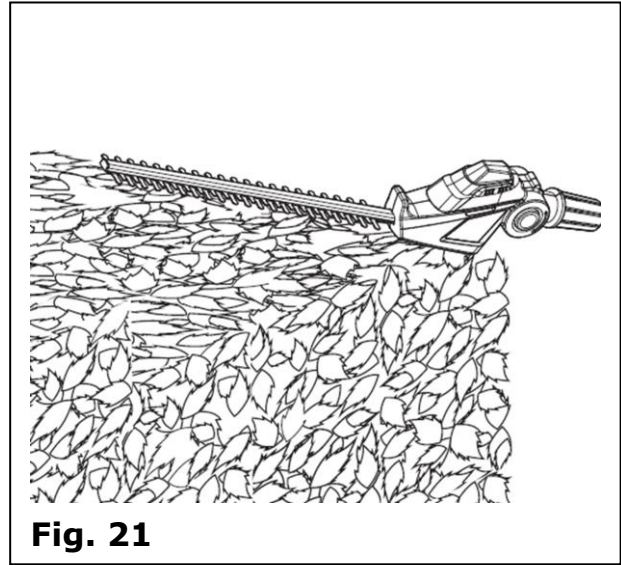
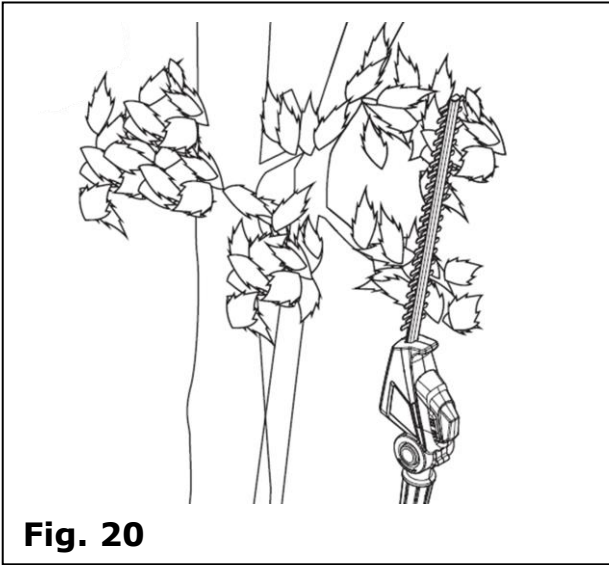


Fig. 1











18V Lithium Cordless Long Reach Hedge Trimmer GGPTBUN

Component List

1. Blade
2. Machine Head
3. Lock Button
4. Clamp Knob
5. Lock-Off Switch
6. On/Off Switch
7. Battery Pack
8. Blade Sheath
9. Charger
10. Shoulder Strap

TECHNICAL INFORMATION

18V Lithium Cordless Long Reach Hedge Trimmer

Model: GGPTBUN

Battery voltage: 18 V

Battery capacitor: 1500 mAh Lithium

No-load speed: 1100 rpm

Max Cutting Length: 450 mm

Max Cutting Diameter: 14 mm

Aluminum Pole Length: 1.8 m

Charging time: 1 hour

Weight N.W./G.W.: 3.5/ 4.0 kgs

Battery charger

Model: ZTTC20BC-3

Input: AC 100-240V / 50-60Hz 50W

Output: DC 21V / 1700 mA



Protection category II

Noise and vibration levels

Sound pressure level 82.8 dB(A);

Sound power level 97.0 dB(A)

Uncertainty K_{PA} : 3.0 dB(A) and K_{WA} : 3.0 dB(A)



18V Lithium Cordless Long Reach Hedge Trimmer GGPTBUN

Hearing protection is required for the user.

Vibration levels

Vibration for handle: $a_h = 2.382 \text{ m/s}^2$

Uncertainty $K = 1.5 \text{ m/s}^2$

The declared vibration total has been measured in accordance with a standard test method and may be used for comparing one tool with another. This total may also be used in a preliminary assessment of exposure.

The specified vibration value was established in accordance with a standardized testing method. It may change according to how the electric equipment is used and may exceed the specified value in exceptional circumstances.

The specified vibration value can be used to compare the equipment with other electric power tools.

The specified vibration value can be used for initial assessment of a harmful effect.

Keep the noise emissions and vibrations to a minimum.

- Only use appliances which are in perfect working order.
- Service and clean the appliance regularly.
- Adapt your working style to suit the appliance.
- Do not overload the appliance.
- Have the appliance serviced whenever necessary.
- Switch the appliance off when it is not in use.
- Wear protective gloves.



Read this entire manual before using this product. Failure to do so can result in serious injury. Save this manual for future reference.

Copyright© 2019 by FUTURA Direct Ltd. All rights reserved. This manual or any artwork contained herein must not be reproduced in any shape or form without the express written consent of FUTURA Direct Ltd.

Diagrams within this manual may not be drawn proportionally. Due to continuing improvements, actual product may differ slightly from the product described herein.

SAFETY INSTRUCTIONS

Read and Keep the Manual

Please read carefully all instructions within this manual. Failure to follow all safety warnings can result in serious personal injury. The term "Power Tool" in all of the following warnings refers to your mains operated (corded) or battery operated (cordless) power tool



18V Lithium Cordless Long Reach Hedge Trimmer GGPTBUN

1) Work area safety

- a) Keep work area clean and well lit. Cluttered or dark areas invite accidents.
- b) Do not operate power tools in explosive atmospheres, such as in the presence of flammable liquids, gases or dust. Power tools create sparks which may ignite the dust or fumes.
- c) Keep children and bystanders away while operating a power tool. Distractions can cause you to lose control.

2) Electrical safety

- a) Power tool plugs must match the outlet. Never modify the plug in any way. Do not use any adapter plugs with earthed (grounded) power tools. Unmodified plugs and matching outlets will reduce risk of electric shock.
- b) Avoid body contact with earthed or grounded surfaces, such as pipes, radiators, ranges and refrigerators. There is an increased risk of electric shock if your body is earthed or grounded.
- c) Do not expose power tools to rain or wet conditions. Water entering a power tool will increase the risk of electric shock.
- d) Do not abuse the power cord. Never use the cord for carrying, pulling or unplugging the power tool. Keep cord away from heat, oil, sharp edges or moving parts. Damaged or entangled cords increase the risk of electric shock.
- e) When operating a power tool outdoors, use an extension cord suitable for outdoor use. Use of a cord suitable for outdoor use reduces the risk of electric shock.
- f) If operating a power tool in a damp location is unavoidable, use a residual current device (RCD) protected supply. Use of an RCD reduces the risk of electric shock.

3) Personal safety

- a) Stay alert, watch what you are doing and use common sense when operating a power tool. Do not use a power tool while you are tired or under the influence of drugs, alcohol or medication. A moment of inattention while operating power tools may result in serious personal injury.
- b) Use personal protective equipment. Always wear eye protection. Protective equipment such as dust mask, non-skid safety shoes, hard hat, or hearing protection used for appropriate conditions will reduce personal injuries.
- c) Prevent unintentional starting. Ensure the switch is in the off-position before connecting to power source and/or battery pack, picking up or carrying the tool. Carrying power tools with your finger on the switch or energizing power tools that have the switch on invites accidents.
- d) Remove any adjusting key or wrench before turning the power tool on. A wrench or a key left attached to a rotating part of the power tool may result in personal injury.
- e) Do not overreach. Keep proper footing and balance at all times. This enables better



18V Lithium Cordless Long Reach Hedge Trimmer GGPTBUN

control of the power tool in unexpected situations.

f) Dress properly. Do not wear loose clothing or jewellery. Keep your hair, clothing and gloves away from moving parts. Loose clothes, jewellery or long hair can be caught in moving parts.

g) If devices are provided for the connection of dust extraction and collection facilities, ensure these are connected and properly used. Use of dust collection can reduce dust-related hazards.

4) Power tool use and care

a) Do not force the power tool. Use the correct power tool for your application. The correct power tool will do the job better and safer at the rate for which it was designed.

b) Do not use the power tool if the switch does not turn it on and off. Any power tool that cannot be controlled with the switch is dangerous and must be repaired.

c) Disconnect the plug from the power source and/or the battery pack from the power tool before making any adjustments, changing accessories, or storing power tools. Such preventive safety measures reduce the risk of starting the power tool accidentally.

d) Store idle power tools out of the reach of children and do not allow persons unfamiliar with the power tool or these instructions to operate the power tool. Power tools are dangerous in the hands of untrained users.

e) Maintain power tools. Check for misalignment or binding of moving parts, breakage of parts and any other condition that may affect the power tool's operation. If damaged, have the power tool repaired before use. Many accidents are caused by poorly maintained power tools.

f) Keep cutting tools sharp and clean. Properly maintained cutting tools with sharp cutting edges are less likely to bind and are easier to control.

g) Use the power tool, accessories and tool bits etc. in accordance with these instructions, taking into account the working conditions and the work to be performed. Use of the power tool for operations different from those intended could result in a hazardous situation.

5) Battery tool use and care

a) Recharge only with the charger specified by the manufacturer. A charger that is suitable for one type of battery pack may create a risk of fire when used with another battery pack.

b) Use power tools only with specifically designated battery packs. Use of any other battery packs may create a risk of injury and fire.

c) When battery pack is not in use, keep it away from other metal objects, like paper clips, coins, keys, nails, screws or other small metal objects, that can make a connection from one terminal to another. Shorting the battery terminals together may cause burns or a fire.

d) Under abusive conditions, liquid may be ejected from the battery; avoid contact. If contact accidentally occurs, flush with water. If liquid contacts eyes, additionally seek medical help. Liquid ejected from the battery may cause irritation or burns.



18V Lithium Cordless Long Reach Hedge Trimmer GGPTBUN

e) Keep cable away from cutting area. During operation the cable may be hidden in shrubs and can be accidentally cut by the blade.

6) Service

a) Have your power tool serviced by a qualified repair person using only identical replacement parts. This will ensure that the safety of the power tool is maintained.

Hedge Trimmer Safety Warnings

1. Keep all parts of the body away from the cutter blade. Do not remove cut material or hold material to be cut when blades are moving. Make sure the switch is off when clearing jammed material. A moment of inattention while operating the hedge trimmer may result in serious personal injury.

2. Carry the hedge trimmer by its handle and make sure the blades have stopped.

Always fit the protective cover when transporting the hedge trimmer or putting it into storage. Careful handling of the equipment reduces the likelihood of injury by the blades.

3. Hold the power tool by insulated gripping surfaces only, because the cutter blade may contact hidden wiring. Cutter blades contacting a "live" wire may make exposed metal parts of the power tool "live" and could give the operator an electric shock.

Additional safety instructions for hedge trimmers

1. Always remove batteries before you perform any work on the hedge trimmer, e.g.

- cleaning the blades

- troubleshooting

- cleaning and maintenance or before leaving the tool unattended.

2. The hedge trimmer can cause serious injuries! Read the directions for use carefully in order to acquaint yourself with

- the correct way to handle,

- set up,

- service,

- start and put down the machine.

Familiarize yourself with all the machine's control elements and its proper use.

3. Always handle the hedge trimmer with both hands.

4. When working with the hedge trimmer, wear sturdy shoes and make sure of your footing.

5. Never work with the hedge trimmer in the rain or on wet hedges and never leave the hedge trimmer outdoors. The hedge trimmer must not be used if it is wet.

6. We recommend that you wear safety goggles and ear protectors when working with the hedge trimmer.

7. Wear suitable working clothes such as rubber gloves and non-slip shoes. Do not wear loose garments. Keep long hair in a hairnet.



18V Lithium Cordless Long Reach Hedge Trimmer GGPTBUN

8. Avoid abnormal postures and make sure of your footing, particularly when working on ladders and steps.
9. Be sure to hold the hedge trimmer well away from your body when it is switched on.
10. Make sure there are no other persons or animals within your working area (radius of swing).
11. Carry the hedge trimmer only by its handle.
12. Examine the cutting system regularly for signs of damage and, if necessary, arrange for the hedge trimmer to be professionally repaired by a specialist workshop.
13. If the blades become jammed, e.g. due to thick branches or the like, switch off and remove the battery immediately. Only then are you to remove the cause of the obstruction.
14. Keep the hedge trimmer in a dry, safe place out of children's reach.
15. During transportation and storage of the hedge trimmer, keep the blades covered at all times with the special guard.
16. Take care not to overload the hedge trimmer and do not use it on jobs for which it is not intended, i.e. you are allowed to use the hedge trimmer only to cut hedges, shrubs and perennials.
17. The hedge trimmer requires regular inspection and maintenance. Always replace damaged blades in pairs. If the hedge trimmer suffers any damage from impact (falling on hard ground etc.), have it checked immediately by a specialist.
18. Look after your hedge trimmer carefully. Keep it clean and sharp to ensure efficient and safe cutting. Follow the maintenance and cleaning instructions.
19. The German Farmers Union, for example, prohibits the use of electric hedge trimmers by persons aged 17 or less. Persons aged 16 and above may only use electric hedge trimmers if supervised by an adult.
20. Do not use the hedge trimmer with a damaged or excessively worn cutting system.
21. Check your surroundings and take note of any potential dangers which you may not be able hear due to the machine's noise.
22. It is advisable not to use the hedge trimmer when other persons, and particularly children, are nearby.
23. Children are not allowed to use the hedge trimmer.
24. Noise at the workplace may exceed 85 dB(A). In this case, the operator must wear ear protectors or similar. The noise level of this electric tool is measured in accordance with EN 60745-1.
25. The vibrations in the handle are $< 2,5 \text{ m/s}^2$ and measured in accordance with EN60745-1.

Additional safety instructions

We pay a great deal of attention to the design of every battery pack to ensure that we supply you with batteries which feature maximum power density, durability and safety. The battery cells have a wide range of safety devices. Each individual cell is initially formatted and its electrical characteristic curves are recorded. These data are then used exclusively



18V Lithium Cordless Long Reach Hedge Trimmer GGPTBUN

to be able to assemble the best possible battery packs. Despite all the safety precautions, caution must always be exercised when handling batteries. The following points must be obeyed at all times to ensure safe use.

Safe use can only be guaranteed if undamaged cells are used. Incorrect handling can cause cell damage.

Important: Analyses confirm that incorrect use and poor care are the main causes of the damage caused by high performance batteries.

Information about the battery

1. The battery pack supplied with your cordless tool is not charged. The battery pack has to be charged before you use the tool for the first time.
2. For optimum battery performance avoid low discharge cycles. Charge the battery pack frequently.
3. Store the battery pack in a cool place, ideally at 15°C and charged to at least 40%.
4. Lithium-ion batteries are subject to a natural ageing process. The battery pack must be replaced at the latest when its capacity falls to just 80% of its capacity when new. Weakened cells in an aged battery pack are no longer capable of meeting the high power requirements and therefore pose a safety risk.
5. Do not throw battery packs into an open fire. There is a risk of explosion!
6. Do not ignite the battery pack or expose it to fire.
7. Do not exhaustively discharge batteries. Exhaustive discharge will damage the battery cells. The most common cause of exhaustive discharge is lengthy storage or non-use of partly discharged batteries. Stop working as soon as the performance of the battery falls noticeably or the electronic protection system triggers. Place the battery pack in storage only after it has been fully charged.
8. Protect batteries and the tool from overloads. Overloads will quickly result in overheating and cell damage inside the battery housing without this overheating actually being apparent externally.
9. Avoid damage and shocks. Replace batteries which have been dropped from a height of more than one meter or which have been exposed to violent shocks without delay, even if the housing of the battery pack appears to be undamaged. The battery cells inside the battery may have suffered serious damage.
In this respect, please also read the waste disposal information.
10. If the battery pack suffers overloading and overheating, the integrated protective cut-off will switch off the equipment for safety reasons. Important. Do not press the ON/OFF switch any more if the protective cut-off has actuated. This may damage the battery pack.
11. Use only original battery packs. The use of other batteries may result in injuries, explosion and a fire risk.















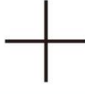








18V Lithium Cordless Long Reach Hedge Trimmer GGPTBUN

Information on chargers and the charging process

1. Please check the data marked on the rating plate of the battery charger. Be sure to connect the battery charger to a power supply with the voltage marked on the rating plate. Never connect it to a different mains voltage.
2. Protect the battery charger and its cable from damage and sharp edges. Have damaged cables repaired without delay by a qualified electrician.
3. Keep the battery charger, batteries and the cordless tool out of children's reach.
4. Do not use damaged battery chargers.
5. Do not use the supplied battery charger to charge other cordless tools.
6. In heavy use the battery pack will become warm. Allow the battery pack to cool to room temperature before commencing with the charging.
7. Do not over-charge batteries. Do not exceed the maximum charging times. These charging times only apply to discharged batteries. Frequent insertion of a charged or partly charged battery pack will result in over-charging and cell damage. Do not leave batteries in the charger for days on end.
8. Never use or charge batteries if you suspect that the last time they were charged was more than 12 months previously. There is a high probability that the battery pack has already suffered dangerous damage (exhaustive discharge).
9. Charging batteries at a temperature below 10°C will cause chemical damage to the cell and may cause a fire.
10. Do not use batteries which have heated during the charging process, as the battery cells may have suffered dangerous damage.
11. Do not use batteries which have suffered curvature or deformation during the charging process or which show other non-typical symptoms (gassing, hissing, cracking,)
12. Never fully discharge the battery pack (recommended depth of discharge max. 80%) A complete discharge of the battery pack will lead to premature ageing of the battery cells.
13. Never charge the batteries unsupervised.

Symbols

	Warning!		Do not expose to rain or water
	To reduce the risk of injury, user must read instruction manual		Do not burn
	Wear ear protection	 <p>Li-Ion battery. This product has been marked with a symbol relating to 'separate collection' for all battery packs. It will then be recycled or dismantled in order to reduce the impact on the environment. Battery packs can be hazardous for the environment and for human health since they contain hazardous substances.</p>	
	Wear eye protection		
	Wear dust mask		
	Do not expose to rain	 <p>Waste electrical products must not be disposed of with household waste. Please recycle where facilities exist. Check with your local authorities or retailer for recycling advice.</p>	
	Wear head protection		
	Protective footwear		For indoor use only
	Protective gloves		Positive terminal
	Keep hands away from blade		Negative terminal
	Keep bystanders away		Double insulation
	Keep sufficient distance away from electrical power lines		Fuse T 2A time lag fuse with rated current of 2A
			xINR18/65-y : Cylindrical lithium Ion battery cells with max diameter of 18mm and max height of 65mm; "x" represents a number cells serial connected, blank if 1; "-y" represents a number of cells paralleled connected, blank if 1.



18V Lithium Cordless Long Reach Hedge Trimmer GGPTBUN

Danger!

When using the equipment, a few safety precautions must be observed to avoid injuries and damage. Please read the complete operating instructions and safety regulations with due care.

Keep this manual in a safe place, so that the information is available at all times. If you give the equipment to any other person, hand over these operating instructions and safety regulations as well. We cannot accept any liability for damage or accidents which arise due to a failure to follow these instructions and the safety instructions.

Unpacking

Carefully remove the product and any accessories from the box. Make sure that all items listed in the packing list are included.

Packing list

- a) 1 hour quick Charger
- b) 2 x 1500mAh Battery pack
- c) Long Reach Hedge trimmer
- d) Shoulder Strap
- e) Blade Sheath
- f) Instruction manual

USING YOUR UNIT

NOTE: Before using the tool, read the instruction book carefully.

PROPER USE

Caution! This long reach hedge trimmer is suitable for cutting hedges, bushes and shrubs.

Caution! Do not use this equipment to cut grass.

The equipment is to be used only for its prescribed purpose. Any other use is deemed to be a case of misuse. The user / operator and not the manufacturer will be liable for any damage or injuries of any kind caused as a result of this.

Please note that our equipment has not been designed for use in commercial, trade or industrial applications. Our warranty will be voided if the machine is used in commercial, trade or industrial businesses or for equivalent purposes.

BEFORE STARTING THE EQUIPMENT



18V Lithium Cordless Long Reach Hedge Trimmer GGPTBUN

Caution! Do not fit the battery until the equipment has been fully assembled and all the settings have been actuated. Always wear protective gloves when working on the equipment to protect yourself against injury. Carefully unpack all parts and check that they are complete.

ASSEMBLING THE POLE (See Fig 2-6)

1. Align and insert machine head (2) into the rear shaft.

NOTE: The pin (c) of the rear shaft needs to be aligned to the hole (a) of the machine head (2). The lug (d) of the rear shaft needs to be aligned with the line (b) of the machine head (2).

2. Tighten the knob (e) of machine body (1) securely by turning clockwise and ensure the shaft locked firmly in place.

USING THE SHOULDER STRAP (See Fig 7)

Warning! Always use the shoulder strap when working with the equipment. Switch off the equipment before you take off the shoulder strap (risk of injury).

1. Hook the bracket of machine body located into the strap holder.
2. Slip the shoulder strap over your shoulder.

REMOVE AND INSTALL BLADE SHEATH

Remove blade sheath: Press the front of blade sheath together pull the blade sheath easily. (See Fig.8)

Install blade sheath: Press the front part of the blade sheath and push the blade sheath to the end completely. (See Fig.9)

CHARGING THE BATTERY PACK (See Fig 10, 11)



WARNING! The charger and battery pack are specially designed to work together so do not attempt to use any other devices.

Never insert or allow metallic objects into your charger or battery pack connections because of an electrical failure and hazard will occur.

NOTE:

- a) Do not use any charger other than that specifically provided for use with the equipment.
- b) If the battery pack is very hot you must remove your battery pack from the charger and allow time for the battery to cool down before recharging.
- c) The battery in your new tool is not charged when it leaves the production factory. Therefore it must be full charged before using for the first time.
- d) Please charge the battery to reach full or no less than half charge before storage. If the tool will not be used for long periods of time, charge the battery every 3-6 months.



18V Lithium Cordless Long Reach Hedge Trimmer GGPTBUN

CHARGING PROCEDURE

- 1). Connect the charger with the charger base firstly, and then plug the charger into an appropriate outlet. The light (f) will illuminate green.
- 2). Slide the battery pack into the charger, the light (f) will turn off at once, at the same time the light (g) will turn red to indicate the charging process has started.
- 3). When charging is completed, the light (g) will be off and the light (f) will turn to green. The battery pack is now fully charged, unplug the charger and remove the battery pack.



WARNING: When battery charge runs out after continuous use or exposure to direct sunlight or heat, allow time for the tool to cool down before re-charging to achieve the full charge.

To ensure that the battery pack provides long service, you should take care to recharge it promptly.

You must recharge the battery pack when you notice that the power of the cordless equipment drops. Never fully discharge the battery pack. This will cause it to develop a defect.

CHARGING INDICATOR

Light	Status
Red on	Charging
Green on	Fully Charged

TO REMOVE OR INSTALL BATTERY PACK (See Fig. 12, 13)

Depress the battery pack release button (c) to release battery pack from your trimmer (Fig.12).

After recharging, insert the battery pack into trimmer's battery port (Fig.13).

Note: When removing the battery pack, hold it firmly to avoid potential accidents.

TO START OR STOP YOUR HEDGE TRIMMER (See Fig 14)

Your trimmer is equipped with a lock-off switch (5), Push the Lock-off button (5) forward; at the same time, Press the on/off switch (6) to start you trimmer.

Release the on/off switch (6) to stop your trimmer.

ADJUSTING THE POLE LENGTH (See Fig 15, 16)

To extend the pole, loosen the clamp knob (4) of the shaft by turning anti-clockwise. Then the pole will slide freely.

To lock the pole to the required length, tighten the clamp knob (4) of the shaft by turning clockwise.



18V Lithium Cordless Long Reach Hedge Trimmer GGPTBUN

ADJUSTING THE MACHINE HEAD TO THE REQUIRED ANGLE (See Fig 17, 18)

Push the lock button (3) of the machine head and then rotate the machine head (2) to the desired position.

Release the lock button (3) again and check whether the button is locked in place.

NOTE: The Machine head can be locked on 5 positions. (-30°, 0°, 30°, 60°, 90°)

OPERATING THE LONG REACH HEDGE TRIMMER (See Fig 19, 20, 21)

Caution! Always use the shoulder strap when working with the equipment. Always switch off the equipment before you take off the shoulder strap. Otherwise there is a risk of injury.

Always hold the trimmer with both hands and with the blade away from you before turning it on.

When trimming new growth, use a wide sweeping action so that the stems are fed directly into the blade.

Allow the cutting blades to reach full speed before cutting. When operating, keep the cutting blades away from people and objects such as walls, large stones, vehicles, etc.

If the blade stalls, immediately stop the trimmer. Release the switch and remove the battery before attempting to clear jammed debris from the cutting blades.

Do not attempt to cut stems that are too thick for the cutting blade.

BATTERY INDICATORS (See Fig 22)

NOTE: THE INDICATORS GIVE A GENERAL PICTURE OF THE BATTERY'S ACTUAL CHARGE STATUS. THE PERCENTAGES SHOWN BELOW SHOULD THEREFORE BE CONSIDERED AS APPROXIMATE INDICATORS. THE READINGS FROM THE TWO DIFFERENT INDICATORS CAN DIFFER SOMEWHAT FROM EACH OTHER.

One battery indicator is found on the battery.

Press the button (i) on the side of the battery indicator to display the current battery status.

At 70-100% power, all three LED Lights (red/ yellow/green) will be on.

At 40-70% power, the green LED light is off, two LED Lights (red/yellow) will be on.

Lower than 40 % power, only the red LED will be on. Then the battery needs be charged.

MAINTENANCE

Danger! Remove the battery pack before doing any cleaning and maintenance work.

Cleaning

18V Lithium Cordless Long Reach Hedge Trimmer GGPTBUN

1. Regularly clean the cutting mechanism by blowing it out with compressed air or cleaning it with a brush. Do not use tools for cleaning.
2. Keep the handles free of grease so that you can maintain a firm grip.
3. Clean the equipment as required with a damp cloth and, if necessary mild washing up liquid can be used.
4. Never immerse the equipment in water or other liquids in order to clean it.
5. Use a brush to remove deposits from the safety guards.
6. Keep all safety devices, air vents and the motor housing free of dirt and dust as far as possible. Wipe the equipment with a clean cloth or blow it with compressed air at low pressure.
7. We recommend that you clean the device immediately each time you have finished using it.
8. Clean the equipment regularly with a moist cloth and some soft soap. Do not use cleaning agents or solvents; these could attack the plastic parts of the equipment. Ensure that no water can seep into the device. The ingress of water into an electric tool increases the risk of an electric shock.

Maintenance

The cutters should be cleaned and lubricated at regular intervals in order to ensure best performance at all times. Remove deposits with a brush and apply a thin film of oil.

Storage

Store the equipment and accessories in a dark and dry place at above freezing temperature. The ideal storage temperature is between 5 and 30 °C. Store the electric tool in its original packaging.

Disposal

Household Appliances, accessories and packaging should be sorted for environmentally-friendly recycling.

Only for EC countries:



Do not dispose of appliances into household waste!

According to the European Directive 2002/96/EC on waste electrical and electronic equipment and its incorporation into national right, products that are no longer suitable for use must be separately collected and sent for recovery in an environmentally-friendly manner.

DECLARATION OF CONFORMITY

The declaration is to certify that it conforms to CE, EMC, MD, Noise Emission and RoHS directives:

EN55014-1: 2006 + A1 + A2

EN55014-2: 2015

All provisions of Annex 1 of Council Directive 2014/30/EU – EMC directive

EN ISO 12100: 2010

EN 60745-1: 2009 + A11

EN ISO 11680-1: 2011

All provisions of Annex 1 of Council Directive 2000/14/EC amended by 2005/88/EC – Noise Emission directive

06/42/EC - Annex I/05.2006

EN 60745-2-15:2009+A1

EN 60745-1:2009+A11

All provisions of Annex 1 of Council Directive 2006/42/EC – the Machinery Directive

RoHS 2011/65/EU



Mr. Paul Kaye, UK QA Manager

Please read the following carefully

FUTURA Direct Ltd. and/or its distributor have provided the parts list and assembly diagram as a reference

tool only.

Neither FUTURA Direct Ltd. or its distributor makes any representation or warranty of any kind to the buyer that he or she is qualified to do any repairs or replace any parts of this product. FUTURA Direct Ltd. and its distributor expressly state that all repairs or parts replacement should be done by certified or licensed technicians. The buyer assumes all risk and liability arising out of his or her repairs or parts replacement to the original product.

24 MONTHS LIMITED WARRANTY

If within 24 months from the date of purchase you experience any problems with your product, please return the product to its distributor/dealer for repair or replacement. This warranty DOES NOT COVER normal wear, or any damage as a result of accidents, misuse, abuse or negligence.

[www.futura direct.co.uk](http://www.futura-direct.co.uk)

We FUTURA Direct Ltd, England DN6 7AY declare that the 18V Lithium cordless Long Reach Hedge Trimmer is exclusively manufactured for FUTURA Direct Ltd and has been manufactured according to our fully quality assurance procedures.