

# TERRATEK

## **550W Jigsaw**

**TJS550**

**User Manual**

Please read and  
retain for future  
reference



[www.futura direct.co.uk](http://www.futura-direct.co.uk)

Search for  
*futura* *direct*

on You 

For in-depth  
user guides &  
tutorials

Follow Us @:





## 550W Jigsaw TJS550

Thank you for purchasing our 550W Jigsaw which has been designed to give many years of service under normal use. In order to get the most from your 550W Jigsaw please carefully read and follow the instruction provided.

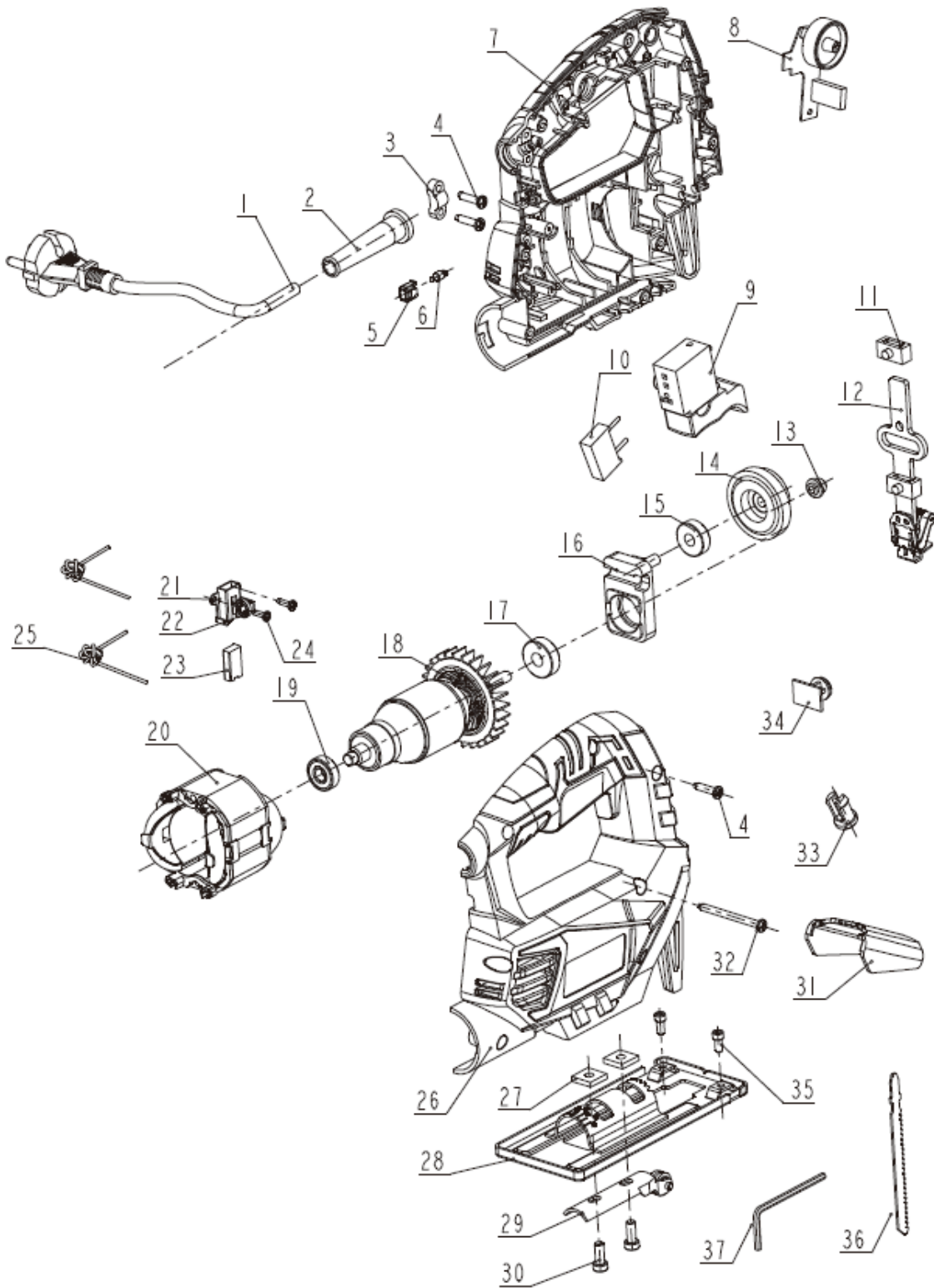
## CONTENTS

**Parts List**  
**Technical Information**  
**Safety Instructions**  
**Using your Unit**  
**Care and Maintenance**  
**Warranty**

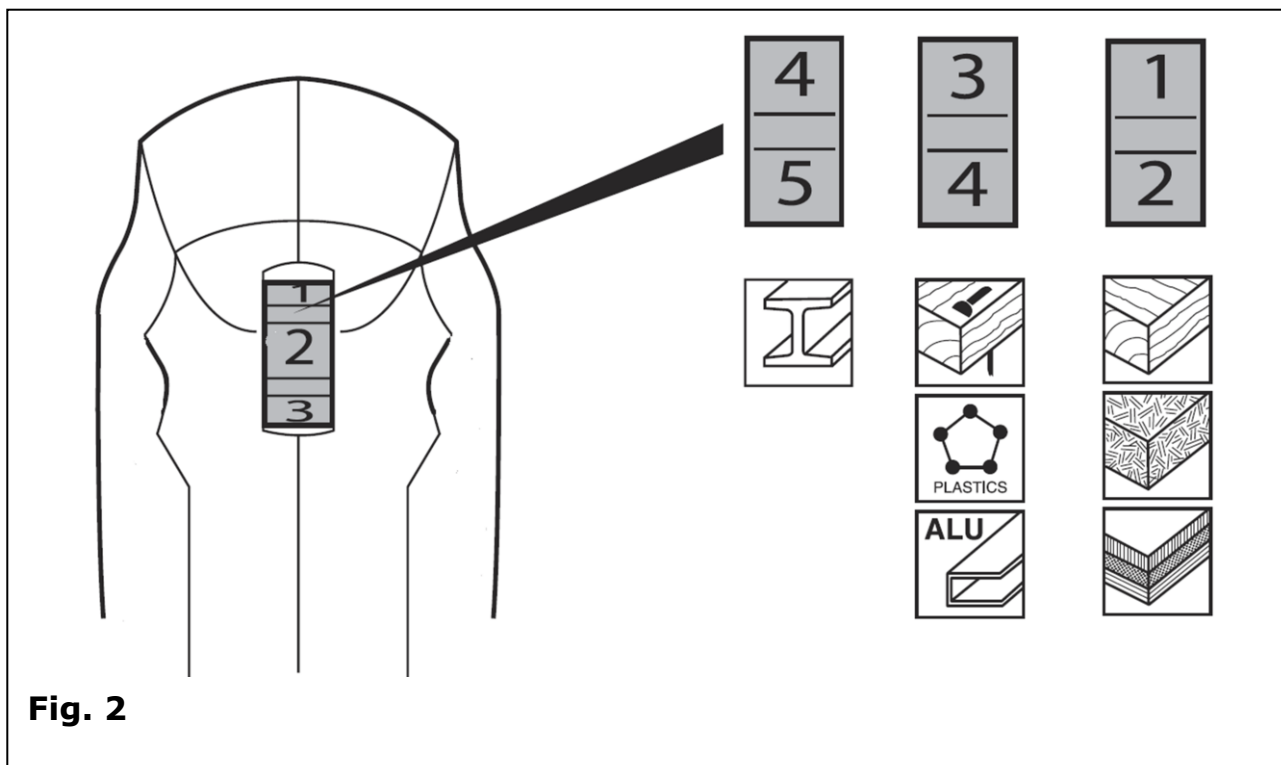
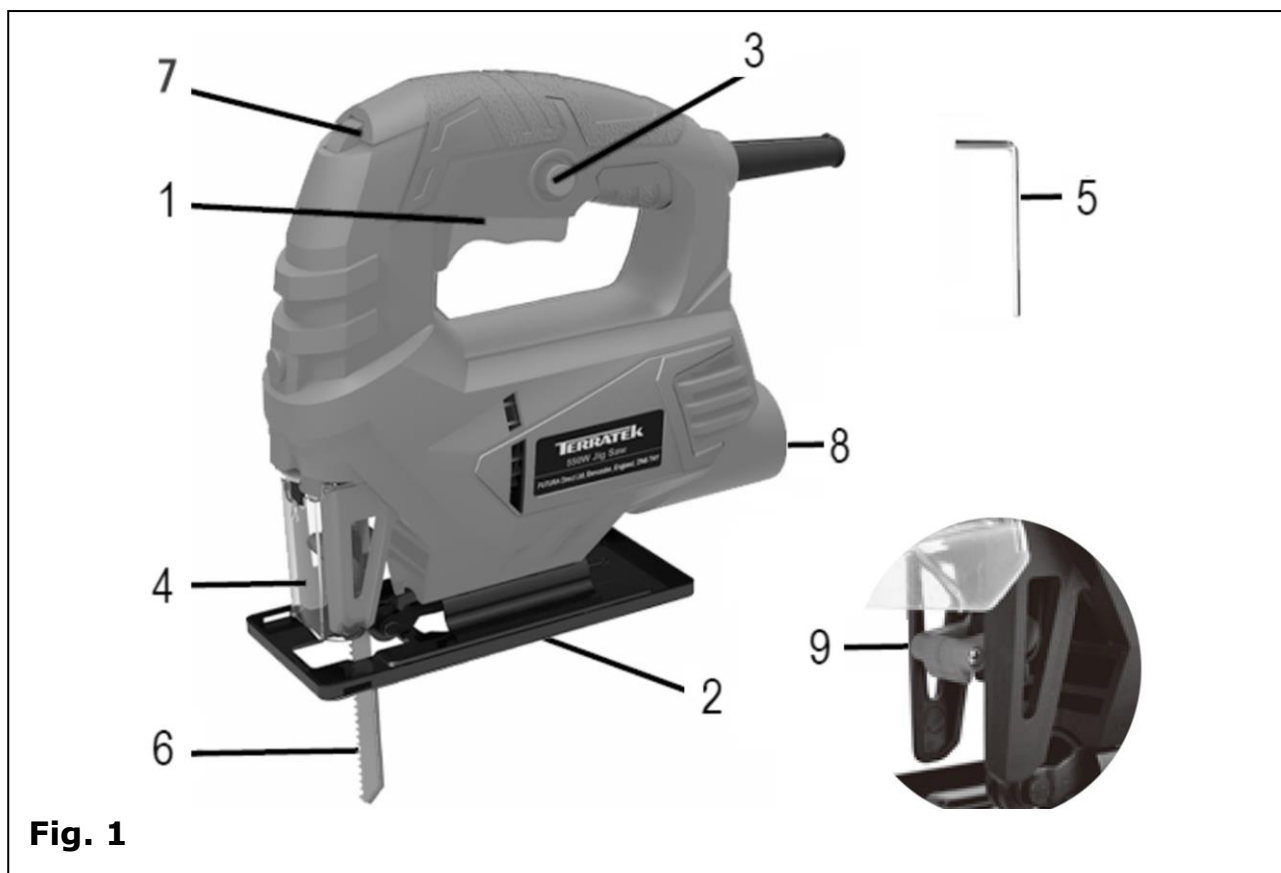
## PART LIST

No.	Description	No.	Description	No.	Description
1	Cable	14	Big Gear	27	Square Nut
2	Cable Jacket	15	Bearing	28	Floor
3	Cable Clamp	16	Support	29	Guide Wheel Frame
4	Self-tapping Screw	17	Bearing	30	Screw
5	Power Indicator	18	Rotor	31	Transparent Cover
6	Indicator Cover	19	Bearing	32	Screw
7	Left Case	20	Stator	33	Cover
8	Jig Saw Speed Governor	21	Carbon Brush Holder	34	Cover
9	Jig Saw Switch	22	Coil Spring	35	Screw
10	Capacitance	23	Carbon Brush	36	Saw Blade
11	Flat Slider	24	Screw	37	Allen Wrench
12	Reciprocating Rod	25	Round Inductor		
13	Small Pulley	26	Right Case		

### Exploded Assembly Diagram



Notice: Actual product may vary from pictures shown.



### OVERVIEW: (Fig. 1)

1. On/Off Switch
2. Base Plate
3. Locking Button
4. Protection Guide
5. Allen Key
6. Blade
7. Variable Speed Switch
8. Dust Suction Tube
9. Blade Release Trigger

## TECHNICAL INFORMATION

### 550W Jigsaw

#### Model: TJS550

Voltage: 220-240V~ 50Hz

Power Consumption: 550W

Rated Speed: 0 - 3000 /min

Max. Cutting Depth:

Steel: 8 mm

Aluminum: 20 mm

Wood: 65 mm

Max. Cutting Angle: 45°

Protection Class: II/ 

### Noise/Vibration Information

Sound and vibration values were measured in accordance with EN 62841.

$L_{pA}$  sound pressure level 87.5 dB(A)

$K_{pA}$  uncertainty 3 dB

$L_{WA}$  sound power level 98.5 dB(A)

$K_{WA}$  uncertainty 3 dB

### Wear ear-muffs

The impact of noise can cause damage to hearing. Total vibration values (vector sum of three directions) determined in accordance with EN 62841.

### Cutting Board

Vibration emission value  $a_{h,B} = 9.424 \text{ m/s}^2$

K uncertainty = 1.5  $\text{m/s}^2$

### Cutting sheet metal

Vibration emission value  $a_{h,M} = 12.086 \text{ m/s}^2$

K uncertainty = 1.5  $\text{m/s}^2$

**Wear hearing protection!**

Vibration total values (triax vector sum) determined according to EN 62841:

The vibration emission level given in this information sheet has been measured in accordance with a standardized test given in EN 62841 and may be used to compare one tool with another.

It may be used for a preliminary assessment of exposure.

The declared vibration emission level represents the main applications of the tool. However if the tool is used for different applications, with different accessories or poorly maintained, the vibration emission may differ. This may significantly increase the exposure level over the total working period.

An estimation of the level of exposure to vibration should also take into account the times when the tool is switched off or when it is running but not actually doing the job. This may significantly reduce the exposure level over the total working period.

Identify additional safety measures to protect the operator from the effects of vibration such as: maintain the tool and the accessories, keep the hands warm, organization of work patterns.

## **SAFETY INSTRUCTIONS**

**WARNING:** Read all safety warnings and all instructions. Failure to follow the warnings and instructions may result in electric shock, fire and/or serious injury.

**Save all warnings and instructions for future reference.**

The term “power tool” in the warnings refers to your mains-operated (corded) power tool or battery-operated (cordless) power tool.

### **1) Work area safety**

- a) Keep work area clean and well lit. Cluttered or dark areas invite accidents.
- b) Do not operate power tools in explosive atmospheres, such as in the presence of flammable liquids, gases or dust. Power tools create sparks which may ignite the dust or fumes.
- c) Keep children and bystanders away while operating a power tool. Distractions can cause you to lose control.

### **2) Electrical safety**

- a) Power tool plugs must match the outlet. Never modify the plug in any way. Do not use

any adapter plugs with earthed (grounded) power tools. Unmodified plugs and matching outlets will reduce risk of electric shock.

b) Avoid body contact with earthed or grounded surfaces, such as pipes, radiators, ranges and refrigerators. There is an increased risk of electric shock if your body is earthed or grounded.

c) Do not expose power tools to rain or wet conditions. Water entering a power tool will increase the risk of electric shock.

d) Do not abuse the cord. Never use the cord for carrying, pulling or unplugging the power tool. Keep cord away from heat, oil, sharp edges or moving parts. Damaged or entangled cords increase the risk of electric shock.

e) When operating a power tool outdoors, use an extension cord suitable for outdoor use. Use of a cord suitable for outdoor use reduces the risk of electric shock.

f) If operating a power tool in a damp location is unavoidable, use a residual current device (RCD) protected supply. Use of an RCD reduces the risk of electric shock.

### **3) Personal safety**

a) Stay alert, watch what you are doing and use common sense when operating a power tool. Do not use a power tool while you are tired or under the influence of drugs, alcohol or medication. A moment of inattention while operating power tools may result in serious personal injury.

b) Use personal protective equipment. Always wear eye protection. Protective equipment such as dust mask, non-skid safety shoes, hard hat, or hearing protection used for appropriate conditions will reduce personal injuries.

c) Prevent unintentional starting. Ensure the switch is in the off-position before connecting to power source and/or battery pack, picking up or carrying the tool. Carrying power tools with your finger on the switch or energizing power tools that have the switch on invites accidents.

d) Remove any adjusting key or wrench before turning the power tool on. A wrench or a key left attached to a rotating part of the power tool may result in personal injury.

e) Do not overreach. Keep proper footing and balance at all times. This enables better control of the power tool in unexpected situations.

f) Dress properly. Do not wear loose clothing or jewellery. Keep your hair, clothing and gloves away from moving parts. Loose clothes, jewellery or long hair can be caught in moving parts.

g) If devices are provided for the connection of dust extraction and collection facilities, ensure these are connected and properly used. Use of dust collection can reduce dust-related hazards.

### **4) Power tool use and care**

a) Do not force the power tool. Use the correct power tool for your application. The correct power tool will do the job better and safer at the rate for which it was designed.

- b) Do not use the power tool if the switch does not turn it on and off. Any power tool that cannot be controlled with the switch is dangerous and must be repaired.
- c) Disconnect the plug from the power source and/or the battery pack from the power tool before making any adjustments, changing accessories, or storing power tools. Such preventive safety measures reduce the risk of starting the power tool accidentally.
- d) Store idle power tools out of the reach of children and do not allow persons unfamiliar with the power tool or these instructions to operate the power tool. Power tools are dangerous in the hands of untrained users.
- e) Maintain power tools. Check for misalignment or binding of moving parts, breakage of parts and any other condition that may affect the power tool's operation. If damaged, have the power tool repaired before use. Many accidents are caused by poorly maintained power tools.
- f) Keep cutting tools sharp and clean. Properly maintained cutting tools with sharp cutting edges are less likely to bind and are easier to control.
- g) Use the power tool, accessories and tool bits etc. in accordance with these instructions, taking into account the working conditions and the work to be performed. Use of the power tool for operations different from those intended could result in a hazardous situation.

### 5) Service

- a) **Have your power tool serviced by qualified repair person using only identical replacement parts.** *This will ensure that the safety of the power tool is maintained.*

### SPECIAL SAFETY INSTRUCTIONS

Hold power tool by insulated gripping surfaces, when performing an operation where the cutting accessory may contact hidden wiring or its own cord.

Cutting accessory contacting a "live" wire may make exposed metal parts of the power tool "live" and could give the operator an electric shock.



#### **WARNING!**

Some dust created by power sanding, sawing, grinding, drilling, and other construction activities contains chemicals known to cause cancer, birth defects or other reproductive harm. Some examples of these chemicals are:

- lead from lead-based paints,
- crystalline silica from bricks and cement and other masonry products, and
- arsenic and chromium from chemically-treated lumber.

Your risk from these exposures varies, depending on how often you do this type of work. To reduce your exposure to these chemicals: work in a well ventilated area, and work with approved safety equipment, such as those dust masks that are specially designed to filter out microscopic particles.

### SYMBOLS

The use of symbols in this manual are intended to draw your attention to possible risks. The safety symbols and the explanations that accompany them must be perfectly understood. The warnings in themselves do not remove the risks and cannot replace correct actions for preventing accidents.



This symbol, marking a point of safety, indicates a caution, warning or danger. Ignoring this warning can result in an accident to yourself or others. To limit the risks of injury, fire or electrocution, always follow the recommendations indicated.



**WARNING** – To reduce the risk of injury, user must read instruction manual  
Before any use, refer to the corresponding section in this user manual.



Class II symbol: This machine is designed with double insulation. It is not necessary to connect it to an earthed power socket.



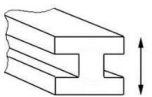
Comply with the relevant European regulations.



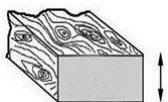
**WARNING** Always wear eye protection, ear protection, dust mask and gloves when using the product.



The crossed-out wheeled bin symbol indicates that the item should be disposed of separately from household waste. The item should be handed in for recycling in accordance with local environmental regulations for waste disposal. By separating a marked item from household waste, you will help reduce the volume of waste sent to incinerators or land-fill and minimize any potential negative impact on human health and the environment.



This symbol indicates the maximum cutting depth in the Steel (8mm). For your security, this value must not be exceeded. This maximum value may be reduced depending on the type of steel.



This symbol indicates the maximum cutting depth in the wood (65 mm). For your security, this value must not be exceeded. This maximum value may be reduced depending on the density of wood.

### Unpacking

Carefully remove the product and any accessories from the box. Make sure that all items listed in the packing list are included.

### Packing list

- a) 550W Jigsaw
- b) Instruction manual
- c) 5 pieces saw blades (3 pieces for wood, 1 pieces for PVC/Wood and 1 pieces for metal)

## USING YOUR UNIT

**NOTE: Before using the tool, read the instruction book carefully.**

### Before use

Before assembly, changing and adjustment for any accessory, disconnect the tool from the mains supply to avoid any unintentional starting.

Please always check the mains supply voltage before use! It must correspond with the rating label on the appliance.

Remove any packing material and loose parts from unit.

Check the accessories are present before use.

### Inserting Blade

The jig saw has a blade holder fit with blade clamp device, make sure that the blade is not skew when it is inserted and tightened.

Open the protection guide.

Pull down the trigger and insert blade into the slot, then push up the trigger to lock the blade.

To remove the blade, please pull down the trigger and remove the blade.

### WARNING



When removing the blade, it may jump away from holder. Please always hold the tip of blade and keep it away from face.

### On/Off Switch

Use the On/Off switch to start the machine and keep holding it for continuous operation.

To switch the machine off, release the On/Off switch.

Before the machine reaches the working piece, always switch it on.

Before switching off the machine, keep the machine away from the work piece.

Before putting the jig saw down, please make sure it has been stopped completely.

While working, please always hold the machine tightly on the hand grip area firmly.

### Caution!

Never stop the blade by exerting pressure on the side of the blade.

If the machine is to be operated with vacuum cleaner, please turn on the vacuum cleaner first before use.

### Locking Button

The locking button can hold the switch on position for continuous sawing.

Please follow below steps:

To lock the on/off switch, turn on the on/off switch and press the locking button, release the trigger.

The jig saw will continue to operate until the locking button is released.

To release the on/off switch, just press it again and then release it to stop.

### Maximum speed control knob (Fig. 2)

The maximum speed control knob can adjust the running speed from low to high. The higher number means the higher speed.

Please follow below steps:

1. Switch on the tool
2. Lock the switch
3. Turn the knob up or down to increase or reduce the maximum speed.

For correct speed selection for this machine, please follow below instruction:

Channels 1 to 2 are selected for soft wood.

Channels 3 to 4 are selected for hard wood, plastic and aluminum material.

Channels 4 to 5 are selected for metal.

### Adjusting the base plate

The base plate can be adjusted in positions:  $0^\circ$ ,  $\pm 30^\circ$  and  $\pm 45^\circ$ .

- Use the Allen key to loosen the two screws underneath the base plate.
- Pull away the base plate from the angle slot, and adjust it to the desired angle.
- Adjust the base plate to the angle slot and then re-tighten the screws.

Make a trial cut to check whether the blade is positioned at the desired angle.

### Caution!

An unstable base plate could cause a serious injury. Please always check it after each adjustment!

### Dust suction

The dust can be collected from the dust suction tube connected to a vacuum cleaner during use.

To connect the vacuum cleaner, please follow below steps:

- Connect the dust suction tube to the base plate.
- Remove the accessories on soft tube of vacuum cleaner.
- Connect the soft tube to the dust suction tube directly.

### WARNING



When sawing metal, sparks are generated; do not use vacuum cleaner and keep other persons and combustible materials away from work area.

## CARE AND MAINTENANCE

Keep the ventilation openings clear and clean the product regularly.

If something unusual occurs during use, switch off the supply and disconnect the plug. Inspect and repair the tool before using it again.

**Repair of the tool must only be carried out by a qualified repair technician.**

Repair or maintenance by unqualified personnel can lead to a risk of injury.

**Use only identical spare parts for repairing a tool. Follow the instructions in the maintenance section of this user manual.**

### Caution!

If the replacement of the supply cord is necessary, this has to be done by the manufacturer or his agent in order to avoid a safety hazard.

### Care and cleaning

Clean the housing only with a damp cloth-do not use any solvents! Dry thoroughly afterwards.

### Storing

Store the machine, operating instructions and where necessary the accessories in the original packaging. In this way you will always have all the information and parts ready to hand.

Pack the device well or use the original packaging in order to avoid transit damage.

Always keep the machine and its accessories in a dry place.

### Disposal

Household Appliances, accessories and packaging should be sorted for environmentally-friendly recycling.

**Only for EC countries:**



Do not dispose of appliances into household waste!

According to the European Directive 2002/96/EC on waste electrical and electronic equipment and its incorporation into national law, products that are no longer suitable for use must be separately collected and sent for recovery in

an environmentally-friendly manner.

## DECLARATION OF CONFORMITY

The declaration is to certify that it conforms to CE, EMC, MD and RoHS directives:

EN55014-1: 2017

EN55014-2: 2015

EN61000-3-2: 2014

EN61000-3-3: 2013

All provisions of Annex 1 of Council Directive 2014/30/EU – EMC directive

EN 62841-1: 2015

EN 62841-2-11: 2016

All provisions of Annex 1 of Council Directive 2006/42/EC – the Machinery Directive

RoHs 2011/65/EU



A handwritten signature in black ink, appearing to read 'Paul Kaye'.

Mr. Paul Kaye, UK QA Manager

Please read the following carefully.

FUTURA Direct Ltd. and/or its distributor have provided the parts list and assembly diagram as a reference tool only.

Neither FUTURA Direct Ltd. or its distributor makes any representation or warranty of any kind to the buyer that he or she is qualified to do any repairs or replace any parts of this product. FUTURA Direct Ltd. and its distributor expressly state that all repairs or parts replacement should be done by certified or licensed technicians. The buyer assumes all risk and liability arising out of his or her repairs or parts replacement to the original product.

## 24 MONTHS LIMITED WARRANTY

If within 24 months from the date of purchase you experience any problems with your product, please return the product to its distributor/dealer for repair or replacement. This warranty DOES NOT COVER normal wear, or any damage as a result of accidents, misuse, abuse or negligence.

[www.futura direct.co.uk](http://www.futura-direct.co.uk)

We FUTURA Direct Ltd, England DN6 7AY declare that the 550W Jigsaw exclusively manufactured for FUTURA Direct Ltd and has been manufactured according to our fully quality assurance procedures.