

# PRODUCT GUIDANCE

## Divine Style Cantilever Parasol Bundle

Includes:

Cantilever Parasol, Waterproof Cover & 4pc Fillable Base Weights

1-2 PERSON ASSEMBLY



FLOOR AREA  
1M X 1M

### MATERIALS/TOOLS REQUIRED:

- 1) Wrench/Spanner - Included
- 2) Tape Measure - (Optional but Recommended)
- 3) Water to fill G-Blocs bases
- 4) Sand (62Kg) to fill G-Blocs bases (Optional but Recommended)



**Firstly thank you for purchasing our product, we really mean it!**

We understand you have many choices and we genuinely hope our product completely meets your needs.

Wherever you purchased it, if you are happy please leave a product review - it means the world to us and helps other customers make an informed choice.

**Problems or missing parts? Reach us at [fixit@i4ingenuity.co.uk](mailto:fixit@i4ingenuity.co.uk)**

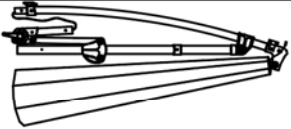


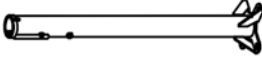



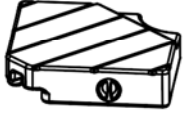


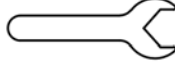
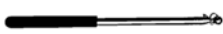
**Yes, we know, instructions are boring as hell to read. We have tried to make our instructions as clear as possible. Please take the time to review these before you start may save you a lot of pain or time later.**

# IMPORTANT - Part Check

This guidance is for model numbers beginning:

DS-CPAR-BUN-XX

DS-CPARLED-BUN-XX

Part no	Part	Qty (Pcs)	Part no	Part	Qty (Pcs)	Part no	Part	Qty (Pcs)
A		1	B		1	C		1
D		1	E		4	F		4
G		2	H		4	J		1
K		1	L		1	M		1

A - Parasol canopy & frame

B - Cross base section 1

C - Cross base section 2

D - Parasol frame support

E - Base bolts

F - Base bolt washers

G - Frame bolts

H - G-Blocs fillable weights

J - Solar panel (Only with LED models)

K - Waterproof cover

L - Wrench/spanner

M - Telescopic pole

# PREPARATIONS

We strongly recommend measuring the space where you intend to use the parasol. The base including weights require an area measuring approximately 1m x 1m. Please note due to the height of the weights they may not fit under any furniture so take this in to consideration.

Consider the position of the sun for optimal positioning. It is far easier to plan ahead for which position you want the parasol rather than try to adjust afterwards as once the base weights are filled, the parasol is heavy.

While the parasol can be erected with one person, consider if you need a second person the canopy frame & the base weights (once filled) are quite heavy.

Ensure that no children or pets are present during the erection of the item.

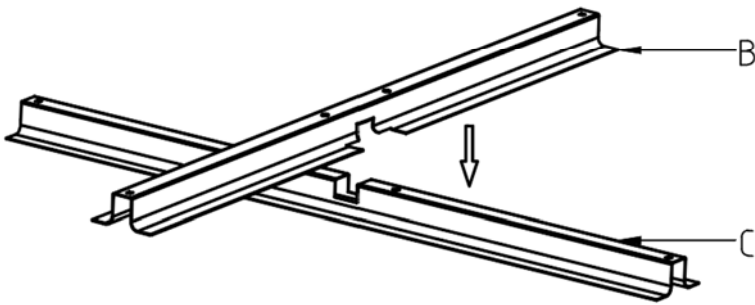
Please take care when unfolding, folding or adjusting positions to avoid any possibility of pinched or trapped fingers.

You will need either water or water/sand to fill the base weights. If using sand, using a funnel is recommended and the amount of sand required is ??? Once you have filled with sand, adding water will provide the most weight.

Please turn over for parasol assembly guidance

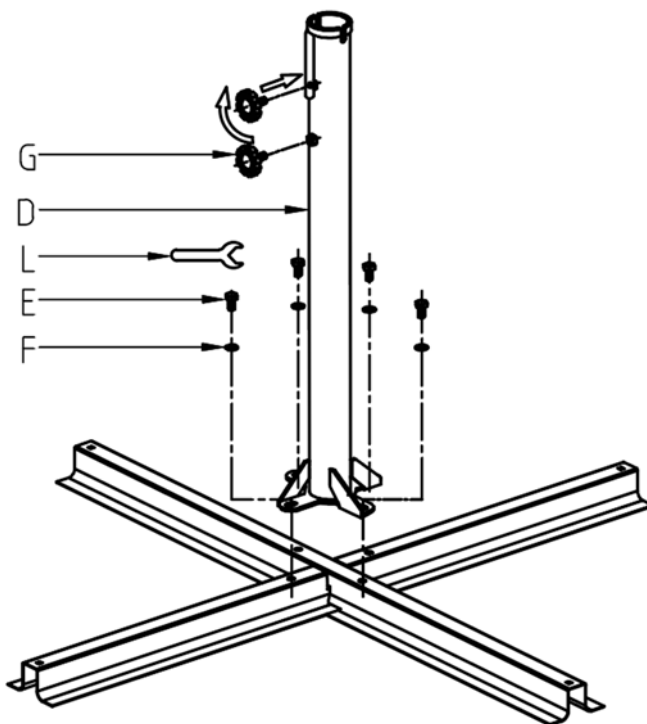
# ASSEMBLY (1)

1



Now you have decided on the best position for the parasol, take the cross-base sections B & C and fit together like shown.

2

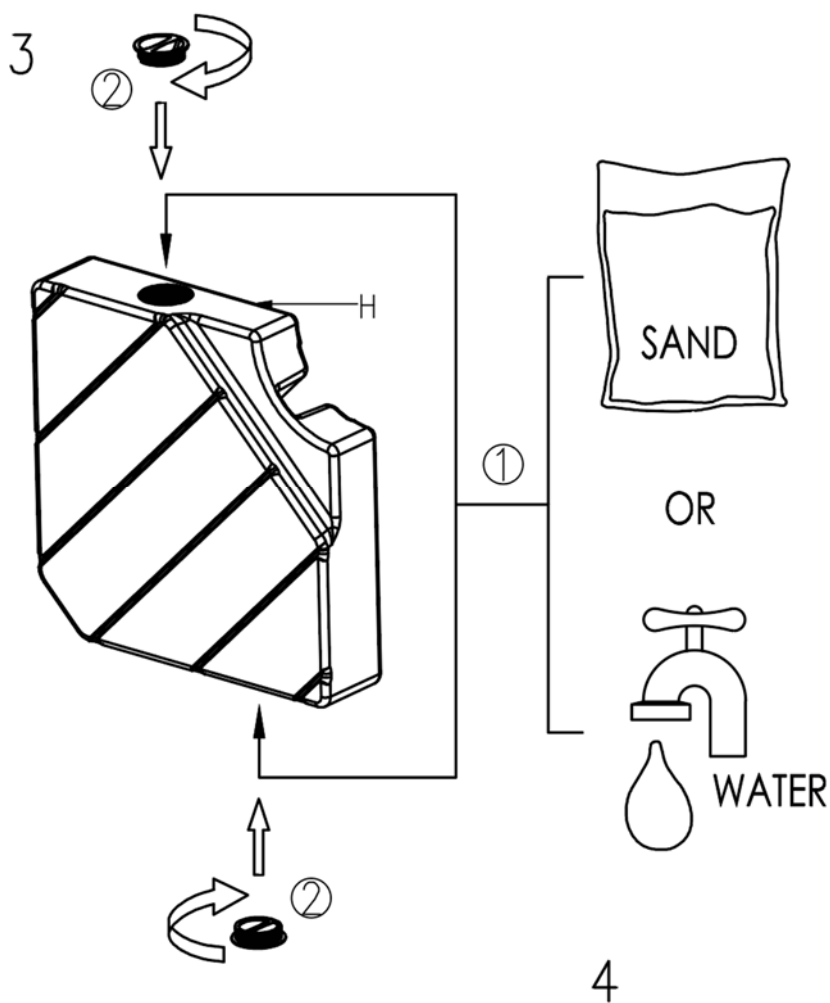


Take part D (parasol frame support) and attach to the base sections using the bolts (E) and washers (F). We have included a spanner (L) for this step.

Now take the frame bolts (G) and insert them in to the frame support like shown. Don't screw them all the way in as they will be tightened later.

Ensure the frame bolts are facing away from where the canopy will extend.

## ASSEMBLY (2)



Time to take each G-Blocs fillable weight (H) and fill with your filler of choice.

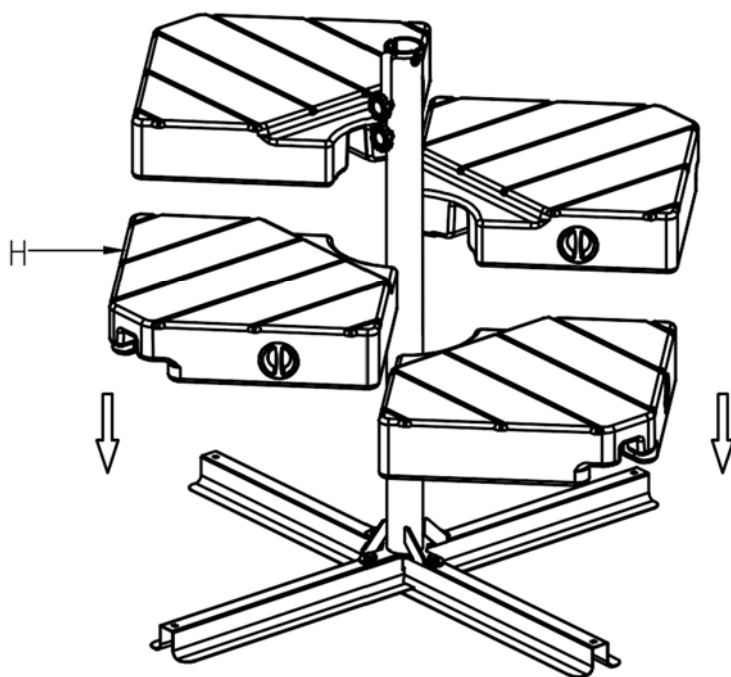
Water can be used but we recommend using sand or water and sand (sand first followed by water) for the maximum weight.

Ensure the caps are tightened sufficiently when filling is completed.

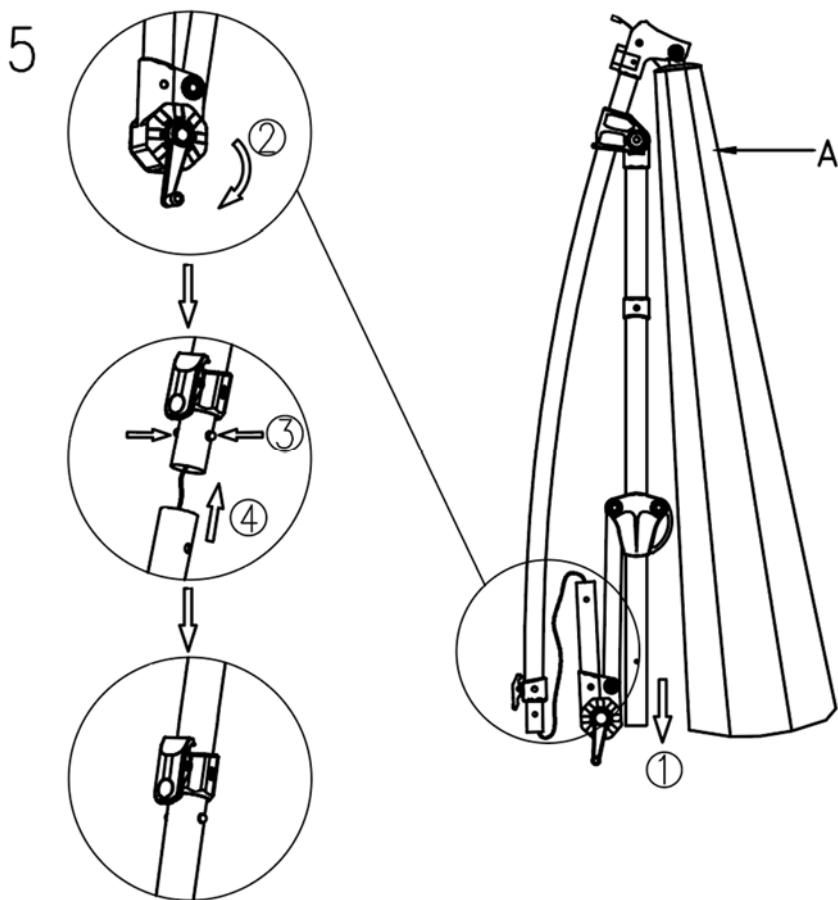
Take each G-blocs weight section and fit in to each base quadrant like shown.

Ensure that each weight is snug and covering the base sections.

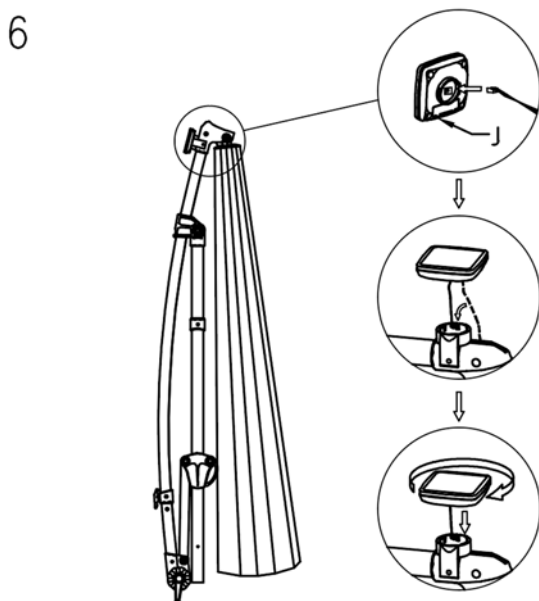
4



## ASSEMBLY (3)



Now turn your attention to the parasol frame & canopy part A. Turn the winch clockwise which will slacken the cord. Now fit each section together like shown. The bolt (3) should click in to the hole (4).

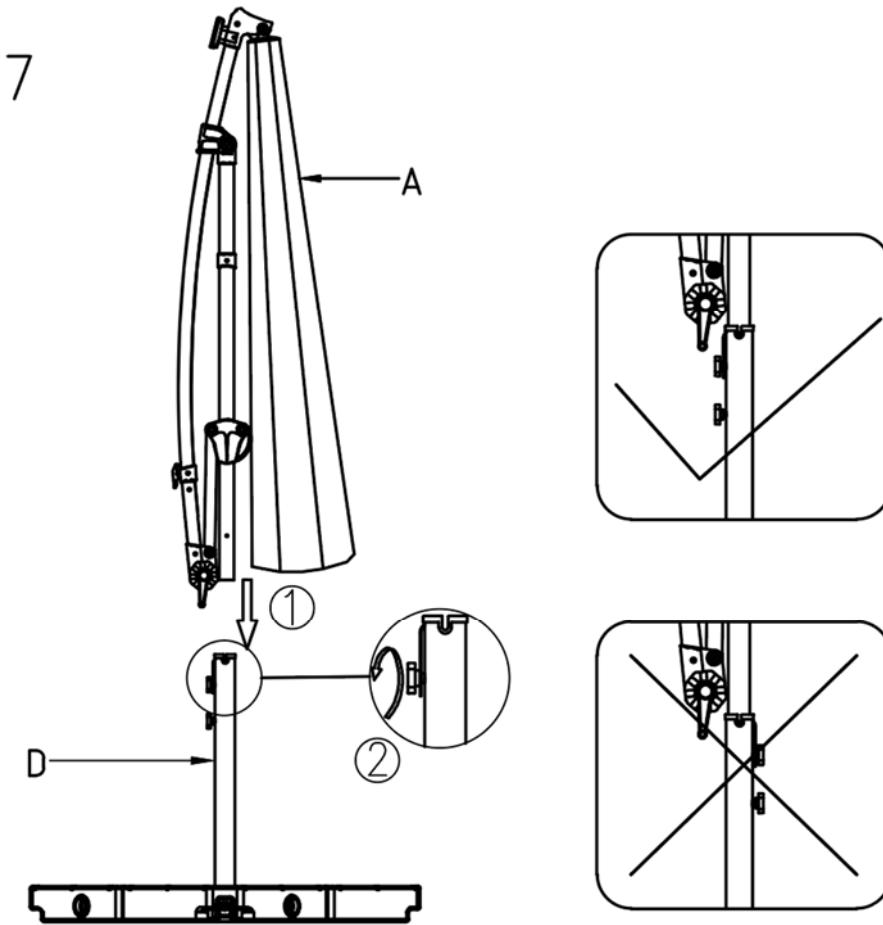


**Only for light-up LED models.**

Please skip this step if your model doesn't include lights.

Take the solar panel part J, connect the wires and then fit to the top of the canopy as shown.

## ASSEMBLY (4)

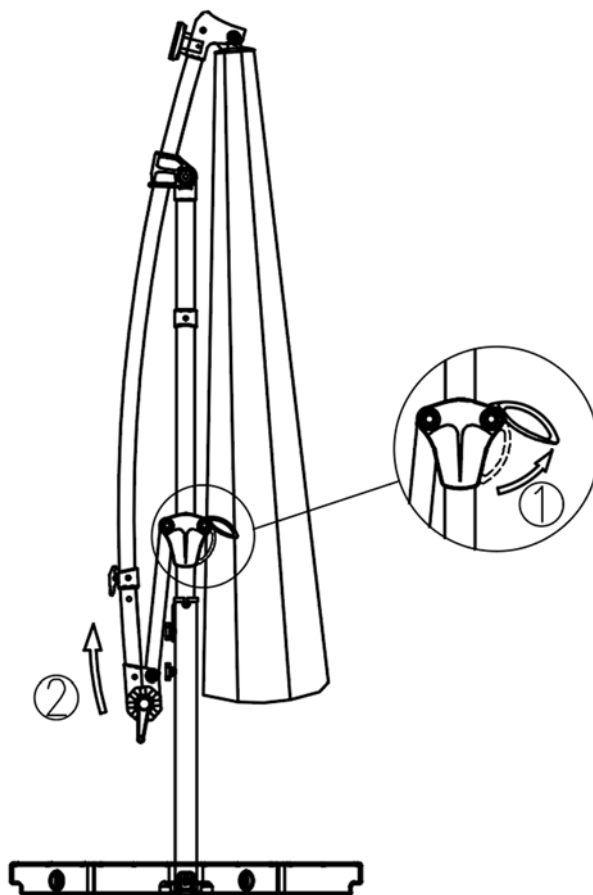


Take the parasol canopy & frame part A and insert like shown in to the parasol frame support part D.

**You may need a second person to help with this.** Also ensure that it is fitted so the winch is on the same side as the frame support bolts parts G like shown. You may need to loosen the bolts part G first to slide in the pole.

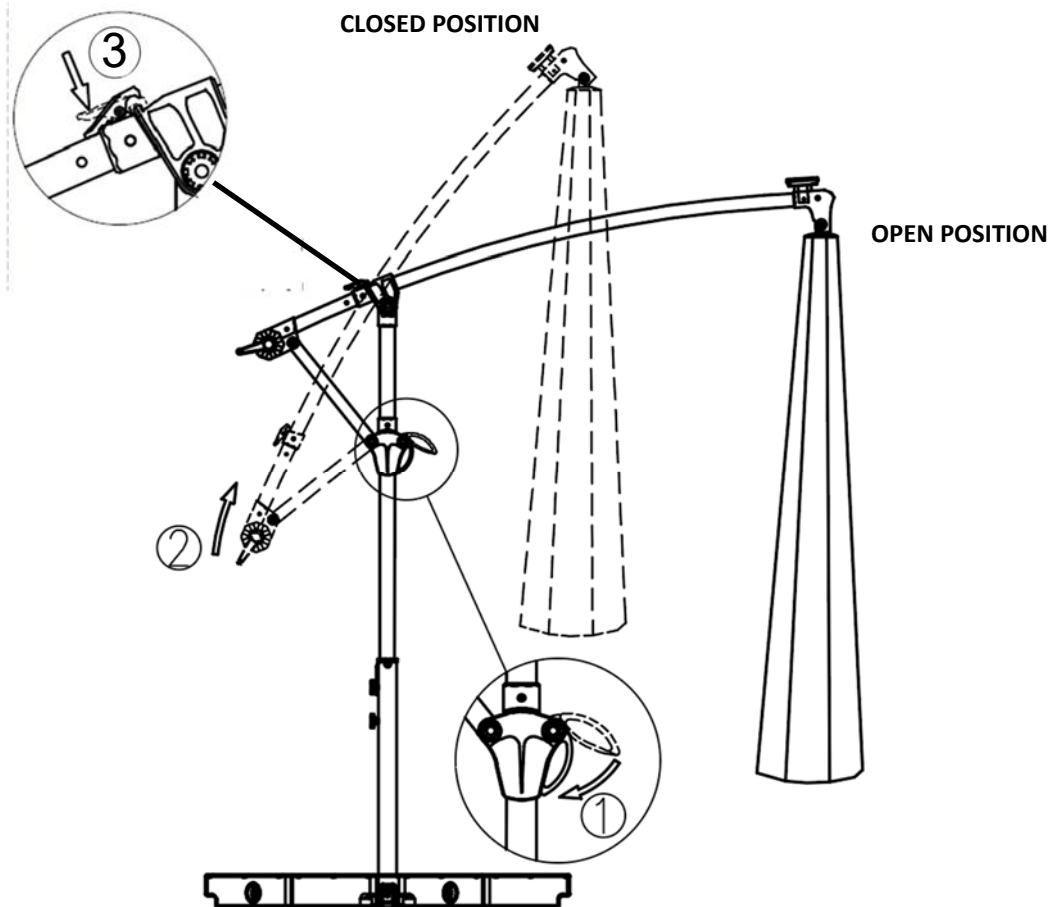
Now tighten the bolts (parts G) to secure the canopy & frame to the frame support.

# OPERATIONS (1)



To operate the parasol you need to disengage the level (1) in to the upward position. This now allows you to push the canopy section up the central pole.

# OPERATIONS (2)



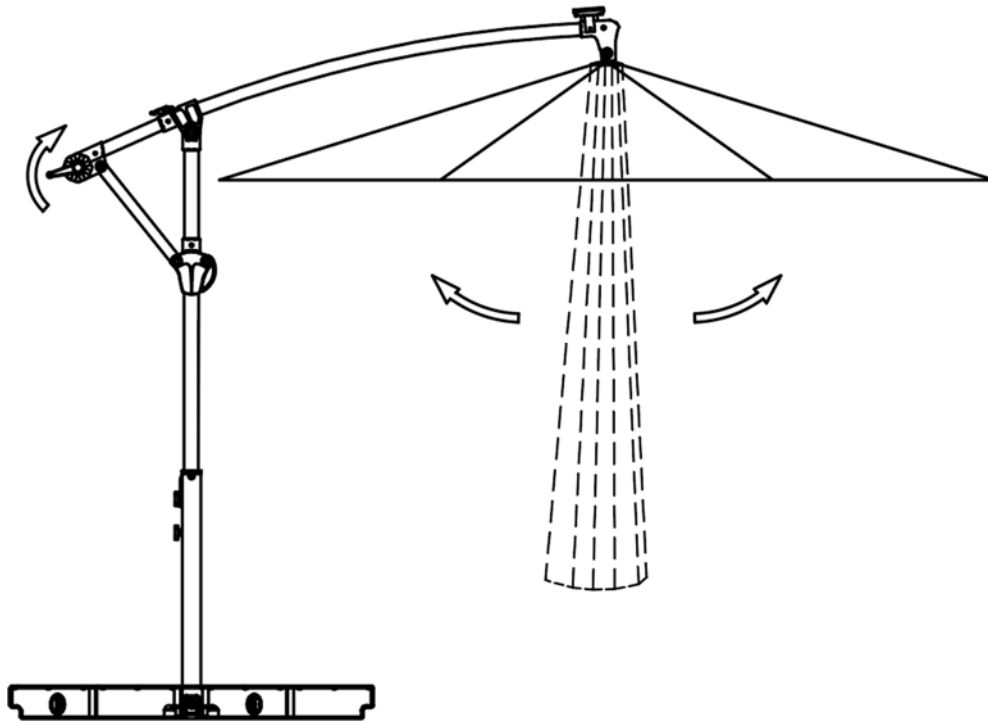
Once this is in position, lock the lever again by pulling it down (1) and ensure the clip (3) is engaged.

The parasol has now moved from the closed position to the open position.

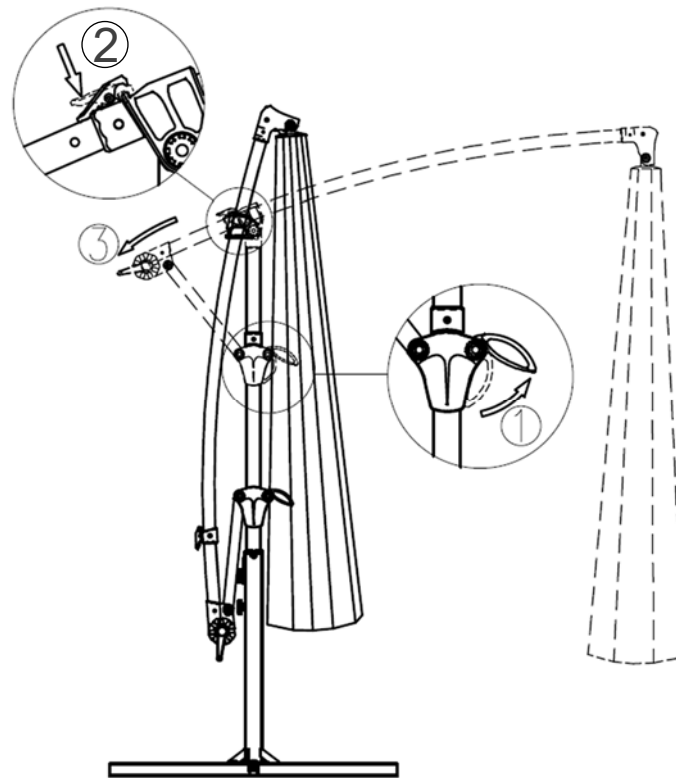
## Canopy Rotation

To rotate the parasol in to the required position, loosen the bolts (Part G) in the parasol frame support and rotate the parasol canopy & frame. Re-tighten the bolts once done.

# OPERATIONS (3)

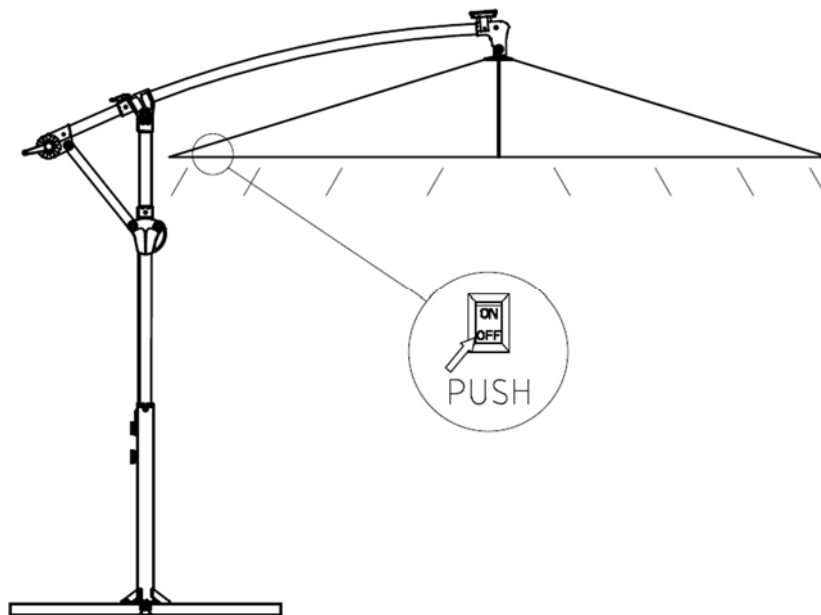


Turn the crank handle clockwise to extend the parasol canopy like shown. Caution, do not over-tighten the crank. Turn the crank handle anti-clockwise to retract the canopy. When not in use return the parasol to its closed position as opposite steps 1,2 then 3.



# OPERATIONS (4)

## Optional - LED Light-up Models Only



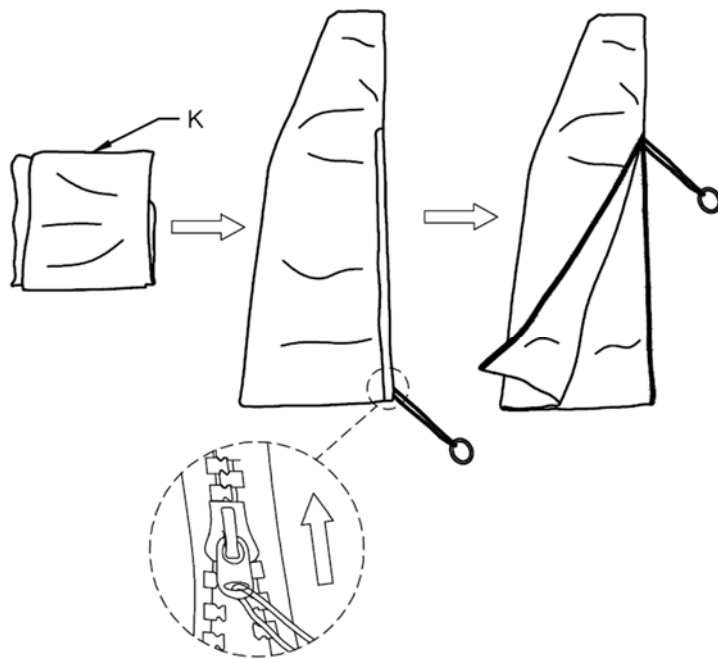
There is a switch underneath the canopy. You can turn the lights on when required e.g. dusk. Providing the solar panel has sufficiently charged it will provide approximately 6 hours of light.

The solar panel takes about 6 hours to charge fully with sufficient sunlight. In cloudy conditions or early/late season, it will take longer to charge.

**It is important that you turn the lights off when not in use otherwise the solar panel will continually discharge and also shorten its lifespan.**

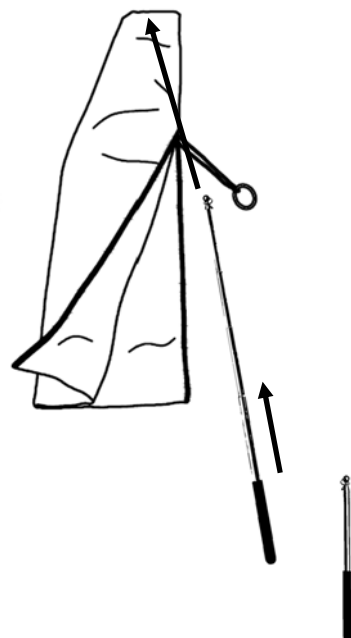
# OPERATIONS (5)

## Attaching the Waterproof Cover



Remove the cover part K from its bag and undo the zip like shown.

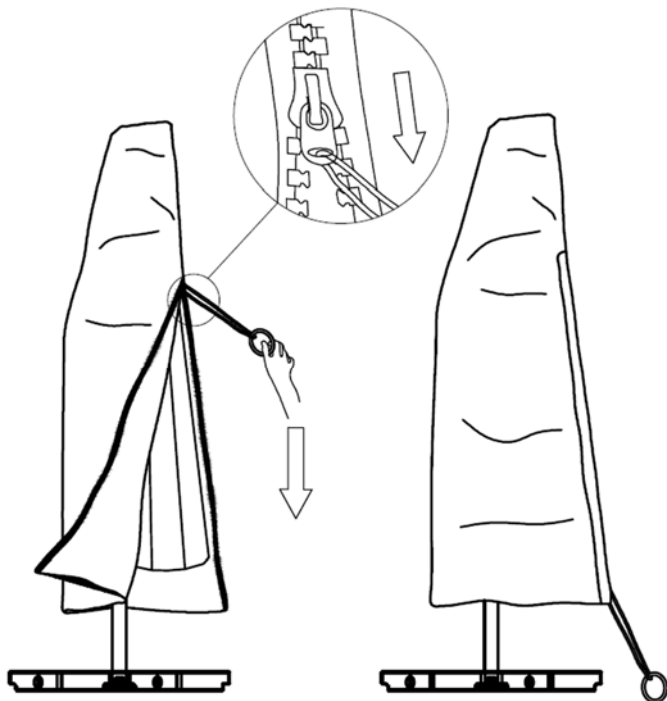
**NB: Ensure the parasol is completely retracted in to its closed position as in the previous step otherwise you will be unable to use the cover.**



Take the telescopic pole part M and extend it like shown. Place pole inside of cover and use it to drape the cover over the top of the parasol.

# OPERATIONS (6)

## Attaching the Waterproof Cover



Remove the pole and pull down the zip to ensure the parasol is securely protected against the elements.

Reverse the procedure to remove the cover.

# CARING FOR YOUR PARASOL BUNDLE

We want your parasol to last for many years to come. Following these points will help its longevity.

- 1) **Please retain the boxes & these instructions**
- 2) **Do use the supplied rainproof cover** in between uses. Ensure that the parasol is fully retracted using the winch, the cuff disengaged and the level unlocked so that the parasol is fully in its down collapsed position. The cover helps protect from dirt, grime, mildew & fading.
- 3) If you are not using the parasol for long periods e.g. winter, we **highly recommend storing the parasol inside**. Even with the cover on, long periods without air circulation underneath can lead to mould spots on the fabric. In the unlikely event this happens, white vinegar can be used to gently clean these away.
- 4) Never leave the filled bases outside during very cold or inclement weather.
- 5) We recommend that when moving or storing the base weights, always unscrew the filler cap and empty the entire contents first.
- 6) Clean the parasol frame once per year by giving it a light scrub with warm soapy water. The fabric can be cleaned with a cool hand wash using mild washing powder. Ensure the fabric is rinsed thoroughly and allowed to drip dry.
- 7) As this is a domestic parasol it is designed to withstand a **light-moderate breeze only**. Only commercial grade parasols are safe to use in windier conditions. The parasol includes a wind flap at the top to reduce movement in breezy conditions. When not in use, please ensure you retract the parasol in case the wind increases suddenly.
- 8) **Wind movement** or unwanted rotation may be noticeable. The parasol does feature an air vent to help but we understand the movement may be undesirable. **Do not use** the parasol when it is too breezy. If movement is still a concern, cantilever parasol wind straps can be purchased inexpensively. These are low cost and will further help prevent unwanted movement.
- 9) If you have a light-up model and the lights fail to illuminate. Ensure that the solar panel has had time to charge and the lights are switched on. Also check the cable connectors and ensure the connection is secure with no breakages in the wiring.

# SPECIFICATIONS

## Materials:

**Parasol canopy:** polyester, frame: powder coated steel

**G-Blocs base weights:** plastic

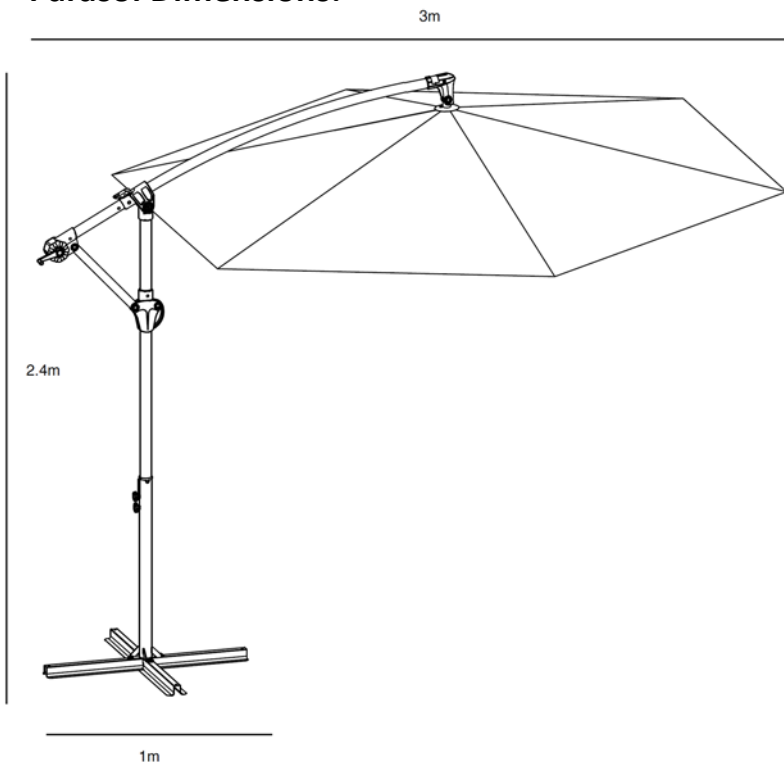
Weight for all 4 segments when filled:

Water: 46.2 Kg

Sand: 68 Kg

Water & Sand: 77.6 Kg

## Parasol Dimensions:



Made in China

Divine Style is a trademark of i4ingenuity Limited

**If you have any problems or queries please send us an email at [fixit@i4ingenuity.co.uk](mailto:fixit@i4ingenuity.co.uk)**  
It will be helpful to us to include your product model number which can be found on the box. Also the date you purchased and order number if possible.

The warranty for all parts in used in accordance with these instructions against defects is for 2 years from date of receipt. Please email at the above email for a warranty claim.