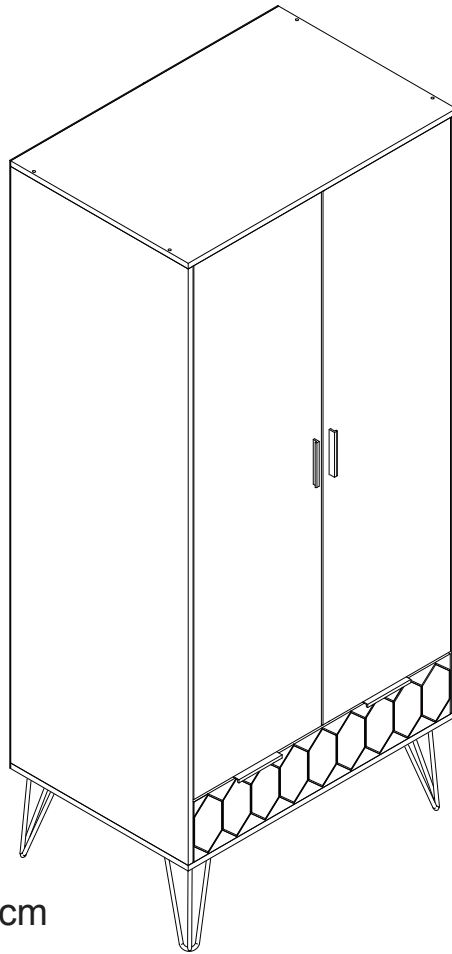


ORLEANS 2 DOOR 1 DRAWER WARDROBE ASSEMBLY INSTRUCTIONS

Thank you for purchasing the ORLEANS 2 DOOR 1 DRAWER WARDROBE

Please read the instructions carefully to ensure safe operation of this product.



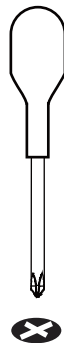
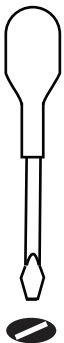
Size:83.3x55.5x180cm

PLEASE READ this sheet prior to assembly to familiarise yourself with the various stages of construction.

Carefully open the pack supplied and check the contents against the parts and fittings check list. Do not destroy any of the packaging until you are certain that you have all the necessary parts for the assembly.

CAUTION: There are small components used in the construction of this unit. These loose items should be kept away from young children whilst assembling your unit to avoid the danger of choking.

Tools Required



Number of people



2 Hour
Set Up

IMPORTANT - READ CAREFULLY - RETAIN THESE INSTRUCTIONS FOR FUTURE REFERENCE.

INFORMATION

- This product is intended for a maximum weight of 30kg. Do not exceed this weight.
- We recommend that this unit is assembled in the room intended for use.
- When you are ready to start, make sure that you have the right tools, plenty of space and a clean, dry area for assembly.
- Unwrap all packaging materials and place the components on top of the carton box or on a clean floor to prevent any accidental scratching.
- Check the pack and make sure you have all the parts listed.
- Ensure that this product is fully assembled as illustrated before use.
- Check all screws or bolts are tightened and inspect regularly
- Tools not included unless specified in parts list.

WARNINGS

- This product should only be used on a firm and level floor.
- Keep small parts out of reach of children.
- Make sure the legs remain in contact with the floor.
- DO NOT use power tools to construct this product.
- DO NOT over-tighten screws or bolts.
- DO NOT use this product if parts are missing, damaged or worn.
- DO NOT sit or stand on the product.
- We recommend the use of the wall safety strap provided for safety reasons. N.B. Wall fixings suitable for a solid wall are included although the wall plug provided may not be suitable for other type of walls such as hollow walls. Fixings suitable for your wall type must be obtained separately. If in doubt please consult a qualified trade person. **Warning:** Always ensure the area to be drilled is free from hidden electrical wires, water and gas pipes.
- DO NOT place hot or Warm objects on the surface as these may damage the Product . Always use a suitable heat resistant mat.

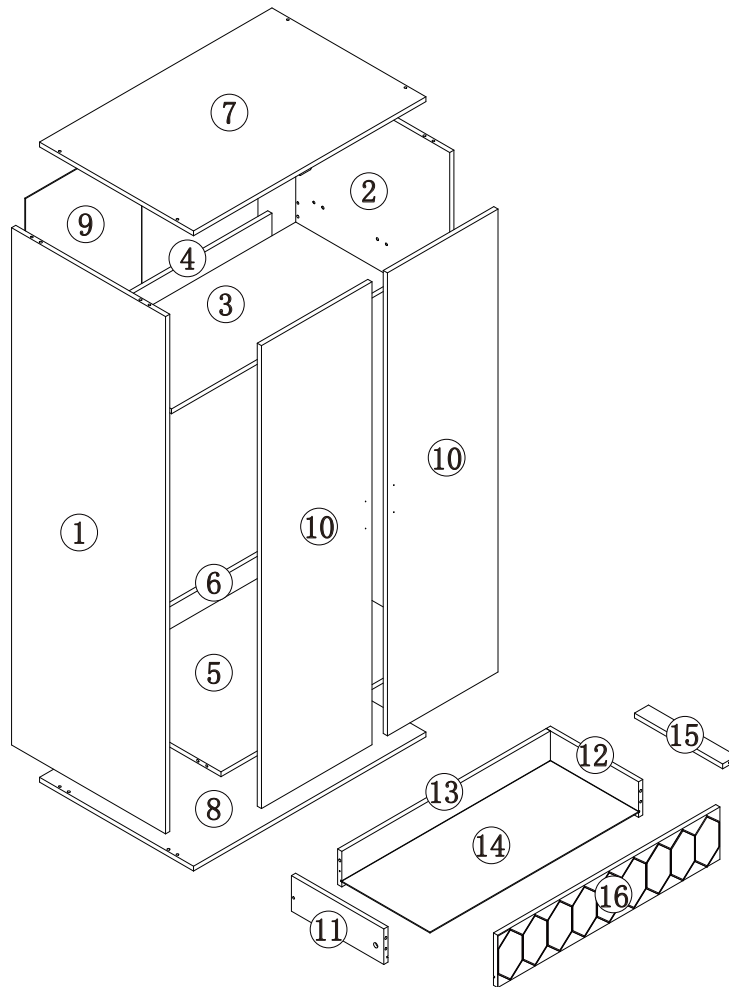
CARE INFORMATION

- Never use scourers, abrasives or chemical cleaners.
- To clean, wipe with a damp sponge and warm soapy water.
- Do not use solvent based cleaners or detergents as they can bleach or damage the product.

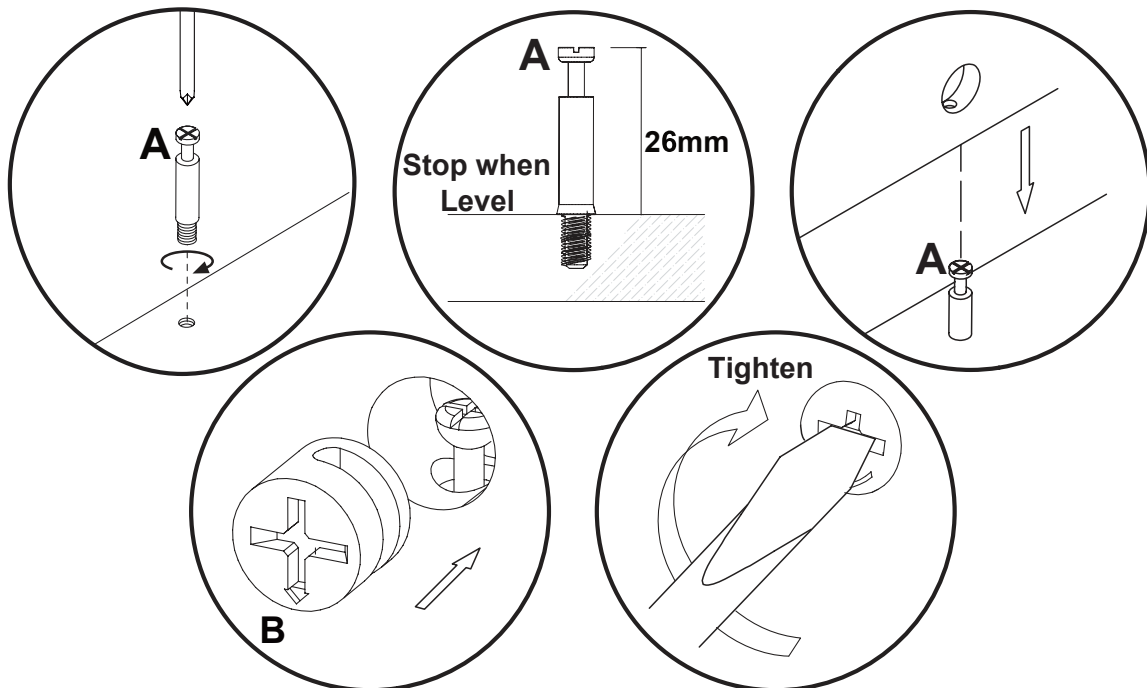
Parts and Fittings Checklist

Please check the pack contents before assembling the product. If any components are missing, please contact your retailer.

The fittings pack contains small items that should be kept away from children.



General Hints & Tips



ORLEANS 2 DOOR 1 DRAWER WARDROBE ASSEMBLY INSTRUCTIONS

All parts are packed in one carton

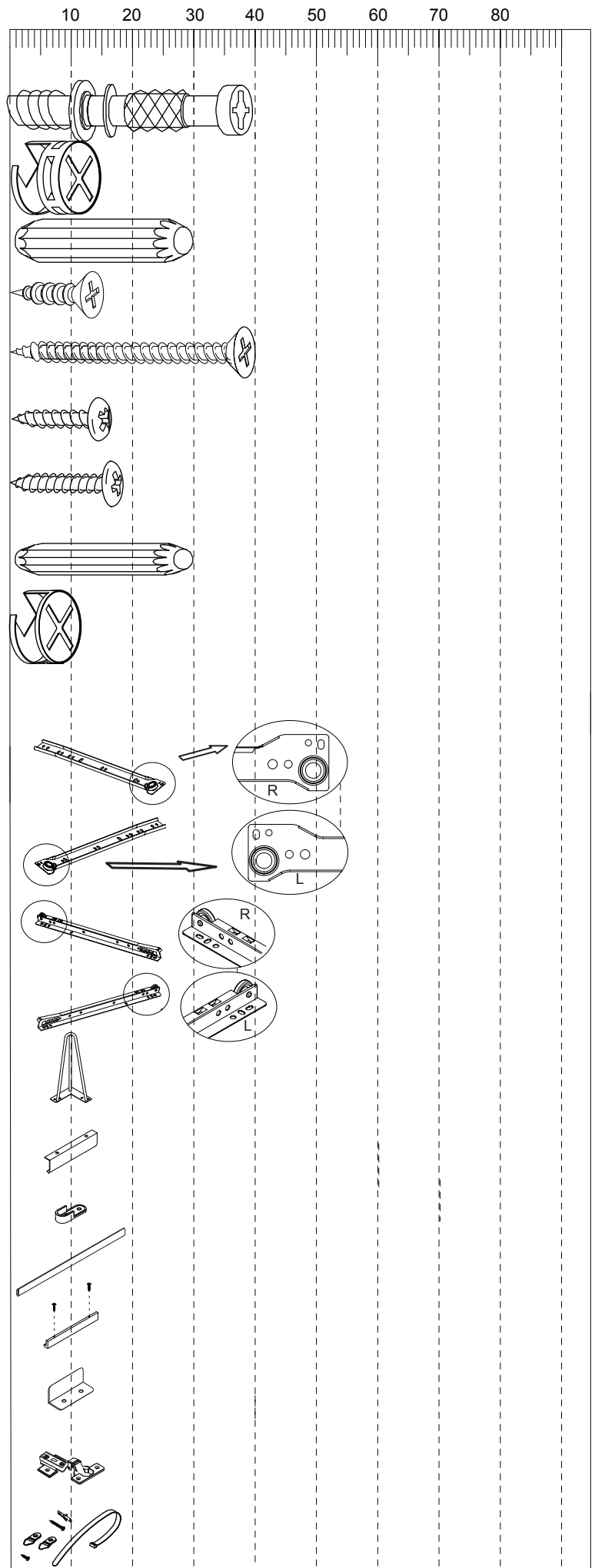
1	2	3
Description: LEFT HAND SIDE PANEL Qty: 1 Size: 548x1600x15mm Carton No: 1/3	Description: RIGHT HAND SIDE PANEL Qty: 1 Size: 548x1600x15mm Carton No: 1/3	Description: SHELF (UPPER) Qty: 1 Size: 395x799x15mm Carton No: 3/3
4	5	6
Description: BACK CROSSING PANEL (UPPER) Qty: 1 Size: 140x799x15mm Carton No: 3/3	Description: SHELF (BOTTOM) Qty: 1 Size: 530x799x15mm Carton No: 3/3	Description: BACK CROSSING PANEL (BOTTOM) Qty: 1 Size: 160x799x15mm Carton No: 3/3
7	8	9
Description: TOP PANEL Qty: 1 Size: 550x833x15mm Carton No: 3/3	Description: BOTTOM PANEL Qty: 1 Size: 550x833x15mm Carton No: 3/3	Description: BACK PANEL Qty: 1 Size: 826x1626x2.7mm Carton No: 1/3
10	11	12
Description: DOOR PANEL Qty: 2 Size: 395x1428x15mm Carton No: 2/3	Description: DRAWER/LEFT HAND SIDE PANEL Qty: 1 Size: 110x330x12mm Carton No: 3/3	Description: DRAWER/RIGHT HAND SIDE PANEL Qty: 1 Size: 110x330x12mm Carton No: 3/3
13	14	15
Description: DRAWER BACK Qty: 1 Size: 110x750x12mm Carton No: 3/3	Description: DRAWER BOTTOM Qty: 1 Size: 325x758x2.7mm Carton No: 3/3	Description: DRAWER BOTTOM CROSSING PANEL Qty: 1 Size: 50x317x12mm Carton No: 3/3
16		
Description: DRAWER FRONT Qty: 1 Size: 793x160x15mm Carton No: 3/3		

Fittings (to scale)

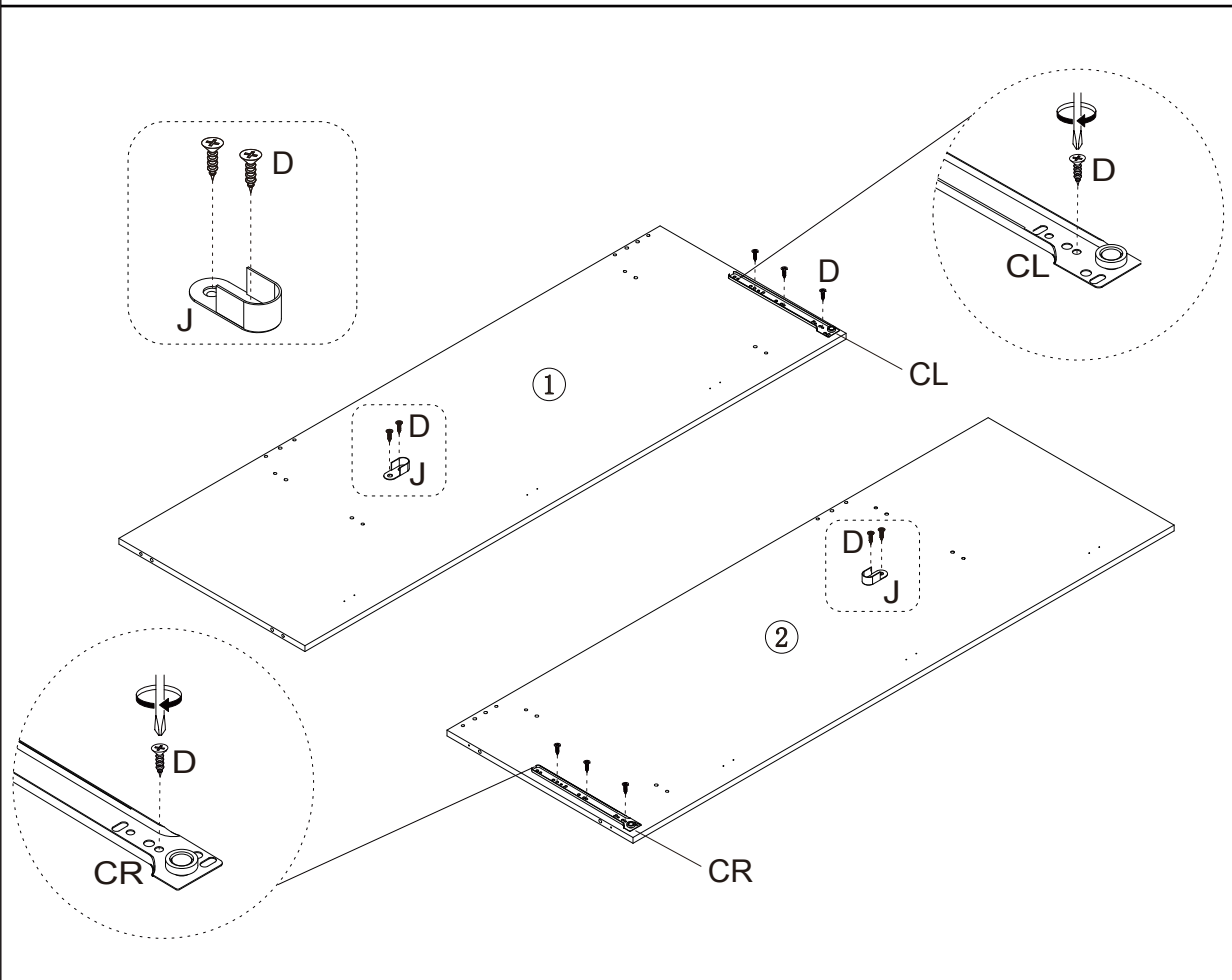
Code	Item	Quantity
A	CAM BOLT (7x39mm)	19
B	CAM NUT (15x12mm)	16
C	DOWEL (8x30mm)	22
D	SCREW (3.5x14mm)	46
E	SCREW (5x40mm)	11
G	SCREW (4x14mm)	20
H	SCREW (3x16mm)	26
O	DOWEL (6x30mm)	4
P	CAM NUT (15x10mm)	3

Fittings (not to scale)

Code	Item	Quantity
CR	CABINET RUNNER-RIGHT	1
CL	CABINET RUNNER-LEFT	1
DR	DRAWER RUNNER-RIGHT	1
DL	DRAWER RUNNER-LEFT	1
F	LEG (170x75x75mm)	4
I	HANDLE	2
J	HANGING RALL SUPPORT	2
K	HANGER	1
L	HANDLE	2
M	DOOR STOPPER	1
N	HINGE	6
Q	WALL FIXING	2

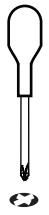


STEP 1

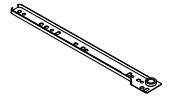


For this step:

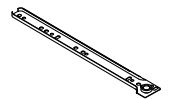
Tools required



Fittings required



CL X1

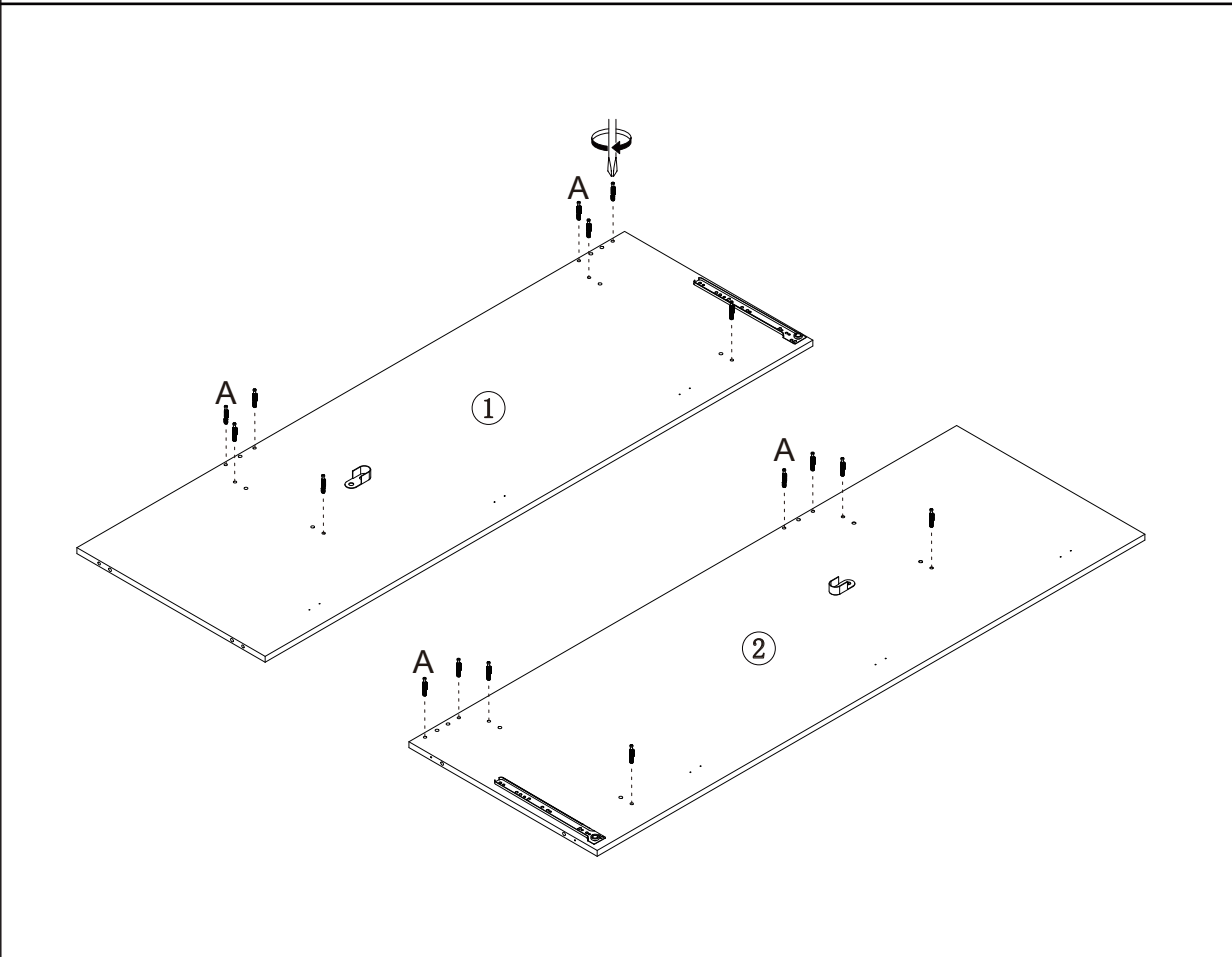


CR X1



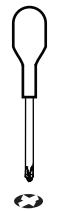
D X10

STEP 2



For this step:

Tools required

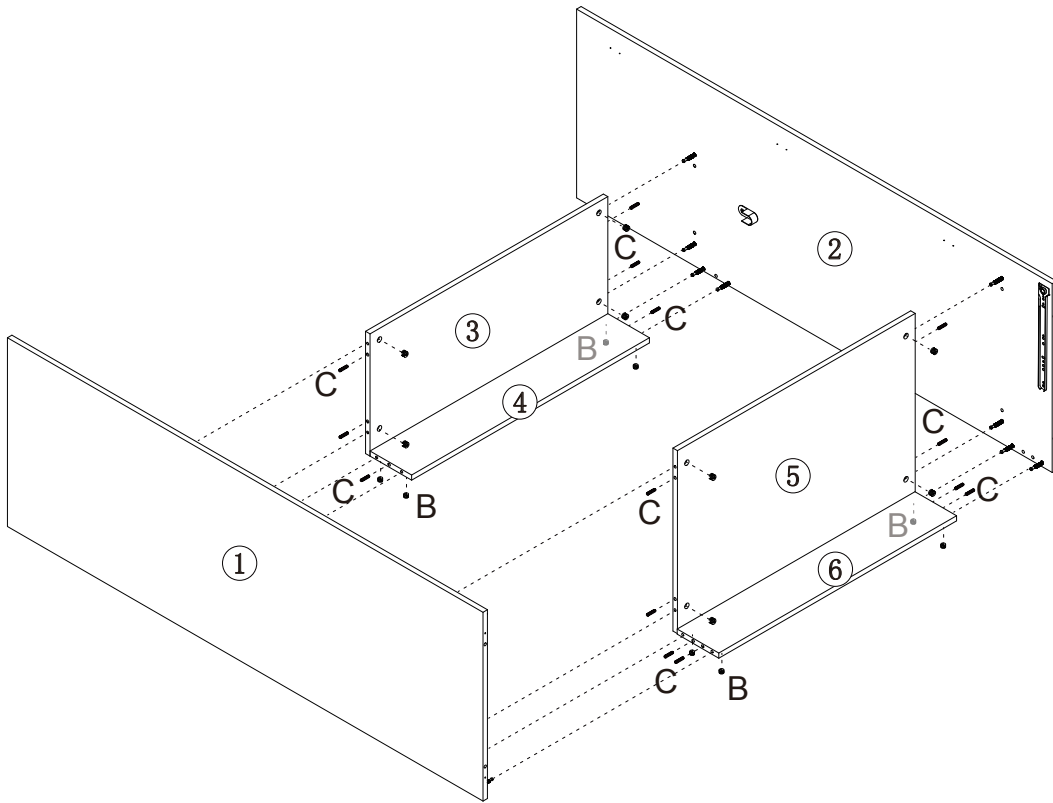


Fittings required



A x16

STEP 3



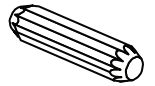
For this step:
Tools required



Fittings required

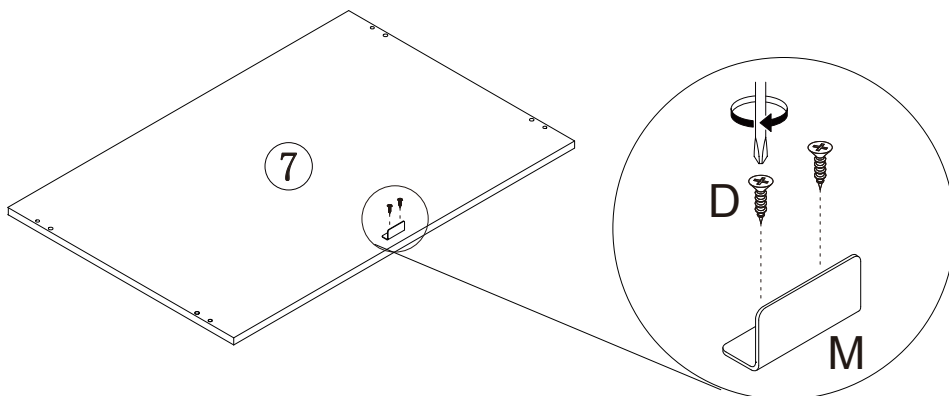


B x16

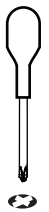


C x14

STEP 4



For this step:
Tools required



Fittings required

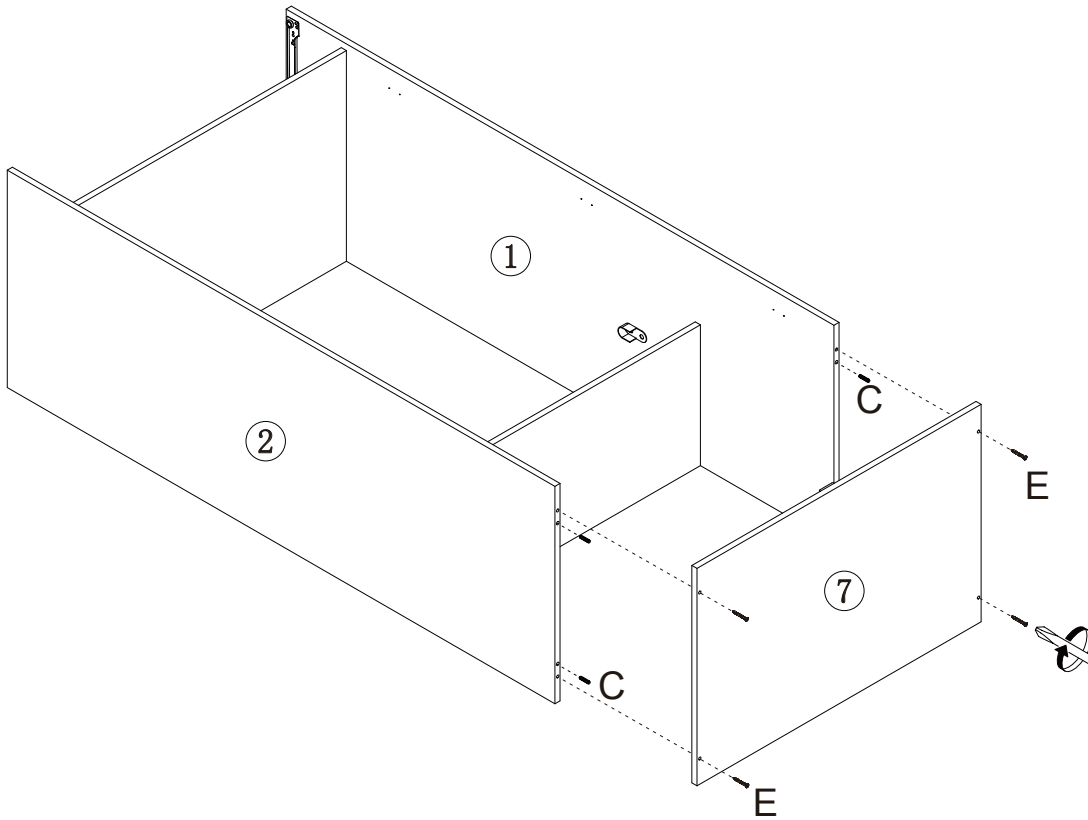


D x2



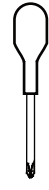
M x1

STEP 5



For this step:

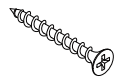
Tools required



Fittings required

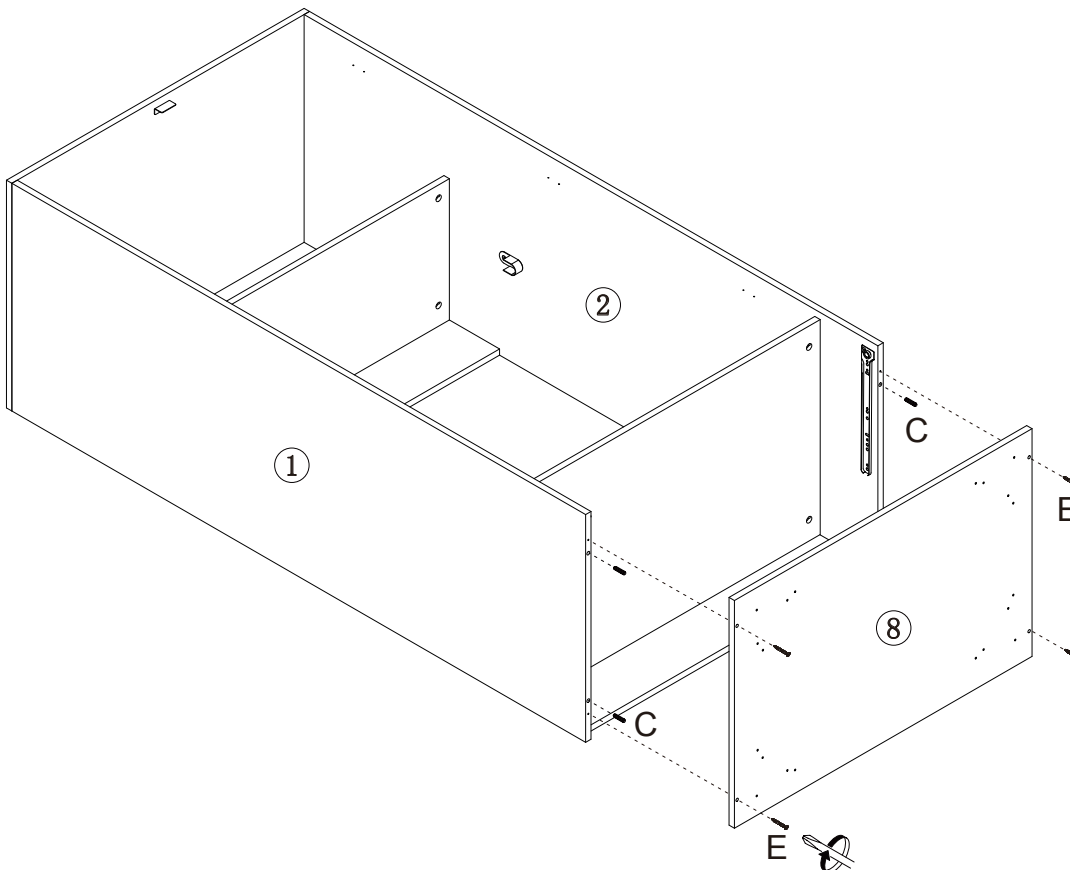


C x4



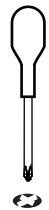
E x4

STEP 6



For this step:

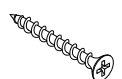
Tools required



Fittings required

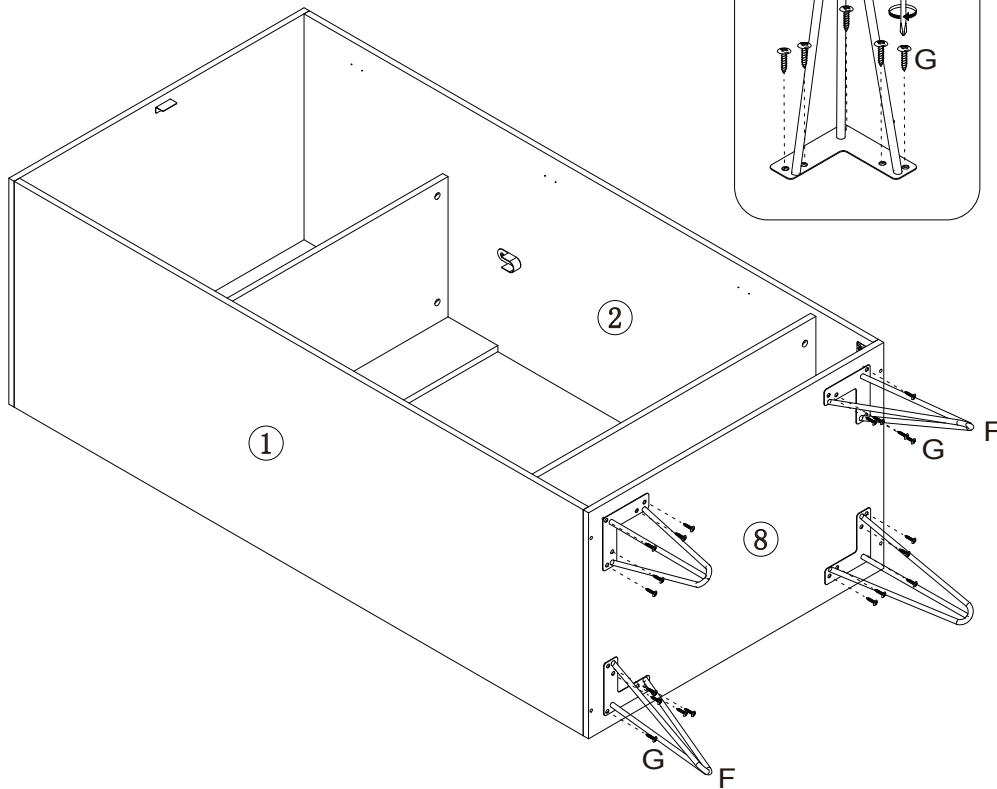


C x4



E x4

STEP 7

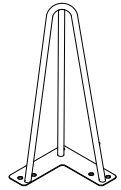


For this step:

Tools required



Fittings required

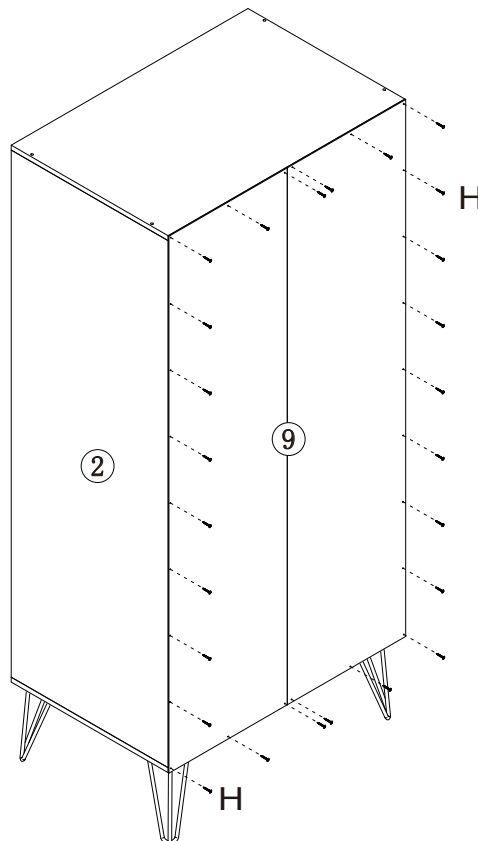


F x4



G x20

STEP 8



For this step:

Tools required

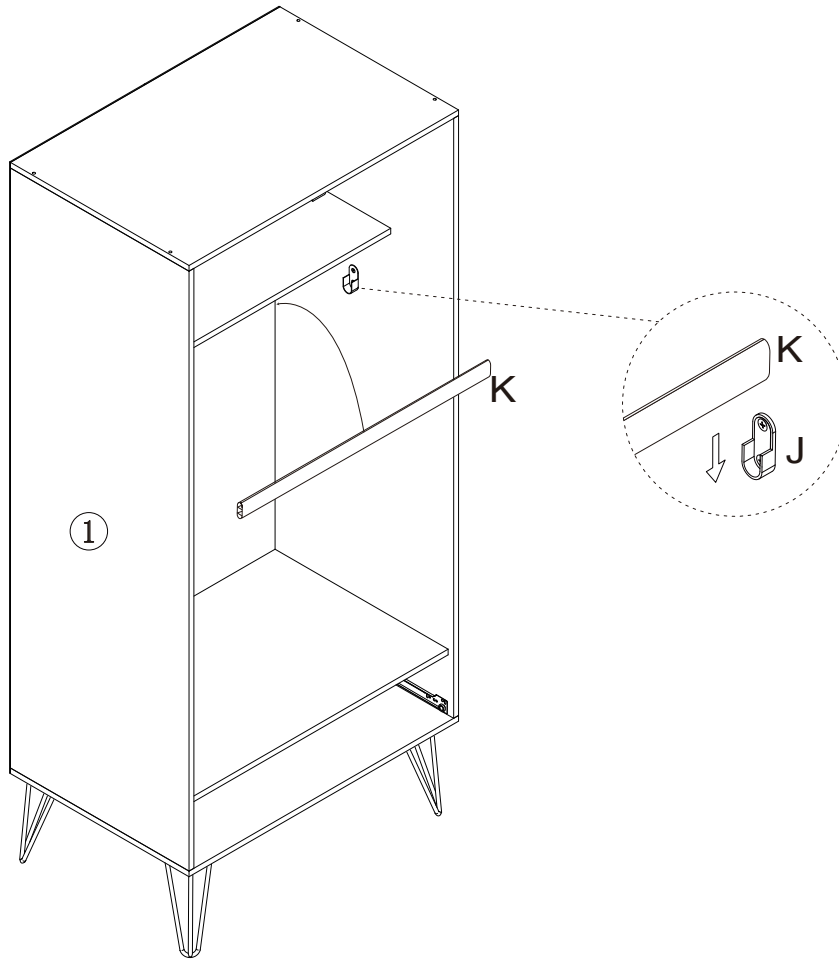


Fittings required



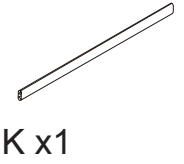
H x26

STEP 9

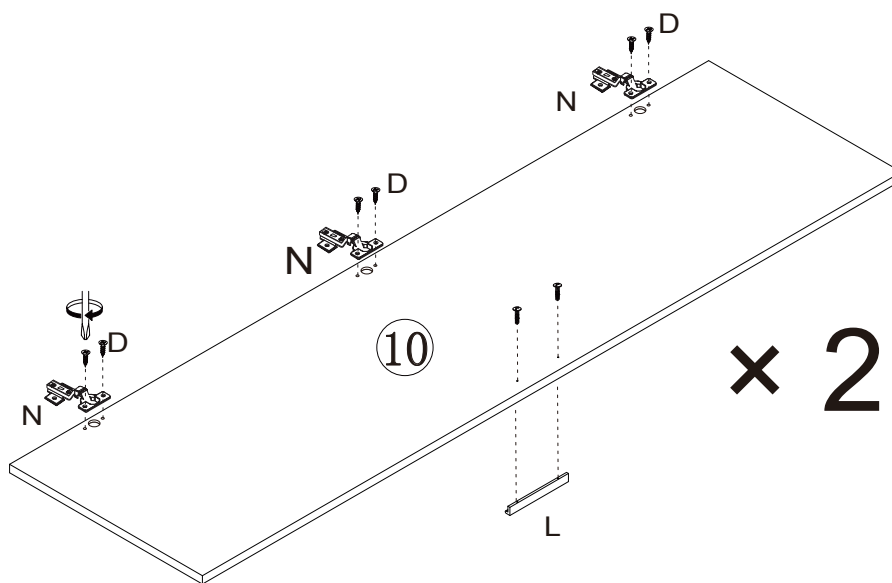


For this step:
Tools required

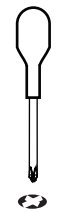
Fittings required



STEP 10



For this step:
Tools required



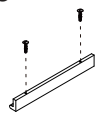
Fittings required



D x12

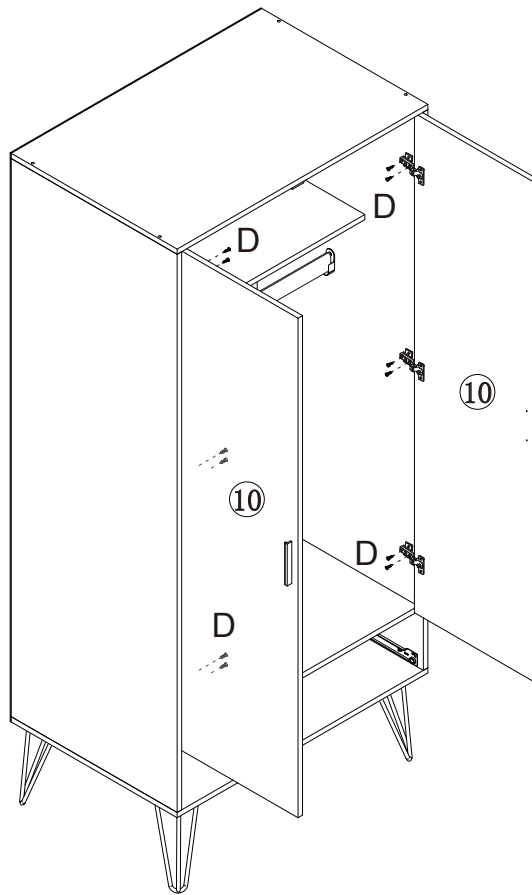


N x6



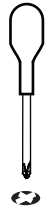
L x2

STEP 11



For this step:

Tools required

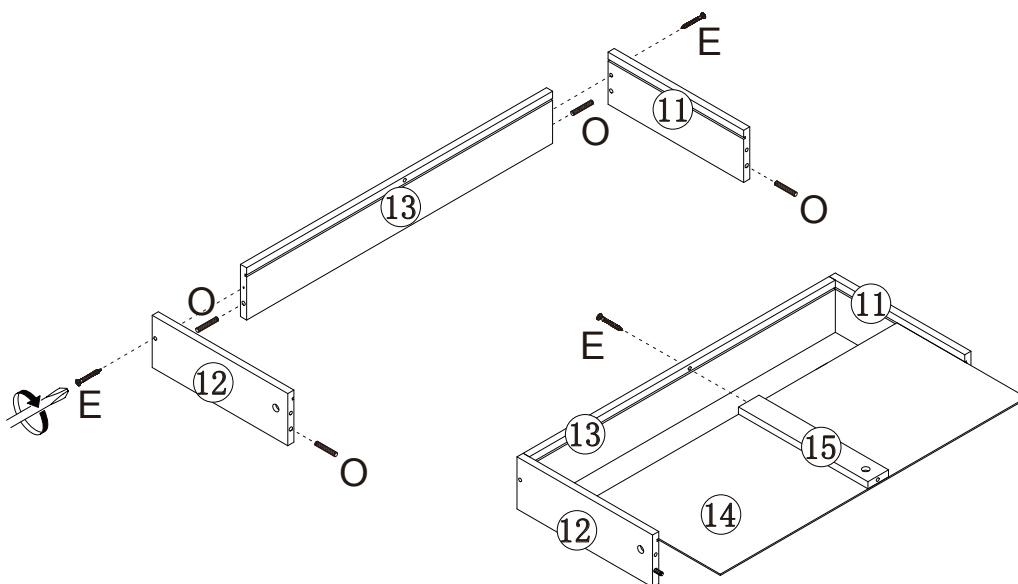


Fittings required



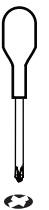
D x12

STEP 12

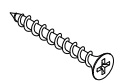


For this step:

Tools required



Fittings required

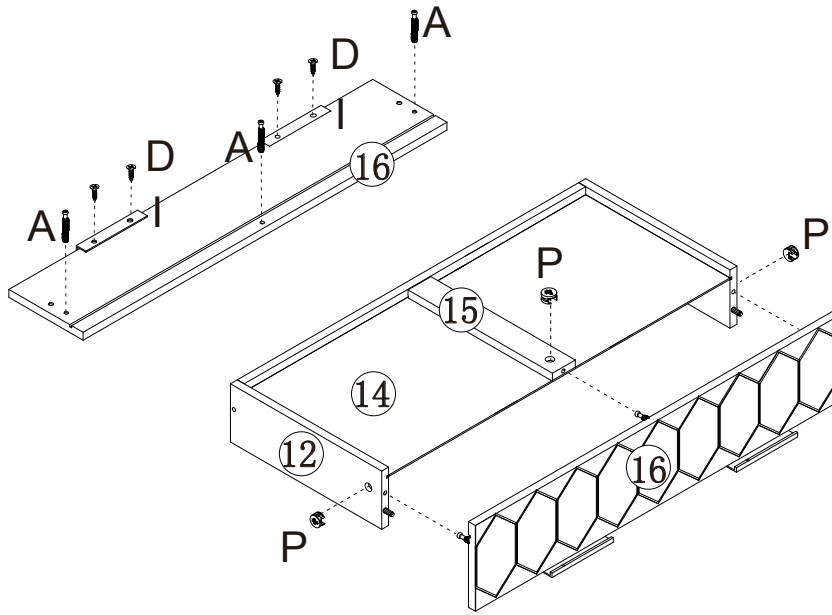


E x3



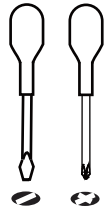
O x4

STEP 13



For this step:

Tools required



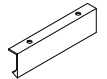
Fittings required



A x3



D x4

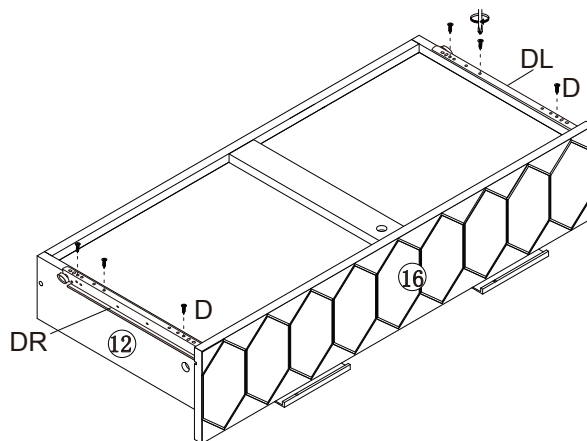
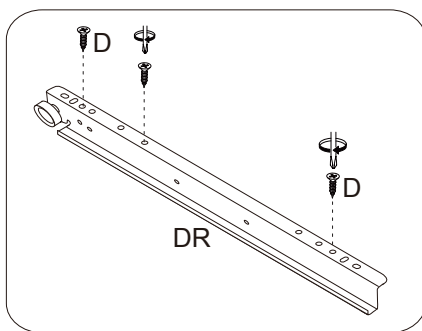


I x2



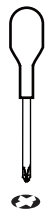
P x3

STEP 14



For this step:

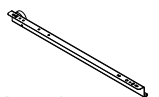
Tools required



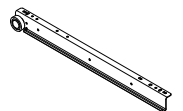
Fittings required



D x6



DL x1

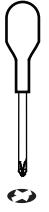


DR x1

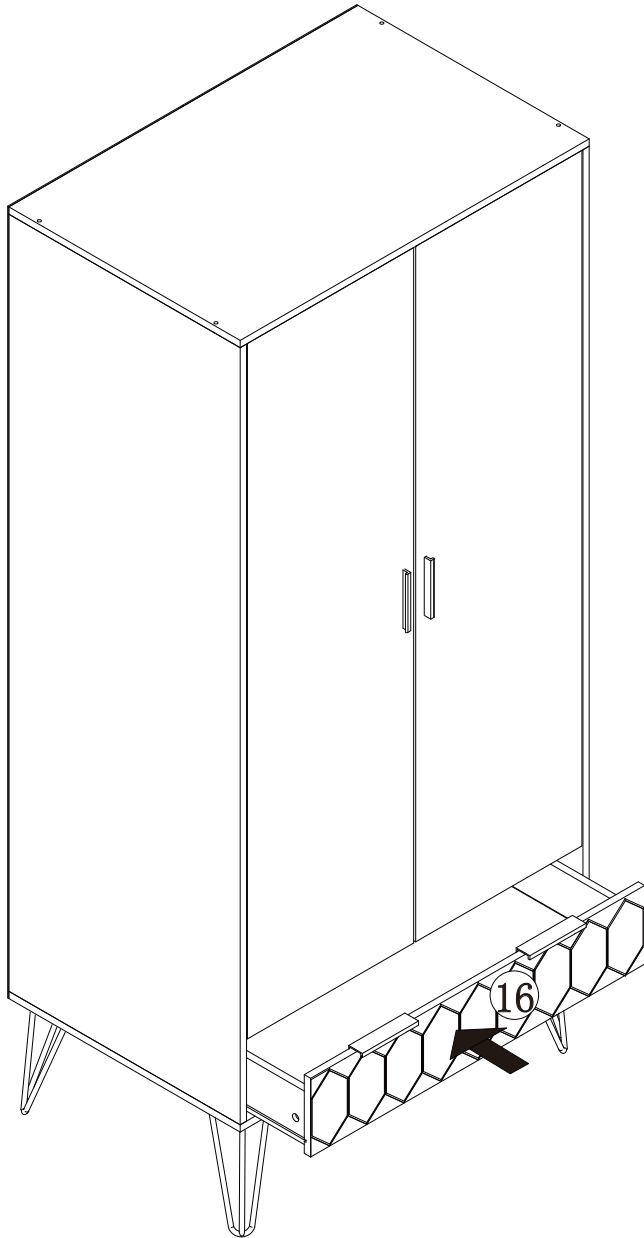
STEP 15

For this step:

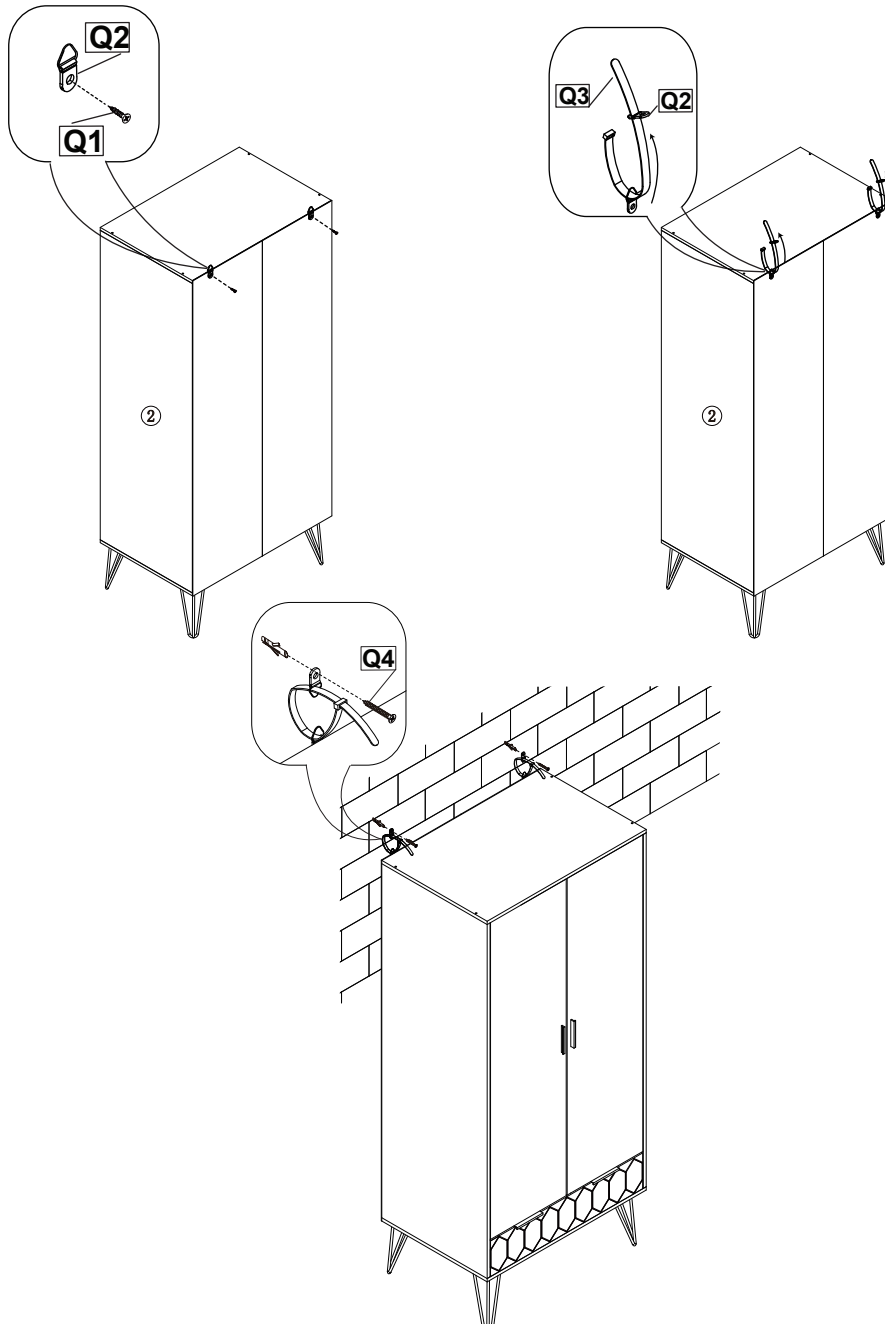
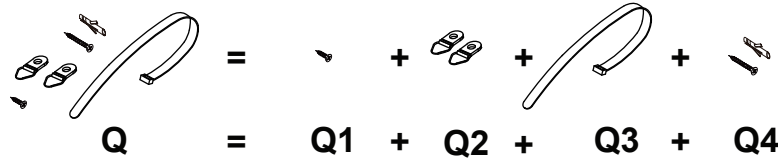
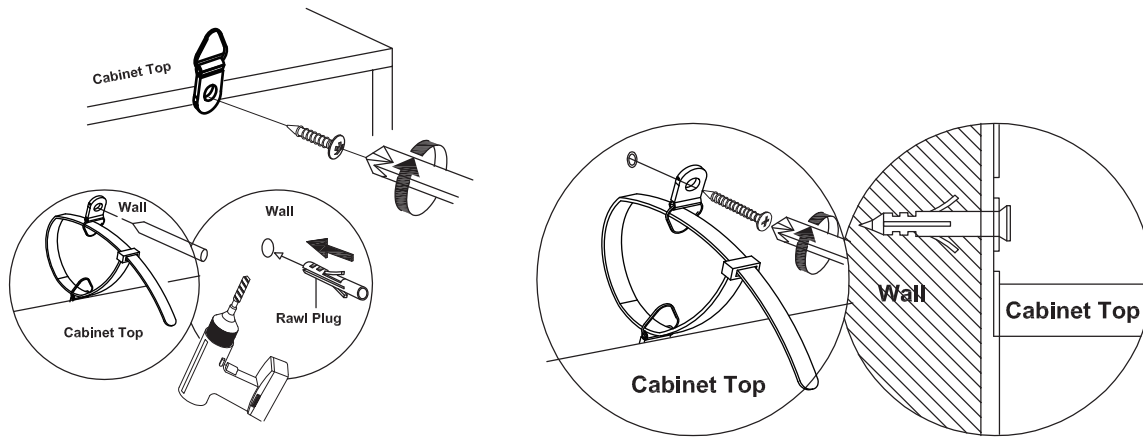
Tools required



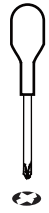
Fittings required



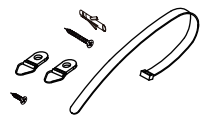
STEP 16



For this step:
Tools required



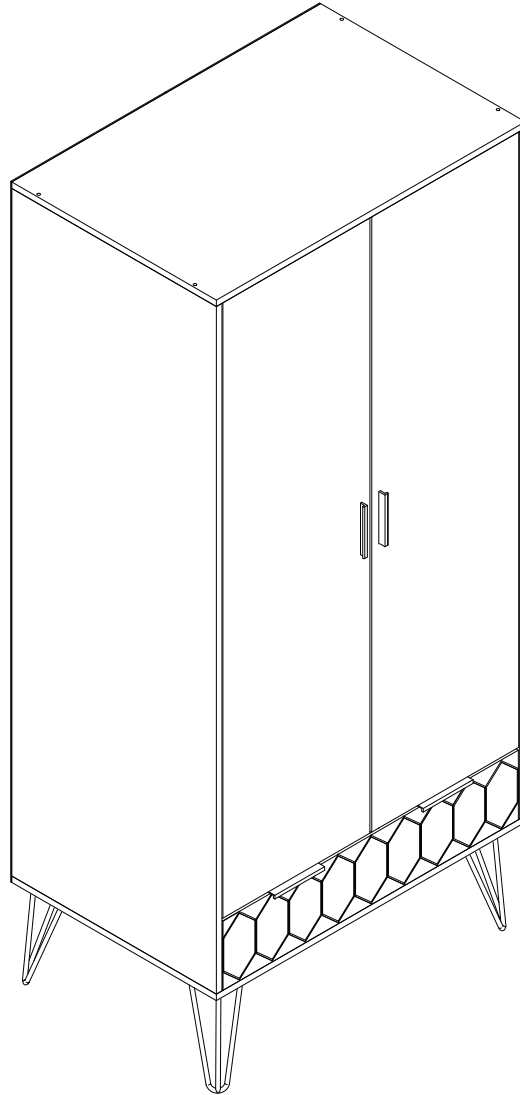
Fittings required



Q x2

Assembly Completed

Your ORLEANS 2 DOOR 1 DRAWER WARDROBE is now completely assembled. Periodically check to ensure that the components are in their proper position, free from damage. Also, make sure the connectors are tight and secure.



Keep instructions for future reference

