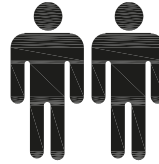


**CALI WALL SHELVES SET OF 3**  
Item code G-0018 / G-0019 / G-0022 / G-0023  
**Assembly Instruction**

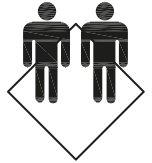
**15mins**

APPROXIMATE ASSEMBLY TIME

2 PEOPLE ASSEMBLY

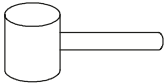


FLOOR AREA  
1Mx1M

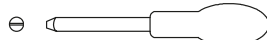


REQUIRED ASSEMBLY SPACE

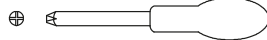
REQUIRED ASSEMBLY TOOLS



SOFT RUBBER HAMMER(NOT PROVIDED)



SLOTTED SCREWDRIVER(NOT PROVIDED)



POZI SCREWDRIVER(NOT PROVIDED)



MEASURING TAPE(NOT PROVIDED)

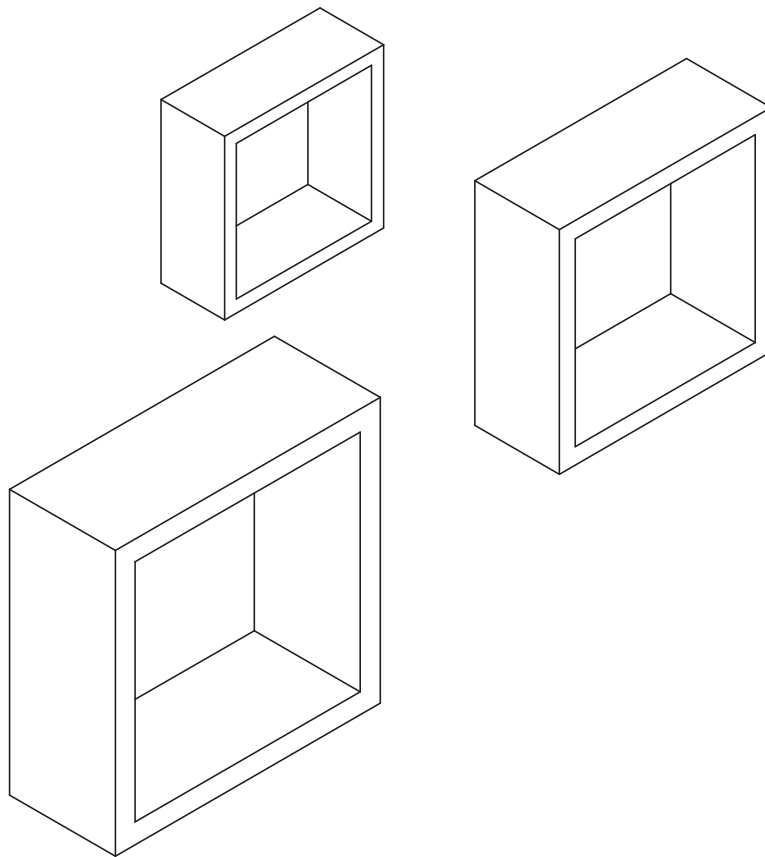


ELECTRIC DRILL(NOT PROVIDED)



LEVEL RULER (NOT PROVIDED)

ASSEMBLED DIMENSIONS

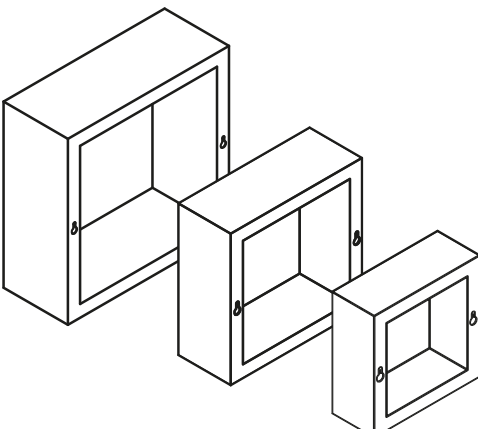
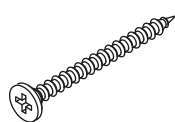
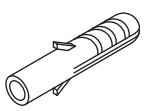


# CALI WALL SHELVES SET OF 3

Item code G-0018 / G-0019 / G-0022 / G-0023

## Assembly Instruction

### PART LIST

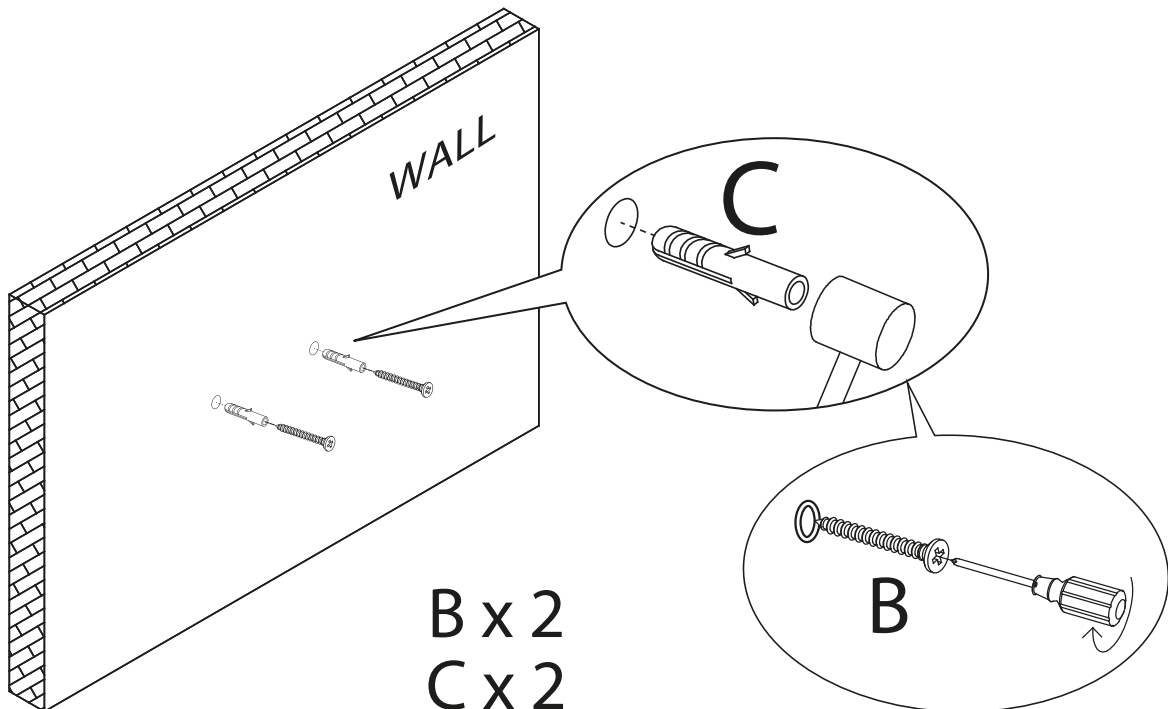
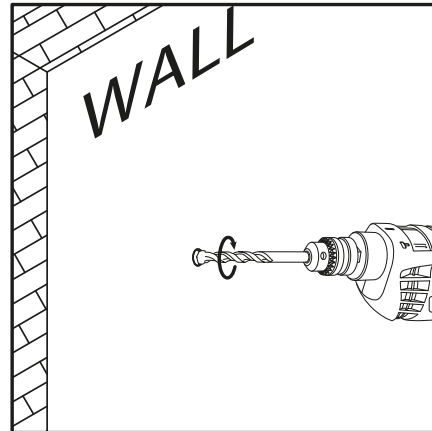
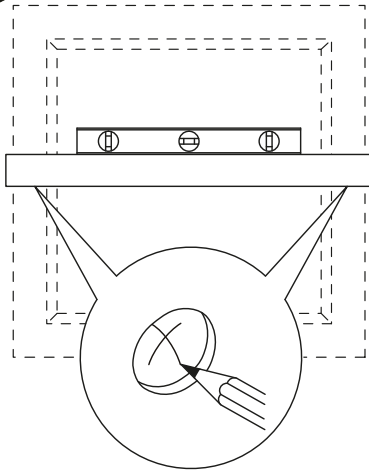
 <p><b>A</b> x1</p>	 <p>M3.5 x 40mm</p> <p><b>B</b> x6</p>	 <p><b>C</b> x6</p>

# CALI WALL SHELVES SET OF 3

Item code G-0018 / G-0019 / G-0022 / G-0023

## Assembly Instruction

### STEP 1

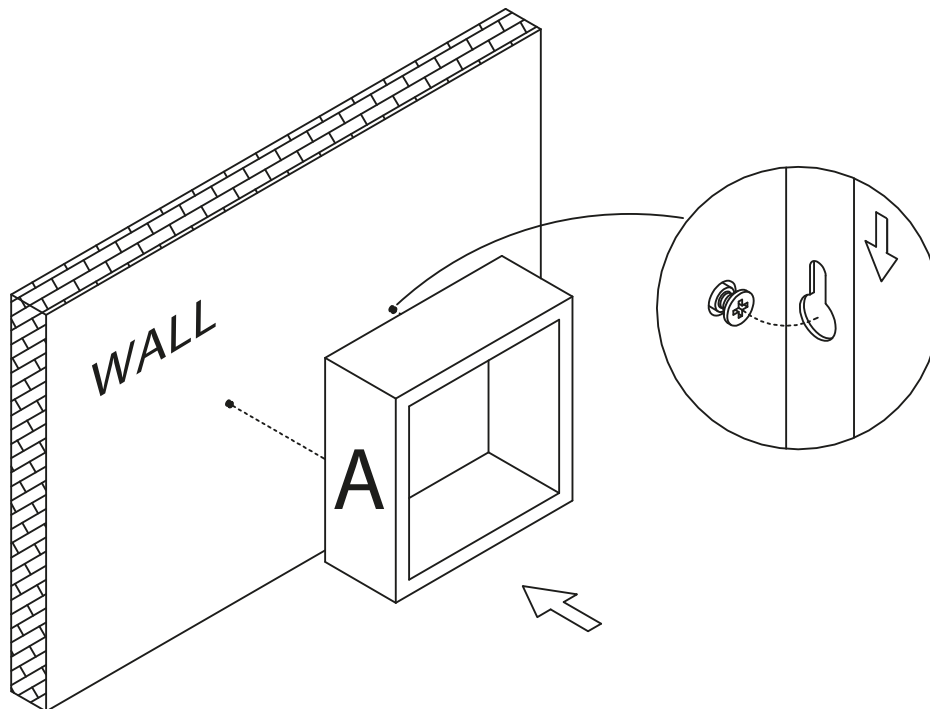


# CALI WALL SHELVES SET OF 3

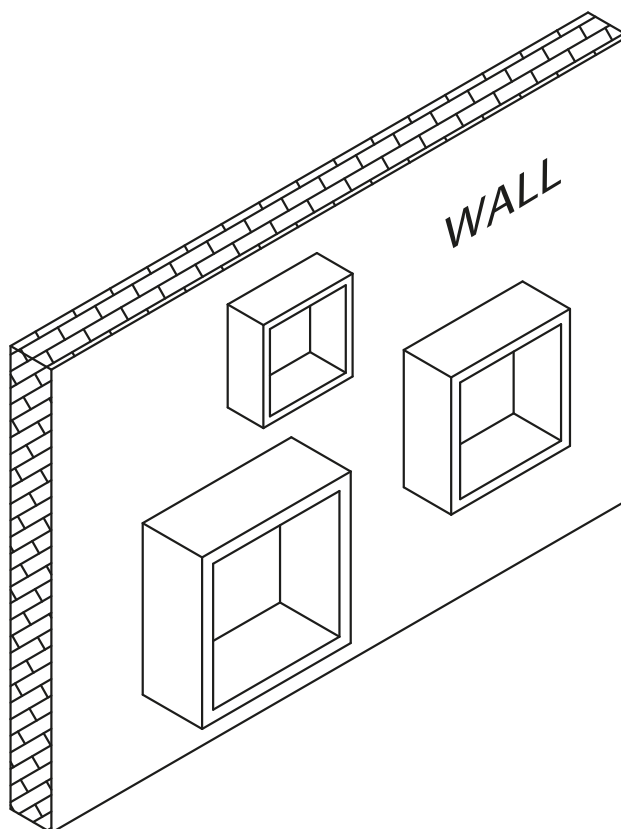
Item code G-0018 / G-0019 / G-0022 / G-0023

## Assembly Instruction

### STEP 2



### STEP 3



# CALI WALL SHELVES SET OF 3

Item code G-0018 / G-0019 / G-0022 / G-0023

## Assembly Instruction



### Safety Advice and Care Advice

KEEP ALL THE SAFETY ADVICE AND INSTRUCTIONS IN A SAFE PLACE FOR FUTURE REFERENCE!

**⚠ WARNING! RISK OF LOSS OF LIFE OR ACCIDENT TO INFANTS AND CHILDREN!** Never leave children unsupervised with the packaging materials. Danger of suffocation.

**⚠ CAUTION! RISK OF INJURY!** Make sure that all parts are undamaged and assembled correctly. Improper assembly carries a risk of injury. Damaged parts may affect the safety and function of the product.

- Make sure that this product is standing on a solid, level surface.

**⚠ CAUTION!** Do not leave children unsupervised! The product is not a climbing frame or a toy! Make sure that nobody, especially a child, climbs on or leans against the product.

- Distribute weight evenly across the product so that it cannot overturn.
- Do not load more than a total of 5kg per shelf onto the product, otherwise there is a risk of injury and/or damage to the product.
- Check that the product is stable before using it.
- Do not lift or move the product when it is loaded.
- Keep away from fire and inflammable objects.
- **Wipe clean with a damp cloth.**
- Make sure that all screws and fixings are secure before use.
- Do not place very hot or very cold items on the surface(s) unless adequately thick table mats are used.
- Please periodically check all fittings and re-tighten as necessary.
- Domestic use only.