

# SAXONY

## BATHROOM STORAGE UNIT ITEM CODE G-0063 & G-0544 ASSEMBLY INSTRUCTION

**20min**

APPROXIMATE ASSEMBLY TIME

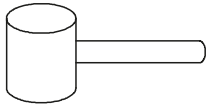
2 PEOPLE ASSEMBLY



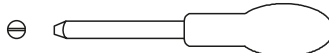
FLOOR AREA  
1MX1M



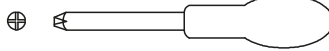
REQUIRED ASSEMBLY SPACE



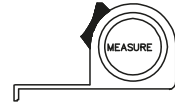
SOFT RUBBER HAMMER(NOT PROVIDED)



SLOTTED SCREWDRIVER(NOT PROVIDED)

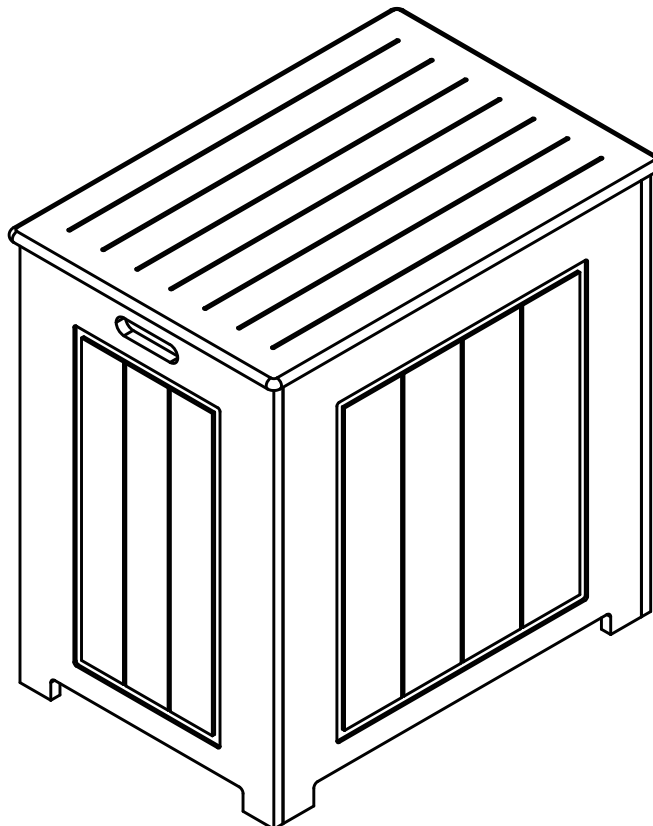


POZI SCREWDRIVER(NOT PROVIDED)



MEASURING TAPE(NOT PROVIDED)

### ASSEMBLED DIMENSIONS

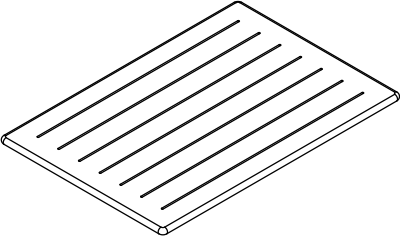
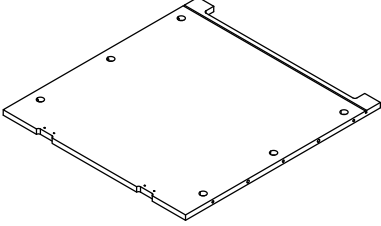
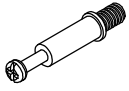
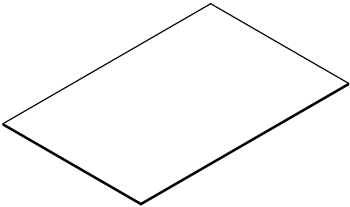
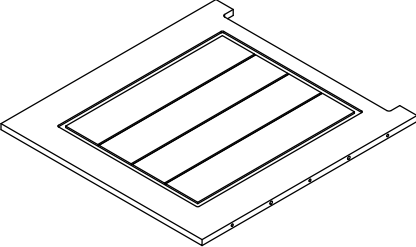

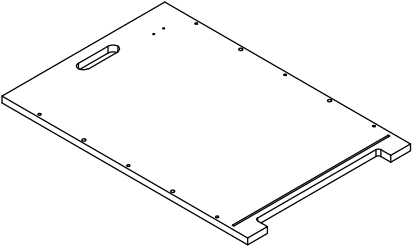
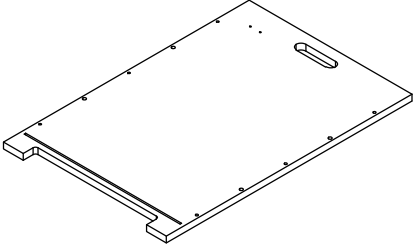


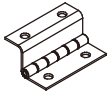
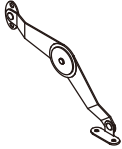
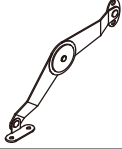


Max. Loading: 10kg

**1-10**

Made in China  
Manufactured for Gill HK Limited BD4 9SW  
[www.gillhk.com](http://www.gillhk.com)

# BATHROOM STORAGE UNIT ITEM CODE G-0063 & G-0544 ASSEMBLY INSTRUCTION

<p>A) 1PC</p> 	<p>D) 1PC</p> 	<p>G) 12PCS</p> 
<p>B) 1PC</p> 	<p>E) 1PC</p> 	<p>H) 12PCS</p> 
<p>C) 1PC</p> 	<p>F) 1PC</p> 	<p>I) 16PCS</p> 
		<p>J) 8PCS</p> 
		<p>K) 2PCS</p> 
		<p>L) 1PC</p> 
		<p>M) 1PC</p> 

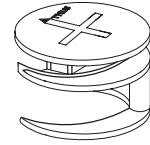
# BATHROOM STORAGE UNIT

## ITEM CODE G-0063 & G-0544

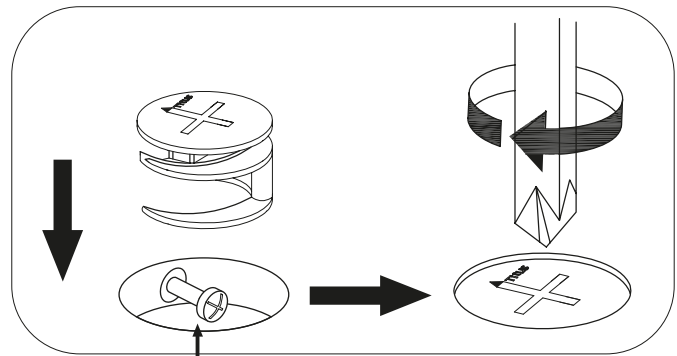
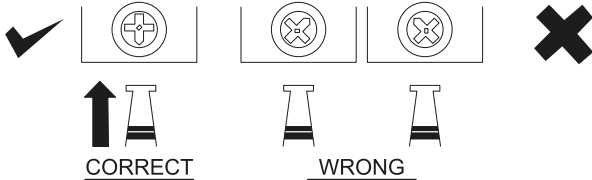
### ASSEMBLY INSTRUCTION

## SPECIAL TIPS FOR FITTING CAM-LOCKS AND QUICKFIT

CAM-LOCK



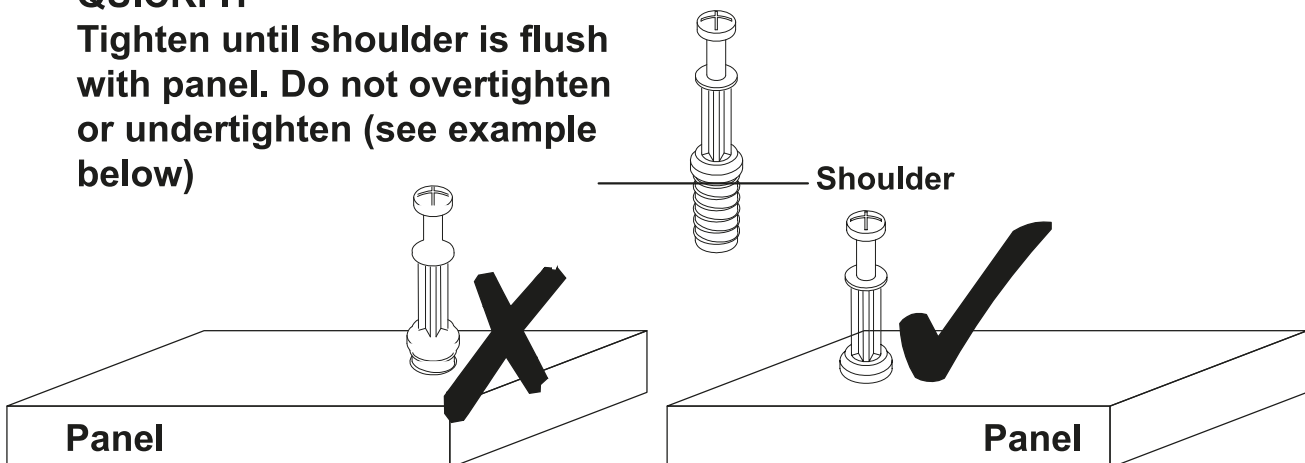
WHEN FITTING CAMLOCK  
ENSURE STARTING POSITION IS CORRECT  
BEFORE YOU INSERT CONNECTING QUIRKFIT  
TURN CLOCKWISE UNTIL SECURE



Quickfit head needs to be in centre

### QUICKFIT

Tighten until shoulder is flush with panel. Do not overtighten or undertighten (see example below)

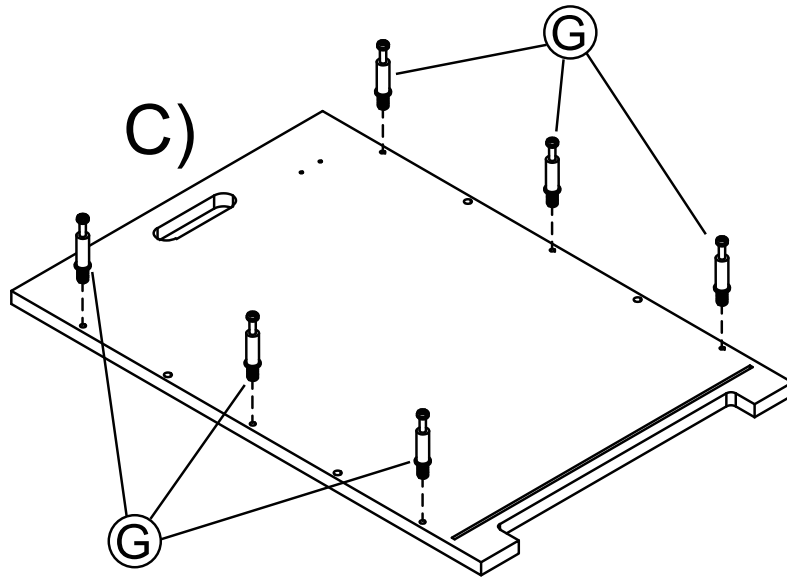


# BATHROOM STORAGE UNIT

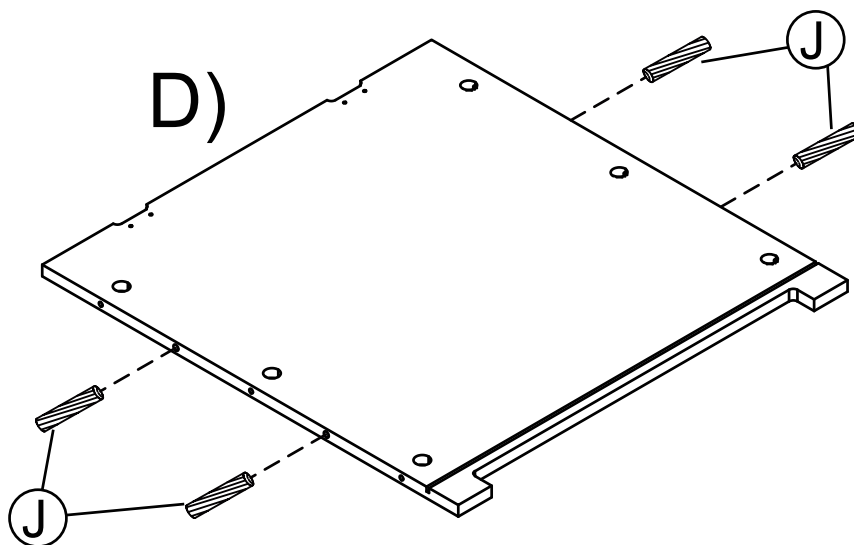
## ITEM CODE G-0063 & G-0544

### ASSEMBLY INSTRUCTION

#### STEP 1

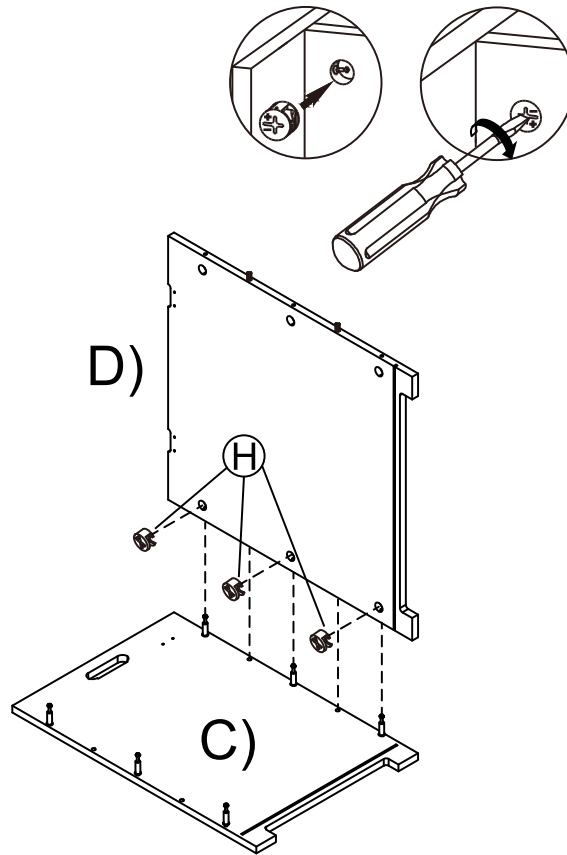


#### STEP 2

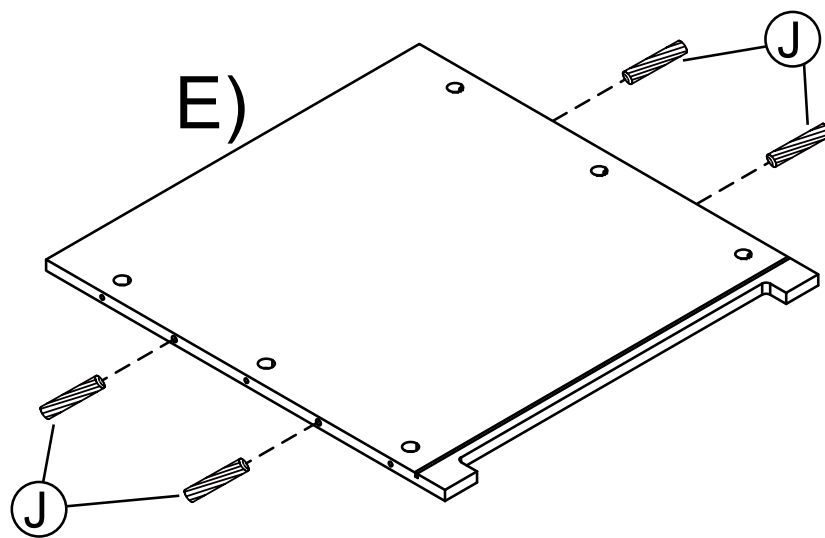


# BATHROOM STORAGE UNIT ITEM CODE G-0063 & G-0544 ASSEMBLY INSTRUCTION

## STEP 3

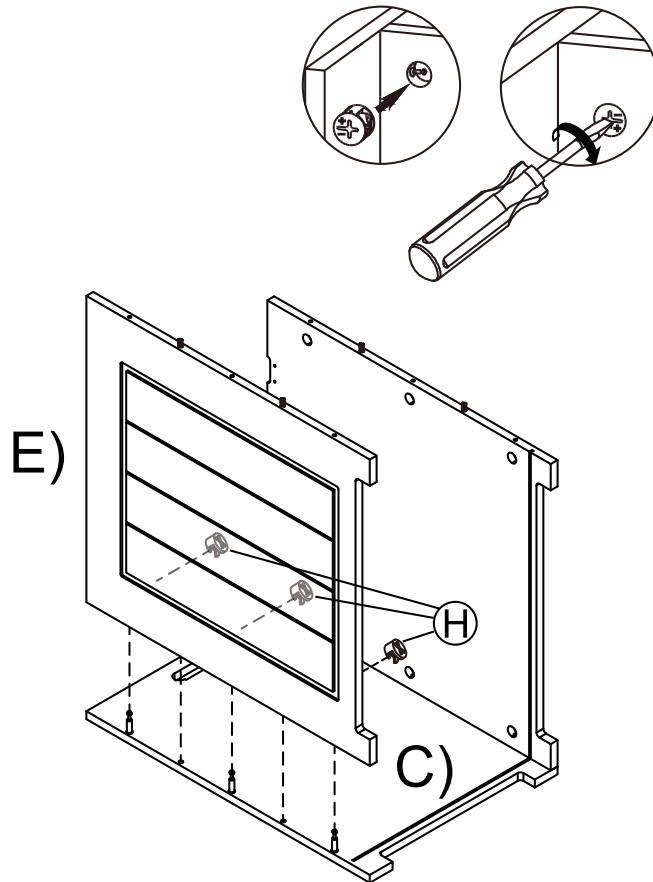


## STEP 4

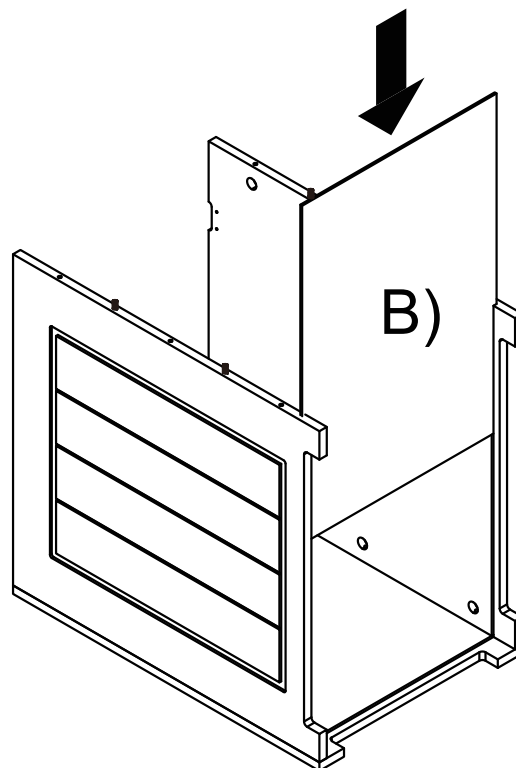


# BATHROOM STORAGE UNIT ITEM CODE G-0063 & G-0544 ASSEMBLY INSTRUCTION

## STEP 5



## STEP 6

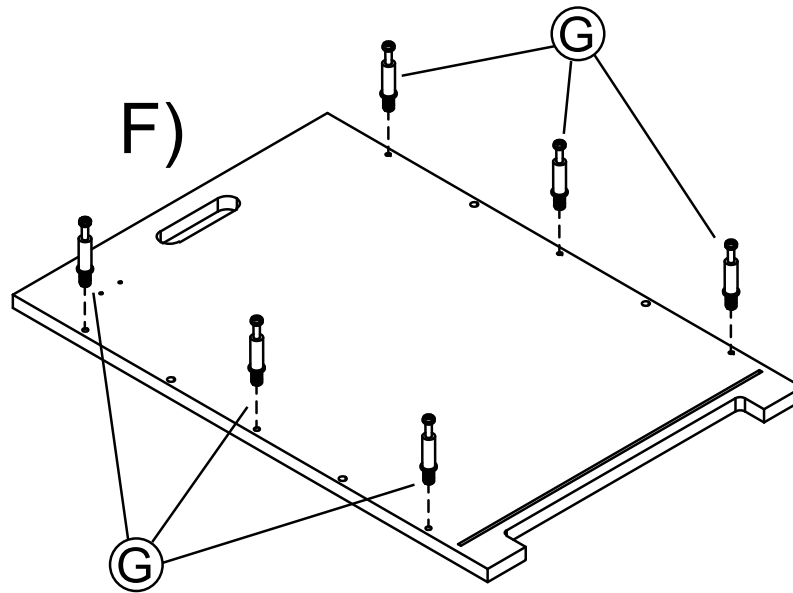


# BATHROOM STORAGE UNIT

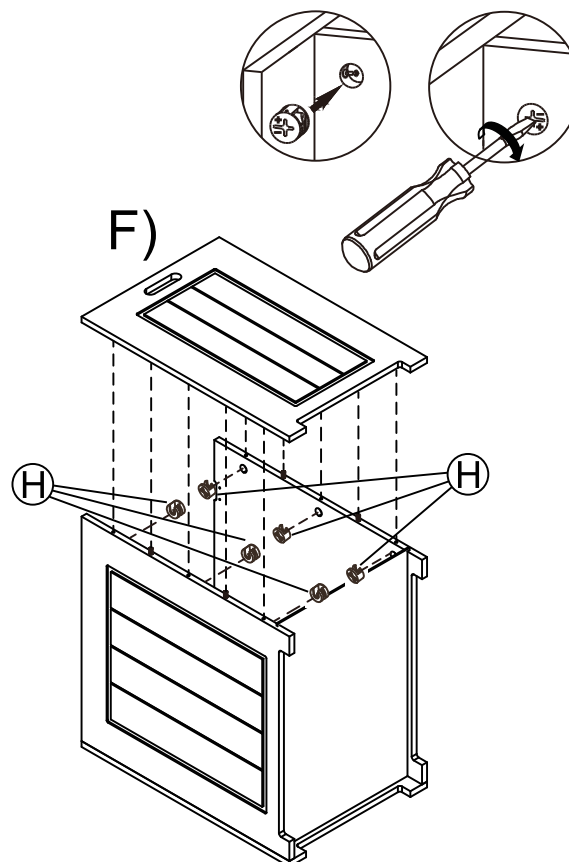
## ITEM CODE G-0063 & G-0544

### ASSEMBLY INSTRUCTION

#### STEP 7



#### STEP 8



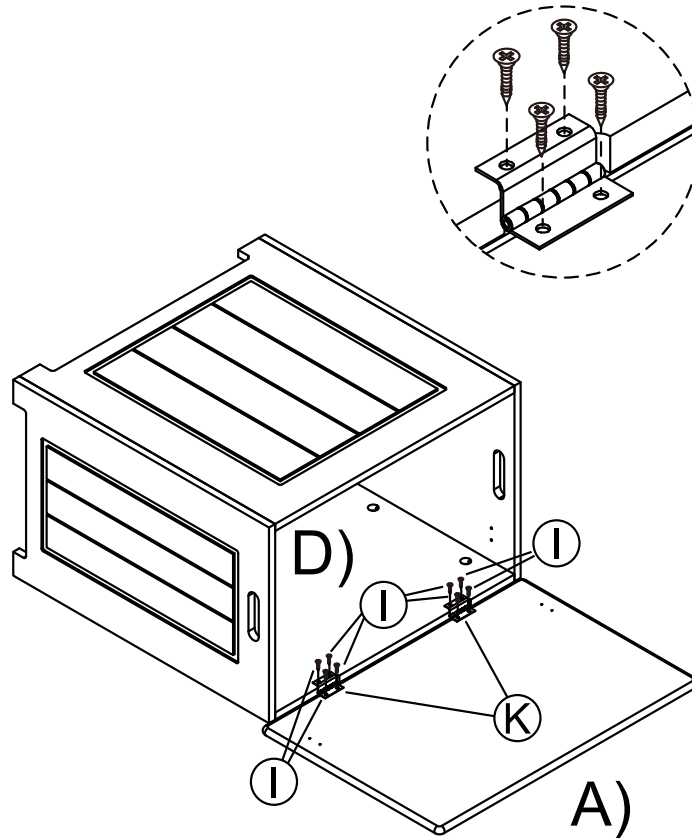
Max. Loading: 10kg

7-10

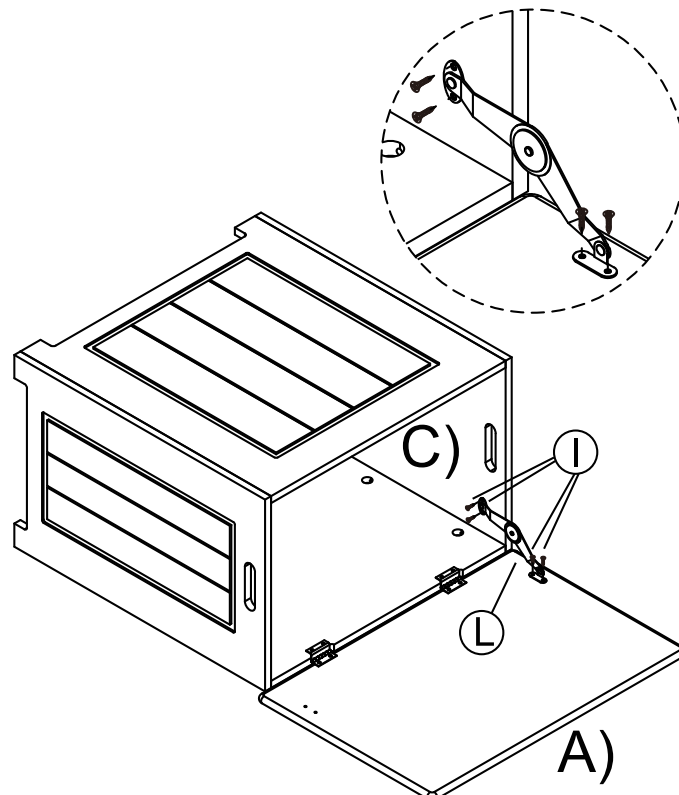
Made in China  
Manufactured for Gill HK Limited BD4 9SW  
[www.gillhk.com](http://www.gillhk.com)

# BATHROOM STORAGE UNIT ITEM CODE G-0063 & G-0544 ASSEMBLY INSTRUCTION

## STEP 9

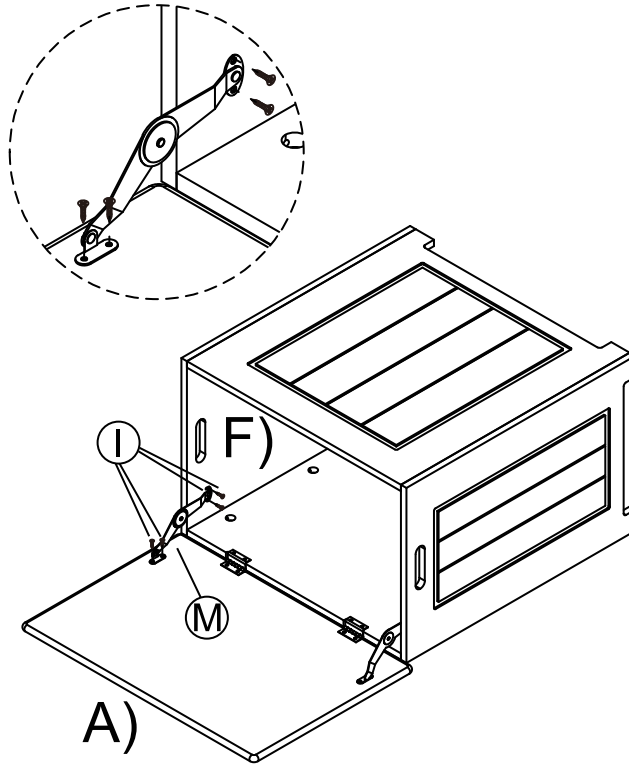


## STEP 10

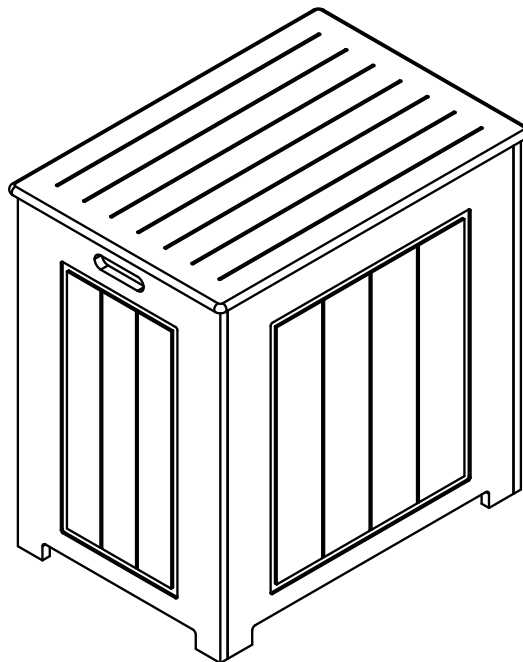


# BATHROOM STORAGE UNIT ITEM CODE G-0063 & G-0544 ASSEMBLY INSTRUCTION

## STEP 11



## STEP 12



# BATHROOM STORAGE UNIT

## ITEM CODE G-0063 & G-0544

### ASSEMBLY INSTRUCTION



#### Safety Advice and Care Advice

KEEP ALL THE SAFETY ADVICE AND INSTRUCTIONS IN A SAFE PLACE FOR FUTURE REFERENCE!



#### **WARNING! RISK OF LOSS OF LIFE OR ACCIDENT**

**TO INFANTS AND CHILDREN!** Never leave children unsupervised with the packaging materials. Danger of suffocation.



**CAUTION! RISK OF INJURY!** Make sure that all parts are undamaged and assembled correctly. Improper assembly carries a risk of injury. Damaged parts may affect the safety and function of the product.

- Adult assembly required.
- Power tools are not recommended for this product.
- Make sure that this product is stable & used only on a solid & flat surface.
- Do not use this product unless all screws and fixings are secure firmly secured.
- Do not leave children unsupervised! The product is not a climbing frame or a toy!
- Do not stand, sit or lean on this product
- Do not use this product as a step ladder or as a chopping surface.
- Do not lift or move the product when it is loaded.
- Do not load more than a total of 10kg onto the unit, otherwise there is a risk of injury and/or damage to the product
- Distribute weight evenly across the product so that it cannot overturn.
- Do not place hot items such as coffee cups directly on the surface(s) unless adequately thick table mats are used.
- Please periodically check all fittings and re-tighten as necessary.
- For Indoor & Domestic use only.

#### **Care instructions:**

- Wipe clean with a dry cloth.
- Do not use scourers, abrasive or chemical solvents.
- Keep away from moisture and direct sunlight.
- Keep away from fire and inflammable objects.
- Store in a dry place.