

SAXONY

3 SHELVES CORNER WALL UNIT ITEM CODE: G-0064 & G-0320 ASSEMBLY INSTRUCTION

30 mins

APPROXIMATE ASSEMBLY TIME

1 PERSON ASSEMBLY

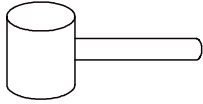


FLOOR AREA
1MX1M

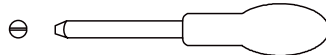


REQUIRED ASSEMBLY SPACE

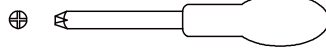
REQUIRED ASSEMBLY TOOLS



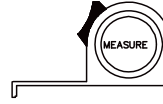
SOFT RUBBER HAMMER(NOT PROVIDED)



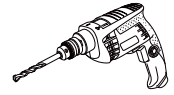
SLOTTED SCREWDRIVER(NOT PROVIDED)



POZI SCREWDRIVER(NOT PROVIDED)

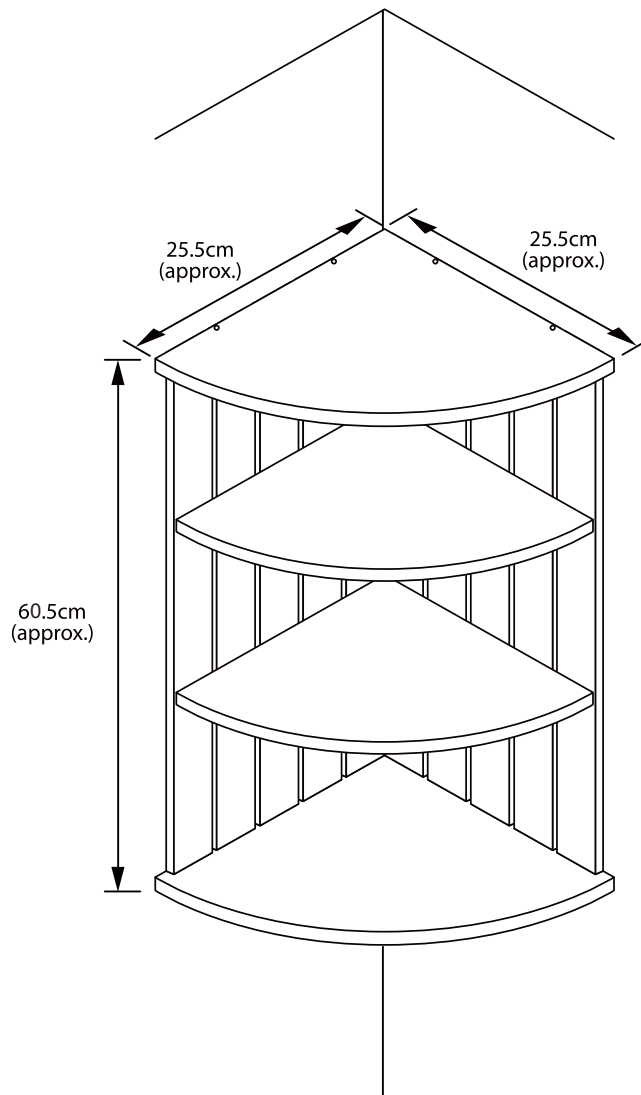


MEASURING TAPE(NOT PROVIDED)



ELECTRIC DRILL(NOT PROVIDED)

ASSEMBLED DIMENSIONS



Max. Loading :10.5kg (3.5kg per shelf)

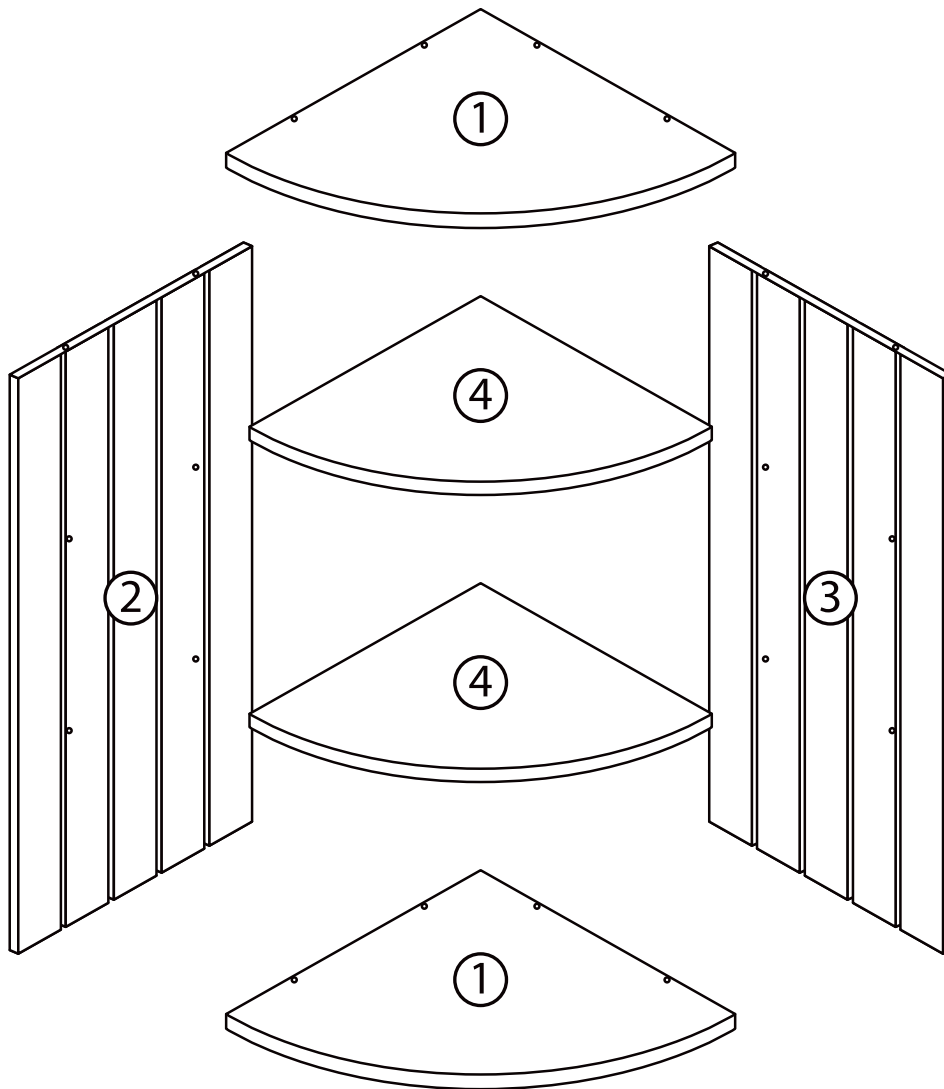
1-4




Made in China
Manufactured for Gill HK Limited BD4 9SW
www.gillhk.com

3 SHELVES CORNER WALL UNIT

ITEM CODE: G-0064 & G-0320

ASSEMBLY INSTRUCTION



A		x 18
B		x 4
C		x 4

Max. Loading :10.5kg (3.5kg per shelf)

2-4

Made in China
Manufactured for Gill HK Limited BD4 9SW
www.gillhk.com

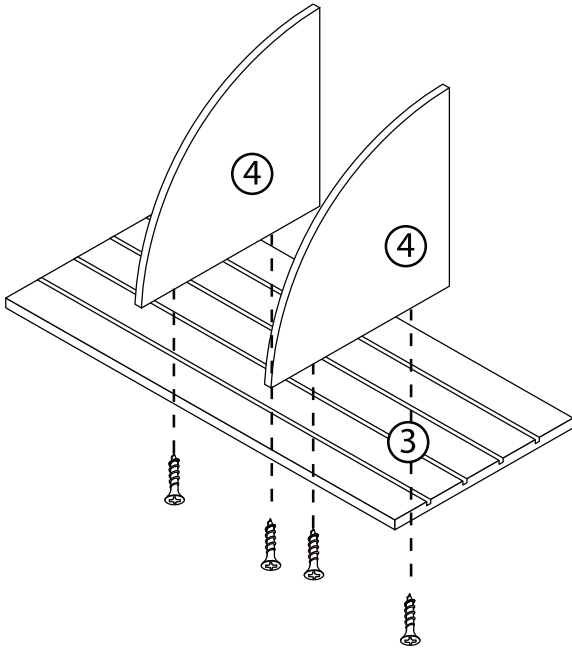
3 SHELVES CORNER WALL UNIT

ITEM CODE: G-0064 & G-0320

ASSEMBLY INSTRUCTION

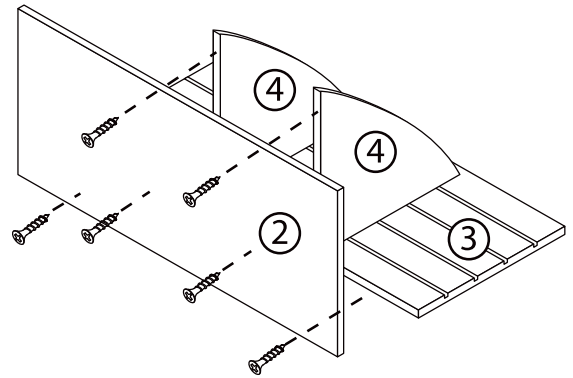
1

A  x 4



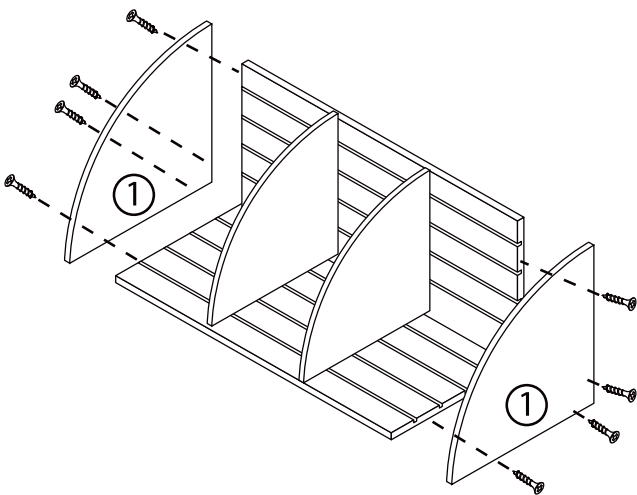
2

A  x 6



3

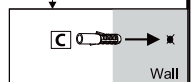
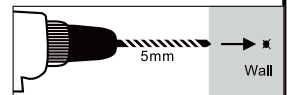
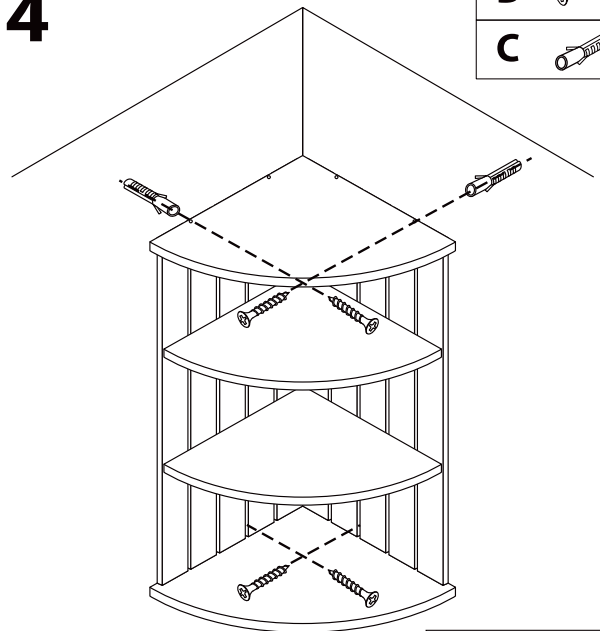
A  x 8



4

B  x 4

C  x 4



Max. Loading :10.5kg (3.5kg per shelf)

3-4

Made in China
Manufactured for Gill HK Limited BD4 9SW
www.gillhk.com

3 SHELVES CORNER WALL UNIT

ITEM CODE: G-0064 & G-0320

ASSEMBLY INSTRUCTION



Safety Advice and Care Advice

KEEP ALL THE SAFETY ADVICE AND INSTRUCTIONS IN A SAFE PLACE FOR FUTURE REFERENCE!

⚠ WARNING! RISK OF LOSS OF LIFE OR ACCIDENT

TO INFANTS AND CHILDREN! Never leave children unsupervised with the packaging materials. Danger of suffocation.

⚠ CAUTION! RISK OF INJURY! Make sure that all parts are undamaged and assembled correctly. Improper assembly carries a risk of injury. Damaged parts may affect the safety and function of the product.

- Make sure that this product is fixed on vertical wall securely and install shelves that are level.
- ⚠ **CAUTION!** Do not leave children unsupervised! The product is not a climbing frame or a toy! Make sure that nobody, especially a child, climbs on or leans against the product.
- Distribute weight evenly across the product so that it cannot overturn.
- Do not load more than a total of 10.5kg (3.5kg per shelf) onto the product, otherwise there is a risk of injury and/or damage to the product.
- Check that the product is stable before using it.
- Do not lift or move the product when it is loaded.
- Keep away from fire and inflammable objects.
- **Wipe clean with a damp cloth.**
- Make sure that all screws and fixings are secure before use.
- Do not place very hot or very cold items on the surface(s) unless adequately thick table mats are used.
- Please periodically check all fittings and re-tighten as necessary.
- Domestic use only.

