

BREAKFAST BAR SET
ITEM CODE: G-0075
Assembly Instruction

30 mins

APPROXIMATE ASSEMBLY TIME



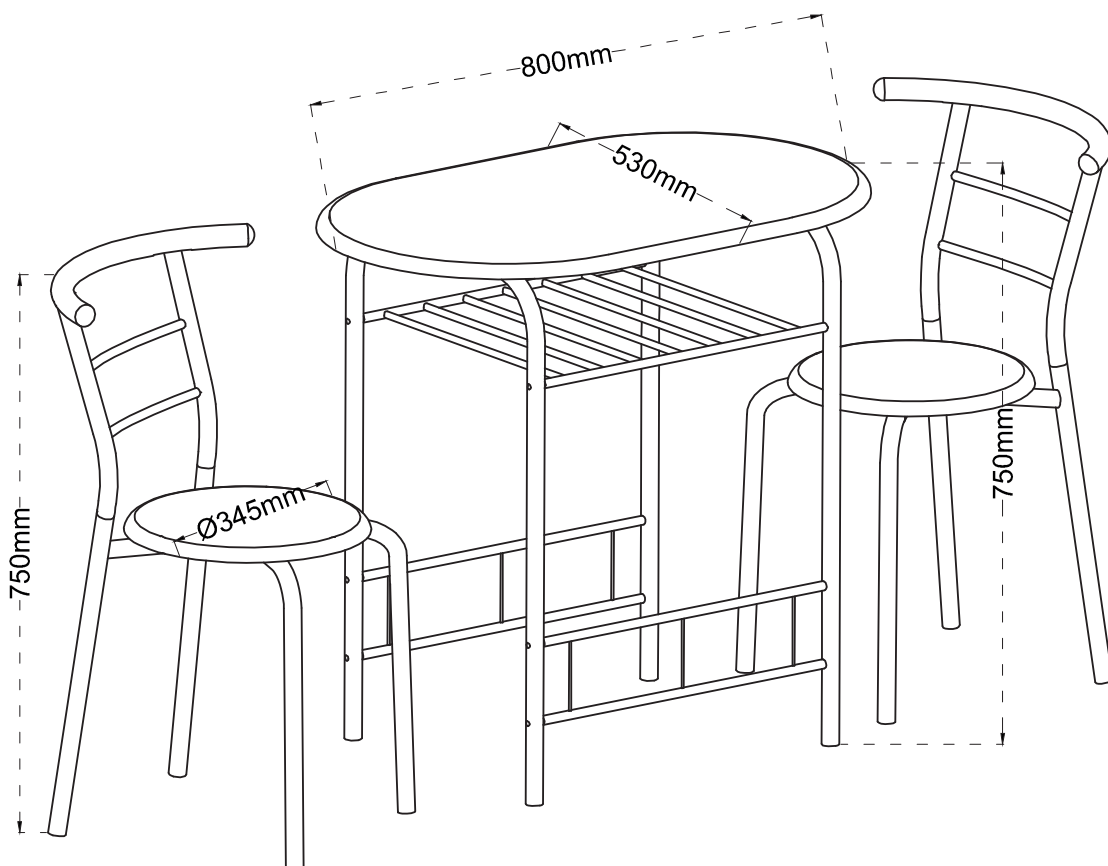
2 PEOPLE ASSEMBLY

FLOOR AREA
2Mx2M



REQUIRED ASSEMBLY SPACE

ASSEMBLED DIMENSIONS



Max. Loading :
 Table: 50 kg / Chair: 80 kg

1-6

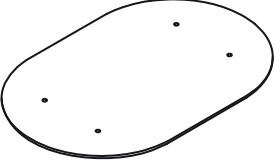

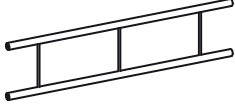
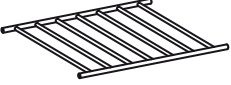
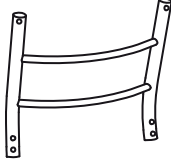

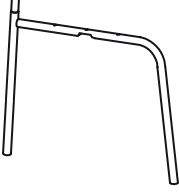

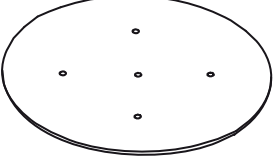

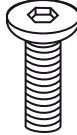
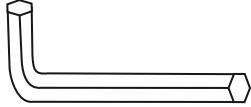
Made in China
 Manufactured for Gill HK Limited BD4 9SW
www.gillhk.com

BREAKFAST BAR SET

ITEM CODE: G-0075

Assembly Instruction

MATERIAL LIST

A  X1	B  X2	C  X2
D  X1	E  X2	F  X2
G  X2	H  X2	I  X2
1  M6*32mm X26	2  M6*12mm X12	3  4mm X1

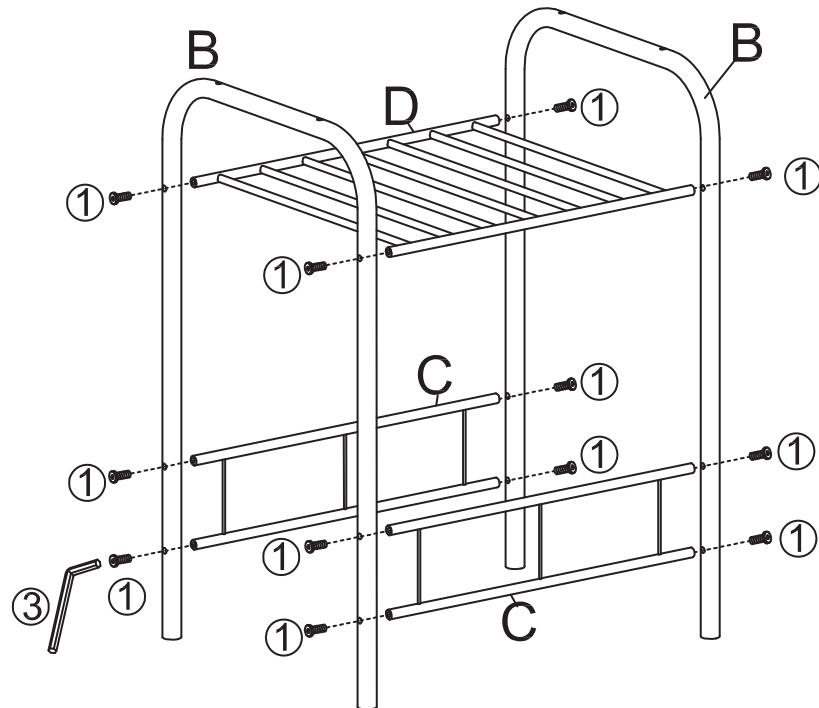
Max. Loading :
Table: 50 kg / Chair: 80 kg

BREAKFAST BAR SET

ITEM CODE: G-0075

Assembly Instruction

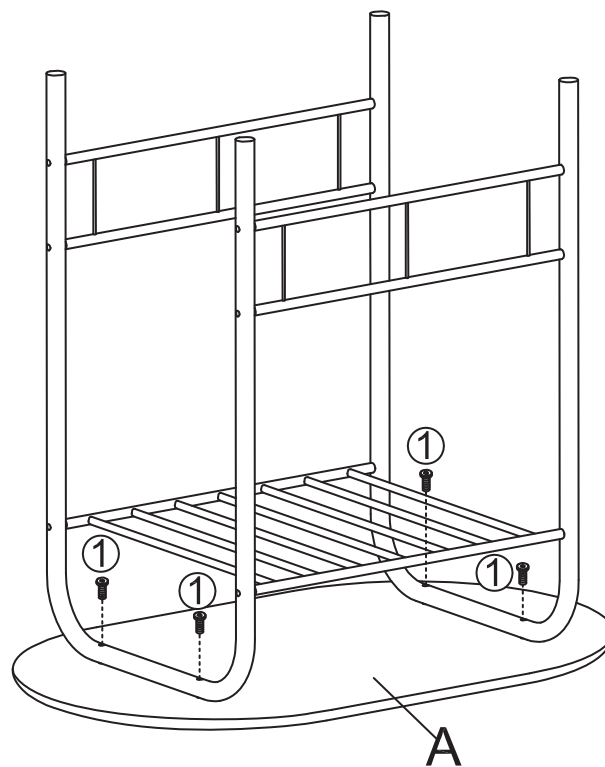
STEP 1



⚠ don't need to tighten the screw

Please tight screws 40%

STEP 2



Please fully tight the screws

Max. Loading :
Table: 50 kg / Chair: 80 kg

3-6

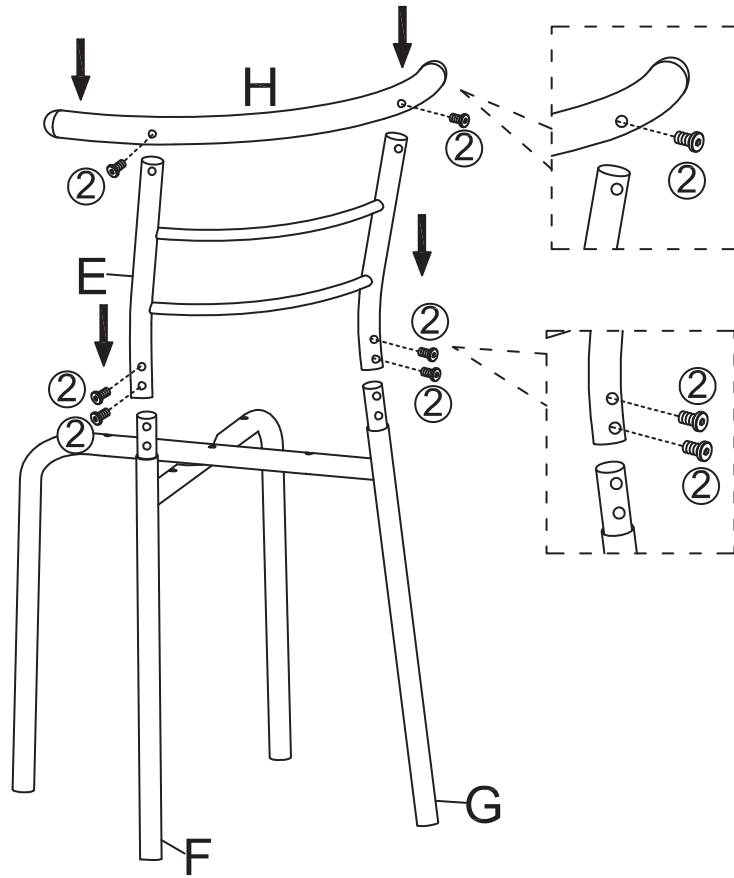
Made in China
Manufactured for Gill HK Limited BD4 9SW
www.gillhk.com

BREAKFAST BAR SET

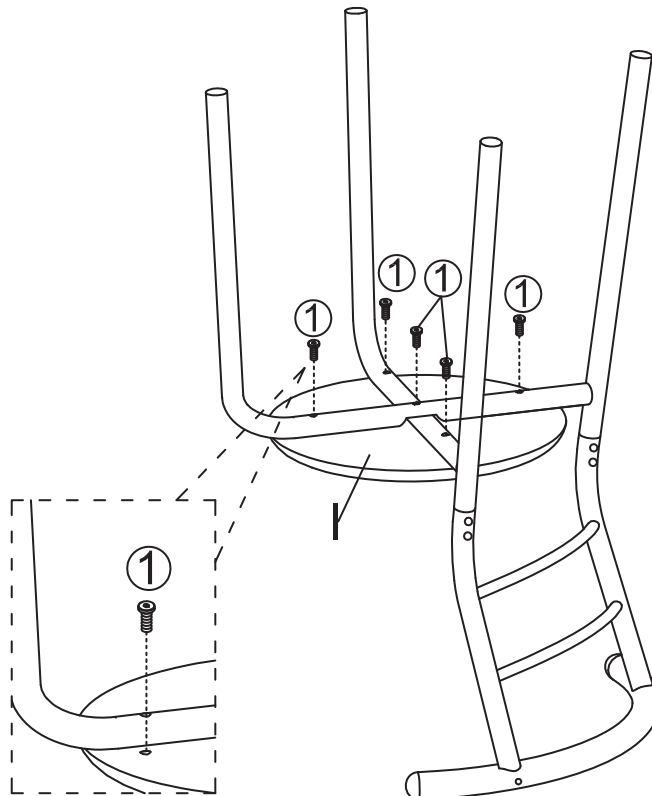
ITEM CODE: G-0075

Assembly Instruction

STEP 3



STEP 4



Max. Loading :
Table: 50 kg / Chair: 80 kg

BREAKFAST BAR SET

ITEM CODE: G-0075

Assembly Instruction

IMPORTANT: PLEASE RETAIN THIS INSTRUCTION MANUAL FOR FUTURE REFERENCE. PLEASE READ CAREFULLY.

WARNING

This item is not for commercial use.

Maximum Loading Capacity is 80kg for chair and 50kg for table.

Two people are required to assemble this item. Assemble this item on a flat, solid and even surface.

Make sure that all the necessary pieces are in the carton before starting the assembly.

Do not use furniture if any parts are missing or broken.

Do not leave children unattended.

This item is not a climbing frame or toy.

Never leave children unsupervised with the packaging materials.

Danger of suffocation. Keep out of reach of children.

CLEAN AND CARE

- Do not use, or leave out, in adverse weather conditions (including wind and rain), or during the winter months.
- Damp wipe only and dry naturally.
- Please ensure furniture is dry before storing.
- Periodically ensure all the screws and fixings are secure and the item is stable.
- We strongly advise covering up or storing away your furniture when not in use to protect it from the elements and accidental damage.
- Keep away from fire.

Max. Loading :
Table: 50 kg / Chair: 80 kg

5-6

Made in China
Manufactured for Gill HK Limited BD4 9SW
www.gillhk.com

BREAKFAST BAR SET

ITEM CODE: G-0075

Assembly Instruction

Top Tips before you start!

1. Please check that all parts are present before you start the assembly of your furniture.
2. For ease and speed of assembly, we recommend that before you commence each step of the assembly, that you identify all the parts required for that step.
3. For larger items, please ensure that you have sufficient space and people (as indicated on page 1) to assemble your product safely
4. For the protection of your furniture, we recommend that the product is placed on a protected surface during assembly to prevent any damage.
5. During assembly please take care not to over-tighten any fittings, as this may damage the product.
6. Always place the product on a flat, steady and stable surface.
7. Do not stand on the product. Do not use the product as a stepladder.
8. This product is intended for indoor, household use only as it is non industrial product.
9. Please do not kneel on any part of this product during assembly.

Max. Loading :
Table: 50 kg / Chair: 80 kg

6-6

Made in China
Manufactured for Gill HK Limited BD4 9SW
www.gillhk.com