

SAXONY

GLITTER COATING TOILET SEAT

Item Code: G-0078 / G-0079 / G-0080

Assembly Instruction

30mins

APPROXIMATE ASSEMBLY TIME

1 PEOPLE ASSEMBLY



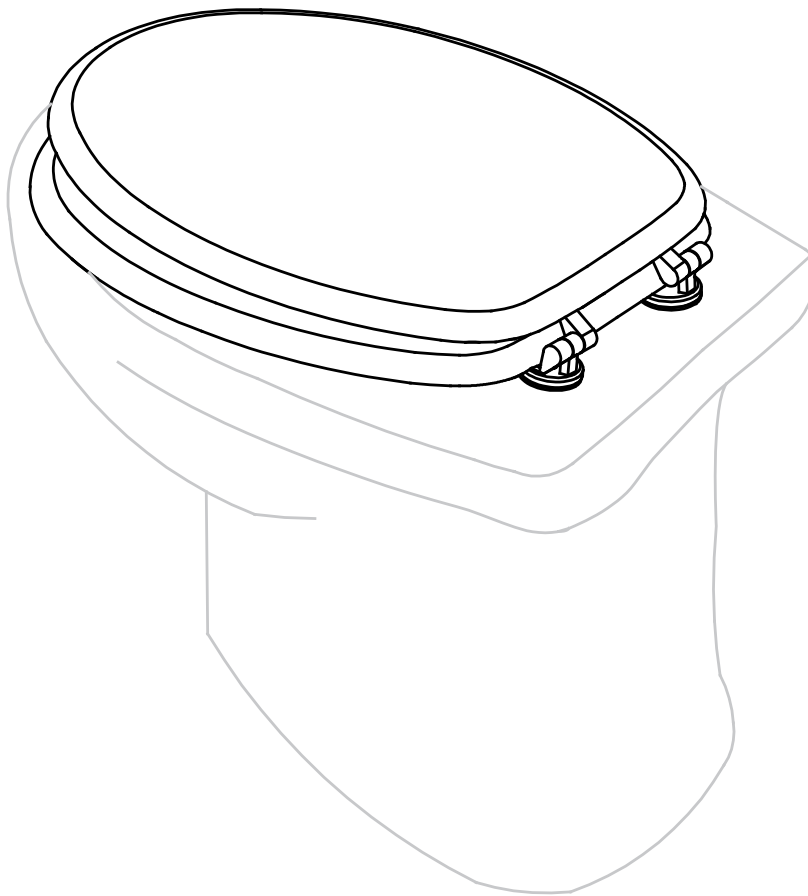
FLOOR AREA
1.5M x 1.5M



REQUIRED ASSEMBLY SPACE

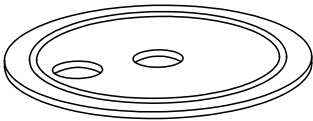
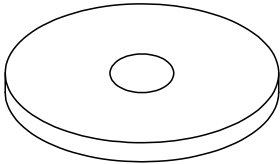
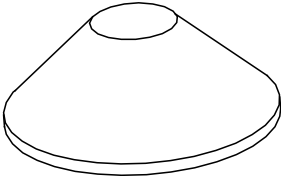
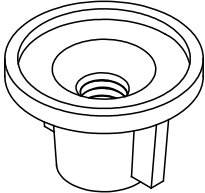
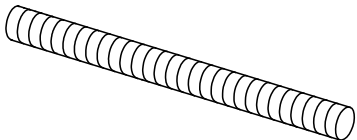
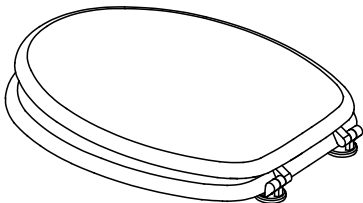
REQUIRED ASSEMBLY TOOLS

ASSEMBLED DIMENSIONS



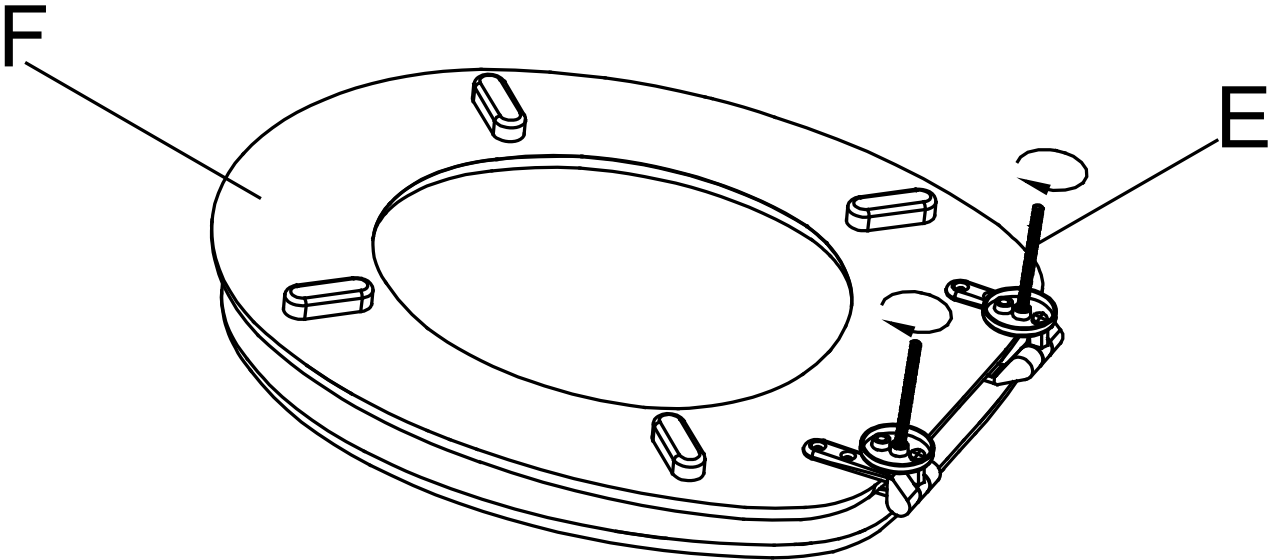
GLITTER COATING TOILET SEAT
Item Code: G-0078 / G-0079 / G-0080
Assembly Instruction

PART LIST

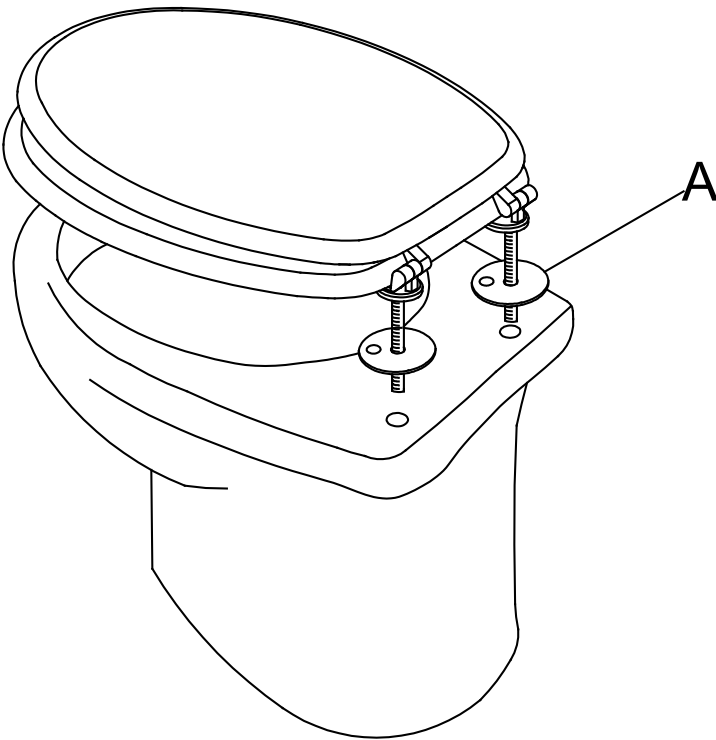
<p>A</p>  <p>x 2 pcs</p>	<p>B</p>  <p>x 2 pcs</p>
<p>C</p>  <p>x 2 pc</p>	<p>D</p>  <p>x 2 pcs</p>
<p>E</p>  <p>x 2 pcs</p>	<p>F</p>  <p>x 1 pcs</p>

GLITTER COATING TOILET SEAT
Item Code: G-0078 / G-0079 / G-0080
Assembly Instruction

STEP 1



STEP 2

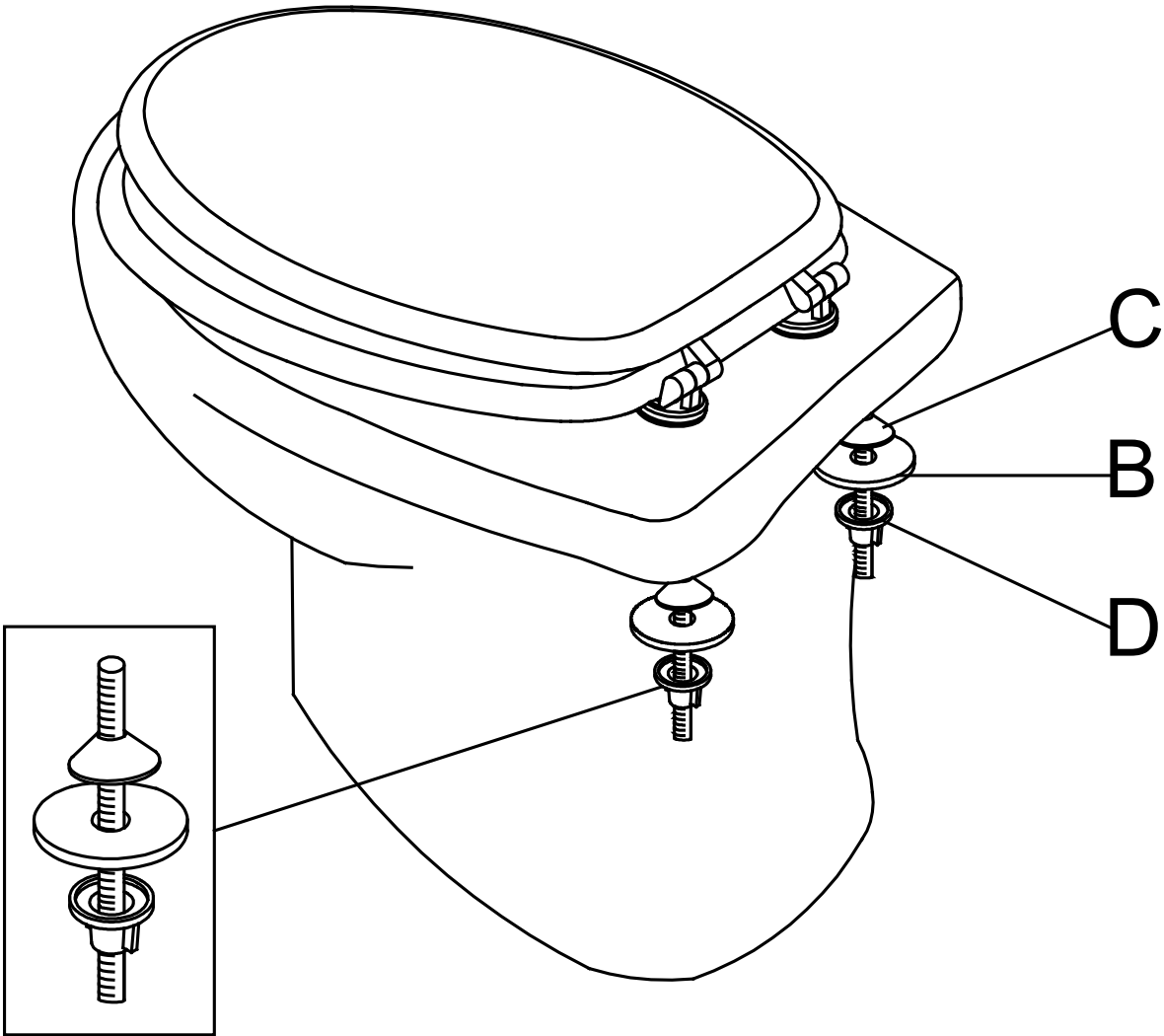


GLITTER COATING TOILET SEAT

Item Code: G-0078 / G-0079 / G-0080

Assembly Instruction

STEP 3



- Ensure all parts correctly assembled. Incorrect assembly poses the risk of injury. Damaged part may affect safety and function.
- Do not stand on the toilet seat. It could break apart, resulting in injury.