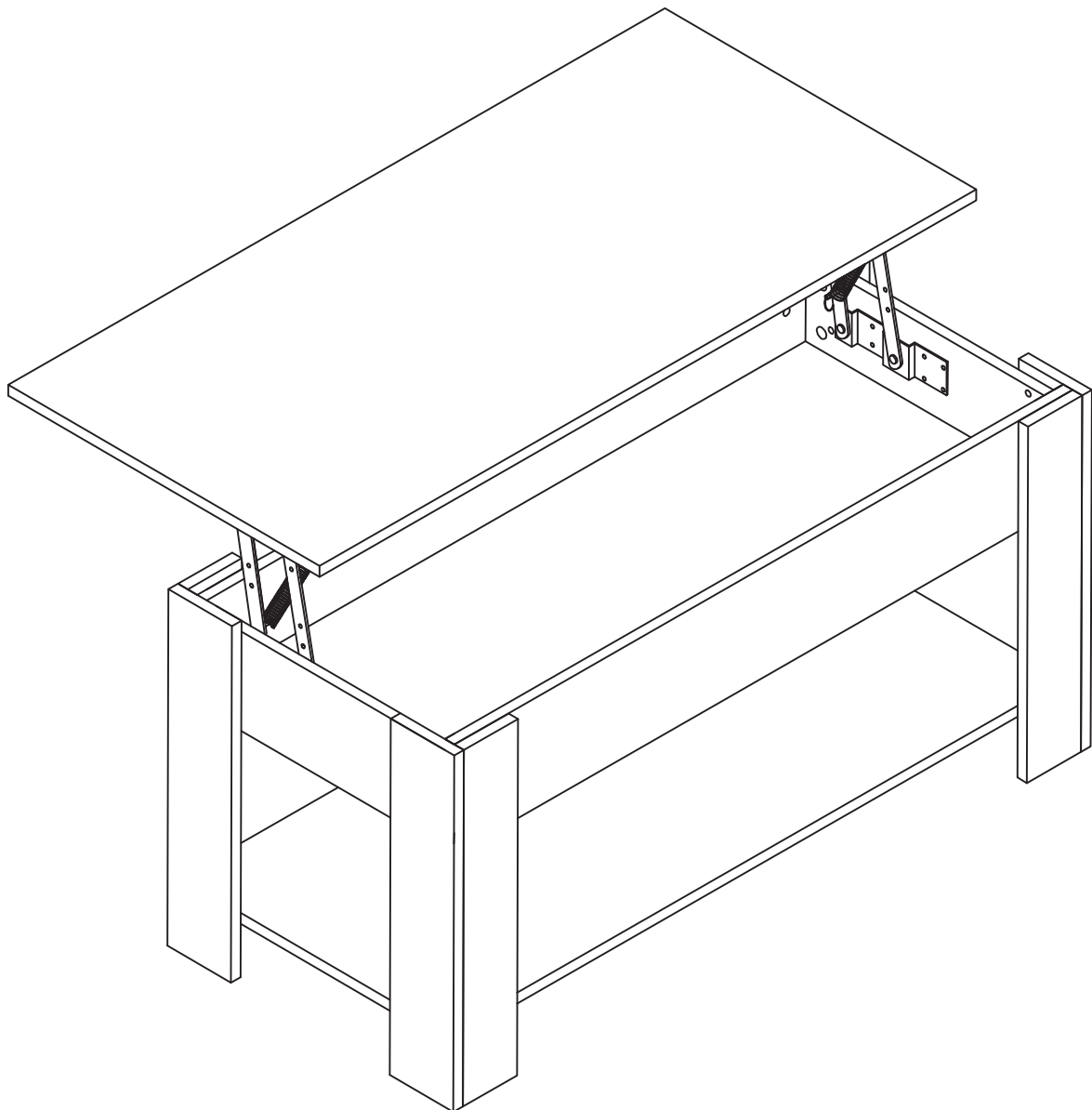
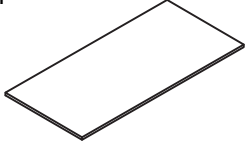
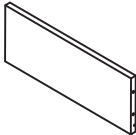
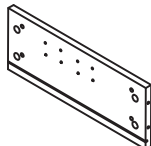
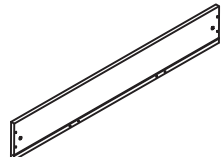
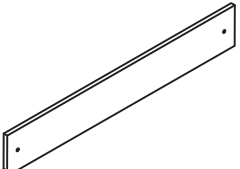

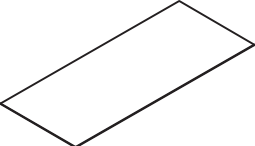




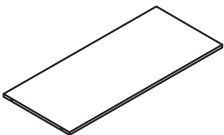
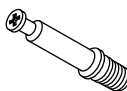



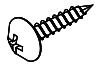
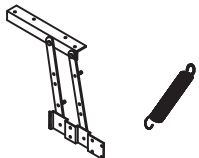
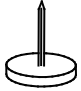
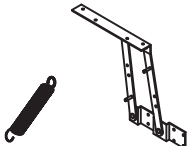


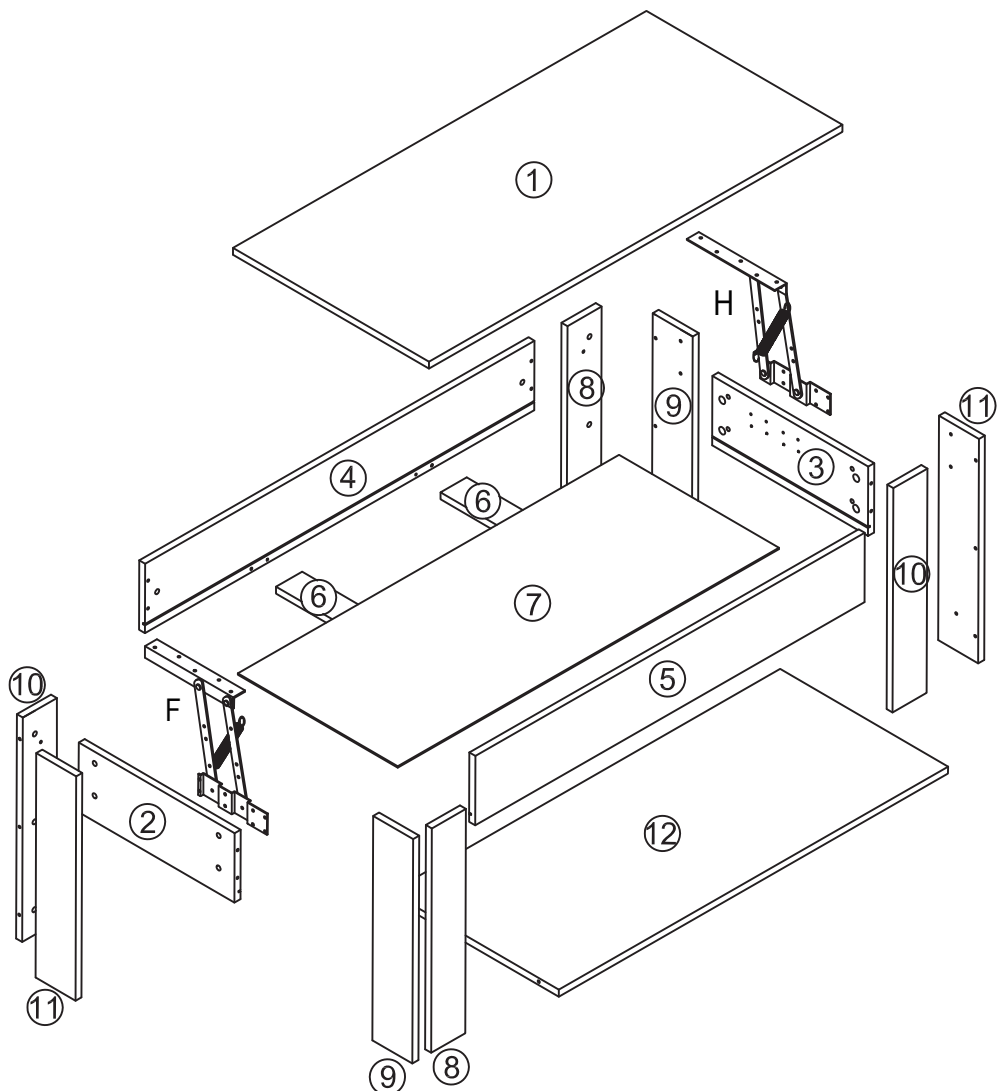


Item No : G-0085
Imported by Gill HK Limited
www.spotondealz.com

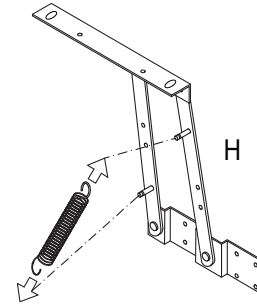
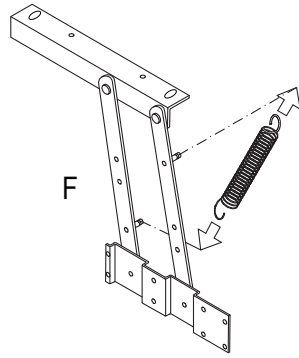
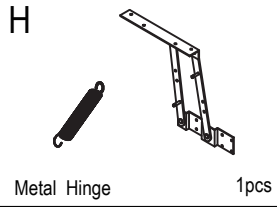
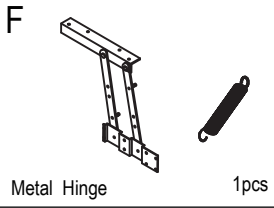


PART LIST

1  Top Panel 1 pc	2  Left Side Panel 1 pc	3  Right Side Panel 1 pc	4  Back Panel 1 pc	5  Front Panel 1 pc
6  Bar 2 pcs	7  Base Panel 1 pc	8  Side Panel 2 pcs	9  Side Panel 2 pcs	10  Leg Panel 2 pcs
11  Leg Panel 2 pcs	12  Shelf Panel 1 pc	A  Pin 28 pcs	B  Cam Lock 28 pcs	C  Wooden Dowel 4 pcs
D  Screw 12 pcs	E  Screw 24 pcs	F  Metal Hinge 1 pcs	G  nail 8 pcs	H  Metal Hinge 1 pcs

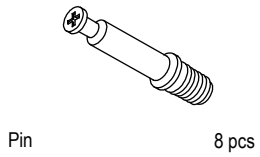


1

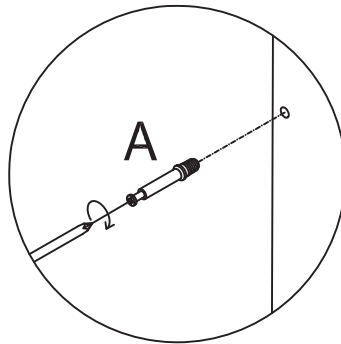


A

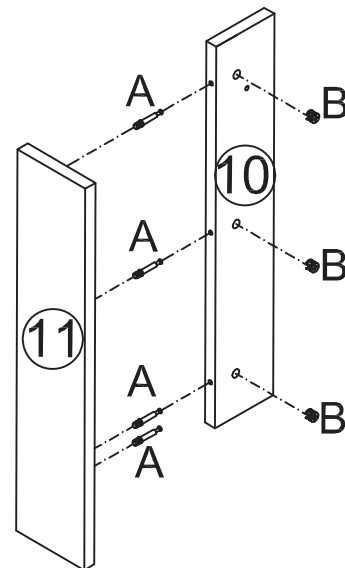
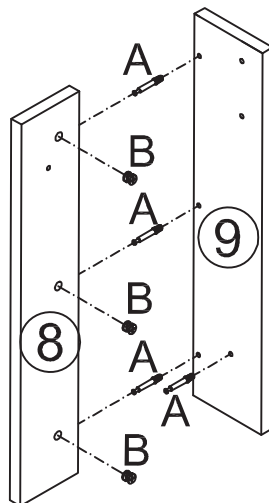
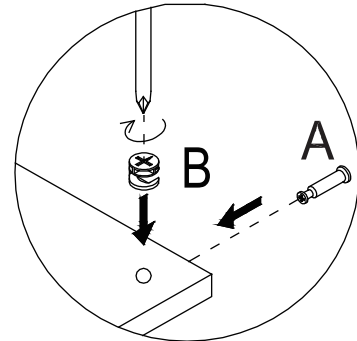
2



01



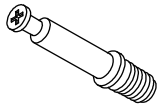
02



x 2

3

A



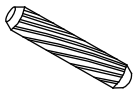
Pin 6 pcs

B

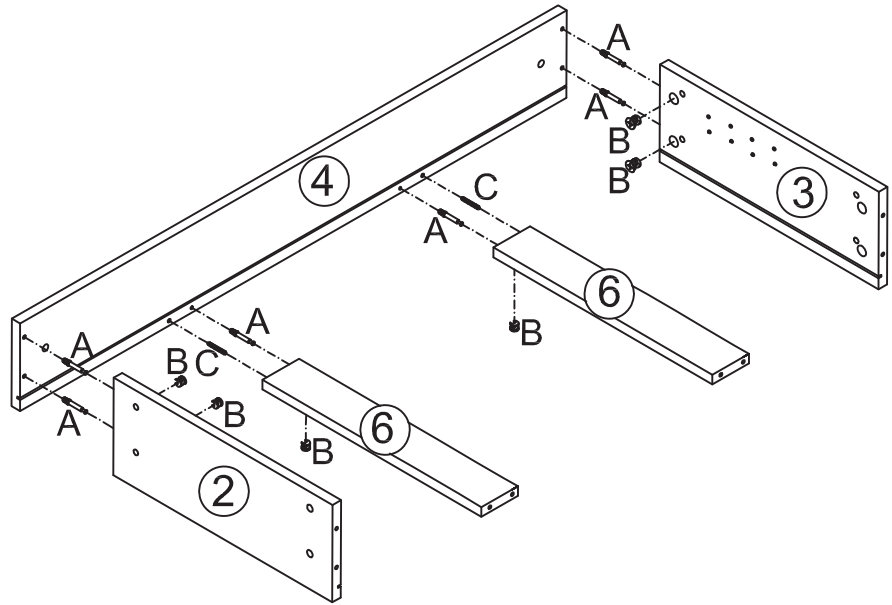


Cam Lock 6 pcs

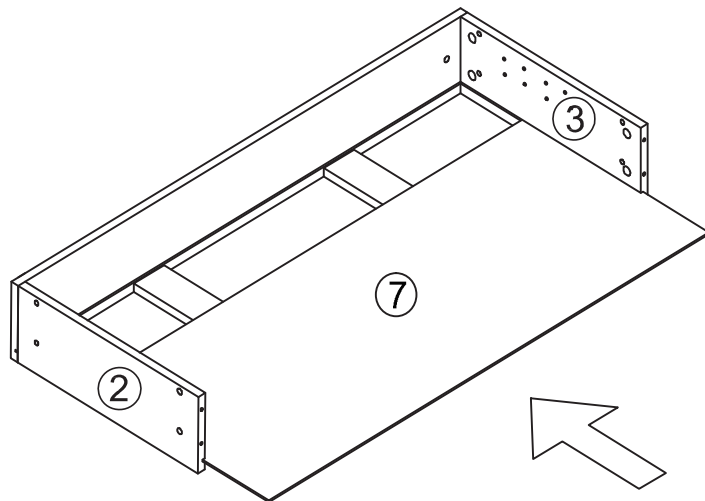
C



Wooden Dowel 2 pcs

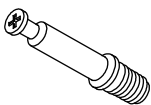


4



5

A



Pin 6 pcs

B

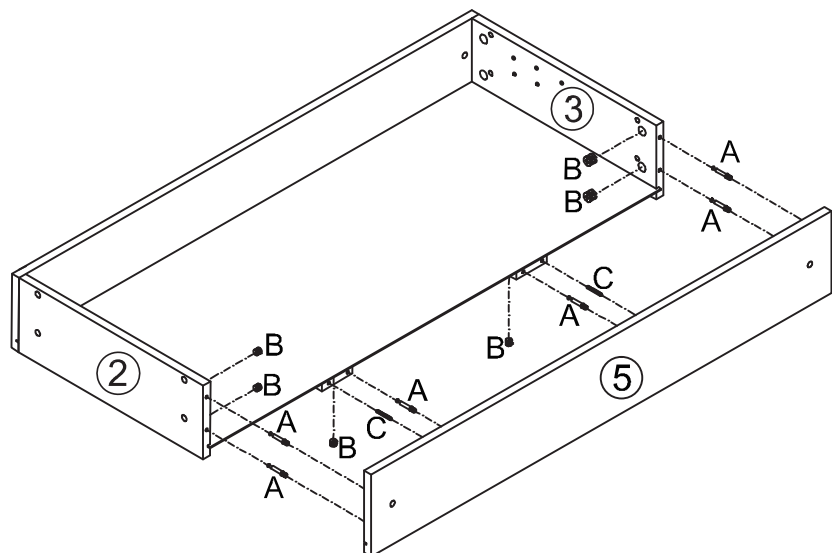


Cam Lock 6 pcs

C



Wooden Dowel 2 pcs



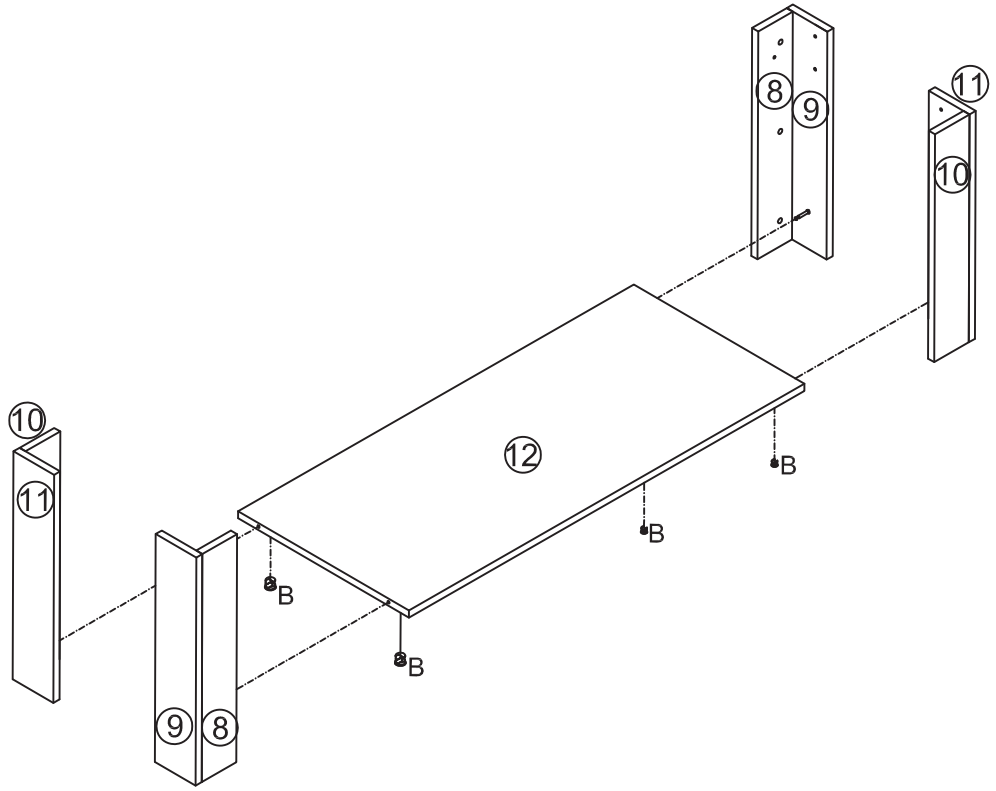
6

B



Cam Lock

4 pcs



7

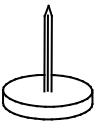
D



Screw

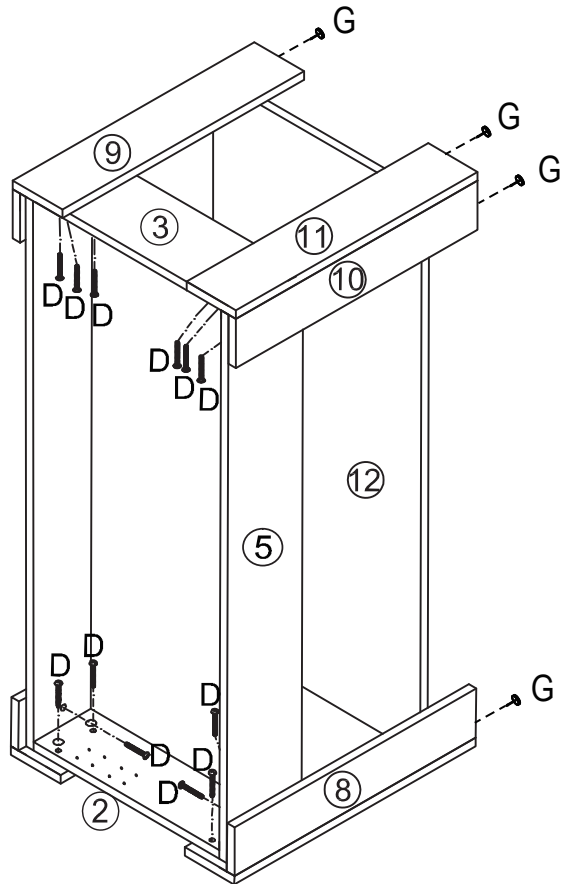
12 pcs

G



Nail

8 pcs



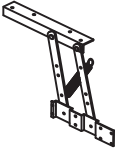
8

E



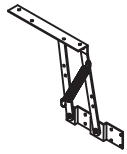
Screw 8 pcs

F

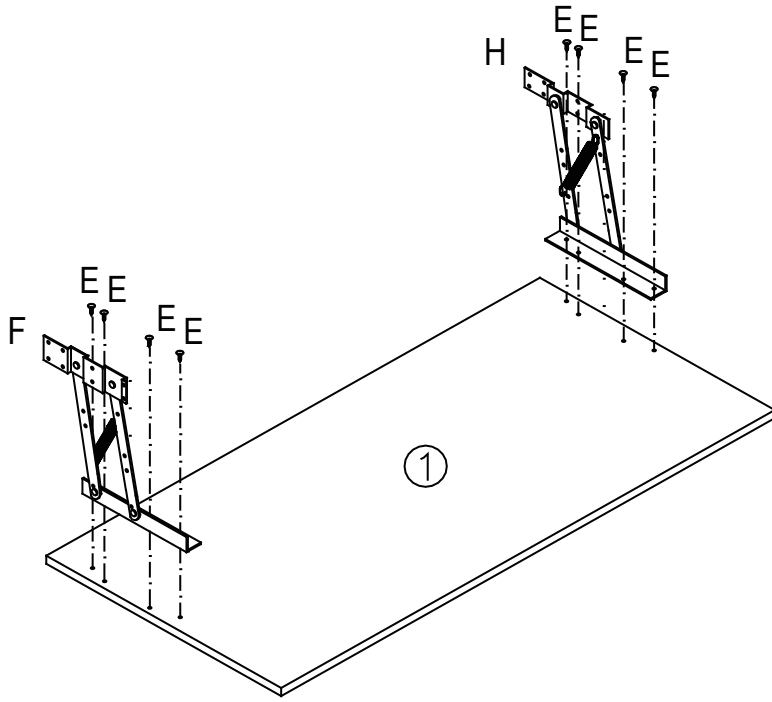


Metal Hinge 1pcs

H



Metal Hinge 1pcs



9

E



Screw 16pcs

