

SIDE TABLE
Item Code: G-0089
Assembly Instruction

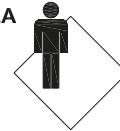
30 mins

APPROXIMATE ASSEMBLY TIME

1 PERSON ASSEMBLY

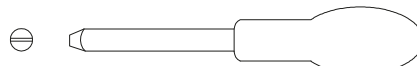


FLOOR AREA
 1.0M X 1.0M

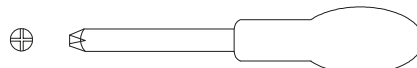


REQUIRED ASSEMBLY SPACE

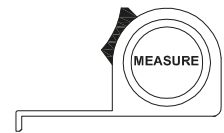
REQUIRED ASSEMBLY TOOLS



SLOTTED SCREWDRIVER (Not Provided)



POZI SCREWDRIVER (Not Provided)



MEASURING TAPE (Not Provided)

ASSEMBLED DIMENSIONS

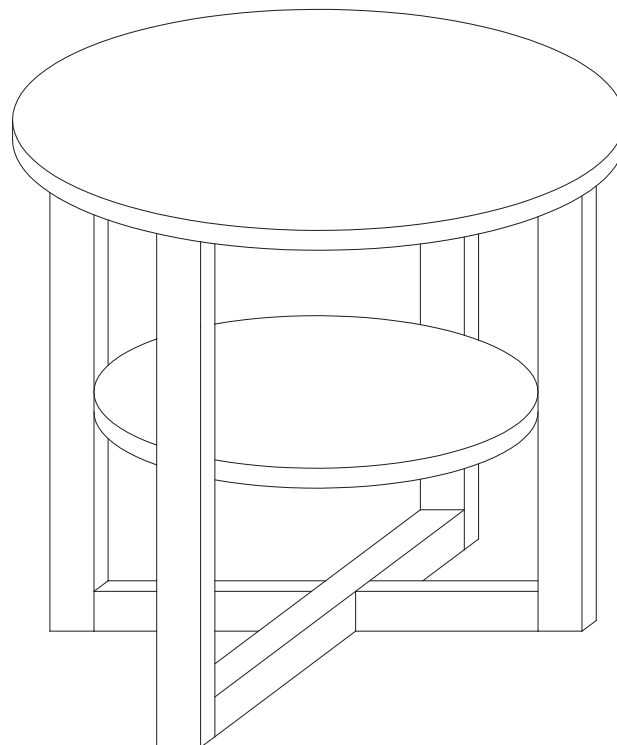
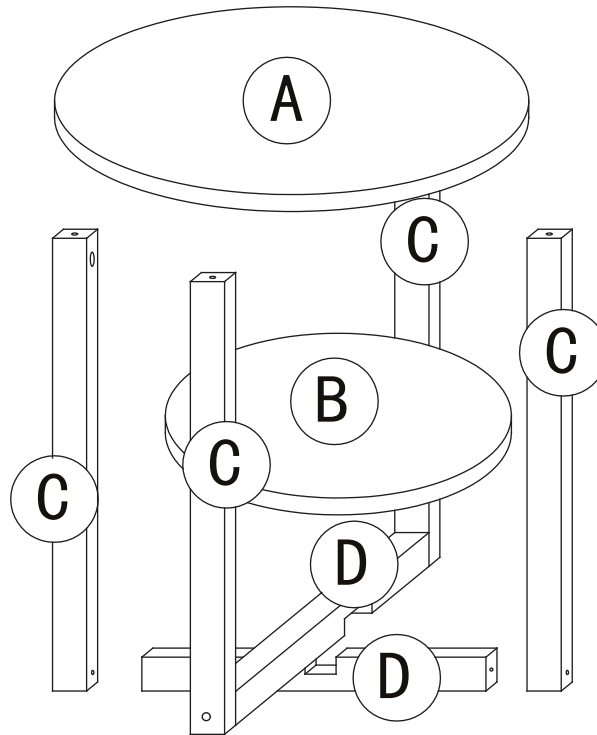


Table top max. loading weight: 15kg
 Under shelf max. loading weight: 10kg

SIDE TABLE
Item Code: G-0089
Assembly Instruction



PARTS LIST

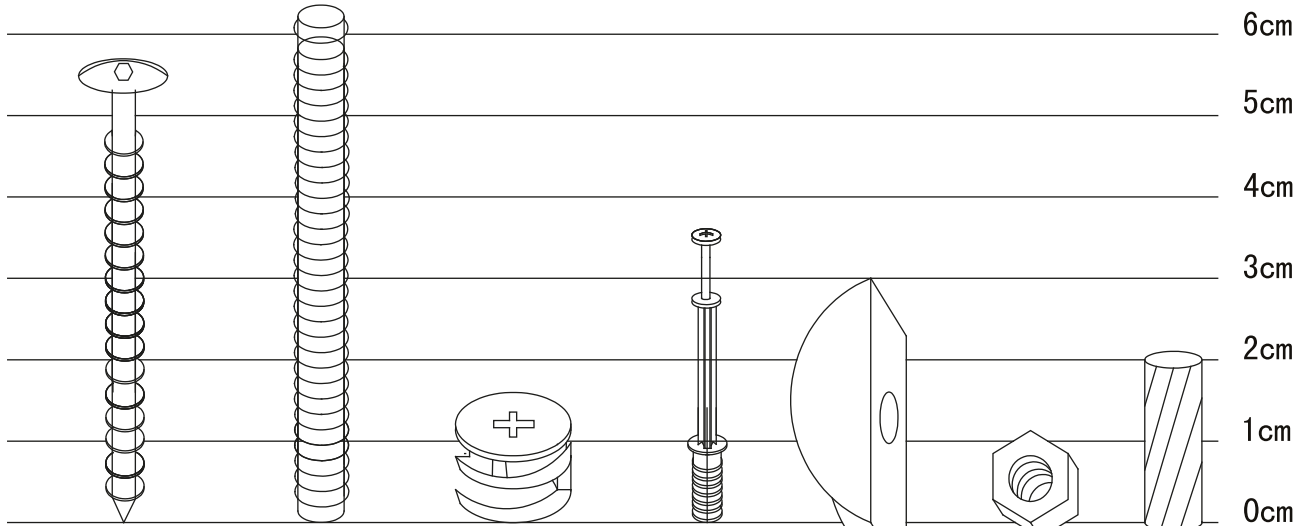
NO	PART	QTY
A	TOP PANEL	1
B	MIDDLE SHELF	1
C	LEG	4
D	BOTTOM CROSS SLAT	2

SIDE TABLE

Item Code: G-0089

Assembly Instruction

HARDWARE LIST



4x

4x

4x

4x

4x

4x

16x

M3. 5*55MM

Dia6*60MM

Dia. 15MM

M6MM

M30MM

Dia10MM

Dia6MM*20

Screw Bolt

Long Bolt

Camlock

Camlock
bolt

Half-round
Nut

Hexagon
Nut

Wooden
Dowel

1

2

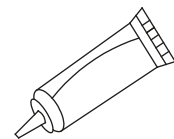
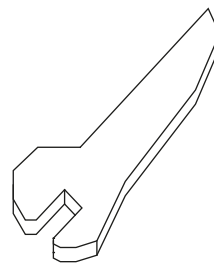
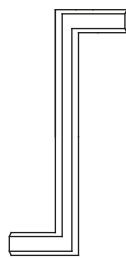
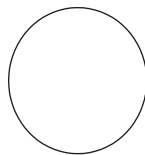
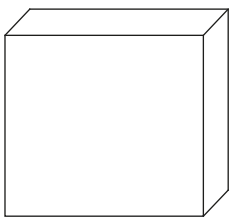
3

4

5

6

7



4x

4x

1x

1x

1x

Dia30MM

Dia15MM

EVA Mat

PVC sticker

Allen Key

Spanner

Glue

8

9

10

11

12

SIDE TABLE

Item Code: G-0089

Assembly Instruction

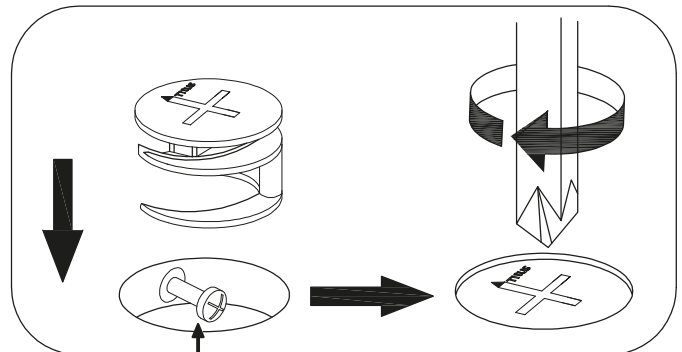
SPECIAL TIPS FOR FITTING CAM-LOCKS AND QUICKFIT



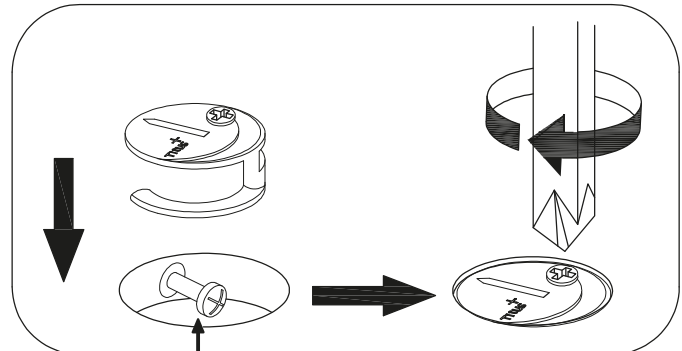
WHEN FITTING CAMLOCK
ENSURE STARTING POSITION IS CORRECT
BEFORE YOU INSERT CONNECTING QUICKFIT
TURN CLOCKWISE UNTIL SECURE

CORRECT

WRONG



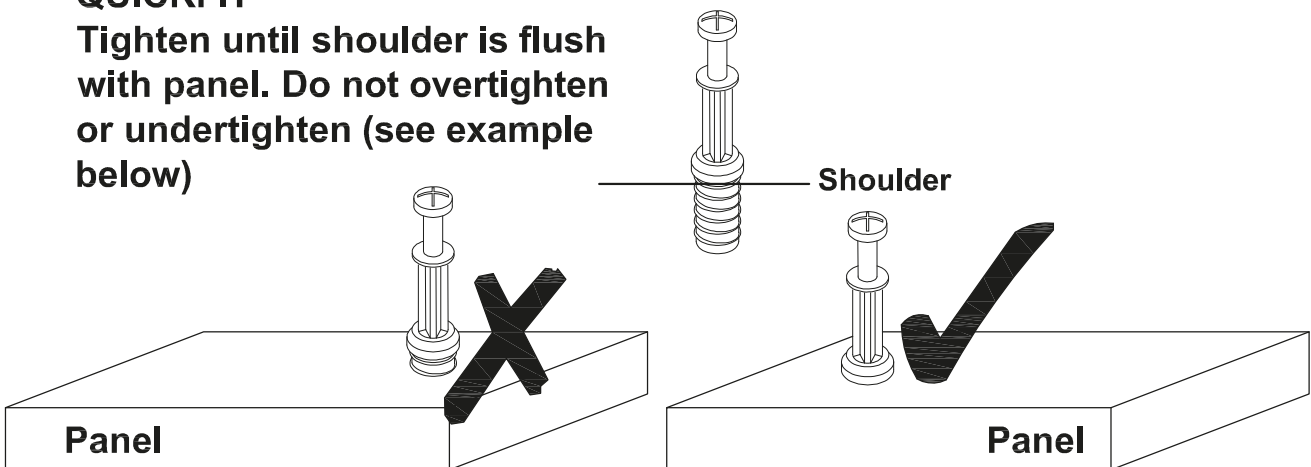
Quickfit head needs to be in centre



Quickfit head needs to be in centre

QUICKFIT

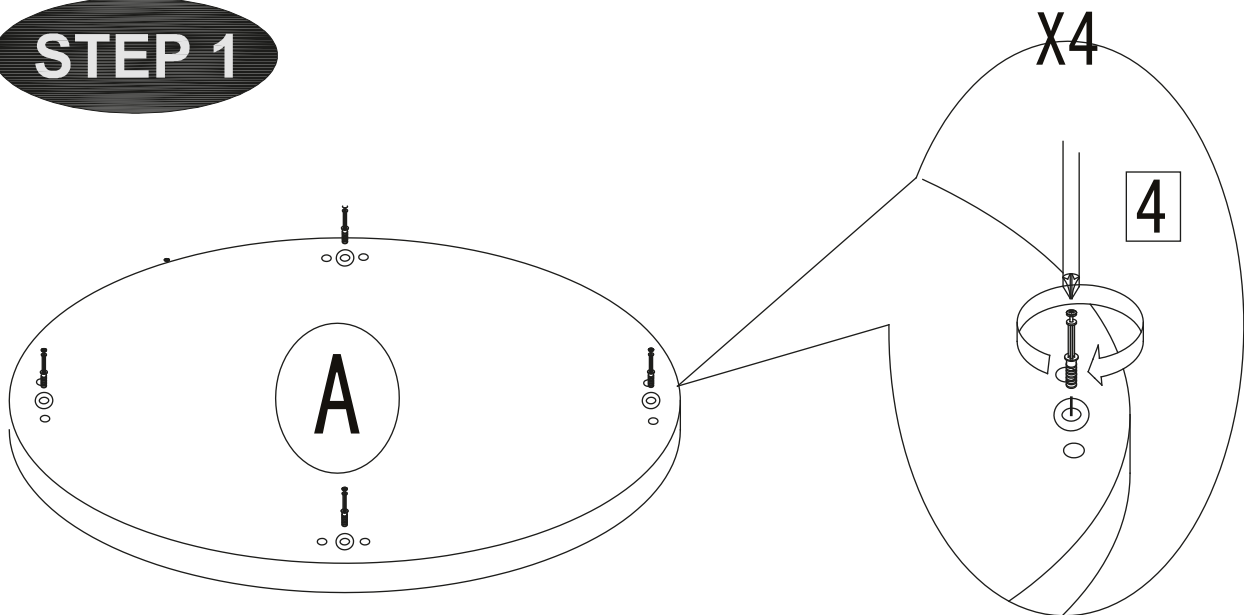
Tighten until shoulder is flush with panel. Do not overtighten or undertighten (see example below)



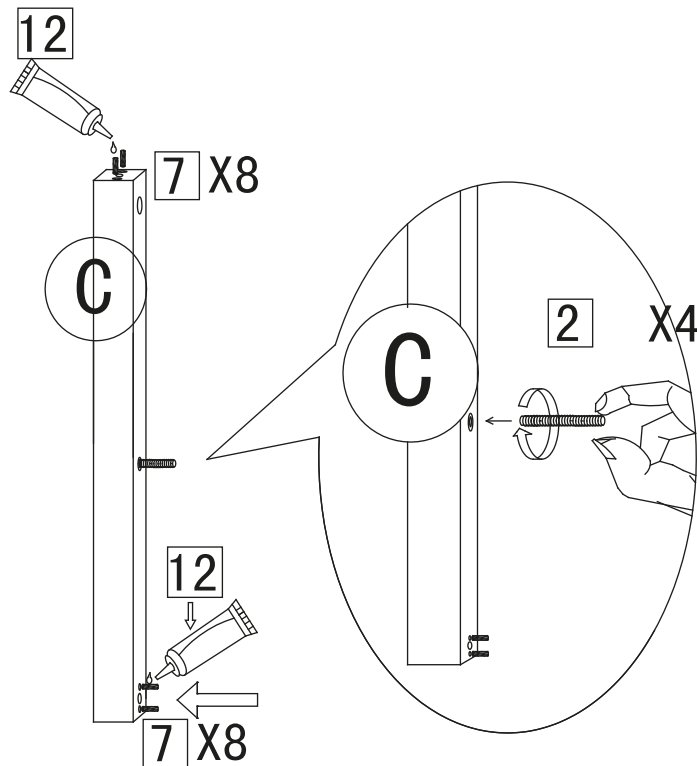
SIDE TABLE

Item Code: G-0089
Assembly Instruction

STEP 1



STEP 2

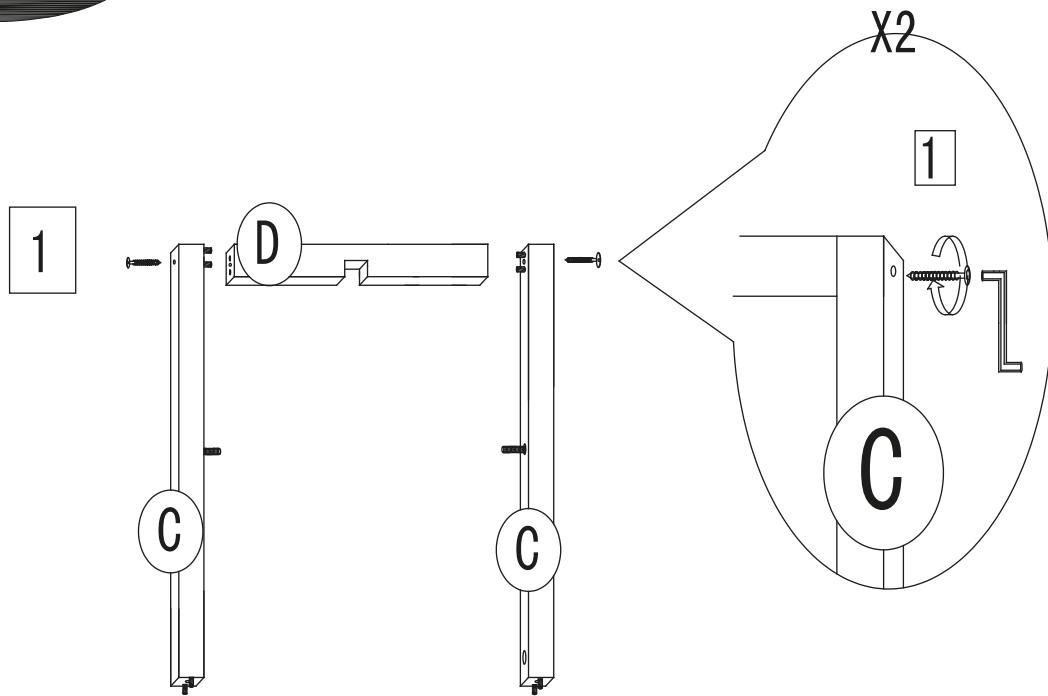


Remark: Fill the wooden dowel holes with the Glue

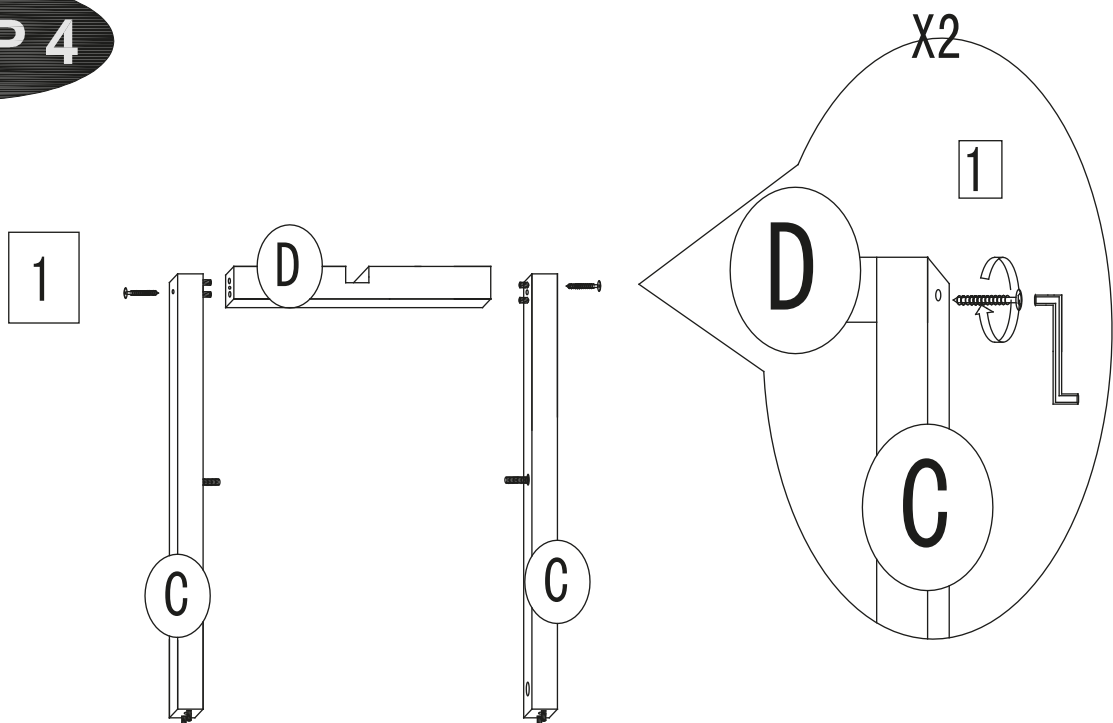
SIDE TABLE

Item Code: G-0089
Assembly Instruction

STEP 3



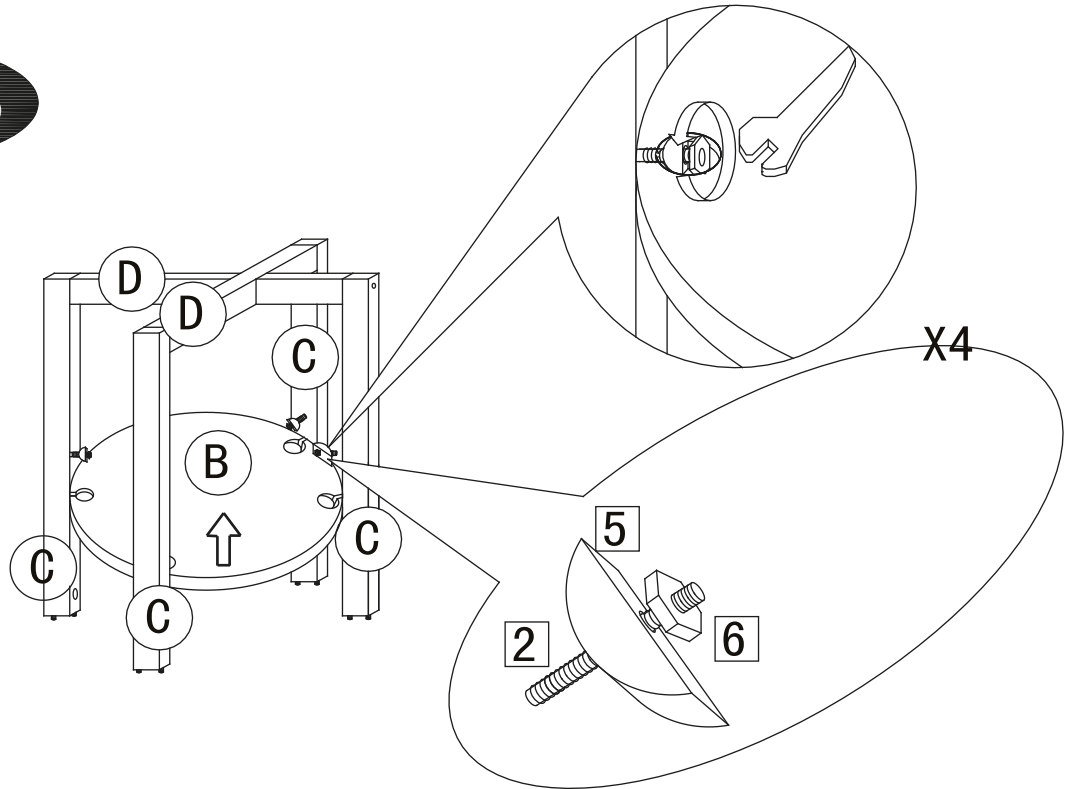
STEP 4



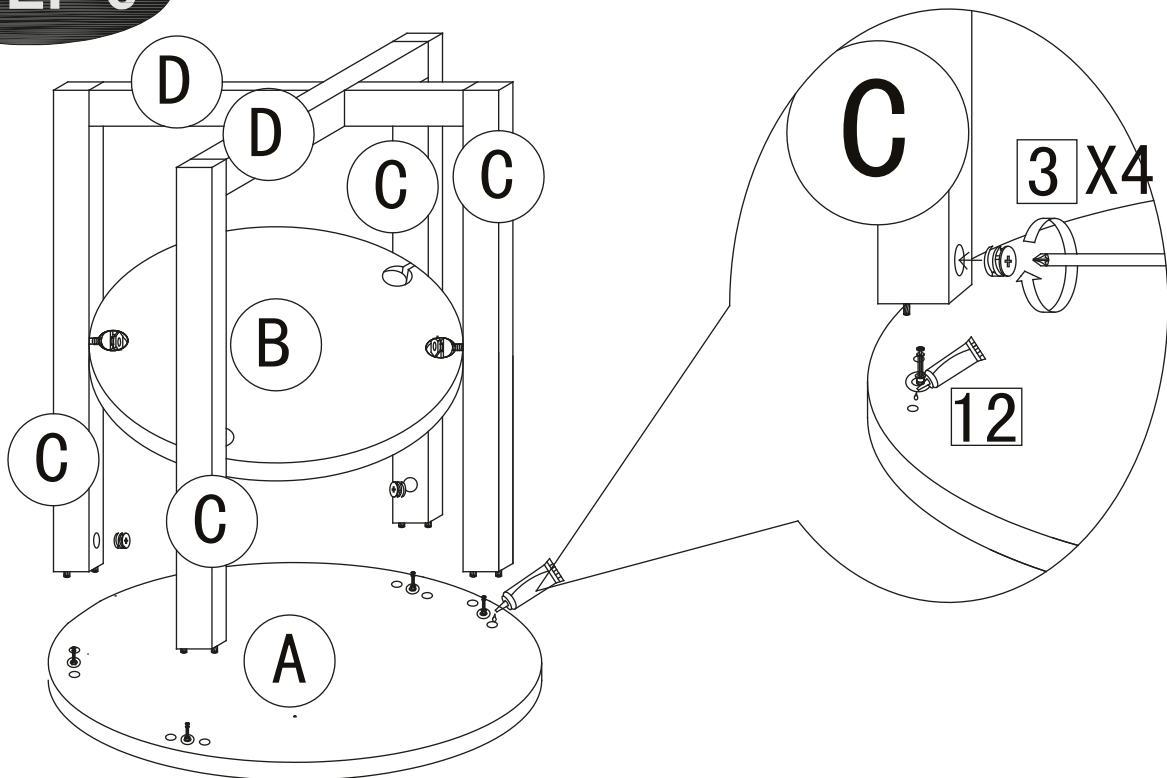
SIDE TABLE

Item Code: G-0089
Assembly Instruction

STEP 5



STEP 6

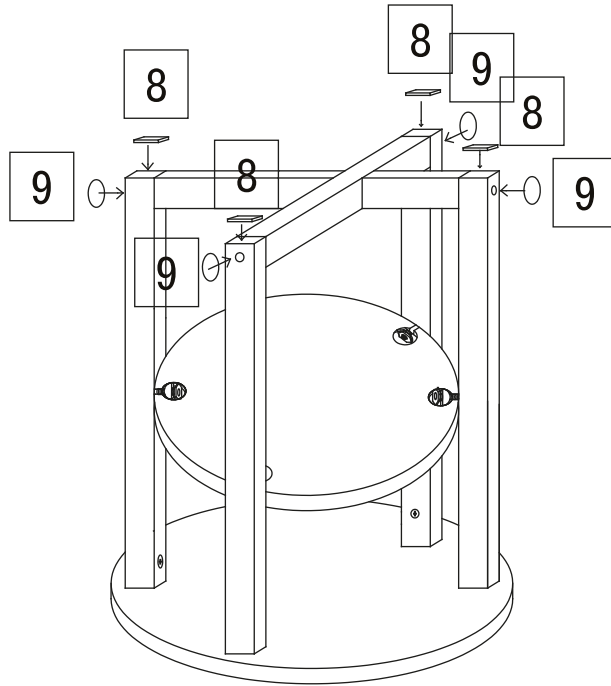


Remark: Fill the wooden dowel holes with the Glue

SIDE TABLE

Item Code: G-0089
Assembly Instruction

STEP 7



STEP 8

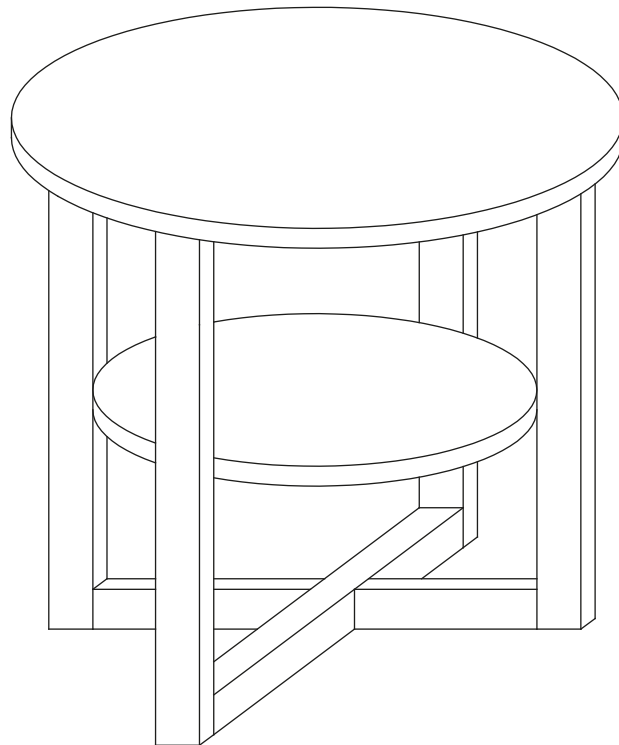


Table top max. loading weight: 15kg
Under shelf max. loading weight: 10kg

SIDE TABLE

Item Code: G-0089

Assembly Instruction



Safety Advice and Care Advice

KEEP ALL THE SAFETY ADVICE AND INSTRUCTIONS IN A SAFE PLACE FOR FUTURE REFERENCE!

⚠ WARNING! RISK OF LOSS OF LIFE OR ACCIDENT TO INFANTS AND CHILDREN! Never leave children unsupervised with the packaging materials. Danger of suffocation.

⚠ CAUTION! RISK OF INJURY! Make sure that all parts are undamaged and assembled correctly. Improper assembly carries a risk of injury. Damaged parts may affect the safety and function of the product.

- Make sure that this product is standing on a solid, level surface.

⚠ CAUTION! Do not leave children unsupervised! The product is not a climbing frame or a toy! Make sure that nobody, especially a child, climbs on or leans against the product.

- Distribute weight evenly across the product so that it cannot overturn.
- Do not load more than a total of 25kg (table top max. loading weight: 15kg, under shelf max. loading weight: 10kg) onto the product, otherwise there is a risk of injury and/or damage to the product.
- Check that the product is stable before using it.
- Do not lift or move the product when it is loaded.
- Keep away from fire and inflammable objects.
- **Wipe clean with a damp cloth.**
- Make sure that all screws and fixings are secure before use.
- Do not place very hot or very cold items on the surface(s) unless adequately thick table mats are used.
- Please periodically check all fittings and re-tighten as necessary.
- Domestic use only.