

3 SHELF CORNER UNIT
 ITEM CODE: G-0123
ASSEMBLY INSTRUCTION

30mins

APPROXIMATE ASSEMBLY TIME

1 PEOPLE ASSEMBLY



FLOOR AREA
1MX1M

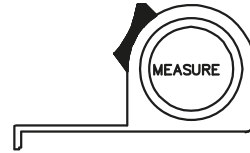


REQUIRED ASSEMBLY SPACE

REQUIRED ASSEMBLY TOOLS

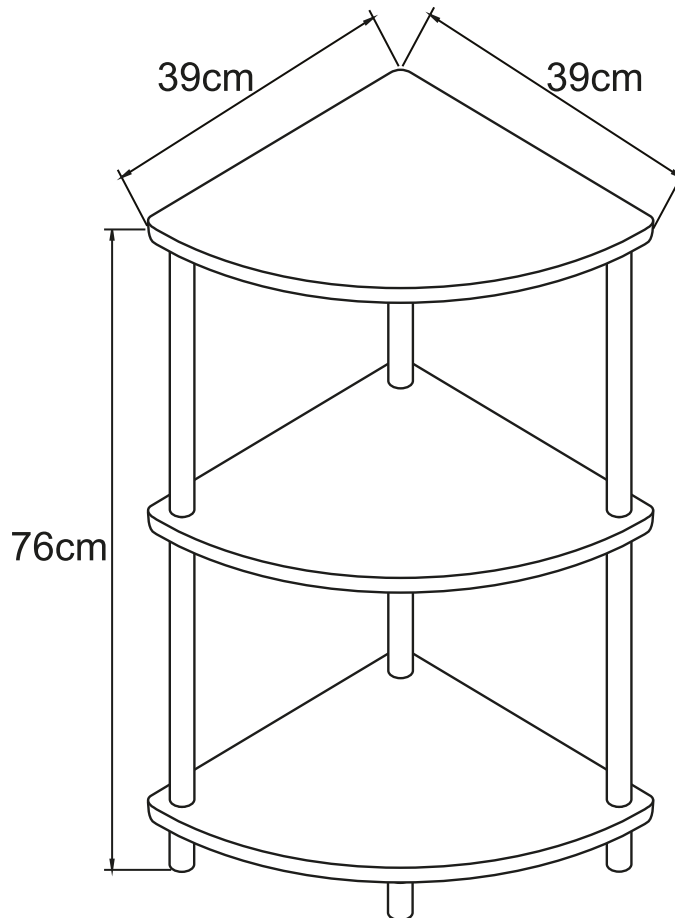


PROTECTIVE HAND GLOVES (Not Provided)



MEASURING TAPE (Not Provided)

ASSEMBLED DIMENSIONS



Max. Loading :10kg

1-8

Made in China
 Manufactured for Gill HK Limited BD4 9SW
www.gillhk.com

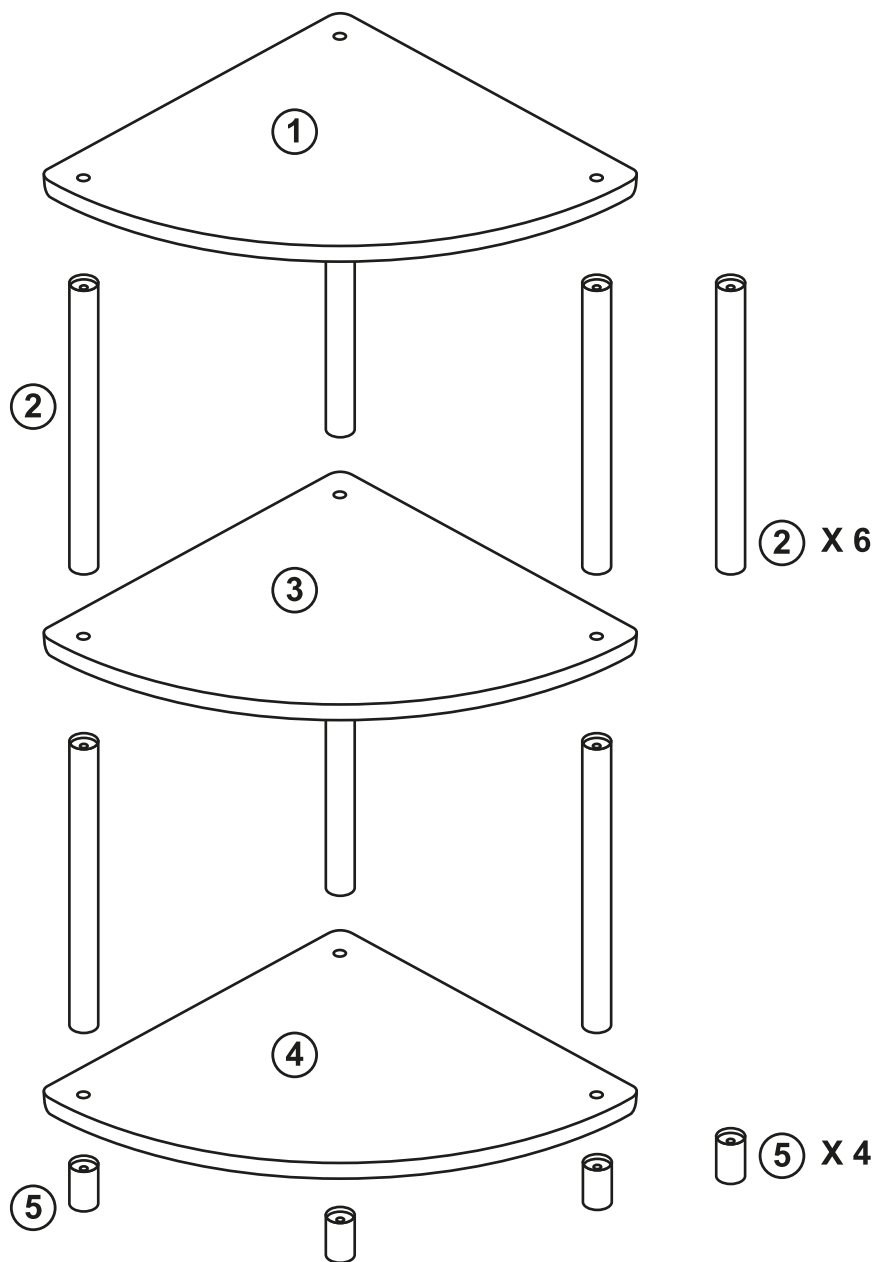
3 SHELF CORNER UNIT

ITEM CODE: G-0123

ASSEMBLY INSTRUCTION

NO.	PART LIST	QTY	NO.	PART LIST	QTY
(1)	SHELF	1	(4)	SHELF	1
(2)	SHELF	6	(5)	METAL FEET	4
(3)	METAL SUPPORT	1			

PARTS LIST



Max. Loading :10kg



2-8

Made in China
Manufactured for Gill HK Limited BD4 9SW
www.gillhk.com

3 SHELF CORNER UNIT

ITEM CODE: G-0123
ASSEMBLY INSTRUCTION

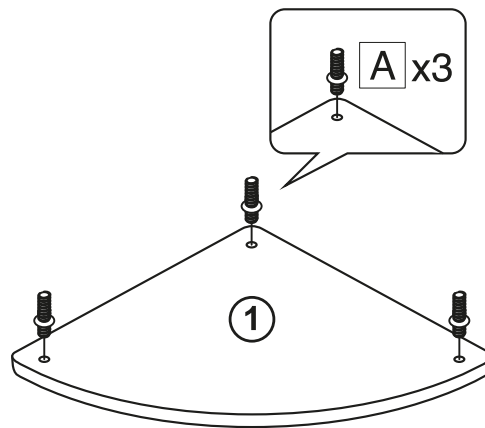
HARDWARE LIST

A	× 4	B	× 6
		SCREW	SCREW

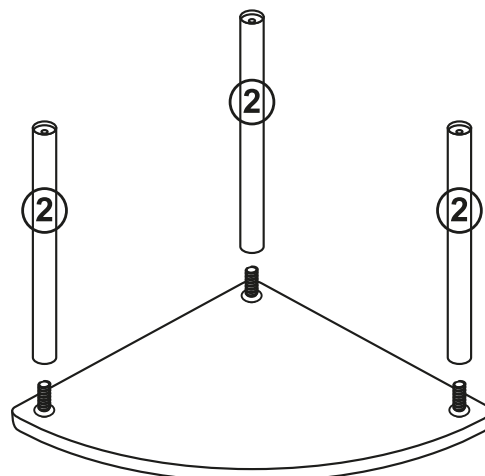
3 SHELF CORNER UNIT

ITEM CODE: G-0123
ASSEMBLY INSTRUCTION

STEP 1



STEP 2



Max. Loading :10kg

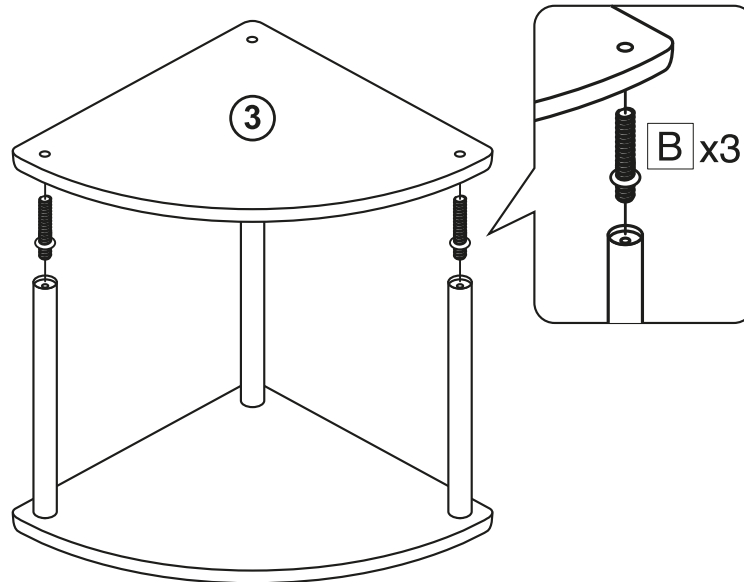
4-8

Made in China
Manufactured for Gill HK Limited BD4 9SW
www.gillhk.com

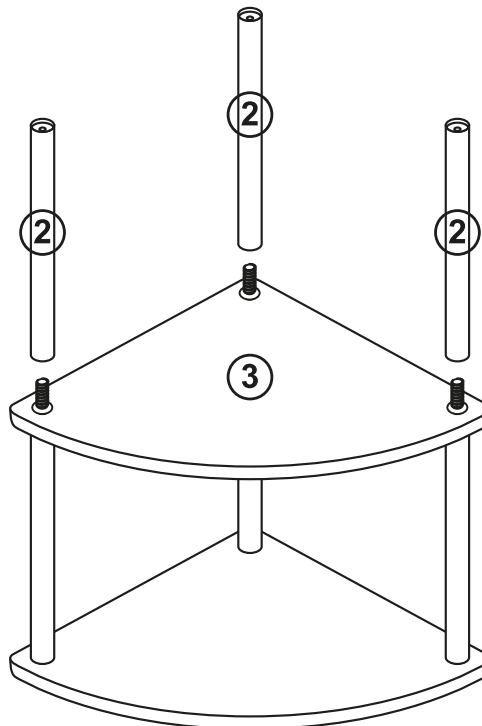
3 SHELF CORNER UNIT

ITEM CODE: G-0123
ASSEMBLY INSTRUCTION

STEP 3



STEP 4



Max. Loading :10kg

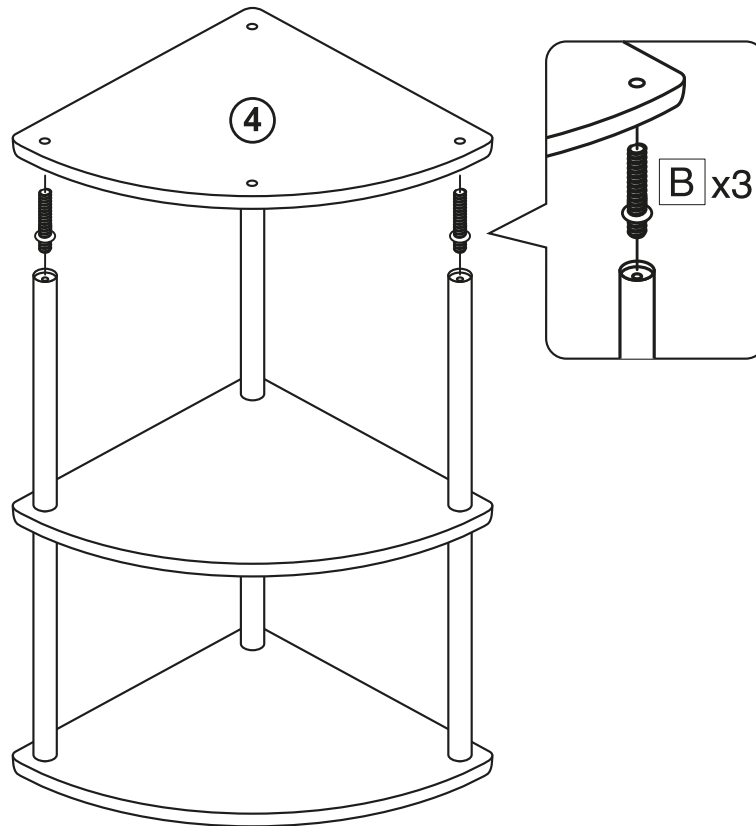
5-8

Made in China
Manufactured for Gill HK Limited BD4 9SW
www.gillhk.com

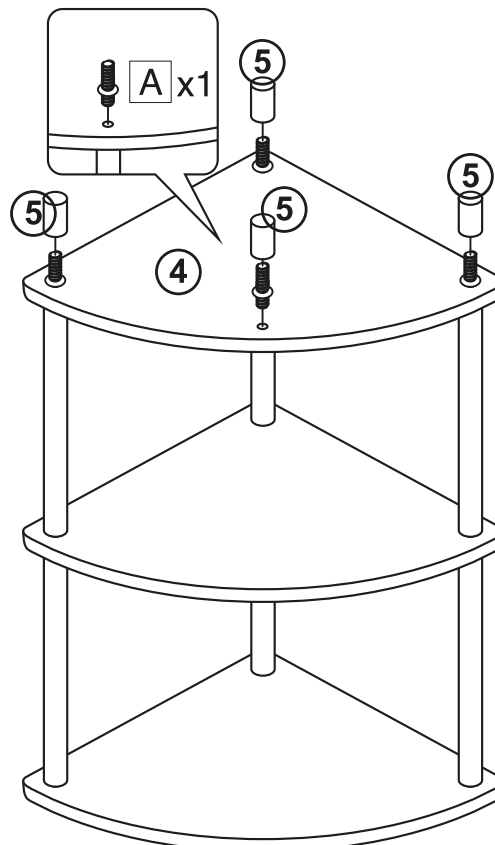
3 SHELF CORNER UNIT

ITEM CODE: G-0123
ASSEMBLY INSTRUCTION

STEP 5



STEP 6



Max. Loading :10kg

6-8

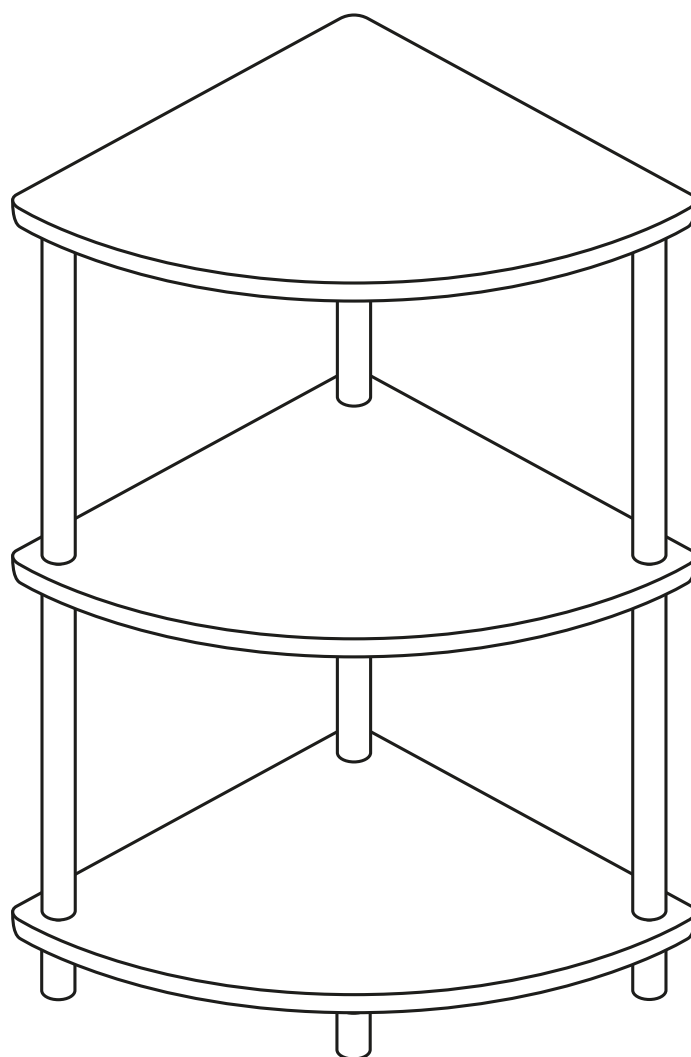
Made in China
Manufactured for Gill HK Limited BD4 9SW
www.gillhk.com

3 SHELF CORNER UNIT

ITEM CODE: G-0123

ASSEMBLY INSTRUCTION

STEP 7



Max. Loading :10kg

7-8

Made in China
Manufactured for Gill HK Limited BD4 9SW
www.gillhk.com

3 SHELF CORNER UNIT

ITEM CODE: G-0123

ASSEMBLY INSTRUCTION



Safety Advice and Care Advice

KEEP ALL THE SAFETY ADVICE AND INSTRUCTIONS IN A SAFE PLACE FOR FUTURE REFERENCE!

⚠ WARNING! RISK OF LOSS OF LIFE OR ACCIDENT TO INFANTS AND CHILDREN! Never leave children unsupervised with the packaging materials. Danger of suffocation.

⚠ CAUTION! RISK OF INJURY! Make sure that all parts are undamaged and assembled correctly. Improper assembly carries a risk of injury. Damaged parts may affect the safety and function of the product.

- Make sure that this product is standing on a solid, level surface.

⚠ CAUTION! Do not leave children unsupervised! The product is not a climbing frame or a toy! Make sure that nobody, especially a child, climbs on or leans against the product.

- Distribute weight evenly across the product so that it cannot overturn.
- Do not load more than a total of 10kg onto the product, otherwise there is a risk of injury and/or damage to the product.
- Check that the product is stable before using it.
- Do not lift or move the product when it is loaded.
- Keep away from fire and inflammable objects.
- **Wipe clean with a damp cloth.**
- Make sure that all screws and fixings are secure before use.
- Do not place very hot or very cold items on the surface(s) unless adequately thick table mats are used.
- Please periodically check all fittings and re-tighten as necessary.
- Domestic use only.