

5 DRAWER CHEST

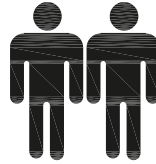
ITEM CODE: G-0439/G-0541

Assembly Instruction

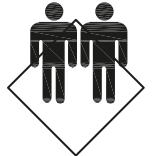
1.0hr

APPROXIMATE ASSEMBLY TIME

2 PEOPLE ASSEMBLY

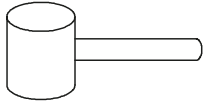


FLOOR AREA
1Mx1M

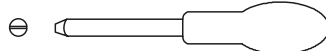


REQUIRED ASSEMBLY SPACE

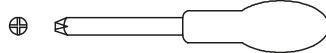
REQUIRED ASSEMBLY TOOLS



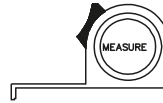
SOFT RUBBER HAMMER(NOT PROVIDED)



SLOTTED SCREWDRIVER(NOT PROVIDED)



POZI SCREWDRIVER(NOT PROVIDED)

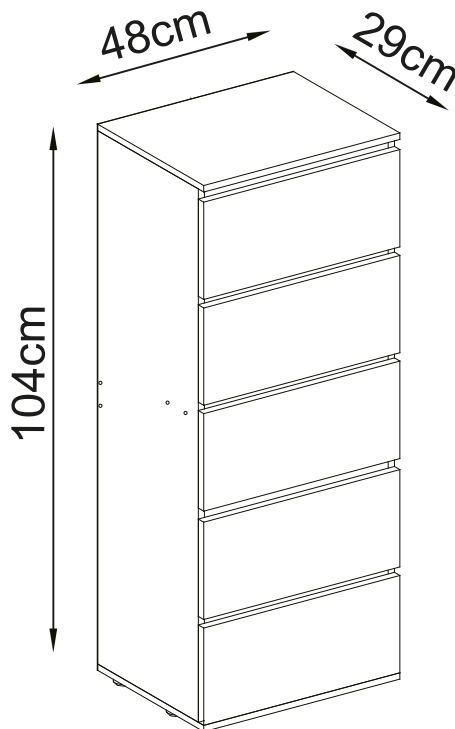


MEASURING TAPE(NOT PROVIDED)



ELECTRIC DRILL(NOT PROVIDED)

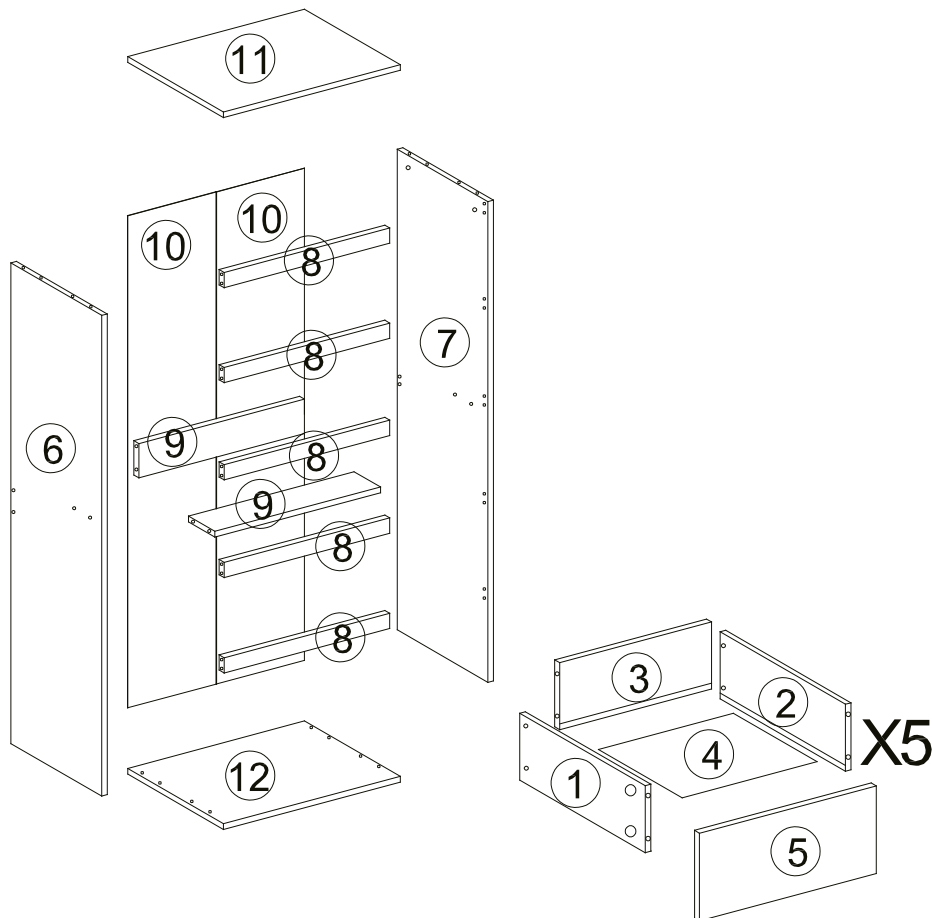
ASSEMBLED DIMENSIONS



**MODEL NAME:
5 DRAWER CHEST
G-0439/G-0541**

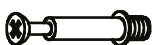

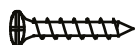


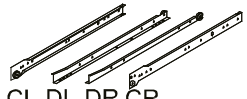

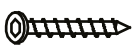








NO.	PART LIST	QTY	NO.	PART LIST	QTY
(1)	LEFT DRAWER SIDE PANEL	5	(8)	FRONT CROSS BAR	5
(2)	RIGHT DRAWER SIDE PANEL	5	(9)	MIDDLE CROSS BAR	2
(3)	BACK DRAWER PANEL	5	(10)	BACK PANEL	2
(4)	BOTTOM DRAWER PANEL	5	(11)	TOP PANEL	1
(5)	DRAWER FRONT PANEL	5	(12)	BOTTOM PANEL	1
(6)	LEFT SIDE PANEL	1	(13)		
(7)	RIGHT SIDE PANEL	1	(14)		

PART LIST



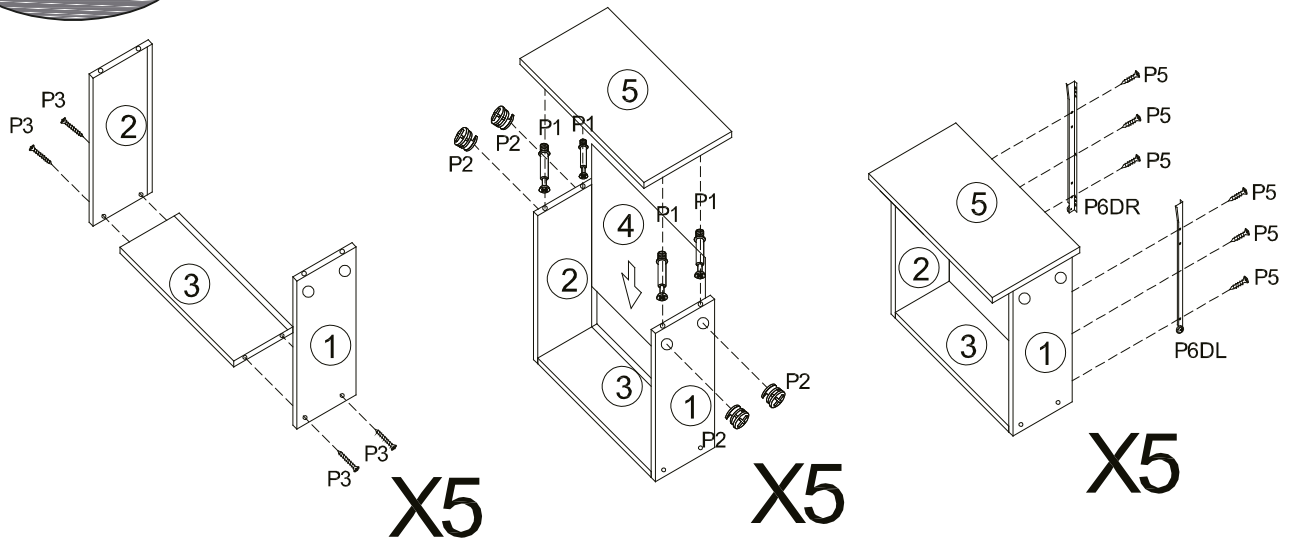
**MODEL NAME:
5 DRAWER CHEST
G-0439/G-0541**

HARDWARE LIST

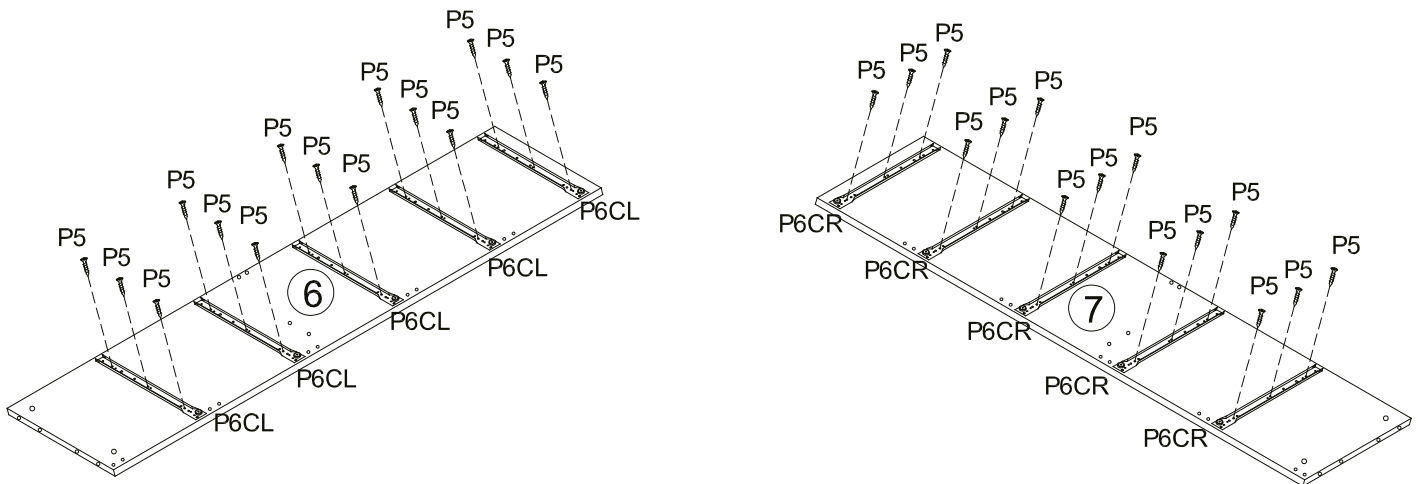
P1	x24	P2	x24	P3	x22	P4	x28	P5	x62
					Dia.4x35mm				
Male camlock		Female camlock		Screw		Dowel		Screw	
P6	x5	P7	x4	P8	x12	P9	x4	P10	x1
 CL DL DR CR					Dia.5x40mm				
Drawer runner		Screw		Screw		Plastic feet		Back panel joint strip	
P11	x26	P12	x1	P13	x2	P14	x2	P15	x4
									
Nails		Allen key		Wall strap		Wall plug		support plate	
P16	x8								
									
Screw head cover									

MODEL NAME: 5 DRAWER CHEST G-0439/G-0541

STEP 1

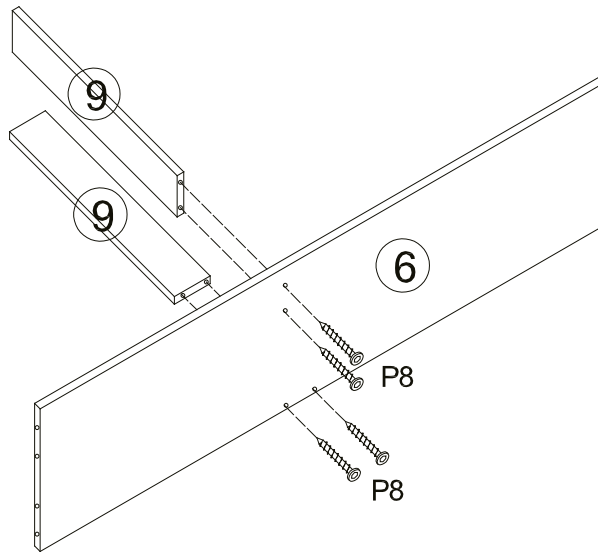


STEP 2

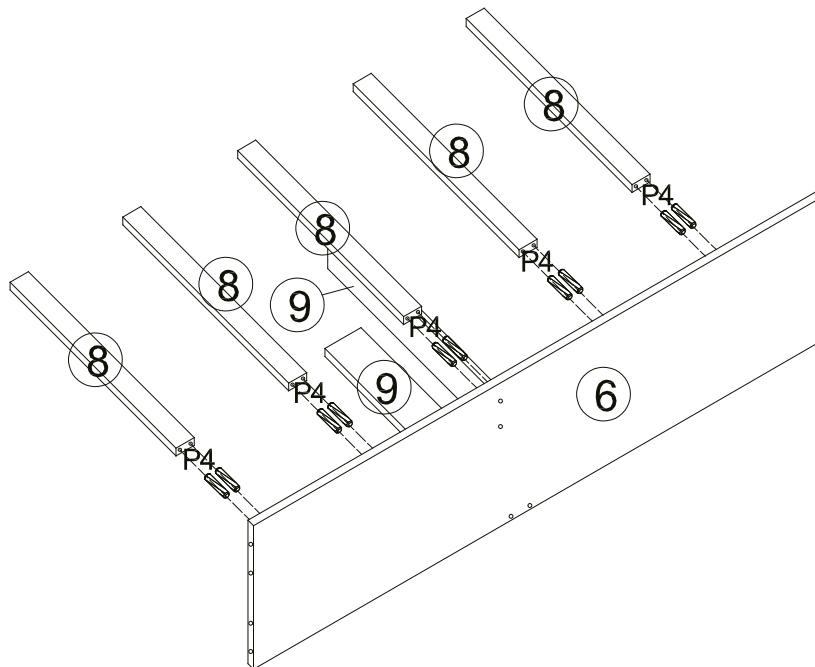


**MODEL NAME:
5 DRAWER CHEST
G-0439/G-0541**

STEP 3



STEP 4



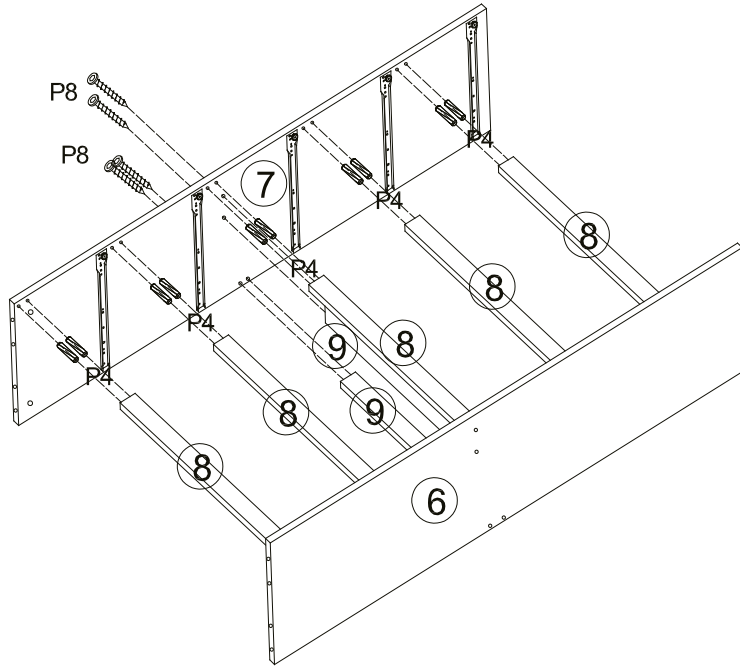
Max. Loading: 35kg

5-10

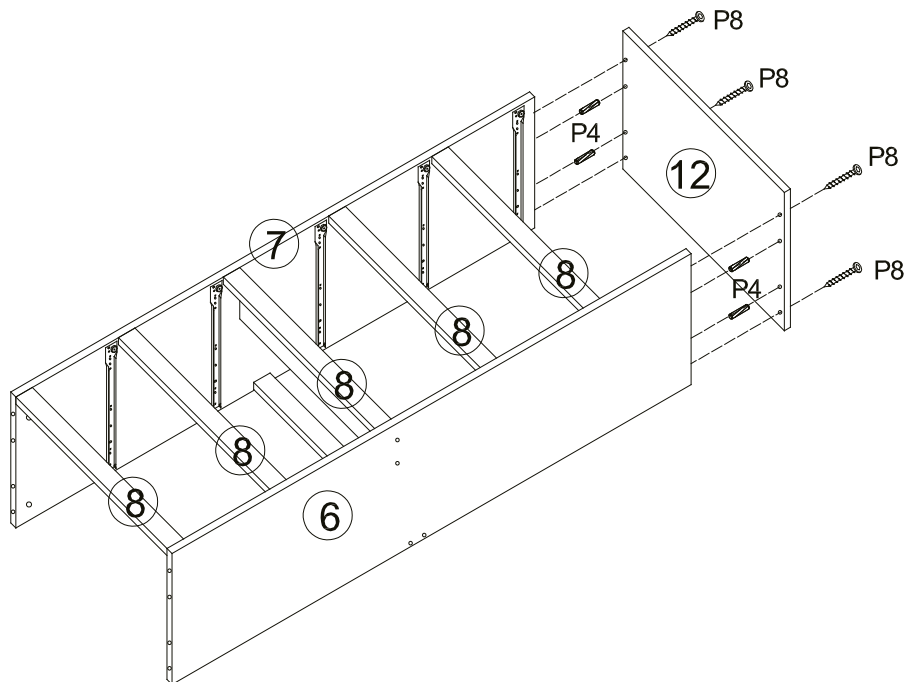
Manufactured for Gill HK Limited BD4 85W
www.gillhk.com

**MODEL NAME:
5 DRAWER CHEST
G-0439/G-0541**

STEP 5



STEP 6



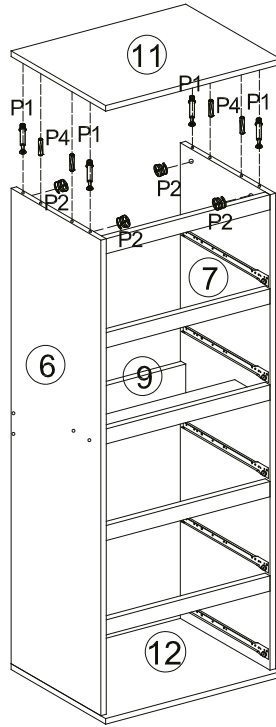
Max. Loading: 35kg

6-10

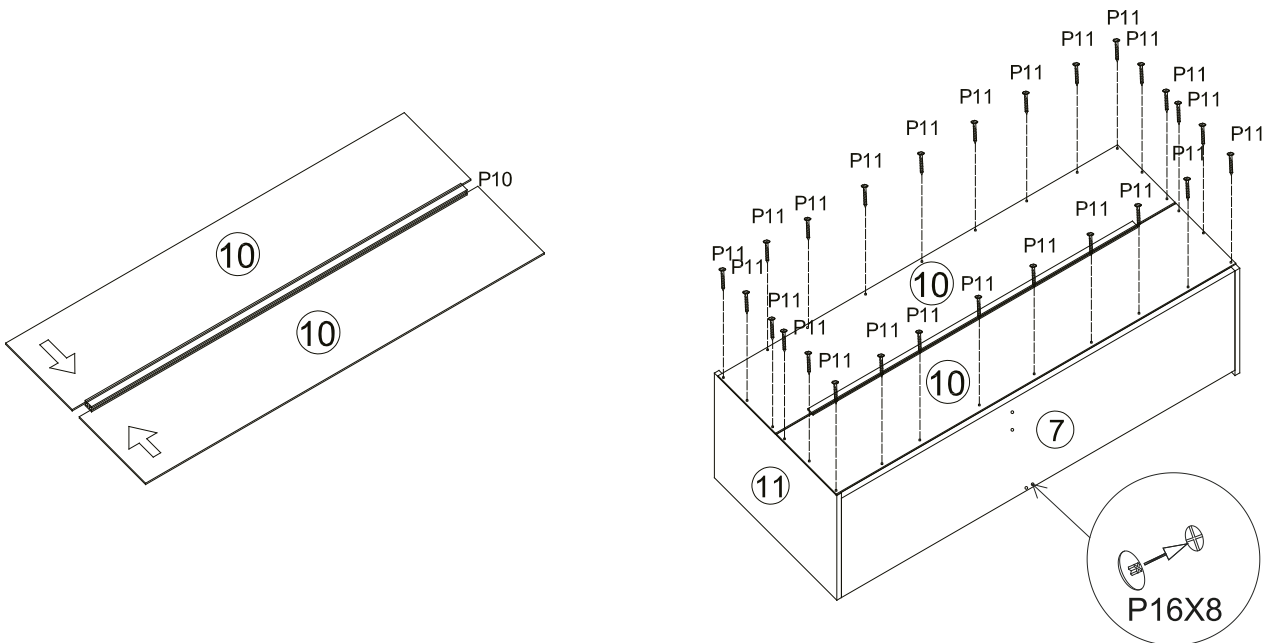
**Made in China
Manufactured for Gill HK Limited BD4 9SW
www.gillhk.com**

MODEL NAME: 5 DRAWER CHEST G-0439/G-0541

STEP 7



STEP 8



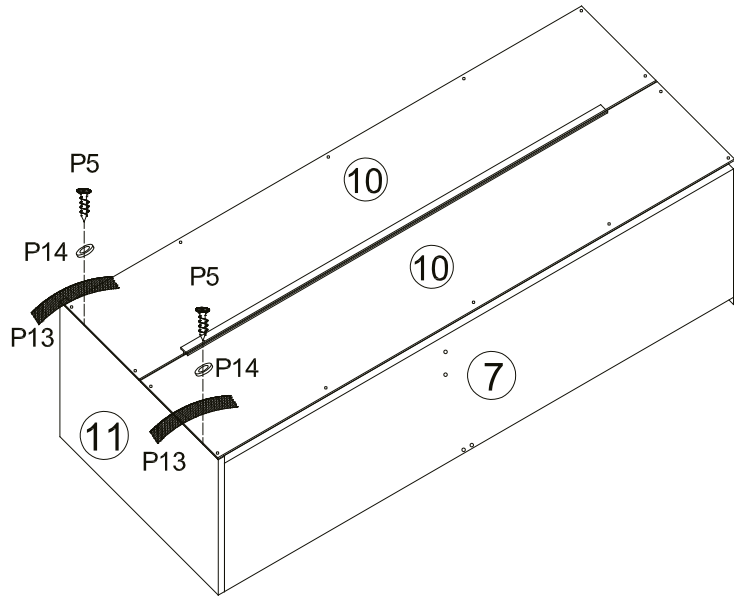
Max. Loading: 35kg

7-10

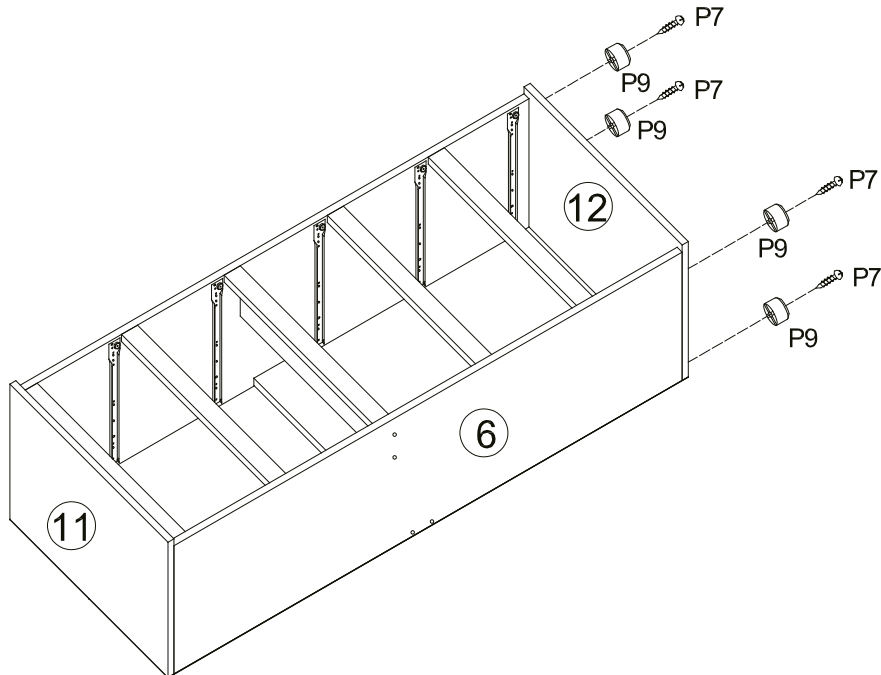
Made in China
Manufactured for Gill HK Limited BD4 9SW
www.gillhk.com

**MODEL NAME:
5 DRAWER CHEST
G-0439/G-0541**

STEP 9

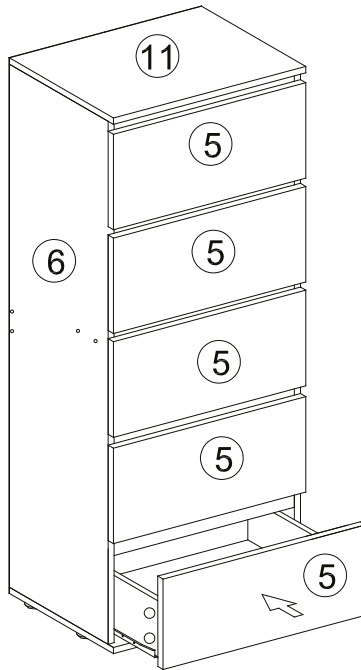


STEP 10

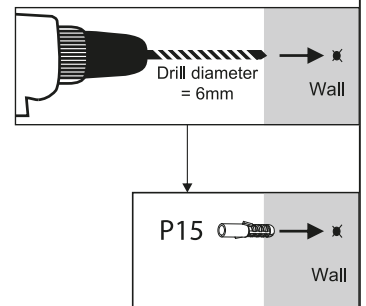
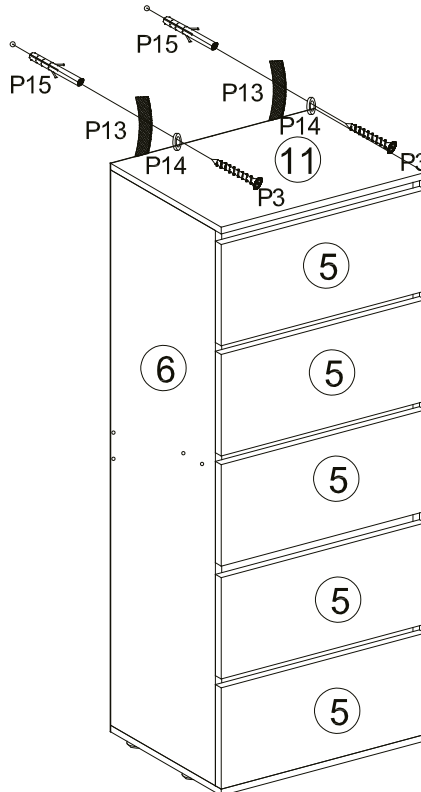


**MODEL NAME:
5 DRAWER CHEST
G-0439/G-0541**

STEP 11



STEP 12



Peel off the PVC protective mask before using

**MODEL NAME:
5 DRAWER CHEST
G-0439/G-0541**



Safety Advice and Care Advice

KEEP ALL THE SAFETY ADVICE AND INSTRUCTIONS IN A SAFE PLACE FOR FUTURE REFERENCE!

⚠ WARNING! RISK OF LOSS OF LIFE OR ACCIDENT TO INFANTS AND CHILDREN! Never leave children unsupervised with the packaging materials. Danger of suffocation.

⚠ CAUTION! RISK OF INJURY! Make sure that all parts are undamaged and assembled correctly. Improper assembly carries a risk of injury. Damaged parts may affect the safety and function of the product.

- Make sure that this product is standing on a solid, level surface.

⚠ CAUTION! Do not leave children unsupervised! The product is not a climbing frame or a toy! Make sure that nobody, especially a child, climbs on or leans against the product.

- Distribute weight evenly across the product so that it cannot overturn.
- Do not load more than a total of 35kg onto the product, otherwise there is a risk of injury and/or damage to the product.
- Check that the product is stable before using it.
- Do not lift or move the product when it is loaded.
- Keep away from fire and inflammable objects.
- **Wipe clean with a damp cloth.**
- Make sure that all screws and fixings are secure before use.
- Do not place very hot or very cold items on the surface(s) unless adequately thick table mats are used.
- Please periodically check all fittings and re-tighten as necessary.
- Domestic use only.

WARNING:

Keep hands/fingers away from moving parts.