

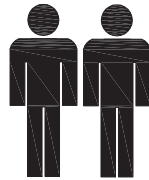
VELVET CHAIR

ITEM CODE: G-0472

Assembly Instruction

20 MINS

APPROXIMATE ASSEMBLY TIME



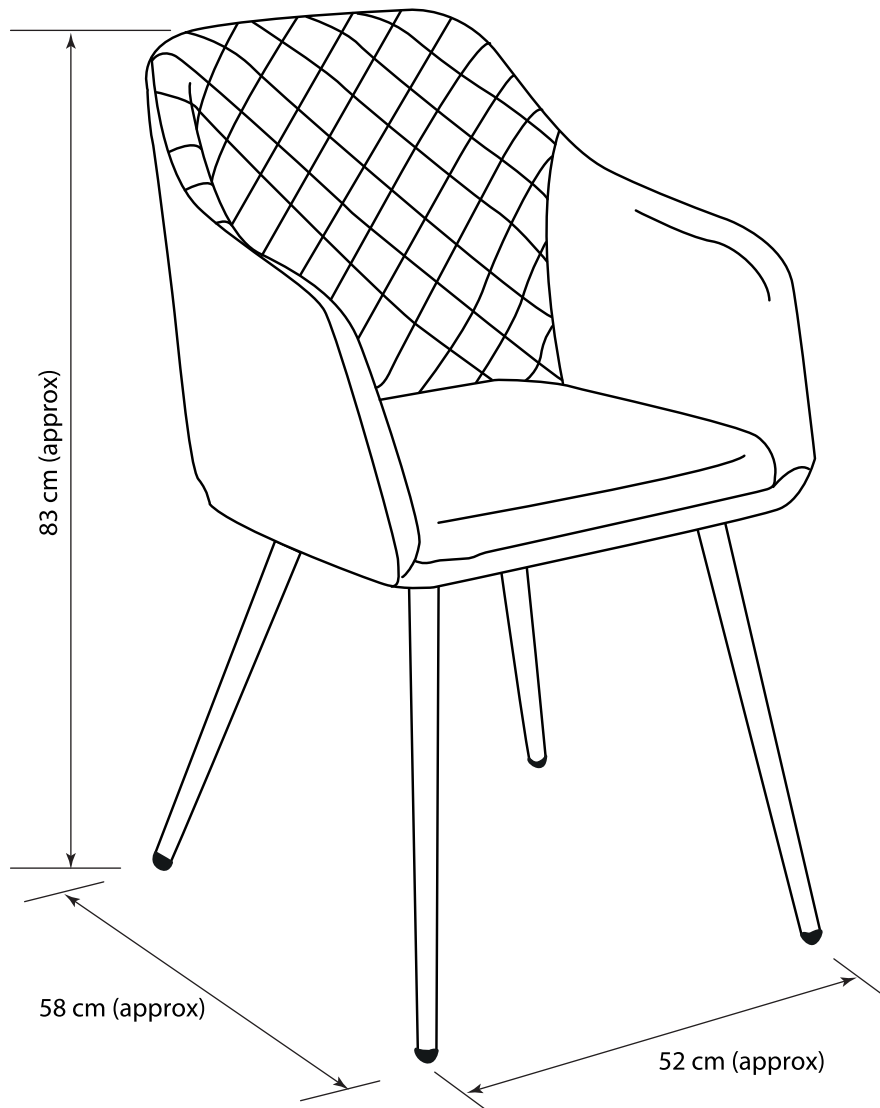
2 PERSON ASSEMBLY

FLOOR AREA
1M X 1M



REQUIRED ASSEMBLY SPACE

ASSEMBLED DIMENSIONS



Domestic use only
Max. loading: 100kg

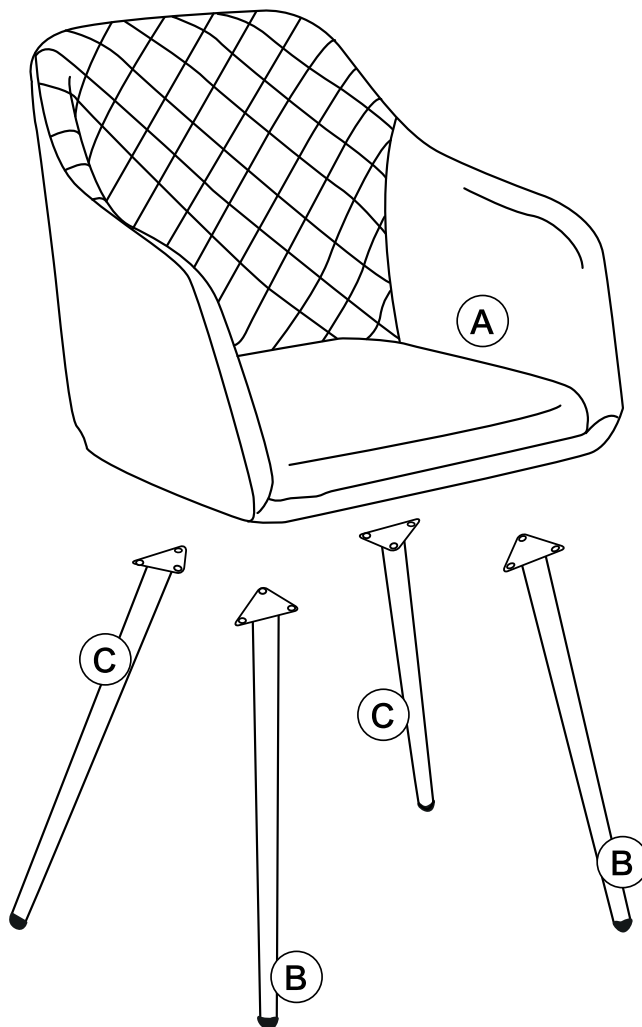
VELVET CHAIR

ITEM CODE: G-0472

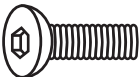
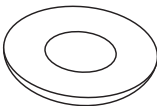

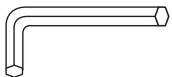
Assembly Instruction

NO.	PART LIST	QTY	NO.	PART LIST	QTY
(A)	BACKSET	1	(C)	REAR LEGS	2
(B)	FRONT LEGS	2			

PART LIST



HARDWARE LIST

 M8*30MM D X 12	 E X 12	 F X 12	 G X 1
--	---	--	--

VELVET CHAIR

ITEM CODE: G-0472

Assembly Instruction

Top Tips before you start!

1. Please check that all parts are present before you start the assembly of your furniture.
2. For ease and speed of assembly, we recommend that before you commence each step of the assembly, that you identify all the parts required for that step.
3. For larger items, please ensure that you have sufficient space and people (as indicated on page 1) to assemble your product safely
4. For the protection of your furniture, we recommend that the product is placed on a protected surface during assembly to prevent any damage.
5. During assembly please take care not to over-tighten any fittings, as this may damage the product.
6. Always place the product on a flat, steady and stable surface.
7. Do not stand on the product. Do not use the product as a stepladder.
8. This product is intended for indoor, household use only as it is non industrial product.
9. Please do not kneel on any part of this product during assembly.

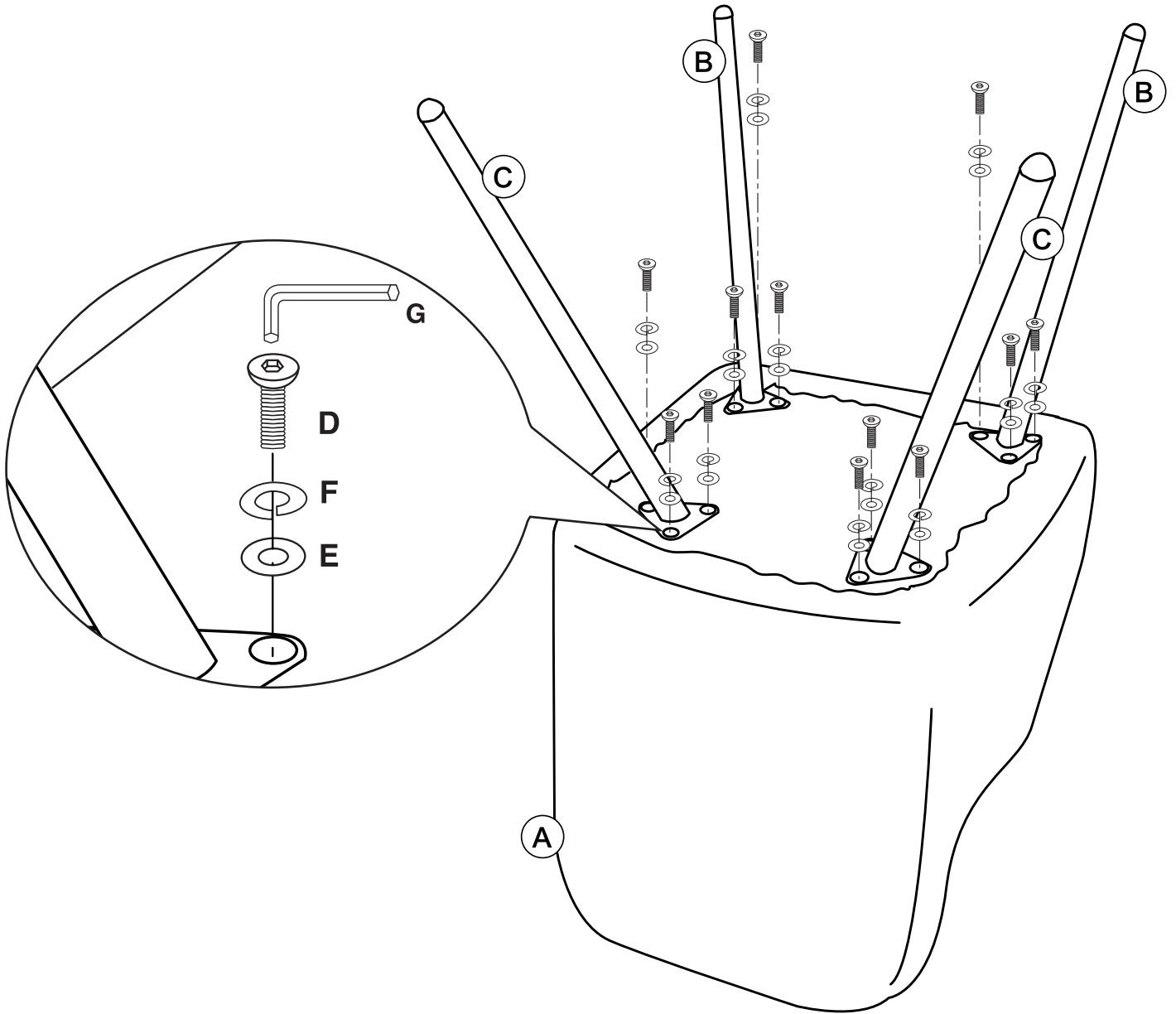
Care and Maintenance of your Furniture

- Please periodically check all fittings and re-tighten as necessary.
- To clean your item, please use a damp cloth and wipe clean.

VELVET CHAIR

ITEM CODE: G-0472

Assembly Instruction



Note: Please distinguish the front and rear legs according to the marking instructions.

