

CANE 1 DRAWER BEDSIDE TABLE

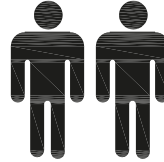
ITEM CODE: G-0488, G-0489

Assembly Instruction

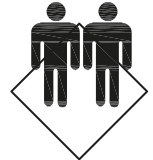
1.0hr

APPROXIMATE ASSEMBLY TIME

2 PEOPLE ASSEMBLY

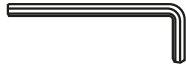


FLOOR AREA
1M x 1M

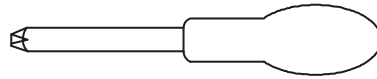


REQUIRED ASSEMBLY SPACE

REQUIRED ASSEMBLY TOOLS



WRENCH (NOT PROVIDED)

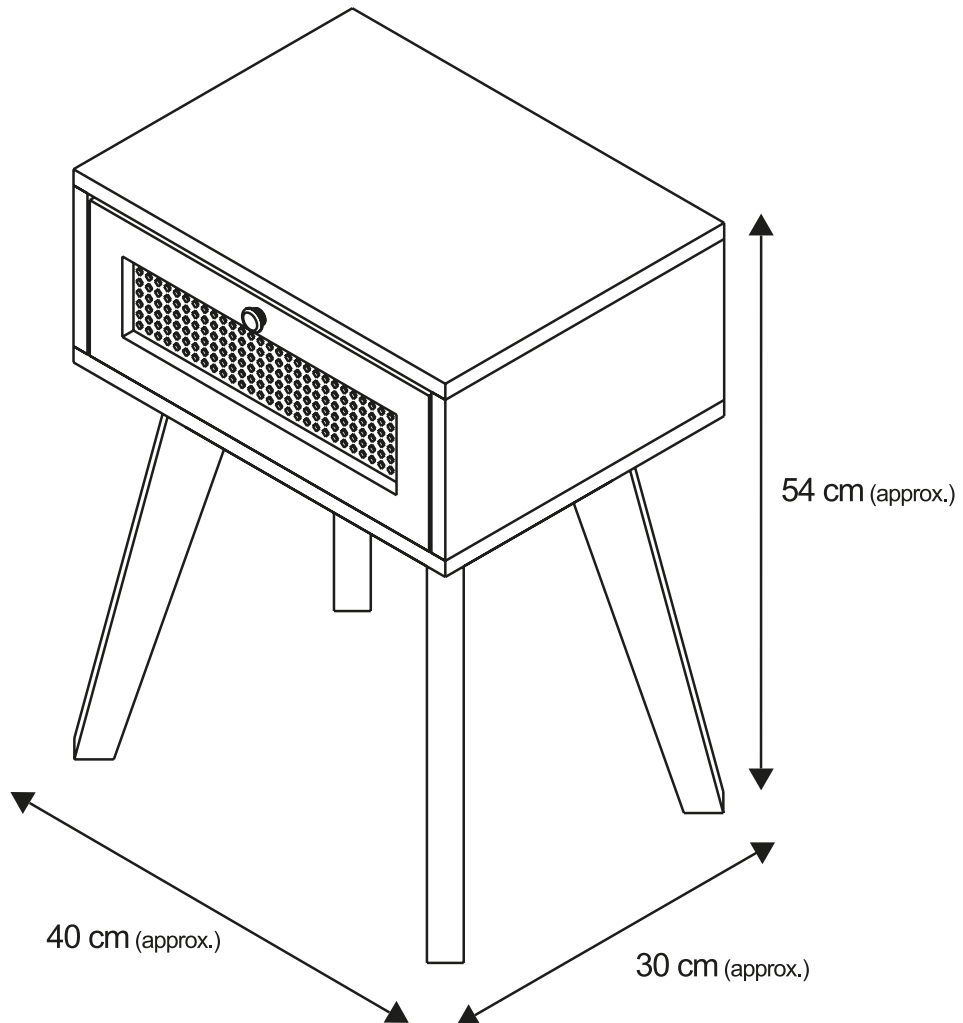


POZI SCREWDRIVER (Not Provided)



MEASURING TAPE (Not Provided)

ASSEMBLED DIMENSIONS



Max. Loading: 10kg

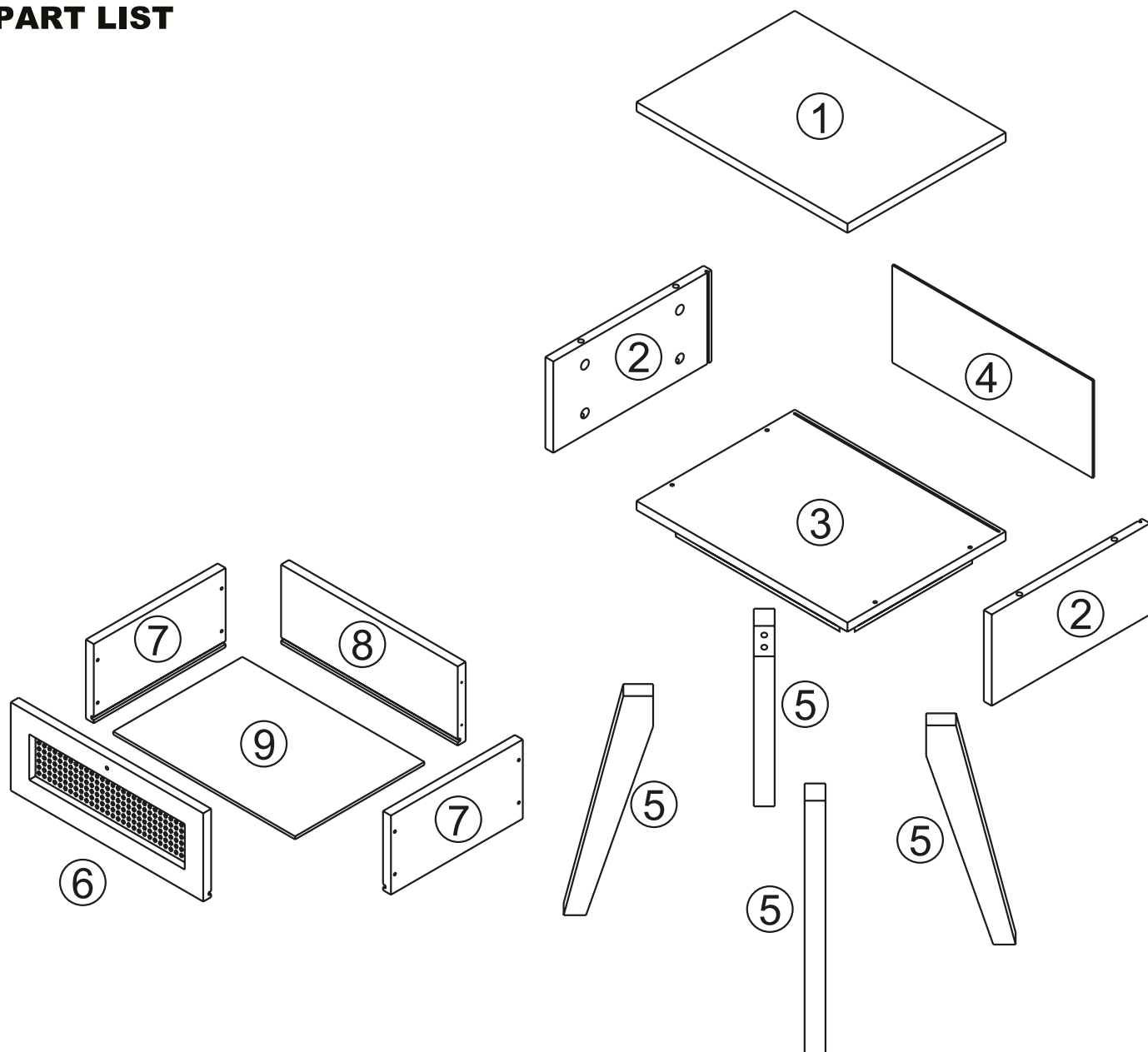
1 - 10

Manufactured for
 Gill HK Ltd BD4 9SW
 www.gillhk.com
 Made in China

MODEL NAME:
CANE 1 DRAWER BEDSIDE TABLE
ITEM CODE: G-0488, G-0489

NO.	PART LIST	QTY	NO.	PART LIST	QTY
1	TOP PANEL	1	6	FRONT DRAWER PANEL	1
2	SIDE PANEL	2	7	SIDE DRAWER PANEL	2
3	BOTTOM PANEL	1	8	BACK DRAWER PANEL	1
4	BACK PANEL	1	9	BOTTOM DRAWER PANEL	1
5	LEG	4			

PART LIST



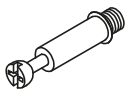
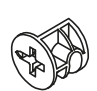
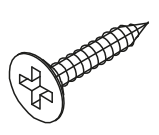
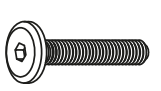

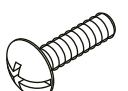

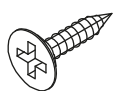
Max. Loading: 10kg

2 - 10

Manufactured for
 Gill HK Ltd BD4 9SW
 www.gillhk.com
 Made in China

MODEL NAME:
CANE 1 DRAWER BEDSIDE TABLE
ITEM CODE: G-0488, G-0489

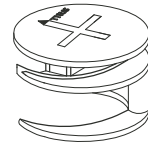
HARDWARE LIST

A	x 8	B	x 8	C	x 8	D	x 8	E	x 1
									
Dia. 6 x 40mm		Dia. 15 x 9mm		Dia. 4 x 20mm		Dia. 6 x 30mm			
Quickfit		Cam-Lock		Screw		Screw		Knob	
F	x 1	G	x 2	H	x 2				
									
Dia. 4 x 20mm				Dia. 3.5 x 12mm					
Bolt		Plastic Stopper		Screw					

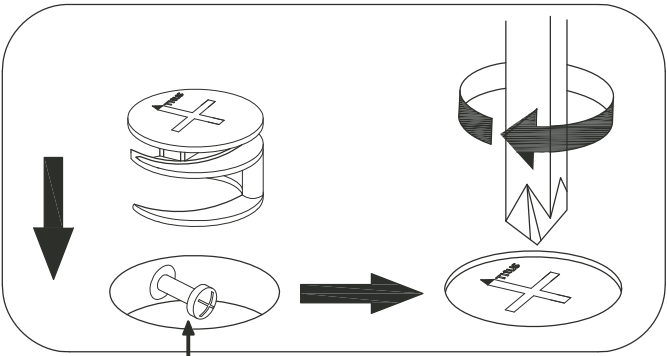
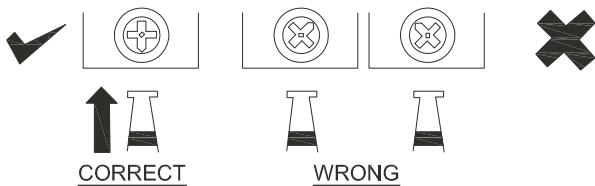
MODEL NAME:
CANE 1 DRAWER BEDSIDE TABLE
ITEM CODE: G-0488, G-0489

SPECIAL TIPS FOR FITTING CAM-LOCKS
AND QUICKFIT

CAM-LOCK



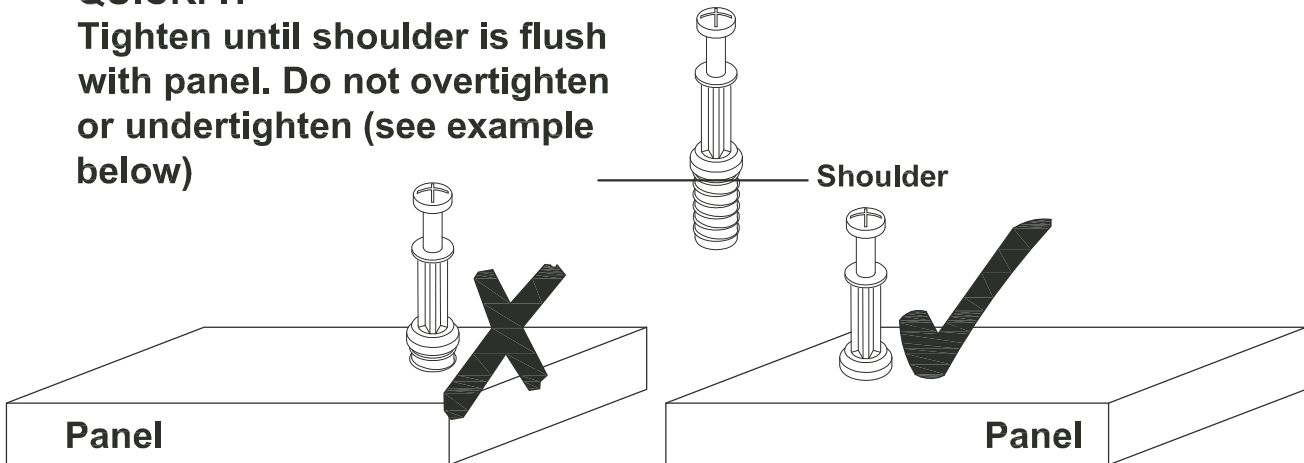
WHEN FITTING CAMLOCK
ENSURE STARTING POSITION IS CORRECT
BEFORE YOU INSERT CONNECTING QUICKFIT
TURN CLOCKWISE UNTIL SECURE



Quickfit head needs to be in centre

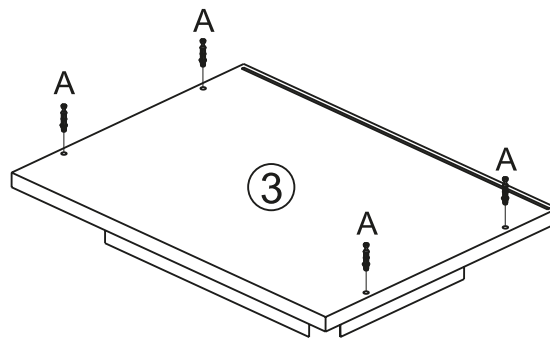
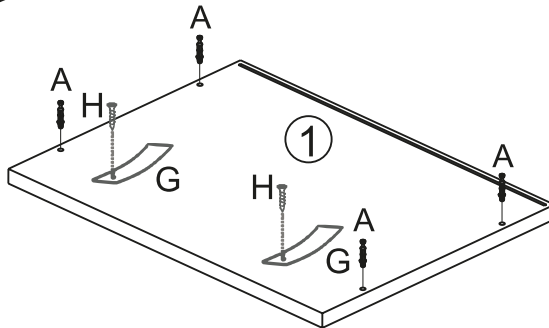
QUICKFIT

Tighten until shoulder is flush with panel. Do not overtighten or undertighten (see example below)



MODEL NAME:
CANE 1 DRAWER BEDSIDE TABLE
ITEM CODE: G-0488, G-0489

STEP 1



Dia. 6 x 40 mm

A x 8



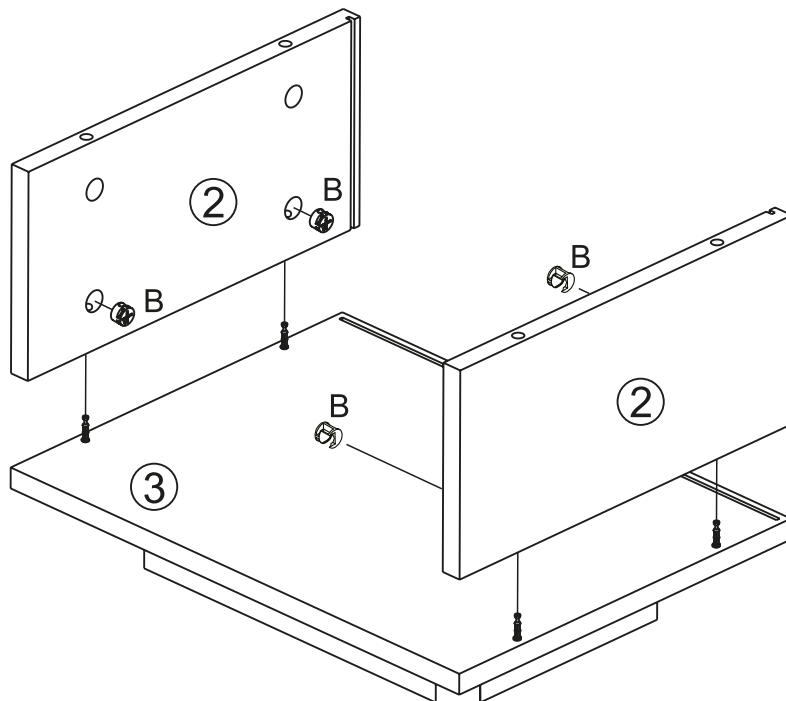
G x 2



Dia. 3.5 x 12 mm

H x 2

STEP 2



Dia. 15 x 9 mm

B x 4

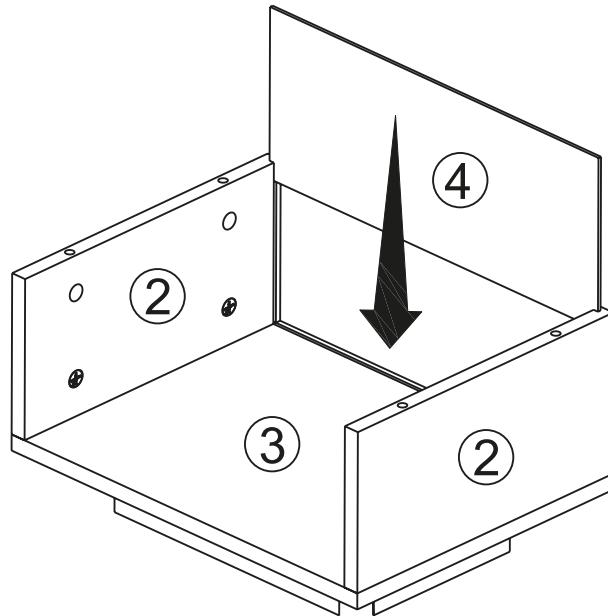
Max. Loading: 10kg

5 - 10

Manufactured for
Gill HK Ltd BD4 9SW
www.gillhk.com
Made in China

MODEL NAME:
CANE 1 DRAWER BEDSIDE TABLE
ITEM CODE: G-0488, G-0489

STEP 3

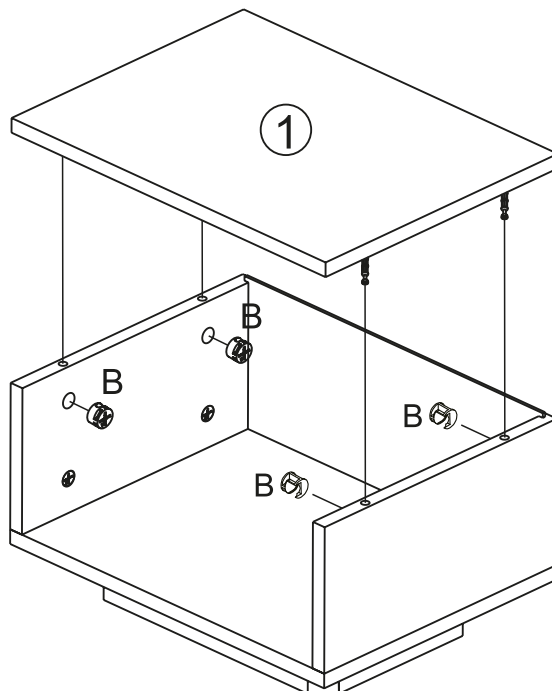


STEP 4



Dia. 15 x 9 mm

B x 4



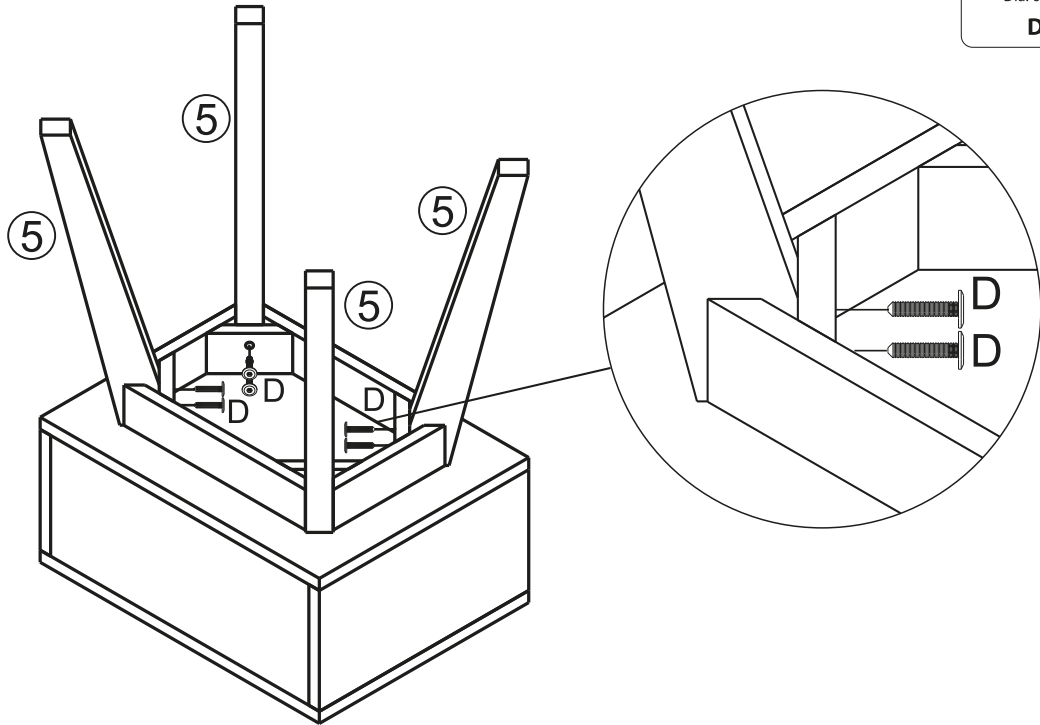
Max. Loading: 10kg

6 - 10

Manufactured for
Gill HK Ltd BD4 9SW
www.gillhk.com
Made in China

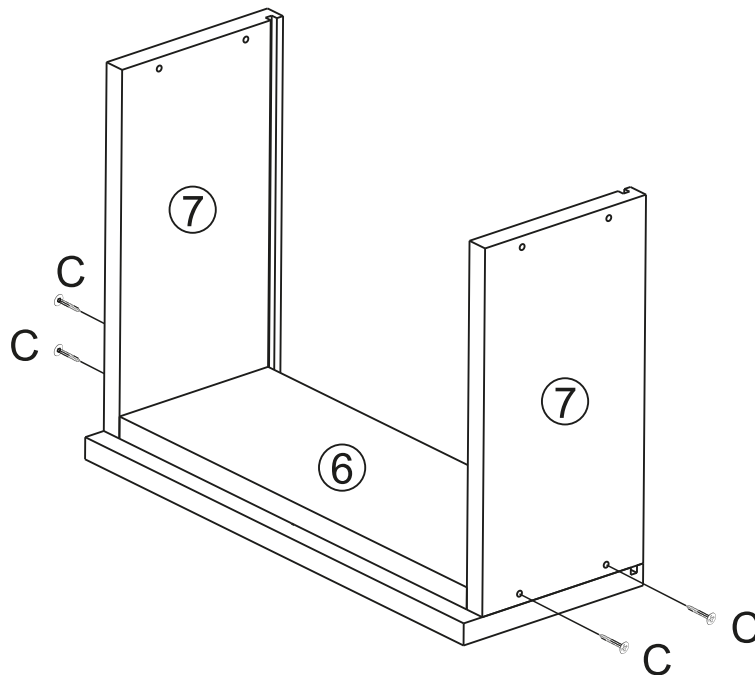
MODEL NAME:
CANE 1 DRAWER BEDSIDE TABLE
ITEM CODE: G-0488, G-0489

STEP 5




Dia. 6 x 30 mm
D x 8

STEP 6




Dia. 4 x 20 mm
C x 4

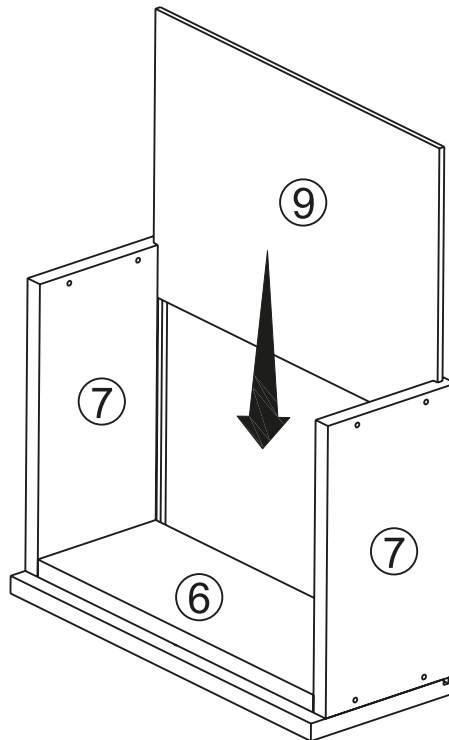
Max. Loading: 10kg

7 - 10

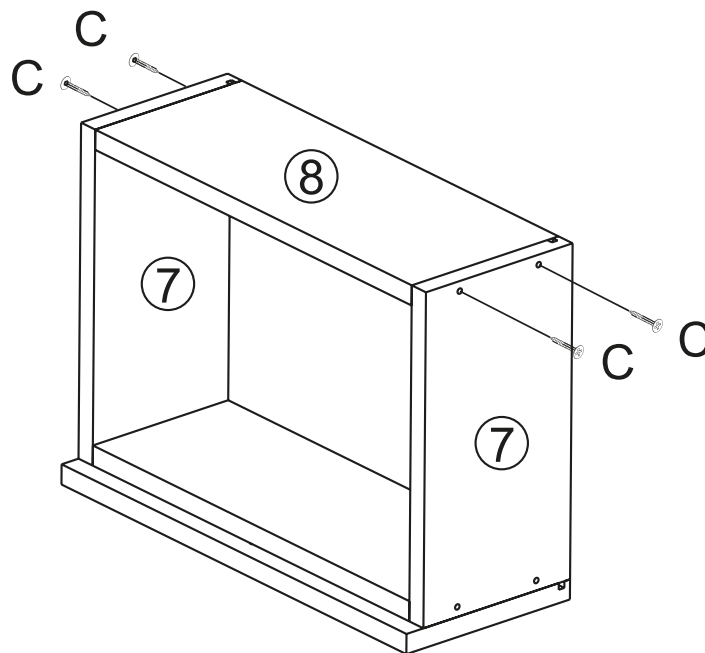
Manufactured for
Gill HK Ltd BD4 9SW
www.gillhk.com
Made in China

MODEL NAME:
CANE 1 DRAWER BEDSIDE TABLE
ITEM CODE: G-0488, G-0489

STEP 7



STEP 8



Dia. 4 x 20 mm

C x 4

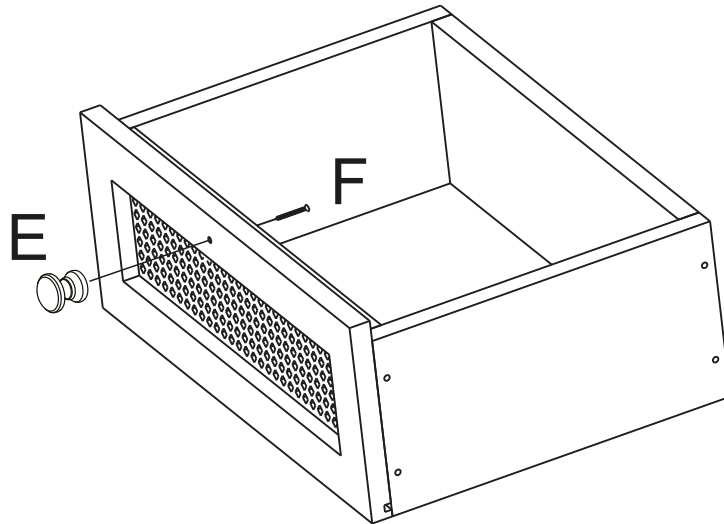
Max. Loading: 10kg

8 - 10

Manufactured for
Gill HK Ltd BD4 9SW
www.gillhk.com
Made in China

MODEL NAME:
CANE 1 DRAWER BEDSIDE TABLE
ITEM CODE: G-0488, G-0489

STEP 9



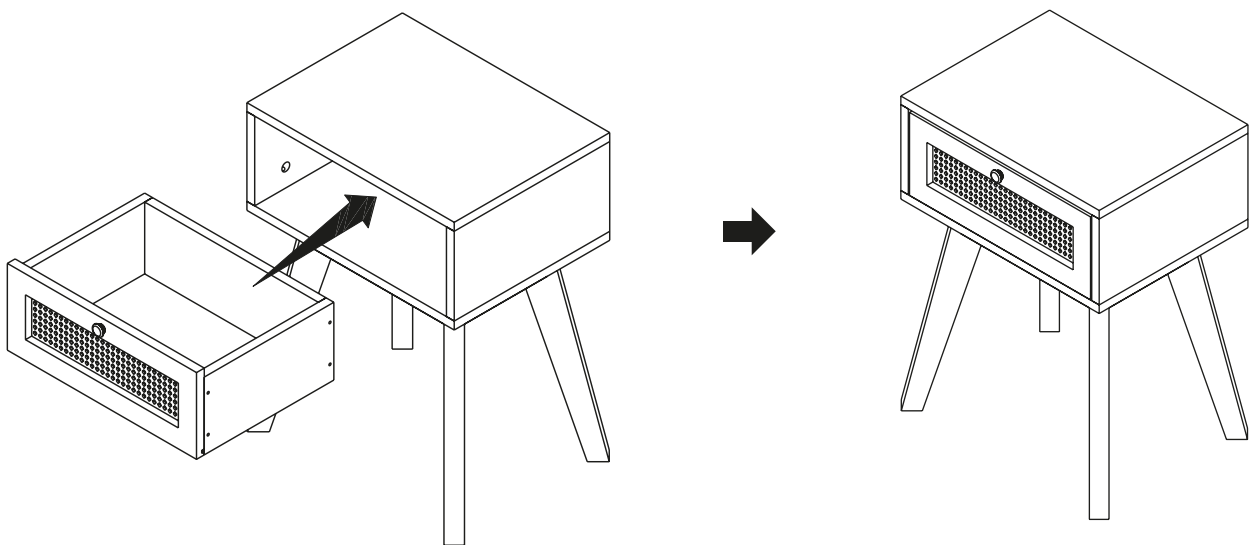
E x 1



Dia. 4 x 20 mm

F x 1

STEP 10



Max. Loading: 10kg

9 - 10

Manufactured for
Gill HK Ltd BD4 9SW
www.gillhk.com
Made in China

MODEL NAME:
CANE 1 DRAWER BEDSIDE TABLE
ITEM CODE: G-0488, G-0489



Safety Advice and Care Advice

KEEP ALL THE SAFETY ADVICE AND INSTRUCTIONS IN A SAFE PLACE FOR FUTURE REFERENCE!

⚠ WARNING! RISK OF LOSS OF LIFE OR ACCIDENT TO INFANTS AND CHILDREN! Never leave children unsupervised with the packaging materials. Danger of suffocation.

⚠ CAUTION! RISK OF INJURY! Make sure that all parts are undamaged and assembled correctly. Improper assembly carries a risk of injury. Damaged parts may affect the safety and function of the product.

- Make sure that this product is standing on a solid, level surface.

⚠ CAUTION! Do not leave children unsupervised! The product is not a climbing frame or a toy! Make sure that nobody, especially a child, climbs on or leans against the product.

- Distribute weight evenly across the product so that it cannot overturn.
- Do not load more than a total of 10kg onto the product, otherwise there is a risk of injury and/or damage to the product.
- Check that the product is stable before using it.
- Do not lift or move the product when it is loaded.
- Keep away from fire and inflammable objects.
- **Wipe clean with a damp cloth.**
- **Wipe dry with a clean cloth.**
- **Spillages must be promptly cleaned up with a damp cloth and dried with a clean cloth.**
- Make sure that all screws and fixings are secure before use.
- Do not place very hot or very cold items on the surface(s) unless adequately thick table mats are used.
- Please periodically check all fittings and re-tighten as necessary.
- Domestic use only.



Domestic use only

Max. Loading: 10kg

10 - 10

Manufactured for
Gill HK Ltd BD4 9SW
www.gillhk.com
Made in China