

**Wishing Well Planter**  
**ITEM CODE: G-0502**  
**Assembly Instruction**

**30MINS**

APPROXIMATE ASSEMBLY TIME



2 PEOPLE ASSEMBLY

FLOOR AREA  
1Mx1M

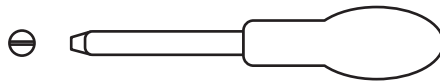


REQUIRED ASSEMBLY SPACE

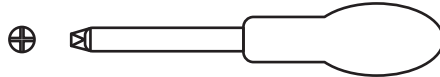
**REQUIRED ASSEMBLY TOOLS**



WRENCH (Not Provided)



SCREWDRIVER (not included)

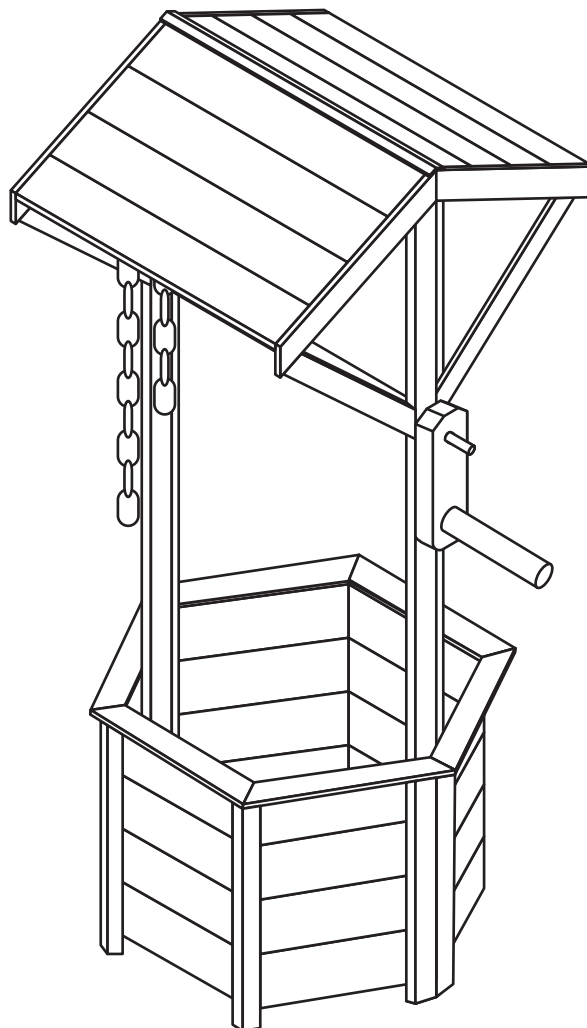


POZI SCREWDRIVER (not included)



ONE METER TO MEASURE (not included)

**ASSEMBLED DIMENSIONS**






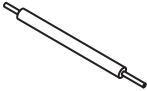
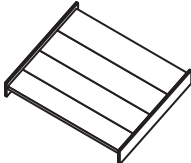


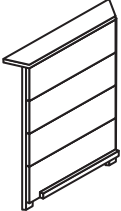
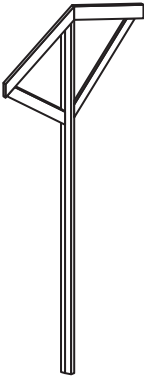
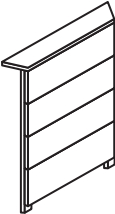
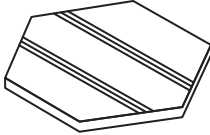


# Wishing Well Planter

## ITEM CODE: G-0502

### Assembly Instruction

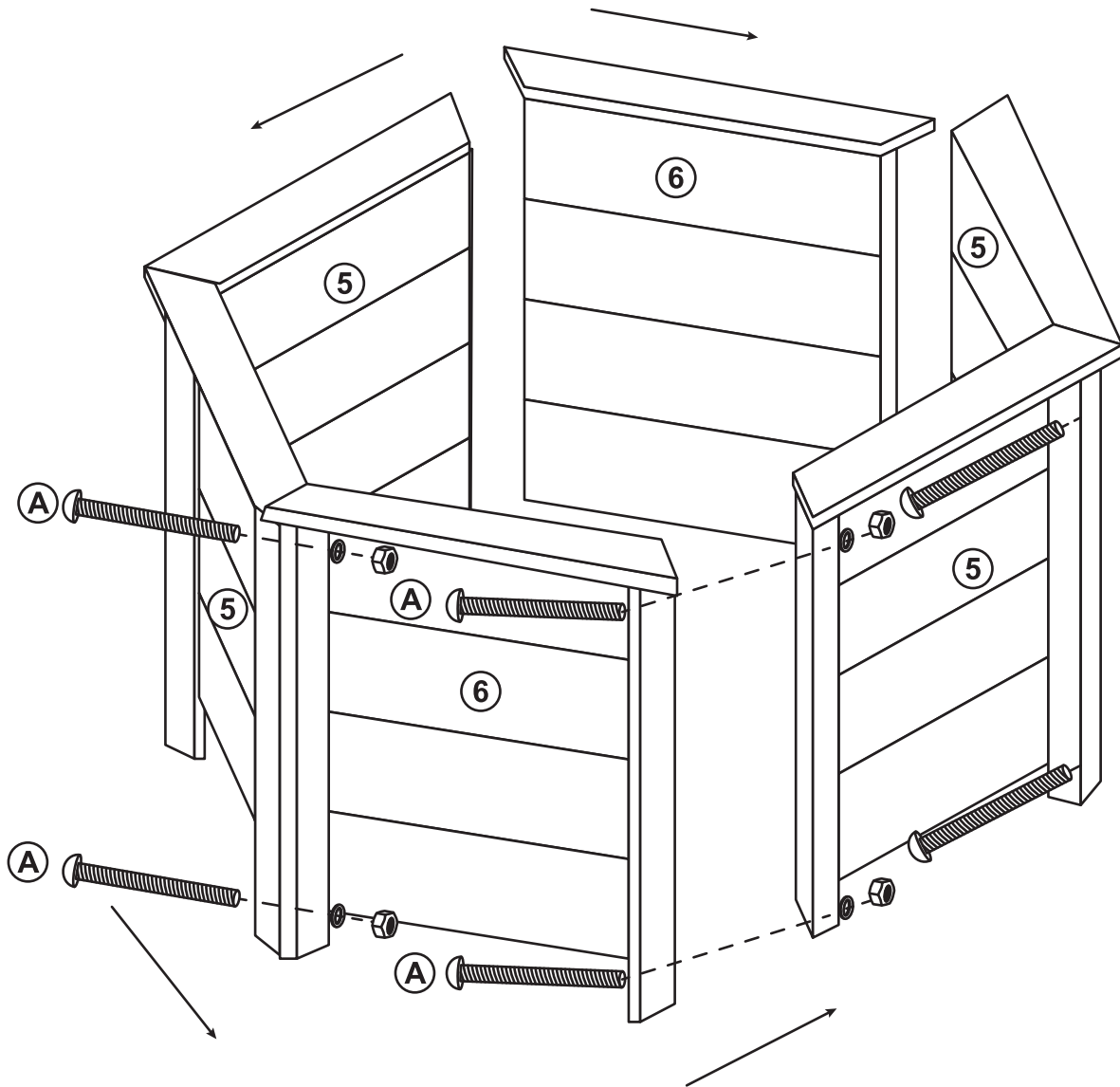
## MATERIAL LIST

			
Ø4 * 40mm	Ø4 * 50mm	Ø3 * 25mm	Ø3 * 12mm
<b>A X 12</b>	<b>B X 4</b>	<b>C X 9</b>	<b>D X 4</b>
			
1200mm			
<b>E X 1</b>	<b>1 X 1</b>	<b>2 X 2</b>	<b>3 X 1</b>
			
<b>4 X 1</b>	<b>5 X 4</b>		
			
<b>6 X 2</b>	<b>8 X 1</b>		<b>7 X 2</b>

# Wishing Well Planter

ITEM CODE: G-0502  
Assembly Instruction

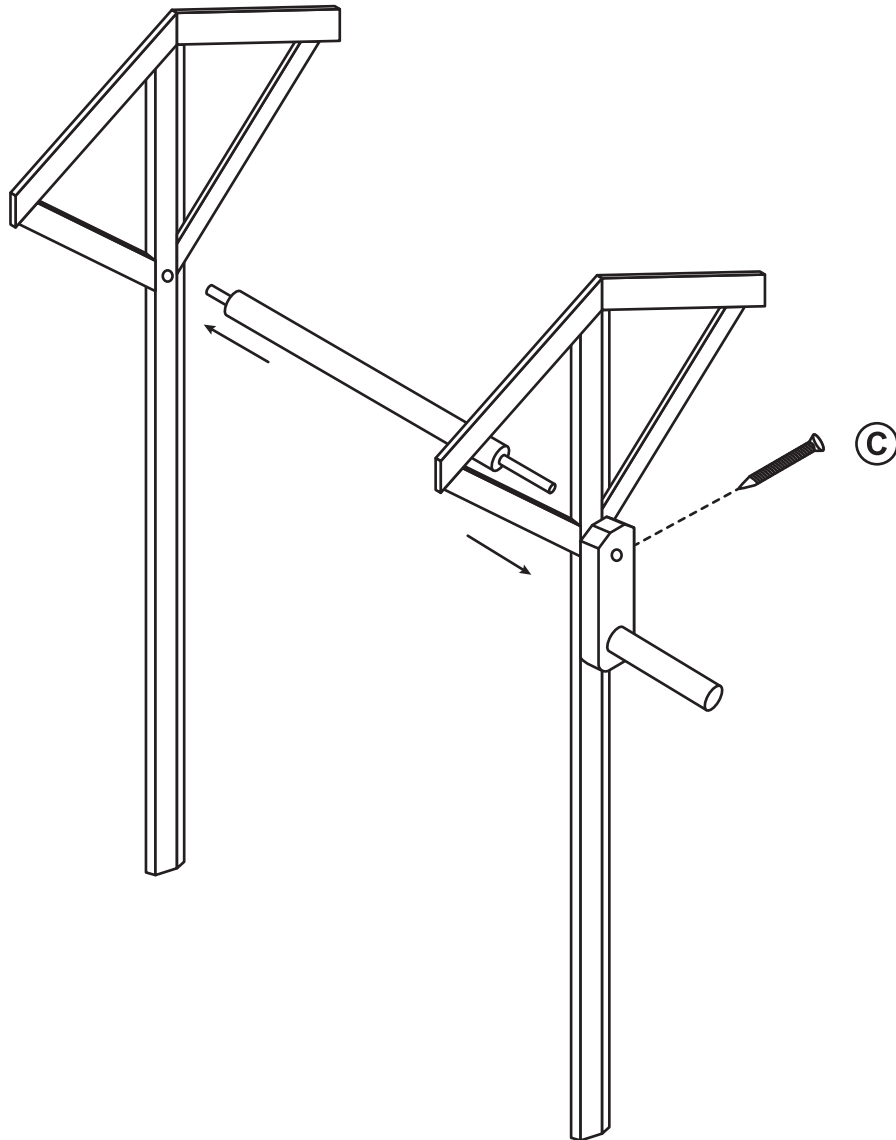
## STEP 1



# Wishing Well Planter

ITEM CODE: G-0502  
Assembly Instruction

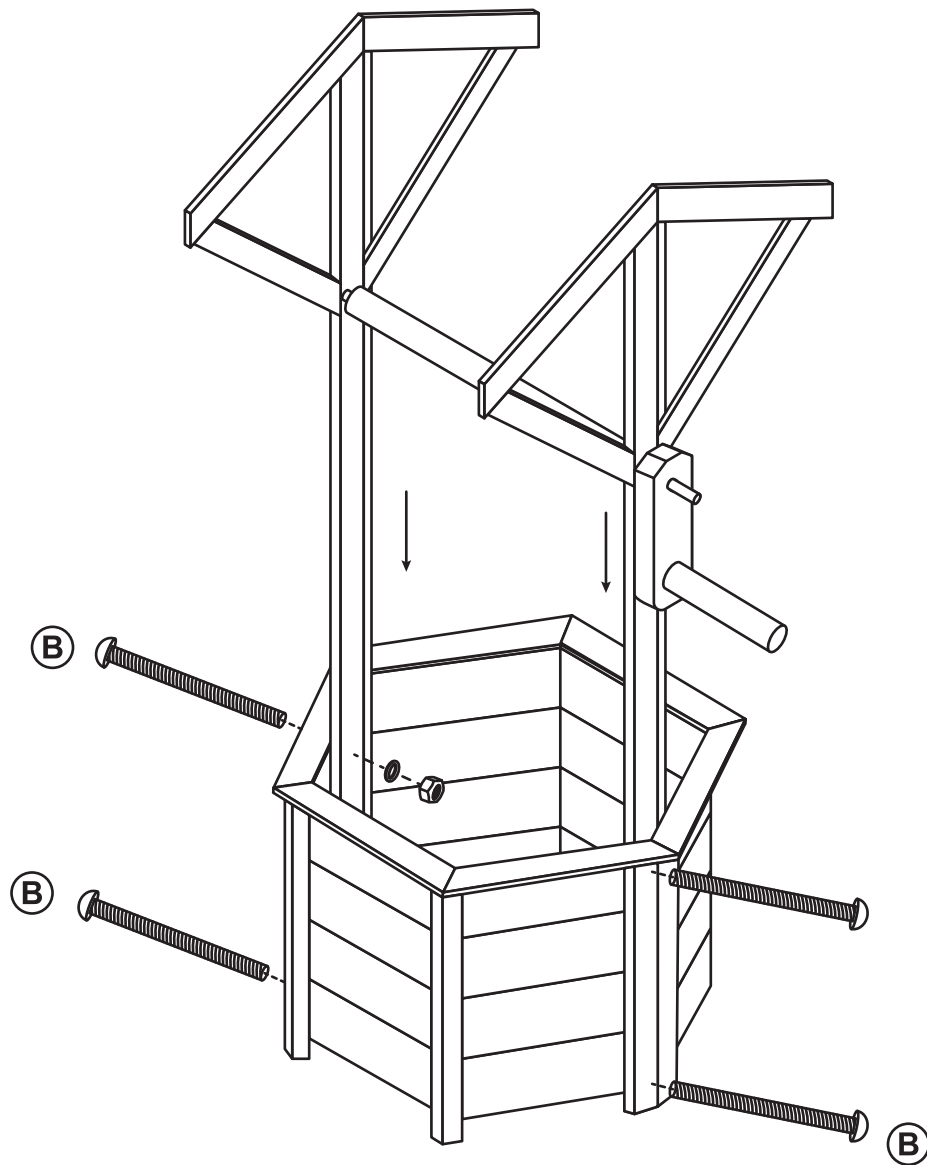
## STEP 2



# Wishing Well Planter

ITEM CODE: G-0502  
Assembly Instruction

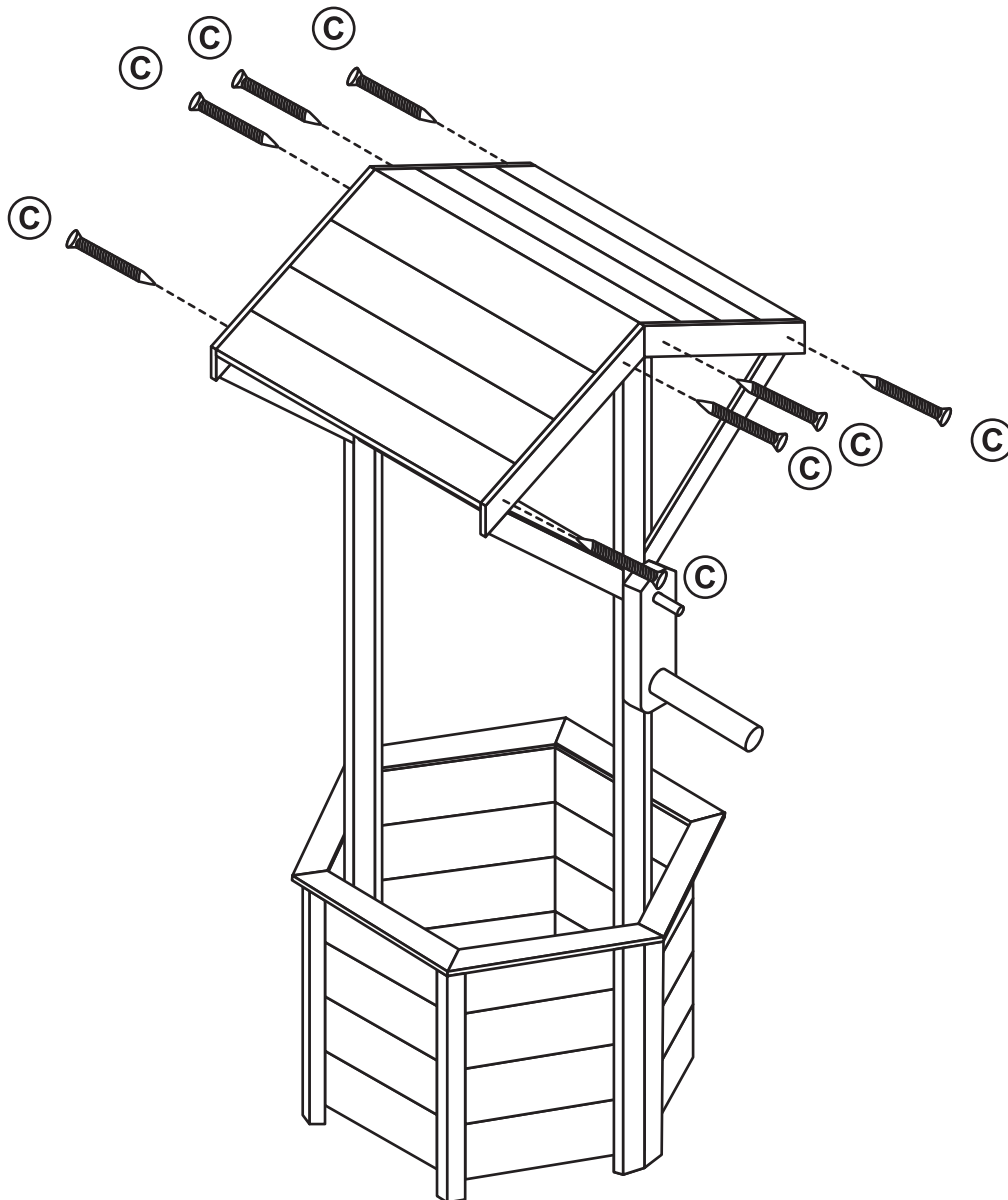
## STEP 3



# Wishing Well Planter

ITEM CODE: G-0502  
Assembly Instruction

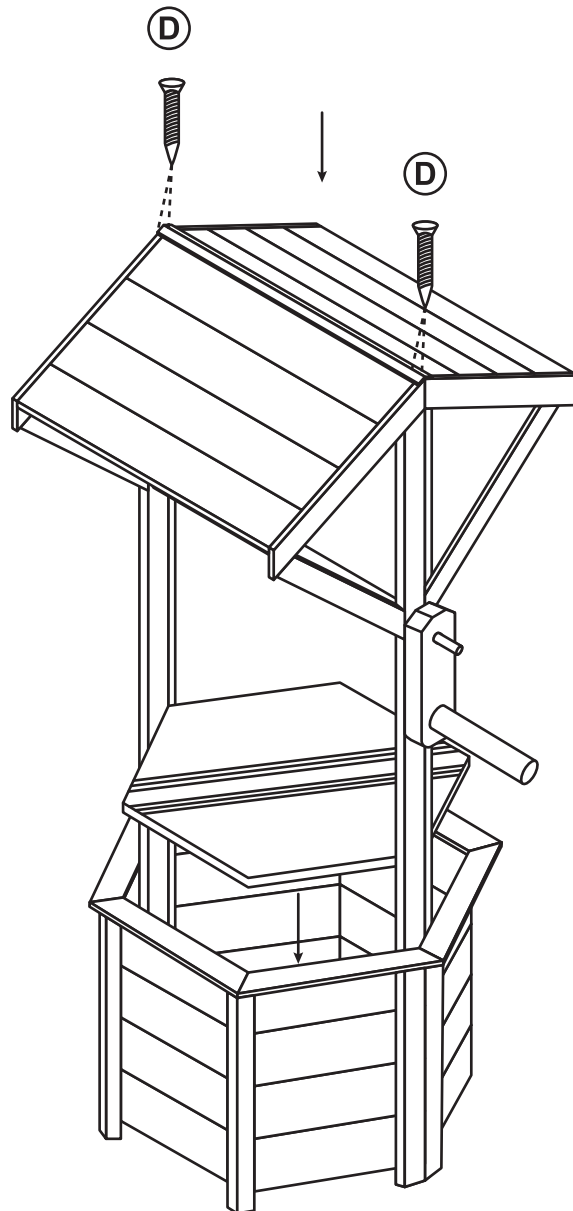
## STEP 4



# Wishing Well Planter

ITEM CODE: G-0502  
Assembly Instruction

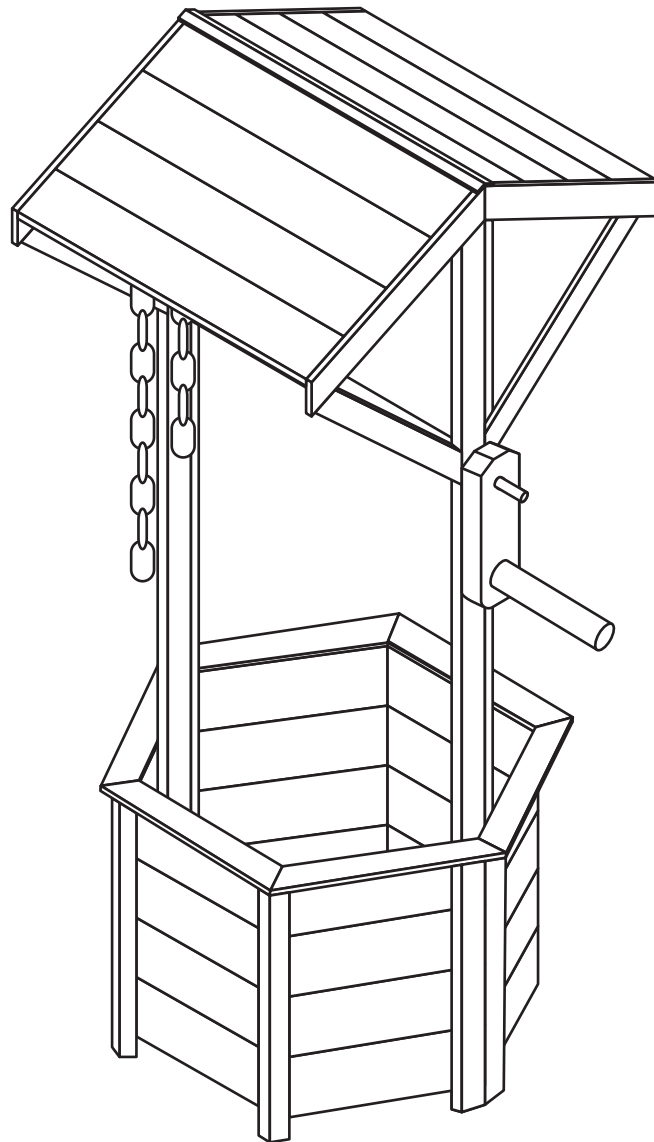
## STEP 5



# Wishing Well Planter

ITEM CODE: G-0502  
Assembly Instruction

## STEP 6



# Wishing Well Planter

ITEM CODE: G-0502

## Assembly Instruction

**IMPORTANT: PLEASE RETAIN THIS INSTRUCTION MANUAL FOR FUTURE REFERENCE. PLEASE READ CAREFULLY.**

### **WARNING:**

- Do not stand on or use any part of this item as a step ladder.
- Firmly secure all bolts, screws, and knobs before use.
- Suggest rechecking that all bolts, screws, and knobs are secure every 30 days.
- Do not use or store this itm in the proximity of open flame or flammable / combustible chemicals.
- Keep away from fire.
- Be aware that some parts are heavy and have sharp edges.
- If any parts are missing, broken, damaged, or worn, stop using this product until repairs are made and / or factory replacement parts are installed.
- Do not use this item in a way inconsistent with the manufacturer's instructions as this could void the product warranty.
- This is not a toy. Keep out of reach of children.

