

**FOLDABLE DINNING SET**  
**ITEM CODE: MT10009**  
**ASSEMBLY INSTRUCTION**

**2 hr**

APPROXIMATE ASSEMBLY TIME



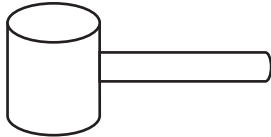
1 PEOPLE ASSEMBLY

FLOOR AREA  
2MX2M

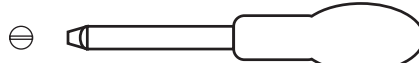


REQUIRED ASSEMBLY SPACE

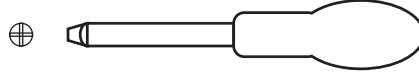
**REQUIRED ASSEMBLY TOOLS**



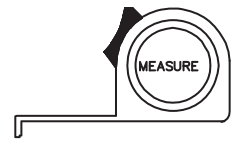
SOFT RUBBER HAMMER (Not Provided)



SLOTTED SCREWDRIVER (Not Provided)

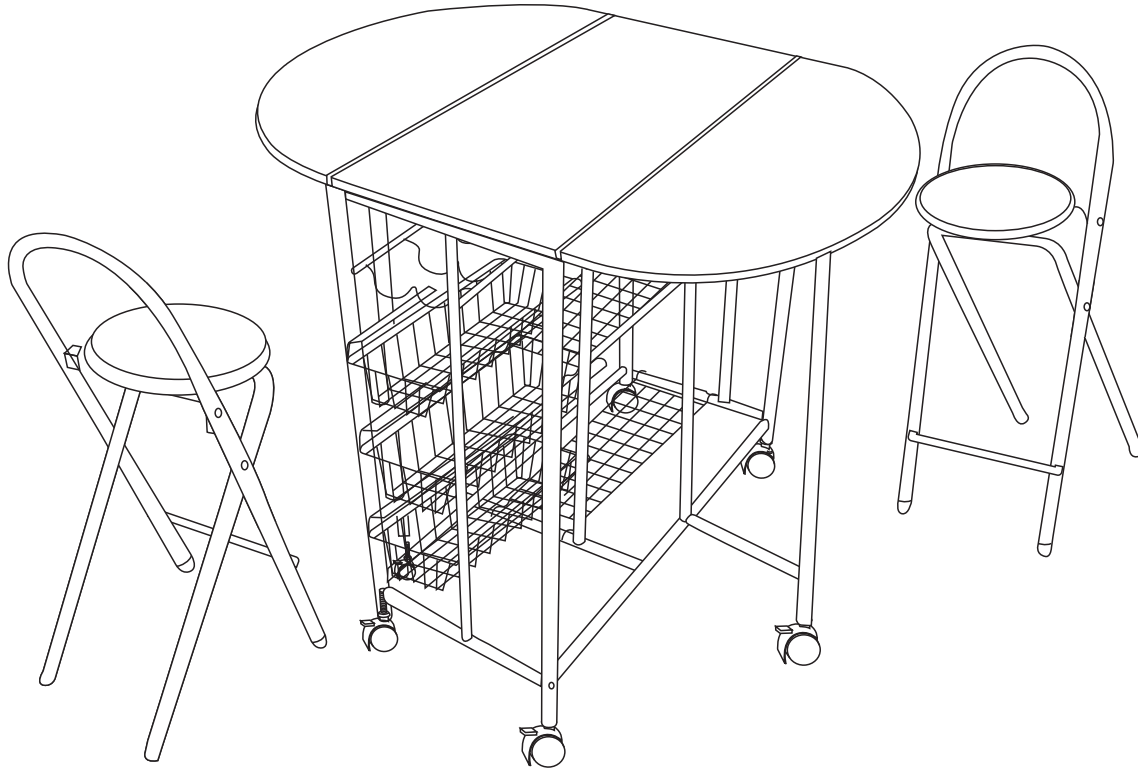


POZI SCREWDRIVER (Not Provided)



MEASURING TAPE (Not Provided)

**ASSEMBLED DIMENSIONS**


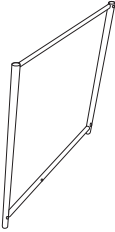
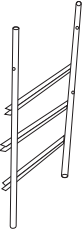
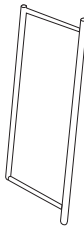





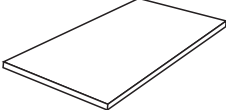
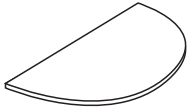
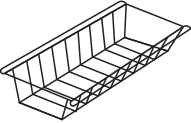
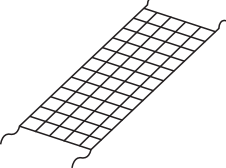
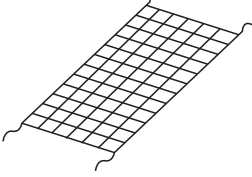
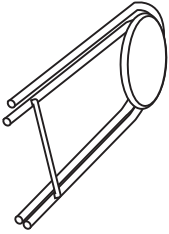





# FOLDABLE DINNING SET

## ITEM CODE MT10009


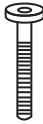
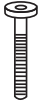
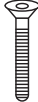




### ASSEMBLY INSTRUCTION

#### PART LIST

<b>A</b>	<b>1</b>	<b>B</b>	<b>1</b>	<b>C</b>	<b>1</b>	<b>D</b>	<b>2</b>			
										
<b>E</b>	<b>1</b>	<b>F</b>	<b>6</b>	<b>F1</b>	<b>4</b>	<b>G</b>	<b>1</b>	<b>G1</b>	<b>1</b>	
		 300mm				 182mm		 185mm		
<b>H</b>	<b>1</b>	<b>I</b>	<b>1</b>	<b>J</b>	<b>2</b>					
 250mm 255mm										
<b>K</b>	<b>3</b>		<b>L</b>	<b>1</b>		<b>M</b>	<b>1</b>			
										
<b>N</b>	<b>2</b>		<b>O</b>	<b>2</b>		<b>P</b>	<b>4</b>		<b>Q1</b>	<b>6</b>
										

**FOLDABLE DINNING SET  
ITEM CODE MT10009  
ASSEMBLY INSTRUCTION**

**HARDWARE LIST**

<b>Q2</b>	<b>36</b>	<b>R</b>	<b>10</b>	<b>S</b>	<b>15</b>	<b>T</b>	<b>5</b>
							
		6 X 40mm	6 X 35mm	6 X 35mm			
<b>U</b>	<b>2</b>	<b>V</b>	<b>6</b>	<b>W</b>	<b>1</b>	<b>X</b>	<b>4</b>
							
6 X 12mm					6 X 28mm		

# FOLDABLE DINNING SET

## ITEM CODE MT10009

### ASSEMBLY INSTRUCTION



#### Safety Advice and Care Advice

KEEP ALL THE SAFETY ADVICE AND INSTRUCTIONS IN A SAFE PLACE FOR FUTURE REFERENCE!



#### **WARNING! RISK OF LOSS OF LIFE OR ACCIDENT**

**TO INFANTS AND CHILDREN!** Never leave children unsupervised with the packaging materials. Danger of suffocation.



**CAUTION! RISK OF INJURY!** Make sure that all parts are undamaged and assembled correctly. Improper assembly carries a risk of injury. Damaged parts may affect the safety and function of the product.

- Adult assembly required.
- Power tools are not recommended for this product.
- Make sure that this product is stable & used only on a solid & flat surface.
- Do not use this product unless all screws and fixings are secure firmly secured.
- Do not leave children unsupervised! The product is not a climbing frame or a toy!
- Do not stand, sit or lean on this product
- Do not use this product as a step ladder or as a chopping surface.
- Do not lift or move the product when it is loaded.
- Do not load more than a total of 10kg onto the unit, otherwise there is a risk of injury and/or damage to the product
- Distribute weight evenly across the product so that it cannot overturn.
- Do not place hot items such as coffee cups directly on the surface(s) unless adequately thick table mats are used.
- Please periodically check all fittings and re-tighten as necessary.
- For Indoor & Domestic use only.

#### **Care instructions:**

- Wipe clean with a dry cloth.
- Do not use scourers, abrasive or chemical solvents.
- Keep away from moisture and direct sunlight.
- Keep away from fire and inflammable objects.
- Store in a dry place.

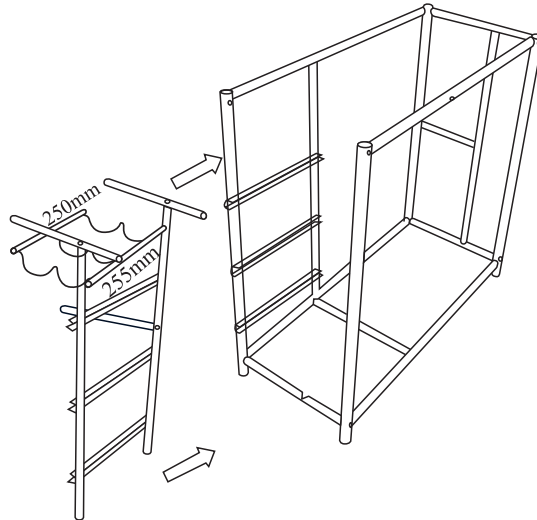


# FOLDABLE DINNING SET

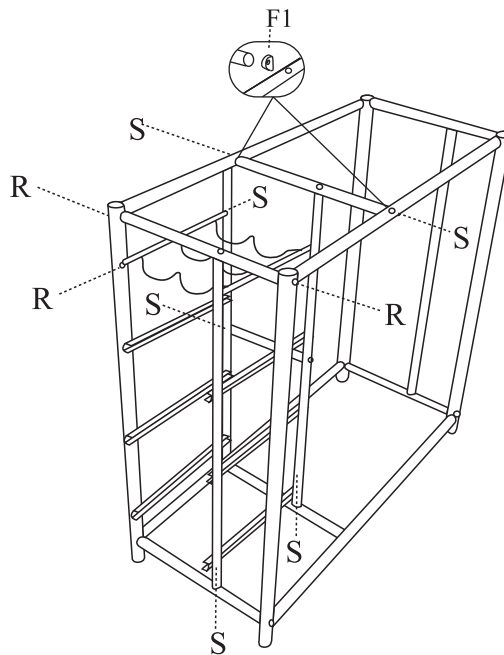
## ITEM CODE MT10009

### ASSEMBLY INSTRUCTION

#### STEP 3



#### STEP 4

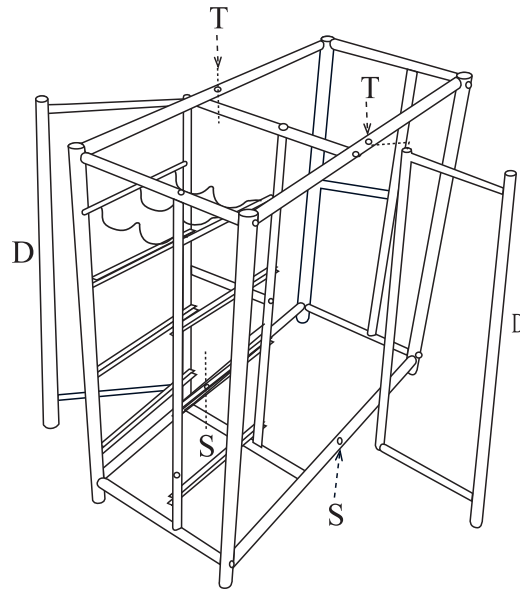


# FOLDABLE DINNING SET

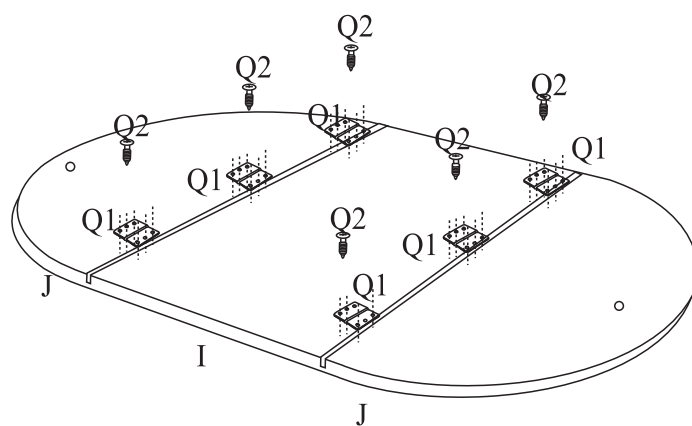
## ITEM CODE MT10009

### ASSEMBLY INSTRUCTION

#### STEP 5



#### STEP 6

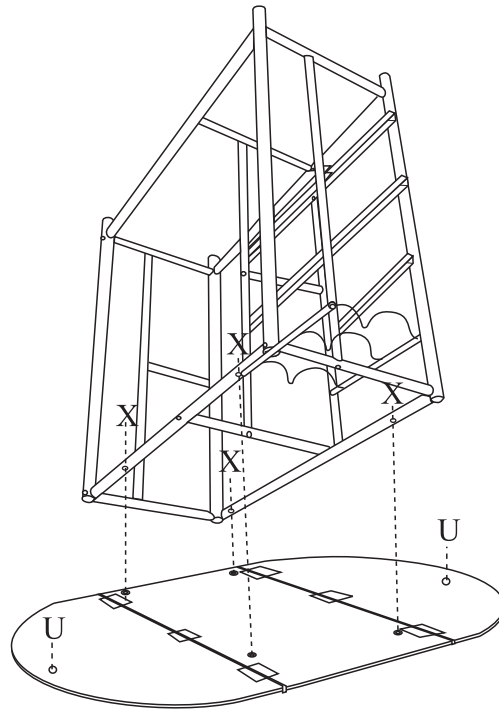


# FOLDABLE DINNING SET

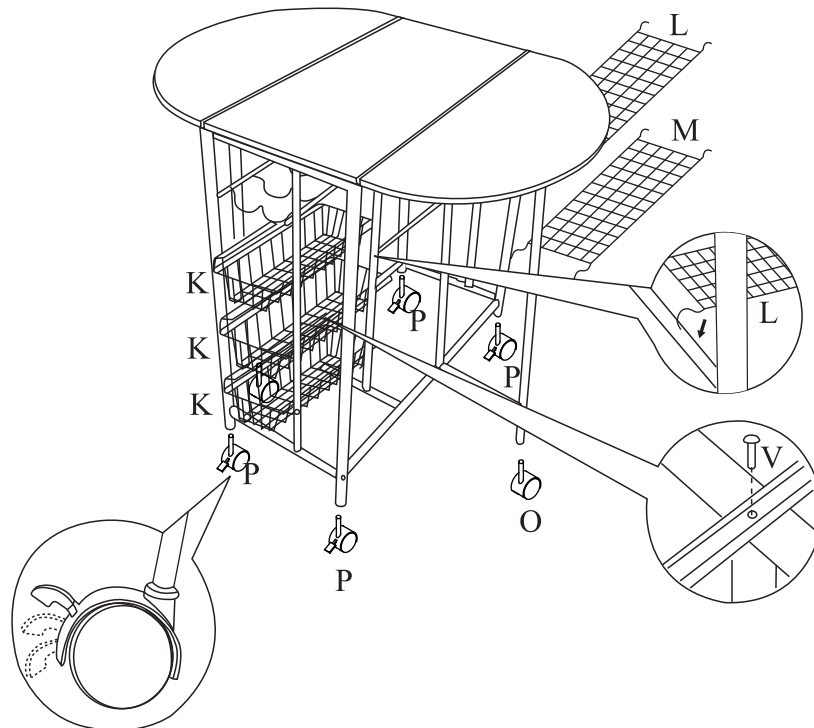
## ITEM CODE MT10009

### ASSEMBLY INSTRUCTION

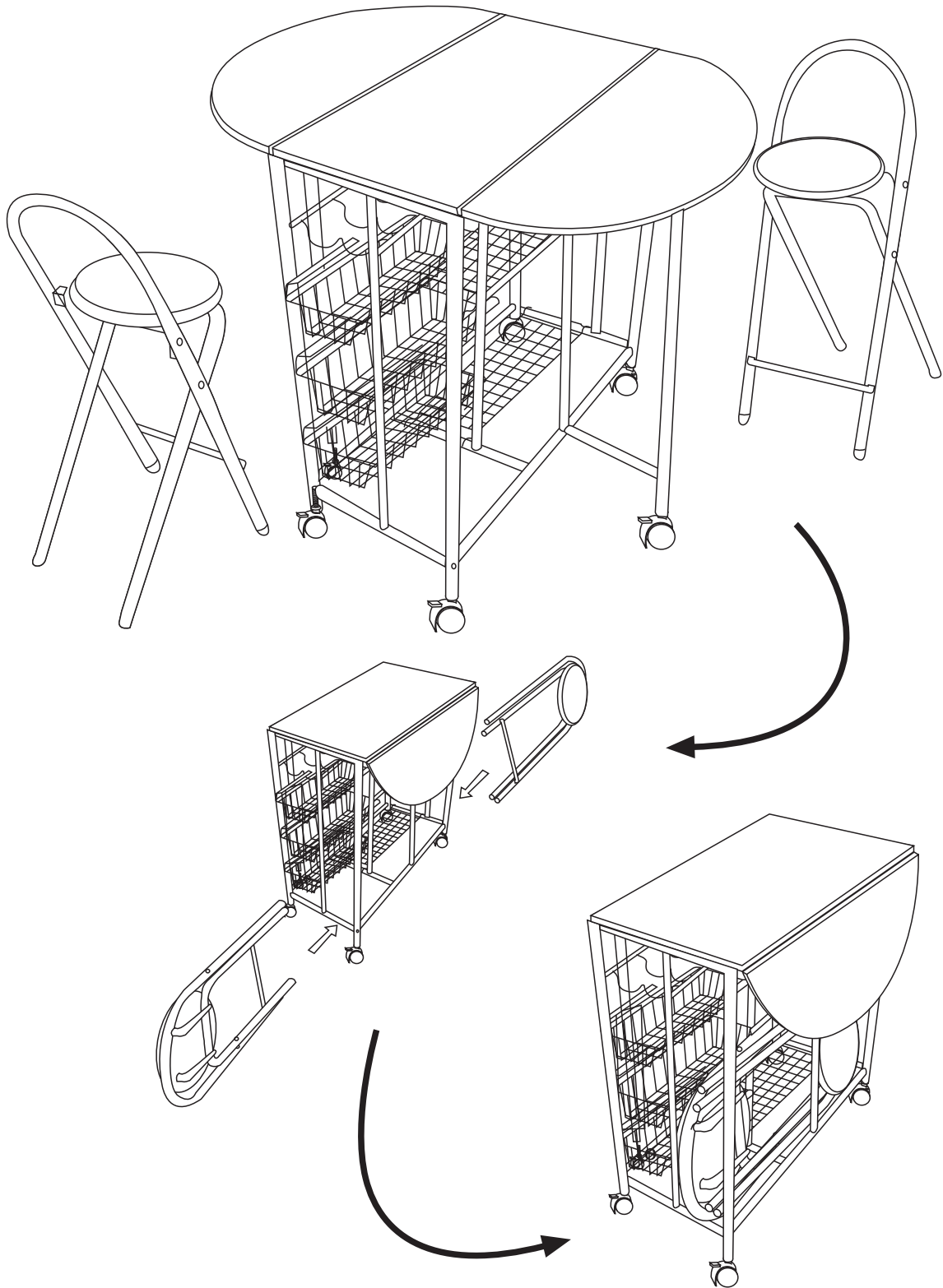
#### STEP 7



#### STEP 8



**FOLDABLE DINNING SET**  
**ITEM CODE MT10009**  
**ASSEMBLY INSTRUCTION**



# FOLDABLE DINNING SET

## ITEM CODE MT10009

### ASSEMBLY INSTRUCTION



#### Safety Advice and Care Advice

KEEP ALL THE SAFETY ADVICE AND INSTRUCTIONS IN A SAFE PLACE FOR FUTURE REFERENCE!



#### **WARNING! CHILDREN AT RISK.**

**TO INFANTS AND CHILDREN!** Never leave children unsupervised with the packaging materials. Danger of suffocation.



**CAUTION! RISK OF INJURY!** Never leave children unsupervised with the packaging materials. Danger of suffocation.

- Make sure that this product is standing on a solid, level surface.
- ⚠ **CAUTION:** Do not leave children unsupervised. The product is not a climbing frame or a toy. Make sure that nobody, especially a child, climbs on or leans against the product.
- Distribute weight evenly across the product so that it cannot overturn.
- Do not put anything on the product that weighs over 25kg, to prevent the risks of injury and/or damage.
- Check the product's stability before use.
- Do not lift up or move the product when it is overloaded.
- Keep away from fire and inflammable objects
- Wipe with a damp cloth.
- Ensure that all the screws and fasteners have been fixed before use.
- Do not place very hot or very cold products on the surface unless you add a place mat on top.
- Check the fasteners every and then and tighten if needed.
- For domestic use only.

Take note

**WARNING. TIP OVER PREVENTION** - An unfixed furniture is likely to tip-over. All furniture should be fixed on the wall with a tip-over restraint. The restraint variety depends on the product's material. Choose the type of restraints according to the type of walls. (restraints not included).