

**END TABLE**  
**Item Code: G-0534**  
**Assembly Instruction**

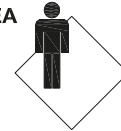
**30 mins**

APPROXIMATE ASSEMBLY TIME

**1 PERSON ASSEMBLY**

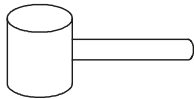


FLOOR AREA  
 1.0M X 1.0M

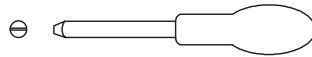


REQUIRED ASSEMBLY SPACE

**REQUIRED ASSEMBLY TOOLS**



SOFT RUBBER HAMMER(NOT PROVIDED)



SLOTTED SCREWDRIVER(NOT PROVIDED)



POZI SCREWDRIVER(NOT PROVIDED)

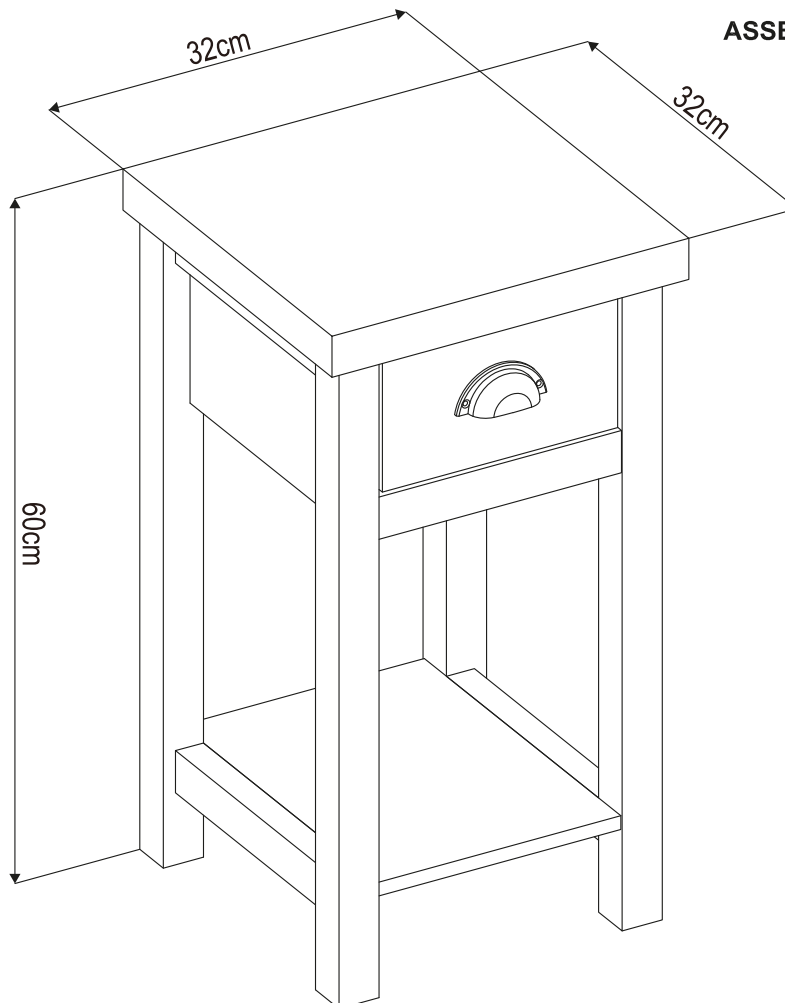


MEASURING TAPE(NOT PROVIDED)



ELECTRIC DRILL(NOT PROVIDED)

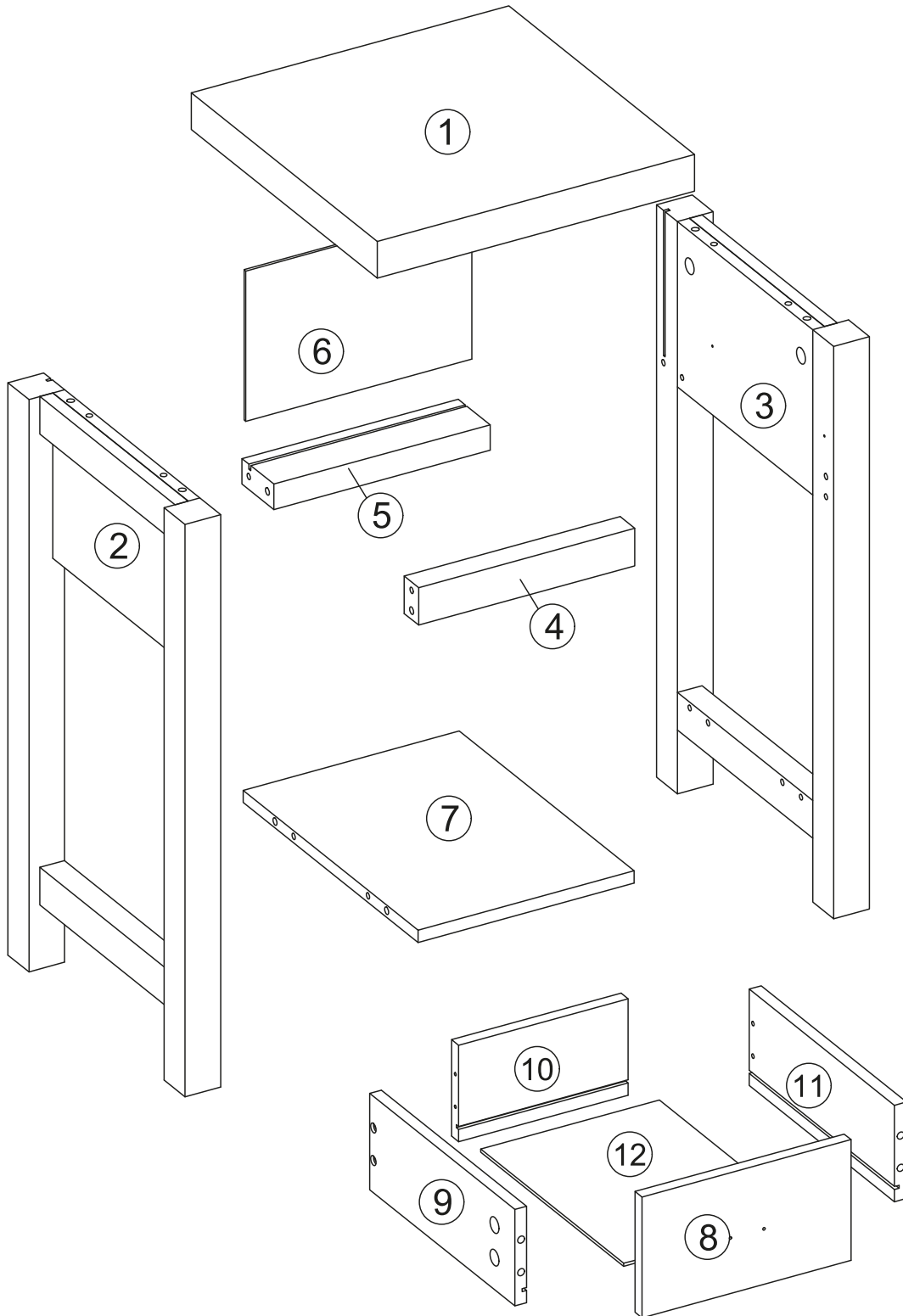
**ASSEMBLED DIMENSIONS**



Max. Loading :10kg

# END TABLE

Item Code: G-0534  
Assembly Instruction



Max. Loading :10kg

2/13









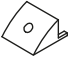





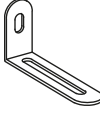

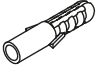
Manufactured for Gill HK Ltd BD4 9SW  
www.gillhk.com  
Made in China

# END TABLE

## Item Code: G-0534

### Assembly Instruction

#### HARDWARE LIST

(A)	 16pcs	(B)	 16pcs	(C)	 12pcs	(D)	 5pcs
(E)	 4pcs	(F)	 1pc	(G)	 2pcs	(H)	 12pcs
(I)	 4pcs	(J)	 4pcs	(K)	 1pc	(L)	 1pc
(M)	 1pc	(N)	 1pc	(O)	 1pc	(P)	 1pc
(Q)	 1pc						

# END TABLE

## Item Code: G-0534

### Assembly Instruction

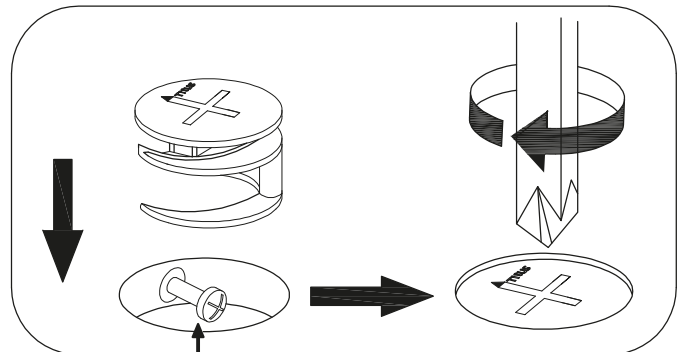
## SPECIAL TIPS FOR FITTING CAM-LOCKS AND QUICKFIT



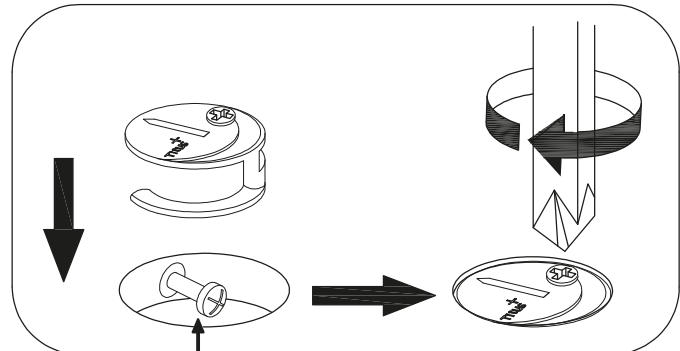
WHEN FITTING CAMLOCK  
ENSURE STARTING POSITION IS CORRECT  
BEFORE YOU INSERT CONNECTING QUICKFIT  
TURN CLOCKWISE UNTIL SECURE

**CORRECT**

**WRONG**



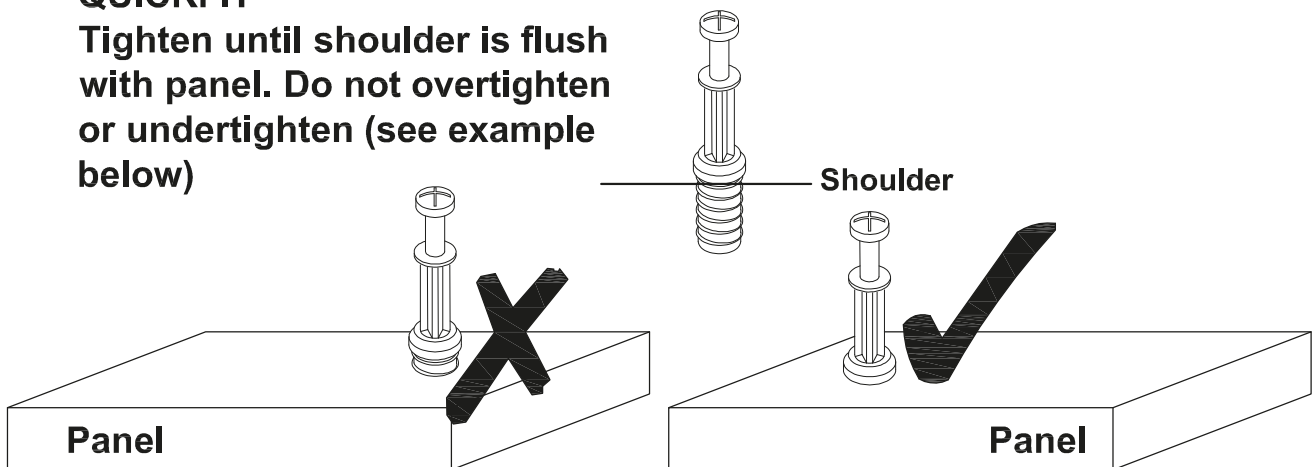
**Quickfit head needs to be in centre**



**Quickfit head needs to be in centre**

**QUICKFIT**

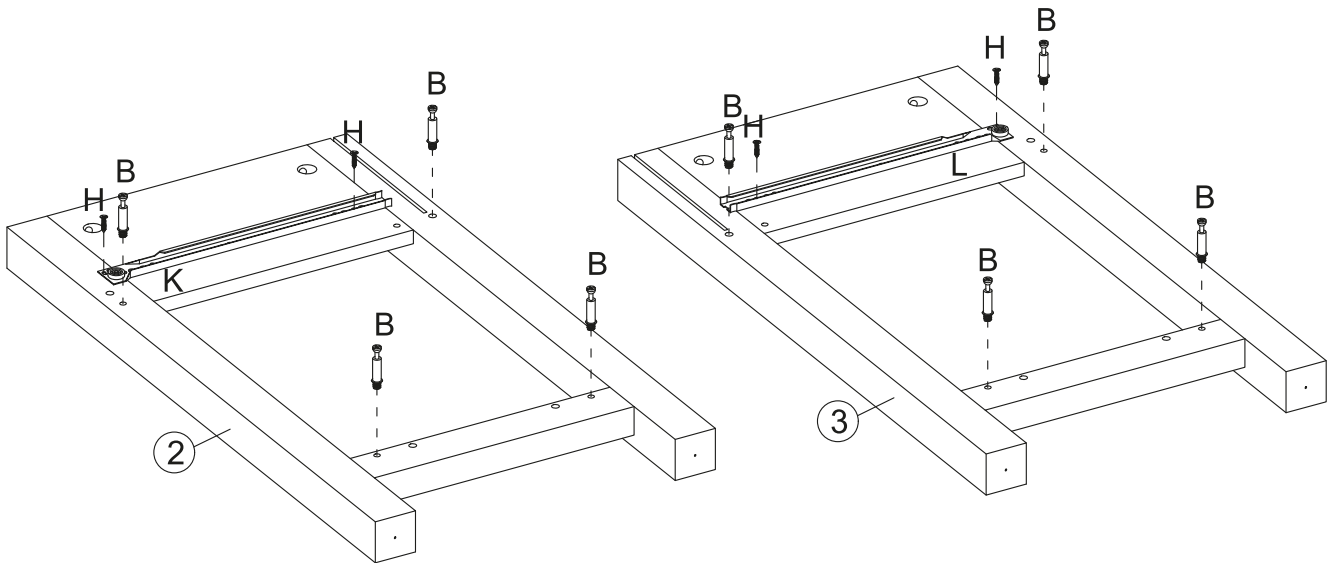
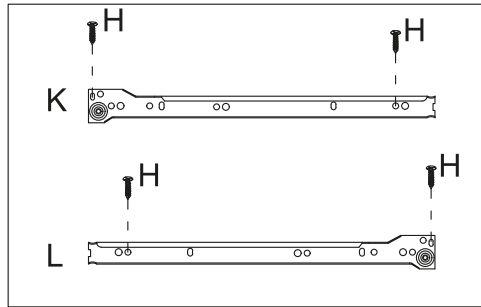
**Tighten until shoulder is flush with panel. Do not overtighten or undertighten (see example below)**



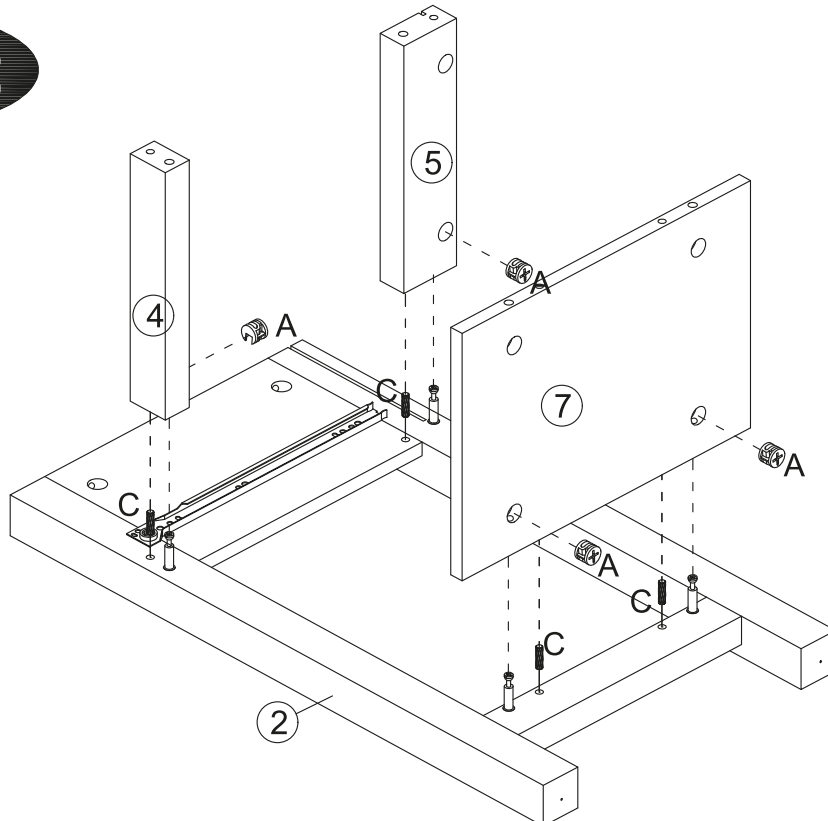
# END TABLE

Item Code: G-0534  
Assembly Instruction

## STEP 1



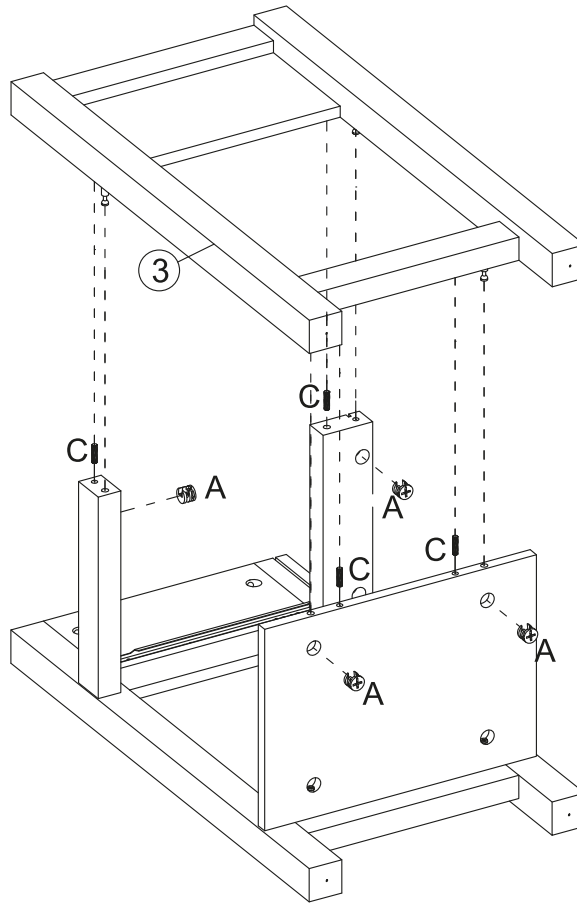
## STEP 2



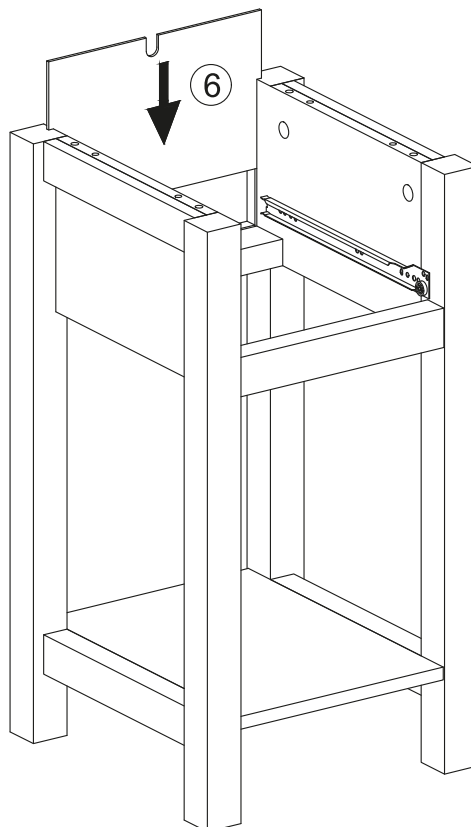
# END TABLE

Item Code: G-0534  
Assembly Instruction

**STEP 3**



**STEP 4**



Max. Loading :10kg

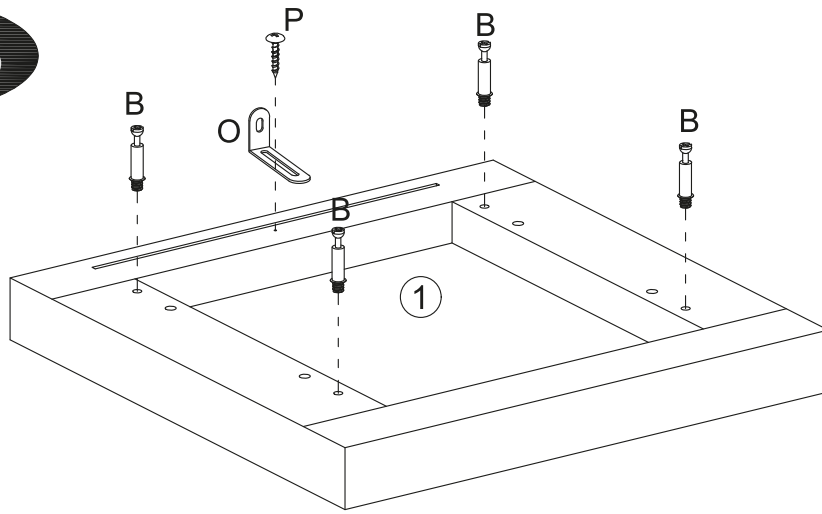
6/13

Manufactured for Gill HK Ltd BD4 9SW  
www.gillhk.com  
Made in China

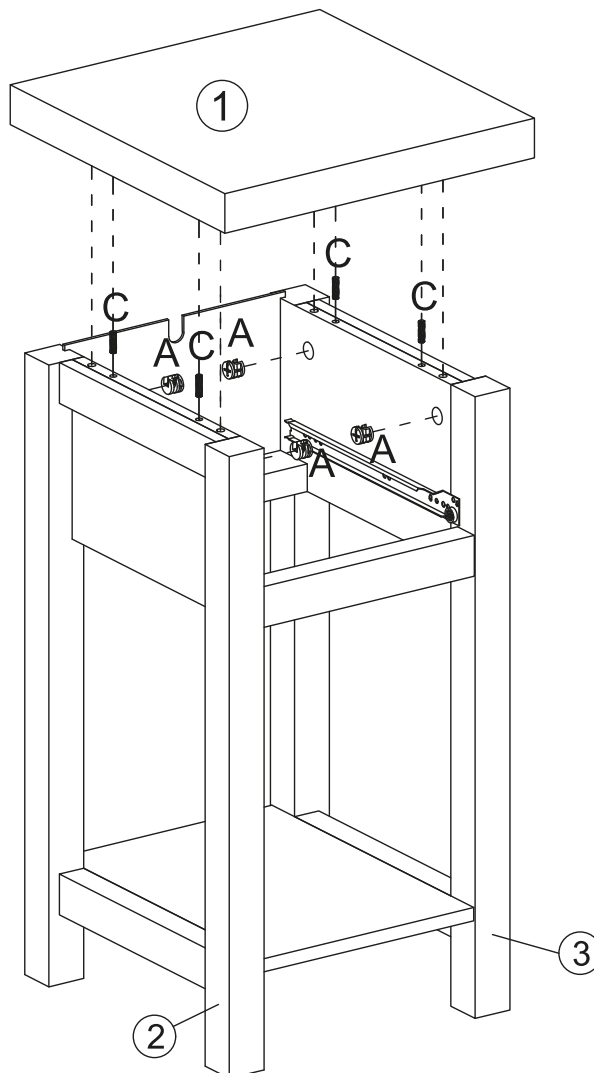
# END TABLE

Item Code: G-0534  
Assembly Instruction

## STEP 5



## STEP 6

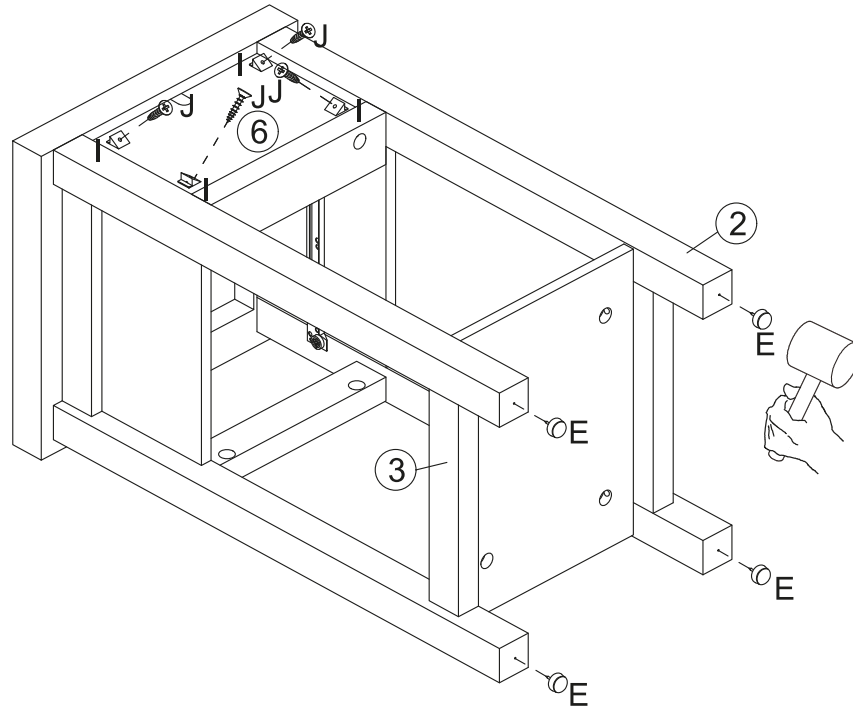


Max. Loading :10kg

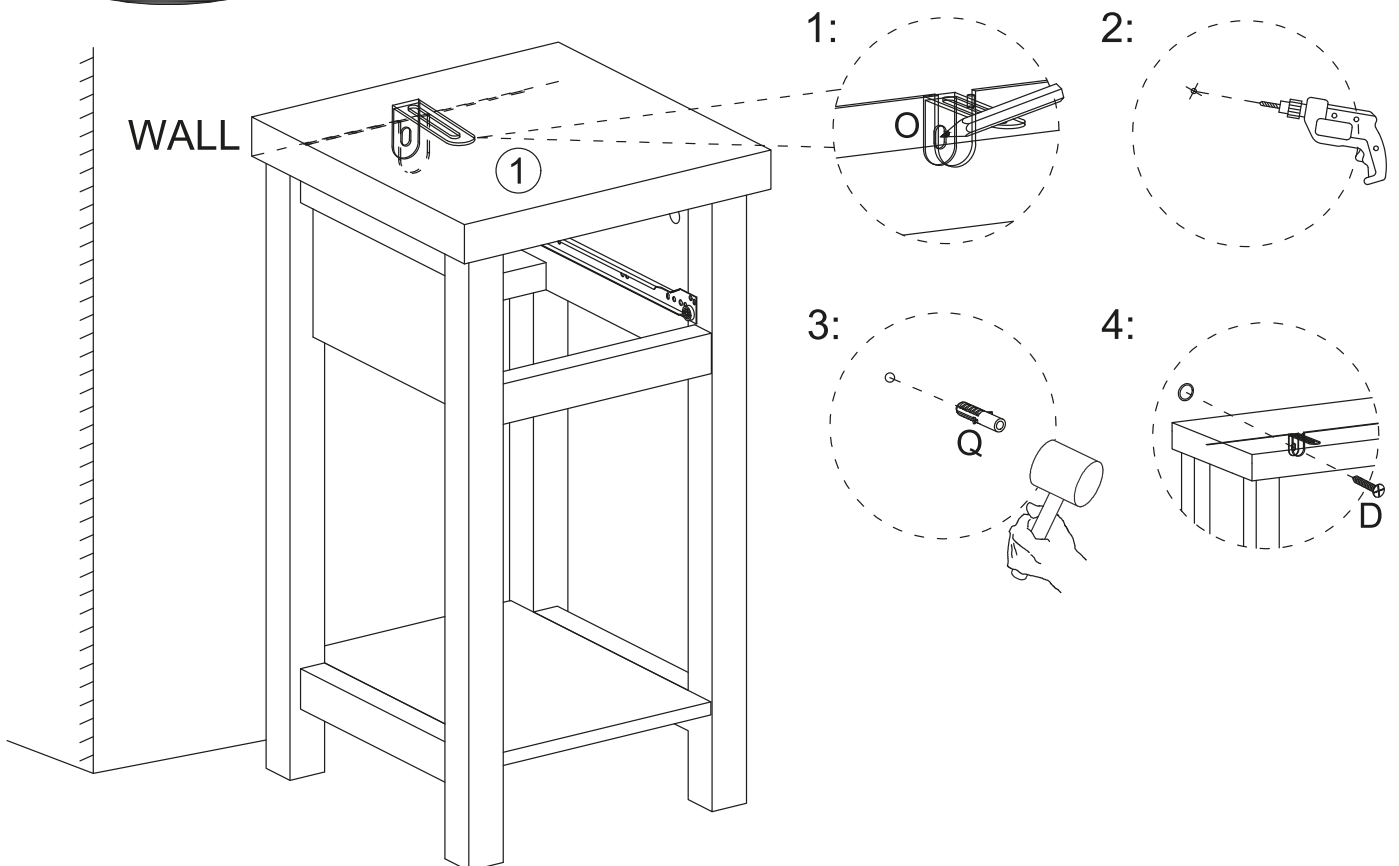
# END TABLE

Item Code: G-0534  
Assembly Instruction

## STEP 7



## STEP 8



Max. Loading :10kg

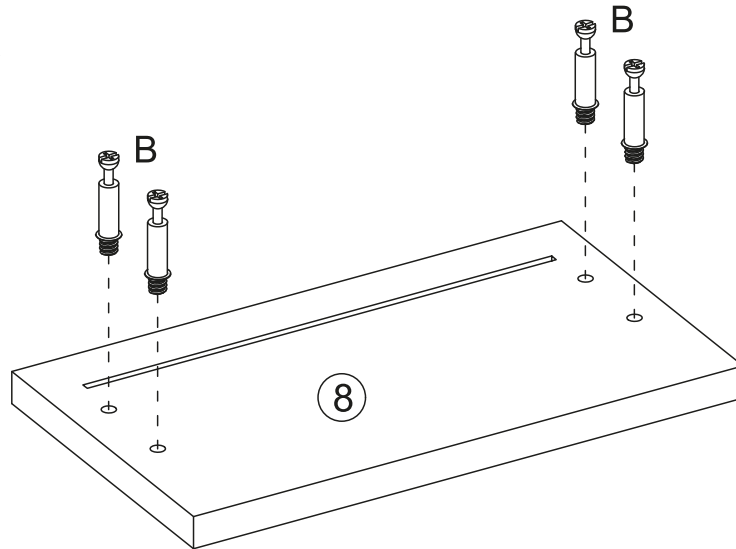
8/13

Manufactured for Gill HK Ltd BD4 9SW  
www.gillhk.com  
Made in China

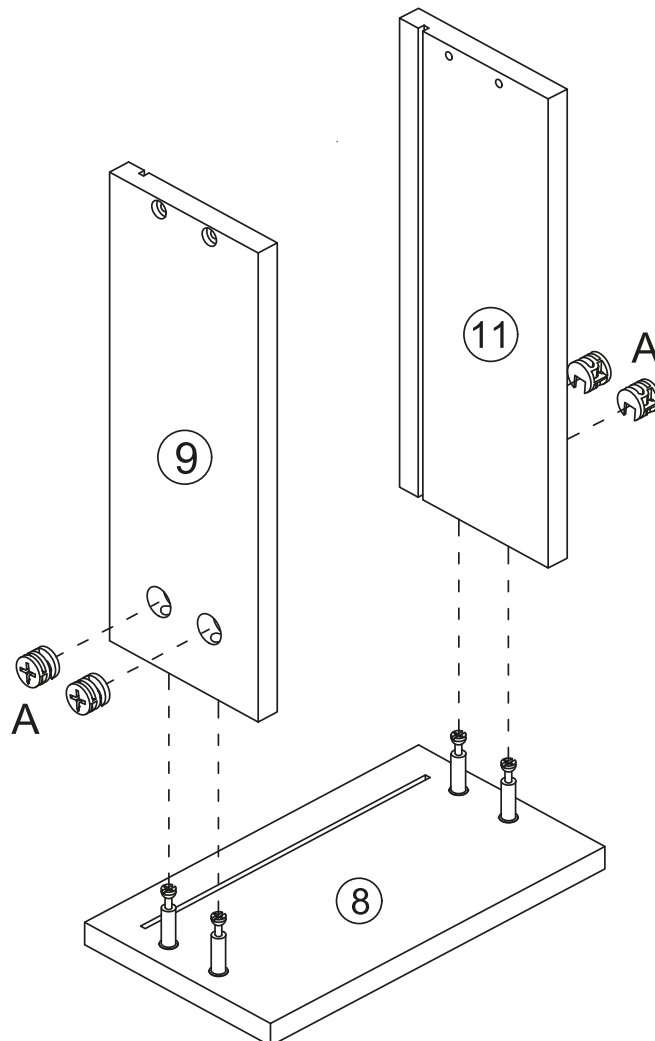
# END TABLE

Item Code: G-0534  
Assembly Instruction

## STEP 9



## STEP 10



Max. Loading :10kg

9/13

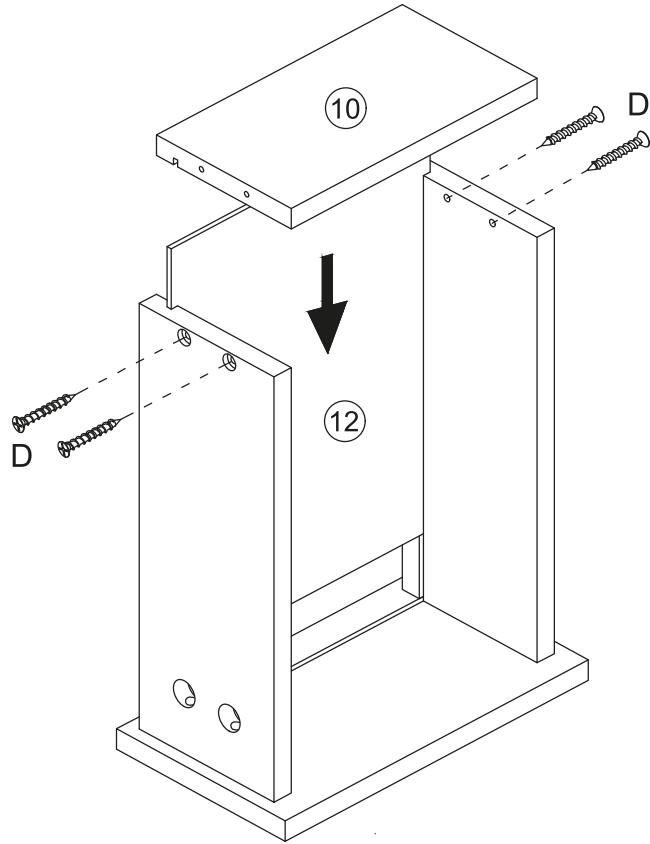
Manufactured for Gill HK Ltd BD4 9SW  
www.gillhk.com  
Made in China

# END TABLE

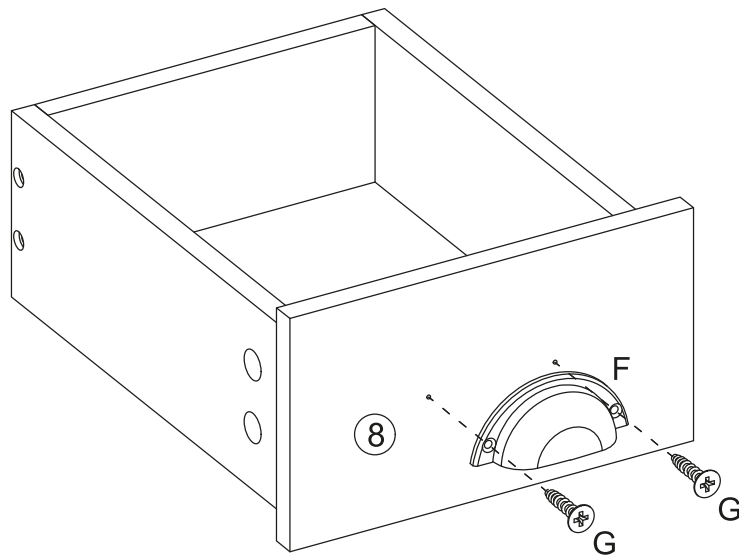
## Item Code: G-0534

### Assembly Instruction

#### STEP 11



#### STEP 12



Max. Loading :10kg

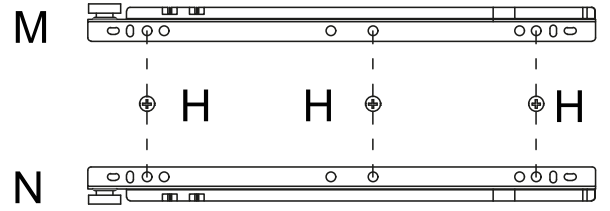
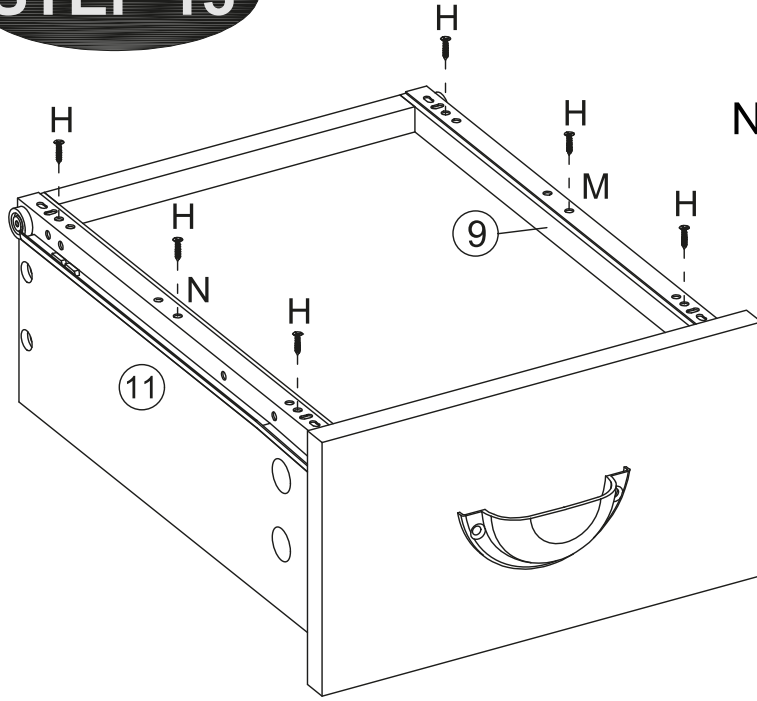
10/13

Manufactured for Gill HK Ltd BD4 9SW  
www.gillhk.com  
Made in China

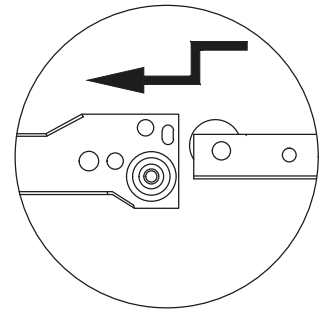
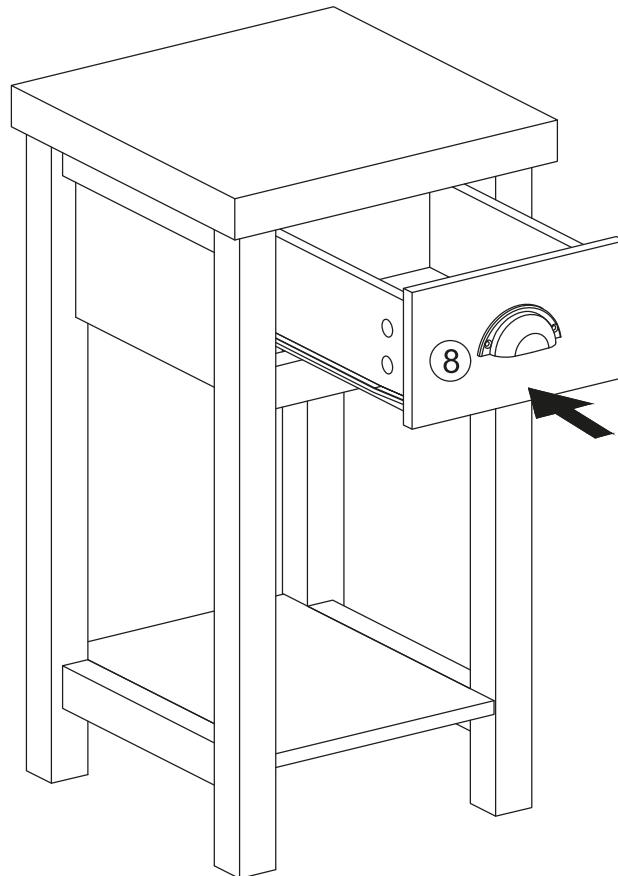
# END TABLE

Item Code: G-0534  
Assembly Instruction

## STEP 13



## STEP 14



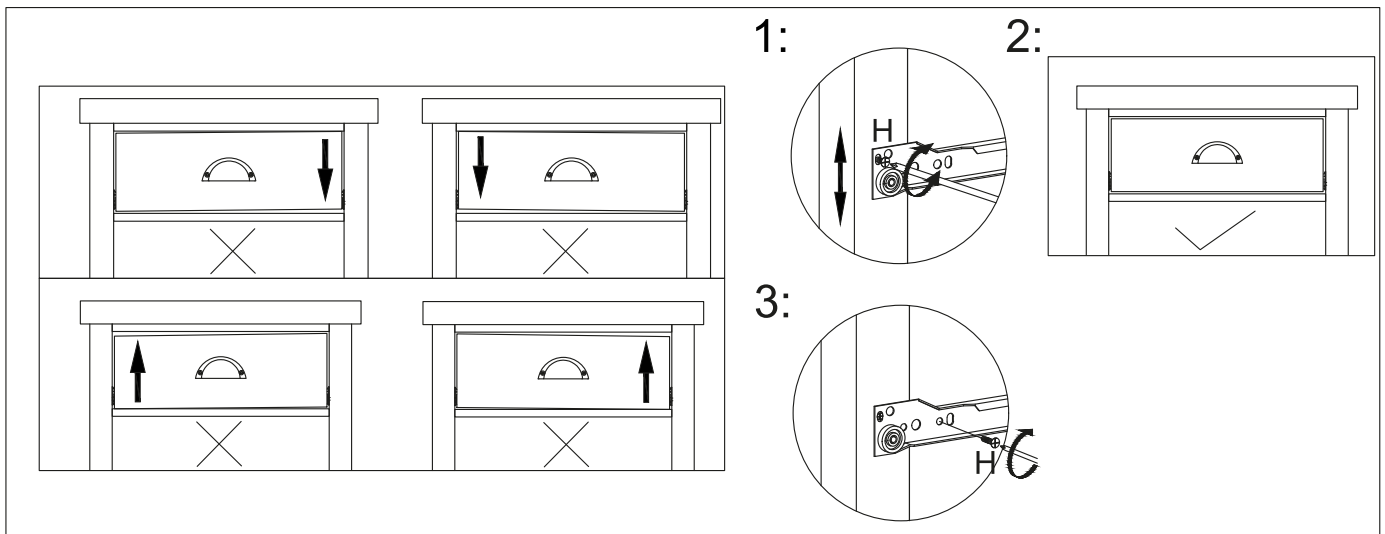
# END TABLE

## Item Code: G-0534

### Assembly Instruction

## Attention

If the drawer's up and down gaps were not aligned, please adjust the drawer runners as below 1&2. After the drawers are fully aligned, lock another screw H as below 3.



# END TABLE

## Item Code: G-0534

### Assembly Instruction



#### Safety Advice and Care Advice

KEEP ALL THE SAFETY ADVICE AND INSTRUCTIONS IN A SAFE PLACE FOR FUTURE REFERENCE!

**⚠ WARNING! RISK OF LOSS OF LIFE OR ACCIDENT TO INFANTS AND CHILDREN!** Never leave children unsupervised with the packaging materials. Danger of suffocation.

**⚠ CAUTION! RISK OF INJURY!** Make sure that all parts are undamaged and assembled correctly. Improper assembly carries a risk of injury. Damaged parts may affect the safety and function of the product.

- Make sure that this product is standing on a solid, level surface.

**⚠ CAUTION!** Do not leave children unsupervised! The product is not a climbing frame or a toy! Make sure that nobody, especially a child, climbs on or leans against the product.

- Distribute weight evenly across the product so that it cannot overturn.
- Do not load more than a total of 10kg onto the product, otherwise there is a risk of injury and/or damage to the product.
- Check that the product is stable before using it.
- Do not lift or move the product when it is loaded.
- Keep away from fire and inflammable objects.
- **Wipe clean with a damp cloth.**
- Make sure that all screws and fixings are secure before use.
- Do not place very hot or very cold items on the surface(s) unless adequately thick table mats are used.
- Please periodically check all fittings and re-tighten as necessary.
- Domestic use only.