

4 DRAWERS CHEST

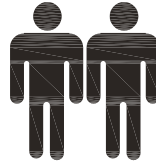
ITEM CODE: G-0540/G-0536

Assembly Instruction

1.0hr

APPROXIMATE ASSEMBLY TIME

2 PEOPLE ASSEMBLY

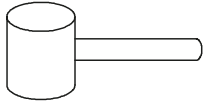


FLOOR AREA
1Mx1M

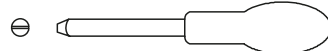


REQUIRED ASSEMBLY SPACE

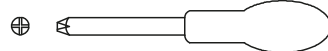
REQUIRED ASSEMBLY TOOLS



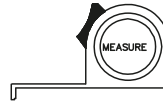
SOFT RUBBER HAMMER(NOT PROVIDED)



SLOTTED SCREWDRIVER(NOT PROVIDED)



POZI SCREWDRIVER(NOT PROVIDED)

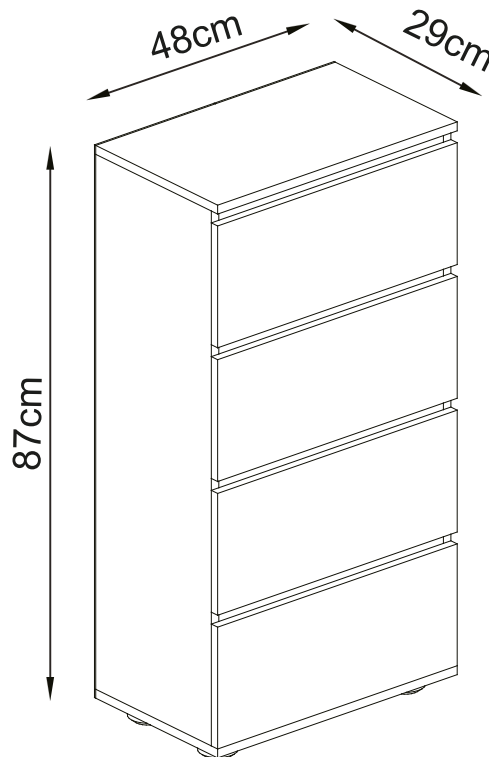


MEASURING TAPE(NOT PROVIDED)



ELECTRIC DRILL(NOT PROVIDED)

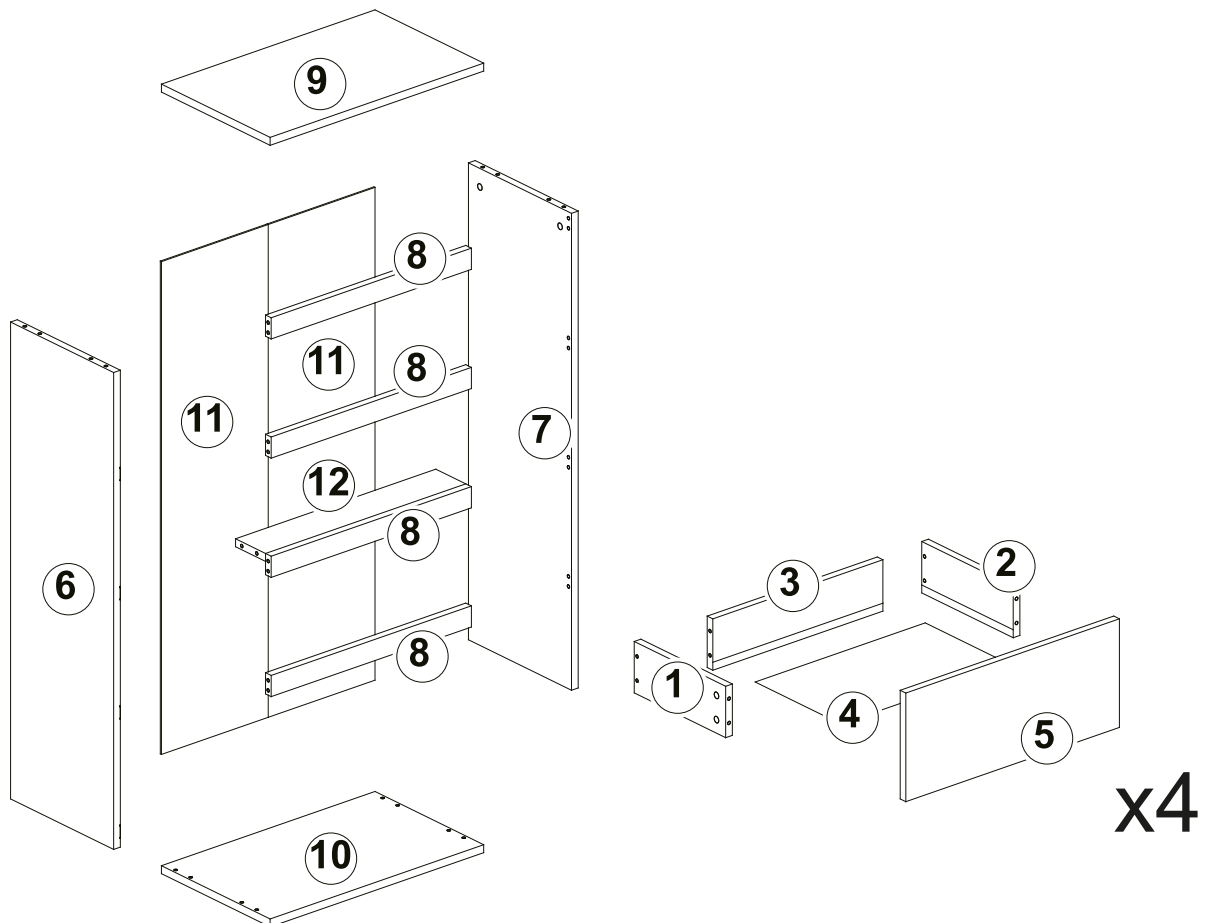
ASSEMBLED DIMENSIONS



MODEL NAME:
4 DRAWERS CHEST
G-0540/G-0536

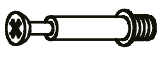




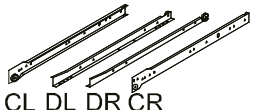





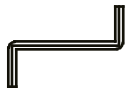

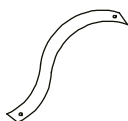
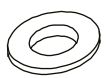
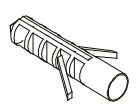
NO.	PART LIST	QTY	NO.	PART LIST	QTY
(1)	LEFT DRAWER SIDE PANEL	4	(7)	RIGHT SIDE PANEL	1
(2)	RIGHT DRAWER SIDE PANEL	4	(8)	FRONT CROSS BAR	4
(3)	BACK DRAWER PANEL	4	(9)	TOP PANEL	1
(4)	BOTTOM DRAWER PANEL	4	(10)	BOTTOM PANEL	1
(5)	DRAWER FRONT PANEL	4	(11)	BACK PANEL	2
(6)	LEFT SIDE PANEL	1	(12)	MIDDLE CROSS BAR	1

PART LIST



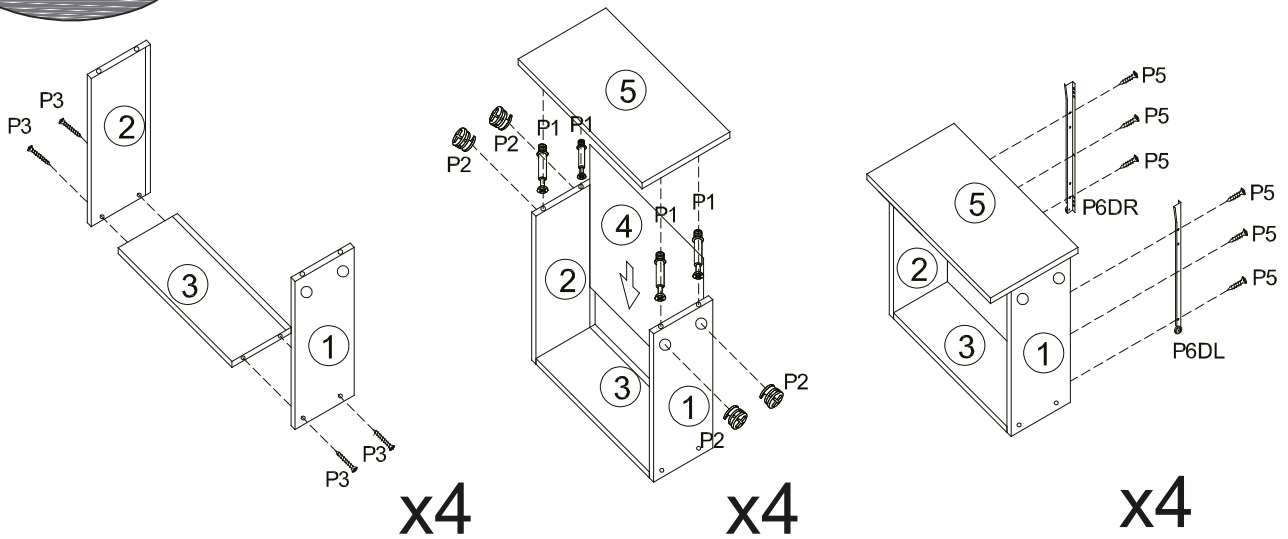
MODEL NAME:
4 DRAWERS CHEST
G-0540/G-0536

HARDWARE LIST

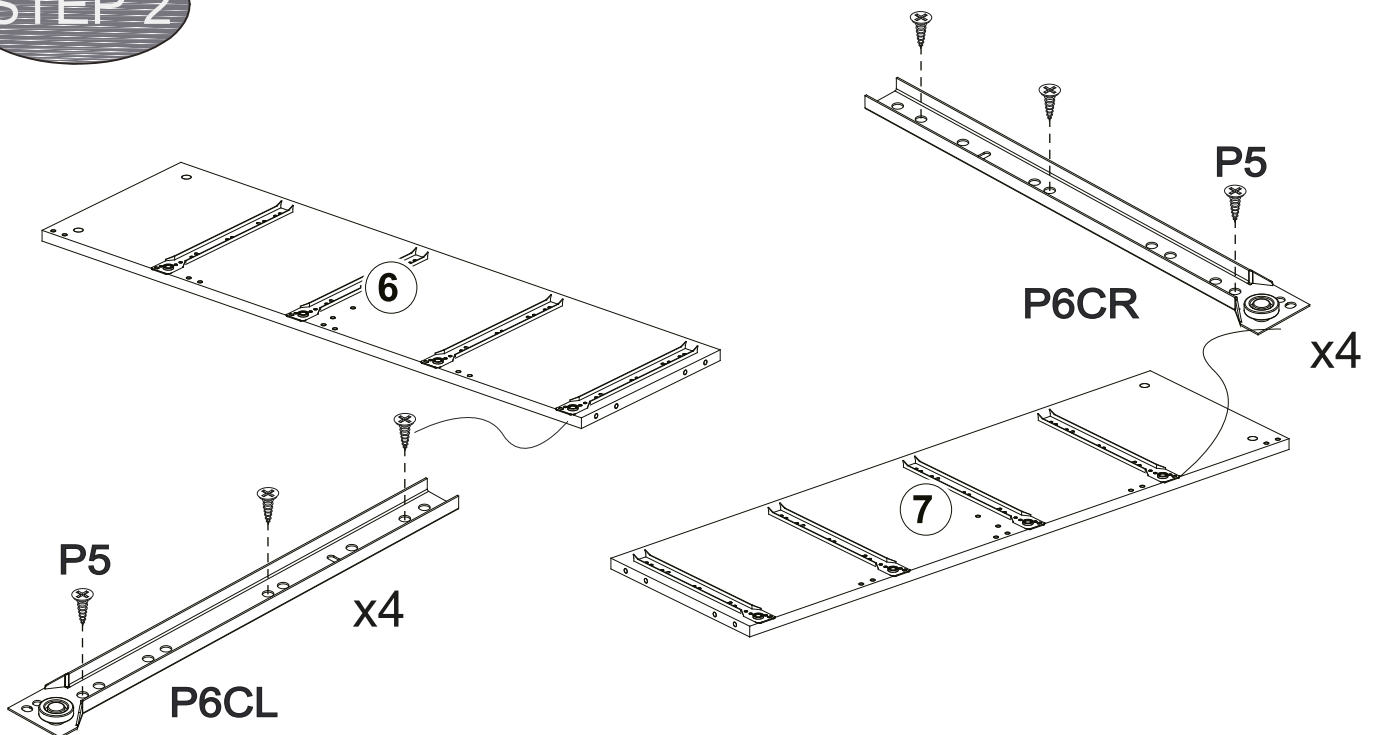
P1	x20	P2	x20	P3	x18	P4	x24	P5	x50
					Dia.4x35mm		Dia.5.8x30mm		Dia.3.5x12mm
Male camlock		Female camlock		Screw		Dowel		Screw	
P6	x4	P7	x4	P8	x8	P9	x4	P10	x1
 CL DL DR CR			Dia.4x16mm		Dia.5x40mm				
Drawer runner		Screw		Screw		Plastic feet		Back panel joint strip	
P11	x20	P12	x1	P13	x4	P14	x2	P15	x4
									
Nails		Allen key		Screw head cover		Wall strap		Wall strap	
P16	x2								
									
Wall plug									

MODEL NAME: 4 DRAWERS CHEST G-0540/G-0536

STEP 1

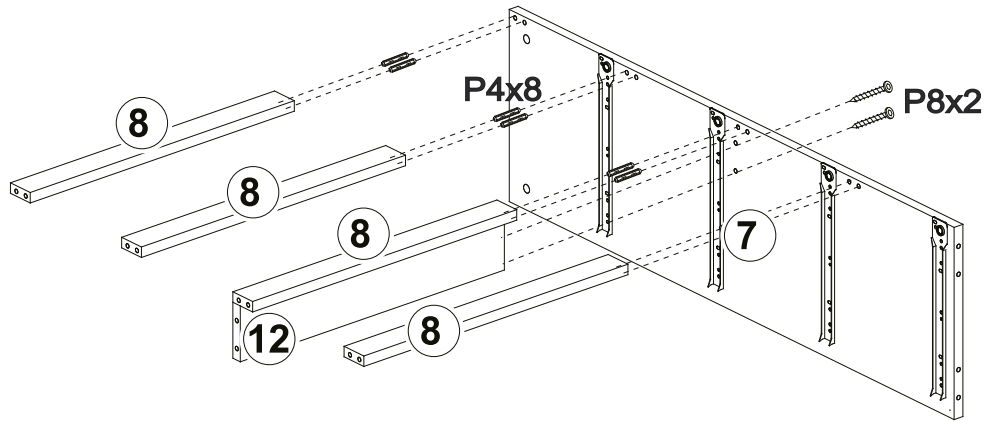


STEP 2

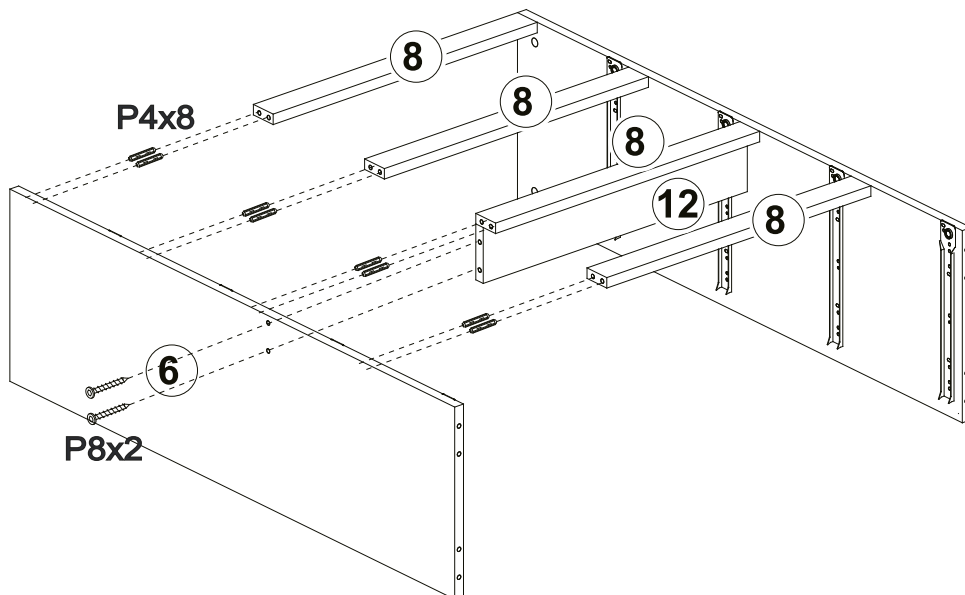


MODEL NAME:
4 DRAWERS CHEST
G-0540/G-0536

STEP 3

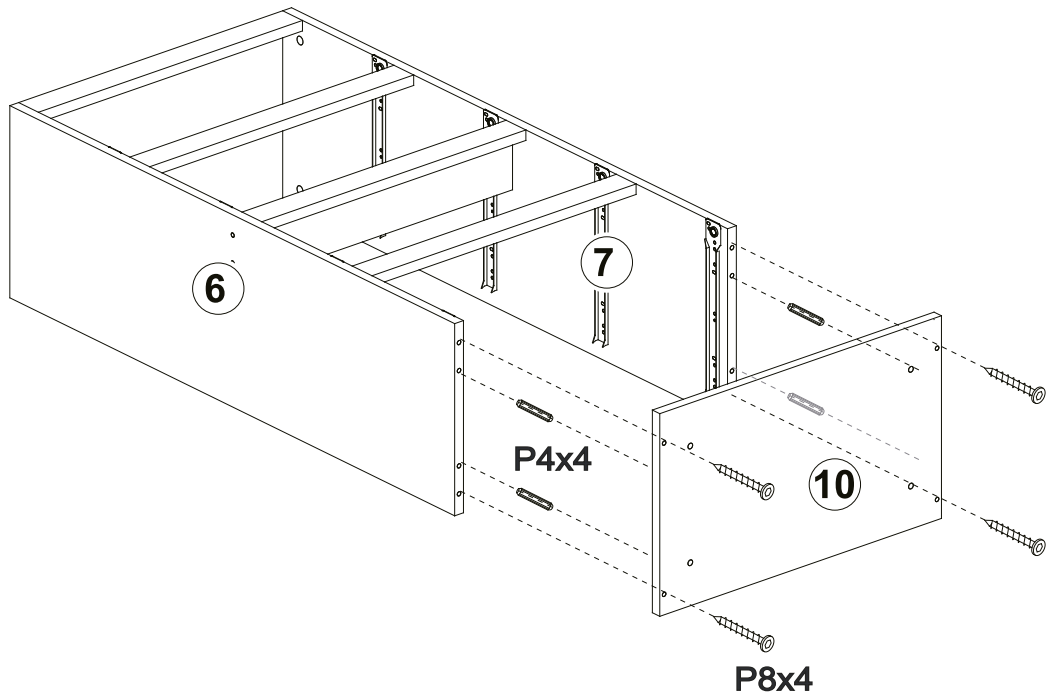


STEP 4

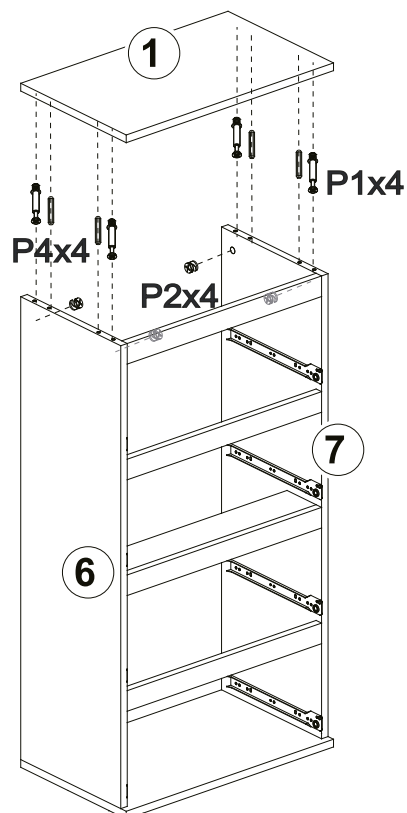


MODEL NAME:
4 DRAWERS CHEST
G-0540/G-0536

STEP 5



STEP 6



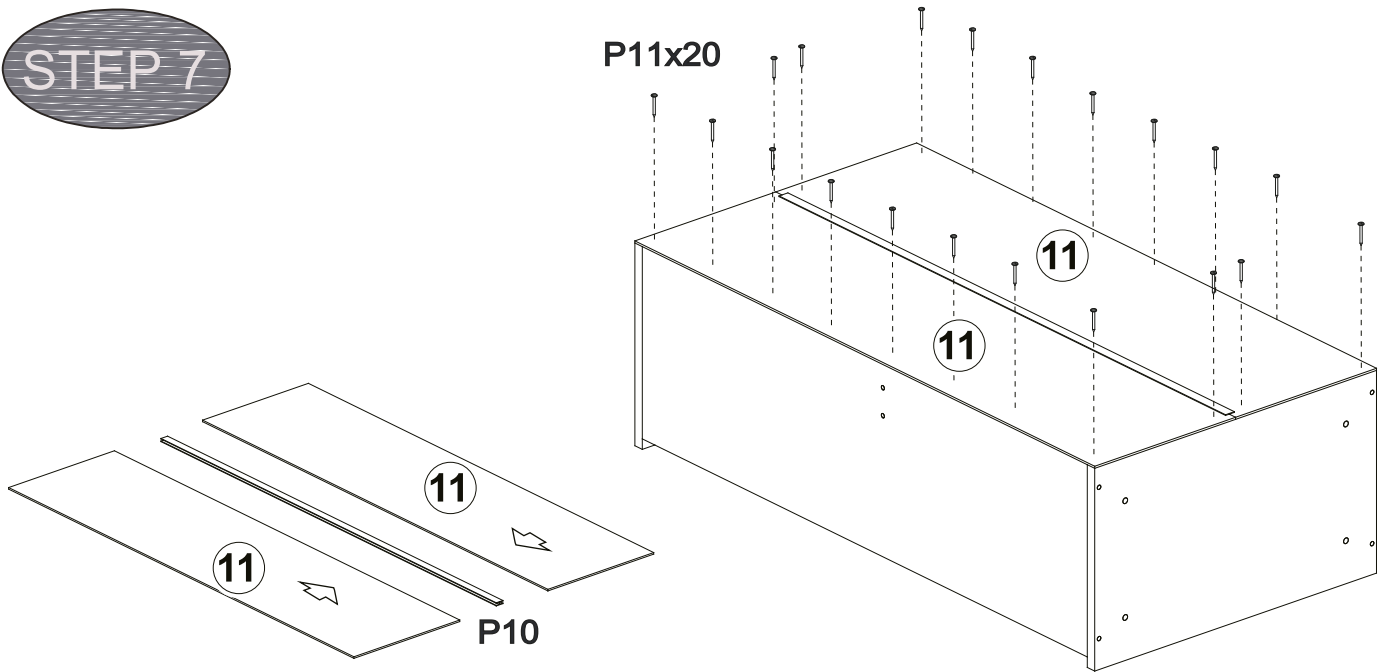
Max. Loading: 20kg

6-11

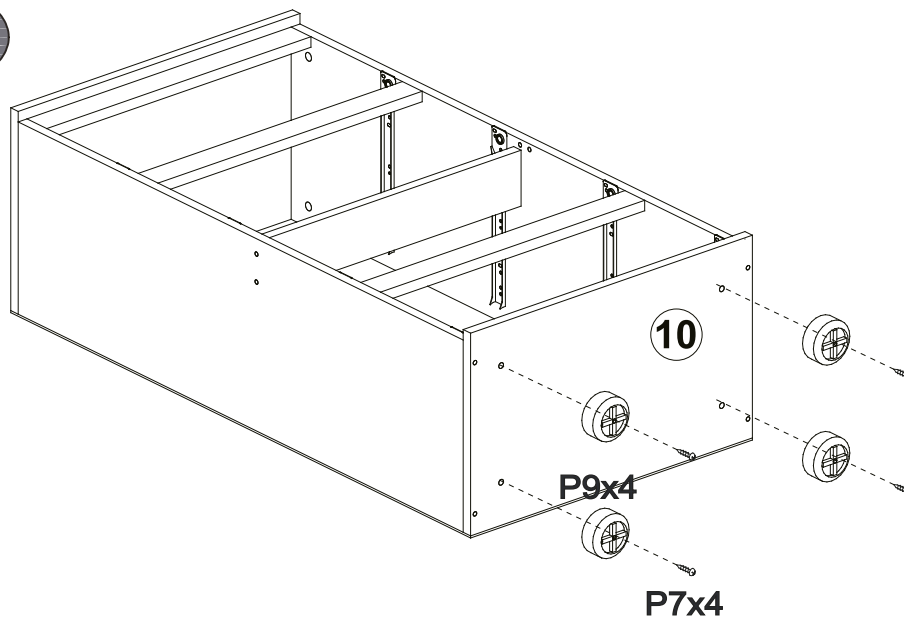
Made in China
Manufactured for Gill HK Limited BD4 9SW
www.gillhk.com

MODEL NAME:
4 DRAWERS CHEST
G-0540/G-0536

STEP 7



STEP 8



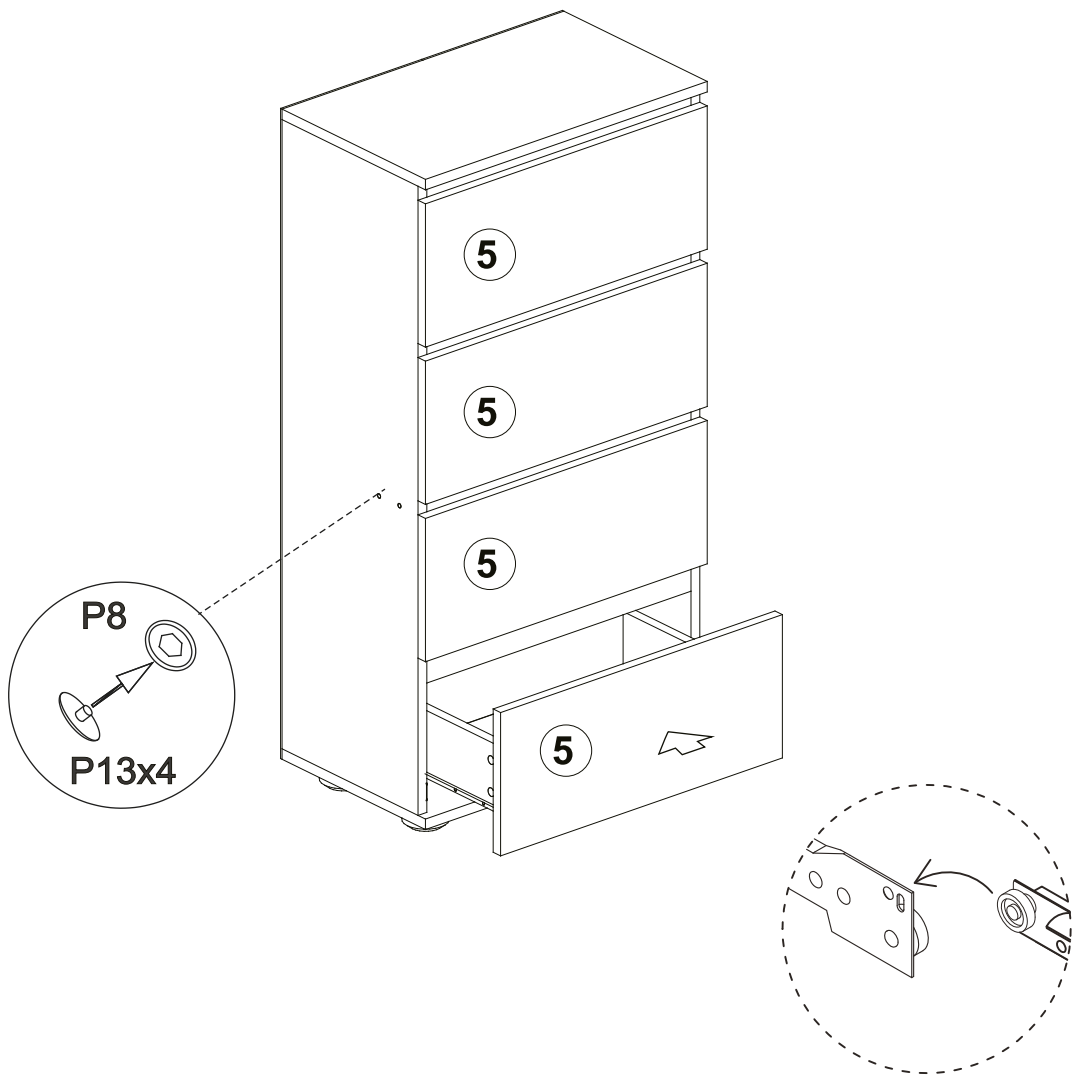
Max. Loading: 20kg

7-11

Made in China
Manufactured for Gill HK Limited BD4 9SW
www.gillhk.com

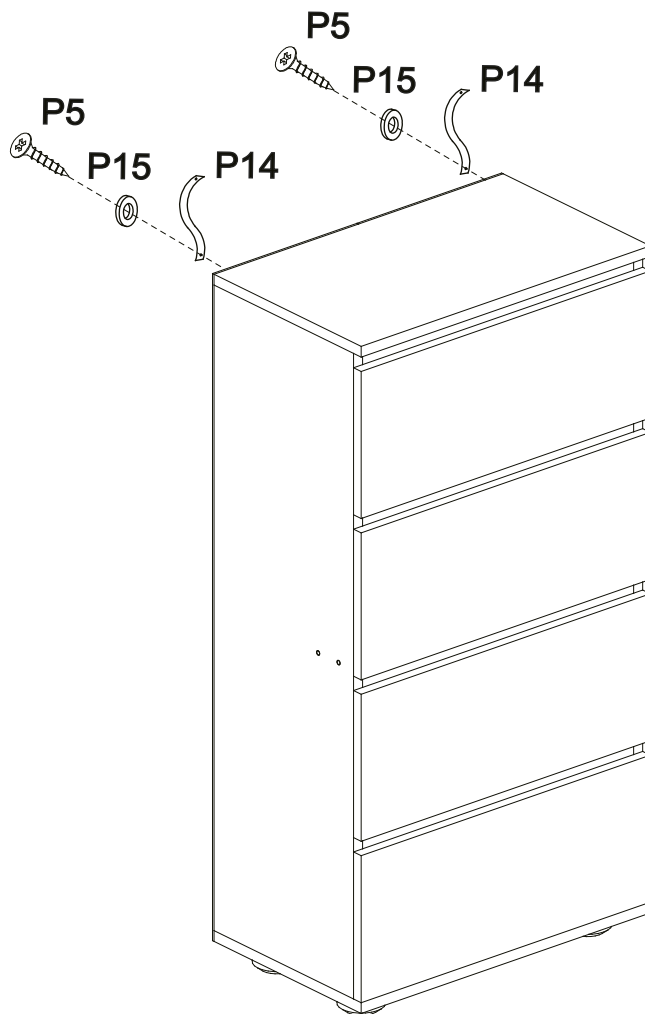
MODEL NAME:
4 DRAWERS CHEST
G-0540/G-0536

STEP 9



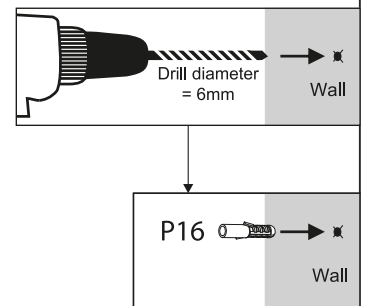
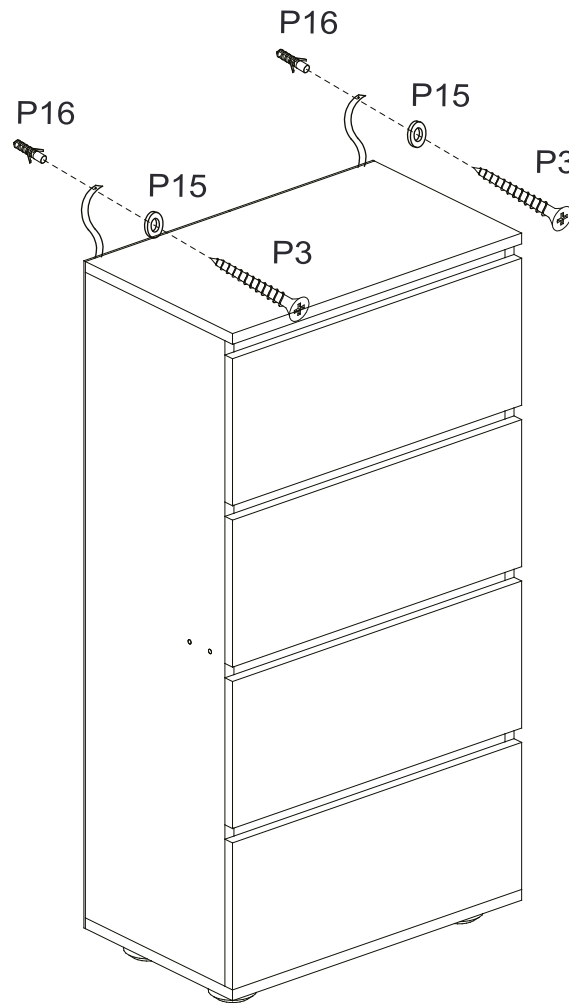
MODEL NAME:
4 DRAWERS CHEST
G-0540/G-0536

STEP 9



MODEL NAME:
4 DRAWERS CHEST
G-0540/G-0536

STEP 9



Peel off the PVC protective mask before using

MODEL NAME:
4 DRAWERS CHEST
G-0540/G-0536



Safety Advice and Care Advice

KEEP ALL THE SAFETY ADVICE AND INSTRUCTIONS IN A SAFE PLACE FOR FUTURE REFERENCE!

⚠ WARNING! RISK OF LOSS OF LIFE OR ACCIDENT TO INFANTS AND CHILDREN! Never leave children unsupervised with the packaging materials. Danger of suffocation.

⚠ CAUTION! RISK OF INJURY! Make sure that all parts are undamaged and assembled correctly. Improper assembly carries a risk of injury. Damaged parts may affect the safety and function of the product.

- Make sure that this product is standing on a solid, level surface.

⚠ CAUTION! Do not leave children unsupervised! The product is not a climbing frame or a toy! Make sure that nobody, especially a child, climbs on or leans against the product.

- Distribute weight evenly across the product so that it cannot overturn.
- Do not load more than a total of 20kg onto the product, otherwise there is a risk of injury and/or damage to the product.
- Check that the product is stable before using it.
- Do not lift or move the product when it is loaded.
- Keep away from fire and inflammable objects.
- **Wipe clean with a damp cloth.**
- Make sure that all screws and fixings are secure before use.
- Do not place very hot or very cold items on the surface(s) unless adequately thick table mats are used.
- Please periodically check all fittings and re-tighten as necessary.
- Domestic use only.

WARNING:

Keep hands/fingers away from moving parts.