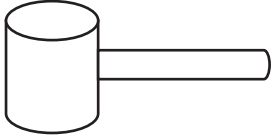


## 2-CUBE STORAGE ORGANIZER

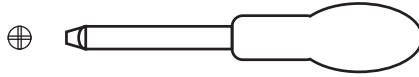
ITEM CODE: G-0568 & G-0569

### INSTRUCTION MANUAL

#### REQUIRED ASSEMBLY TOOLS



SOFT RUBBER HAMMER (Not Provided)

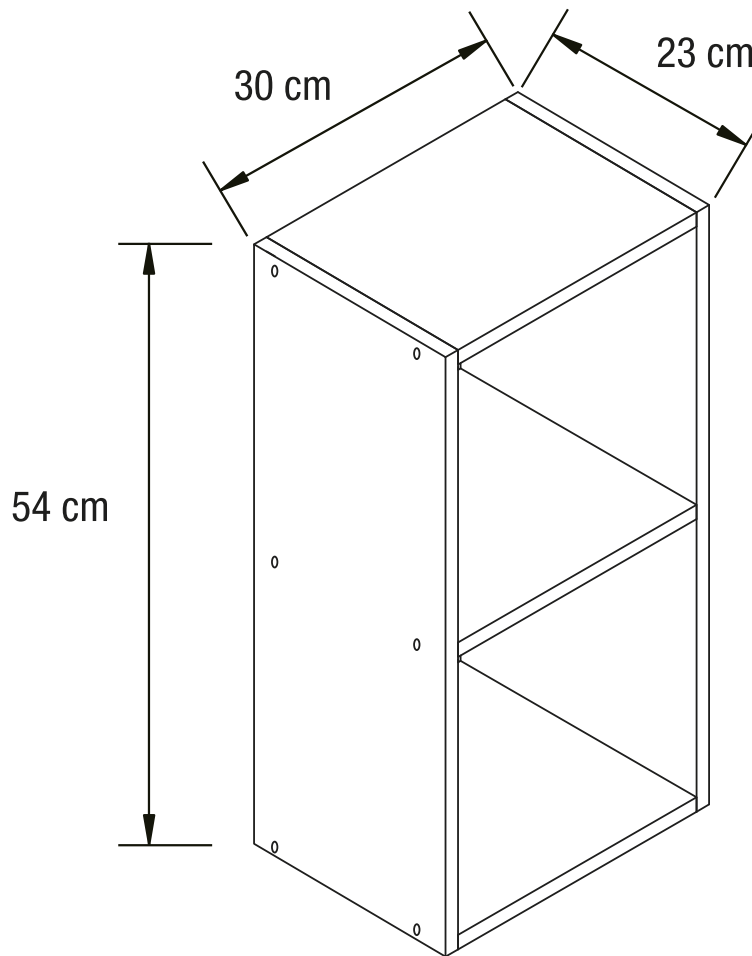


POZI SCREWDRIVER (Not Provided)



MEASURING TAPE (Not Provided)

#### ASSEMBLED DIMENSIONS



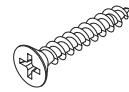
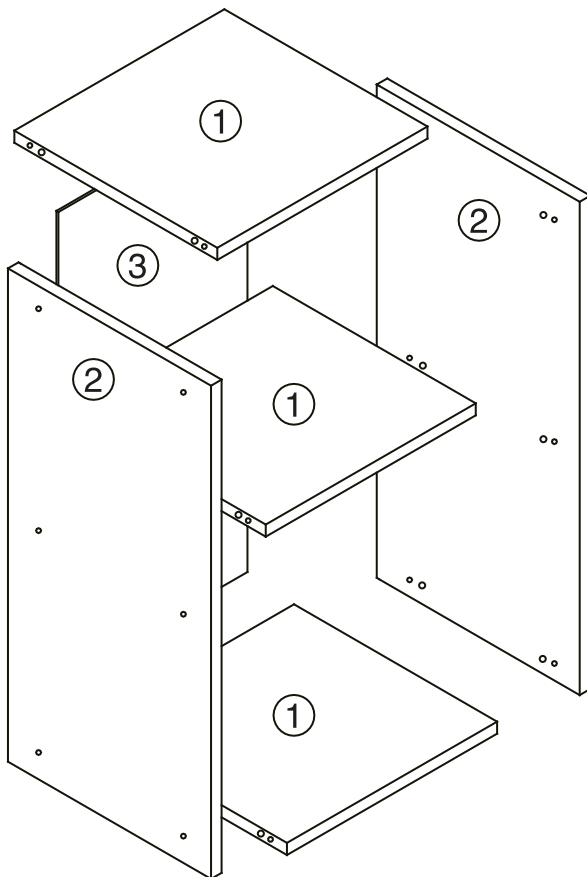
# 2-CUBE STORAGE ORGANIZER

## ITEM CODE: G-0568 & G-0569

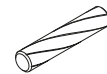
### INSTRUCTION MANUAL

NO.	PART LIST	QTY	NO.	PART LIST	QTY
(1)	SHELF	3	(A)	SCREW	12
(2)	LEFT/RIGHT SIDE PANEL	2	(B)	WOODEN DOWEL	12
(3)	BACK SIDE PANEL	1	(C)	VIS	12
			(D)	SCREW COVER STICKER	12

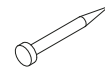
#### ITEM LIST



**A x 12**



**B x 12**



**C x 12**



**D x 12**

**MAXIMUM  
LOADING: 10KG**

**2-5**

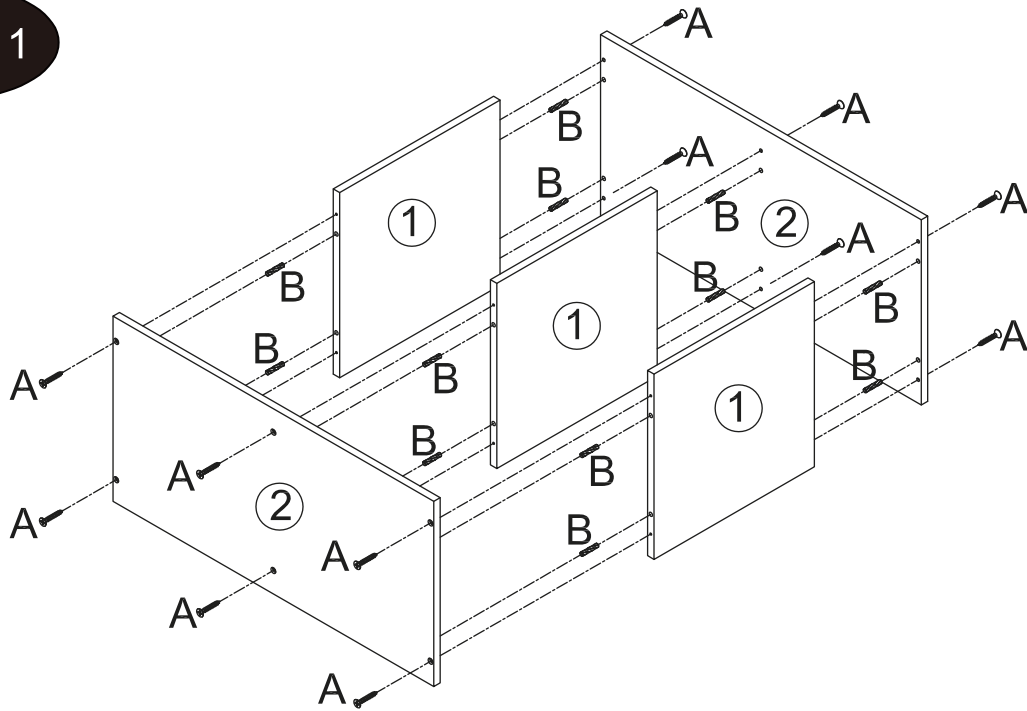
Made in China  
Manufactured for Gill HK Limited BD4 9SW  
www.gillhk.com

# 2-CUBE STORAGE ORGANIZER

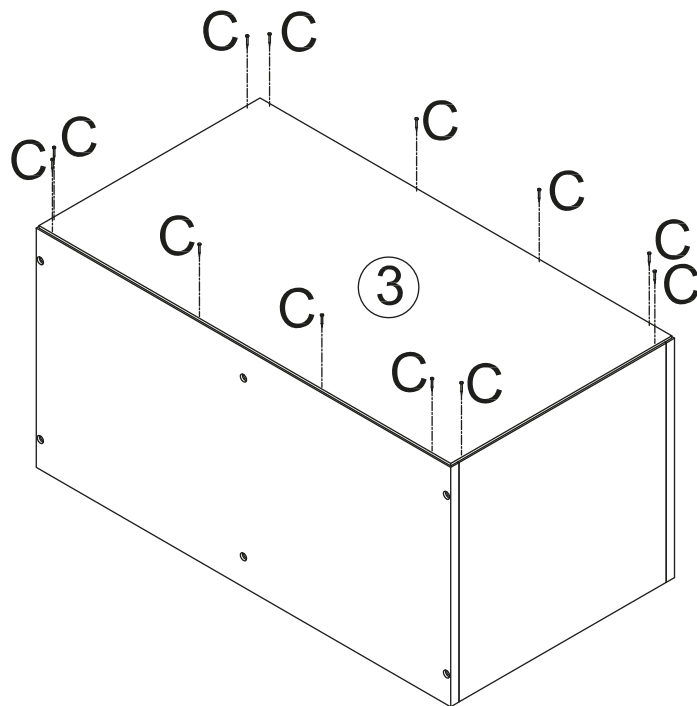
## ITEM CODE: G-0568 & G-0569

### INSTRUCTION MANUAL

#### STEP 1



#### STEP 2



MAXIMUM  
LOADING: 10KG

3-5

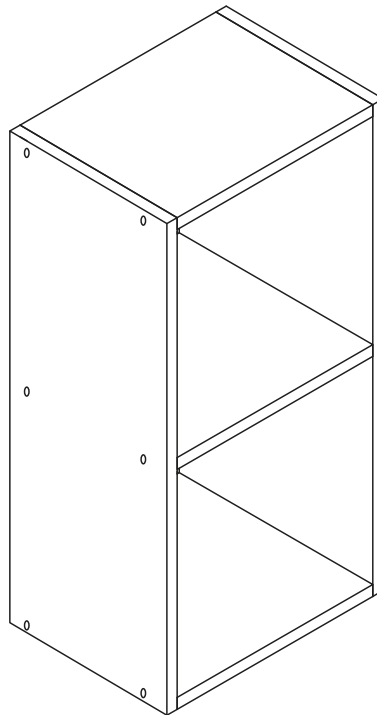
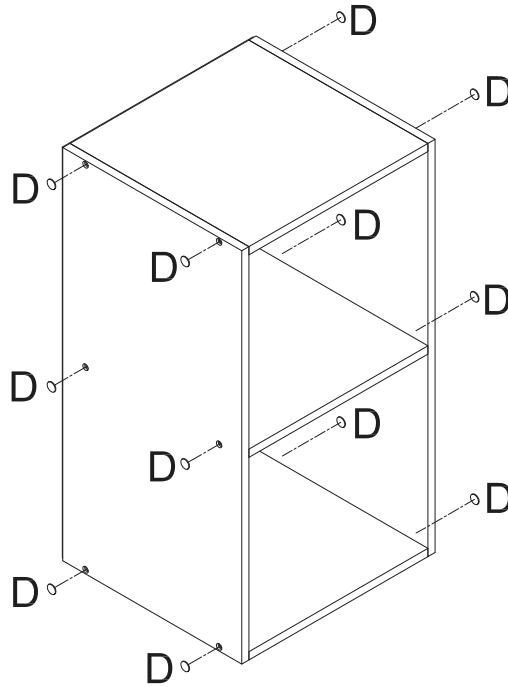
Made in China  
Manufactured for Gill HK Limited BD4 9SW  
[www.gillhk.com](http://www.gillhk.com)

# 2-CUBE STORAGE ORGANIZER

## ITEM CODE: G-0568 & G-0569

### INSTRUCTION MANUAL

**STEP 3**



**MAXIMUM  
LOADING: 10KG**

**4-5**

Made in China  
Manufactured for Gill HK Limited BD4 9SW  
[www.gillhk.com](http://www.gillhk.com)

# 2-CUBE STORAGE ORGANIZER

## ITEM CODE: G-0568 & G-0569

### INSTRUCTION MANUAL



#### Safety Advice and Care Advice

KEEP ALL THE SAFETY ADVICE AND INSTRUCTIONS IN A SAFE PLACE FOR FUTURE REFERENCE!



#### **WARNING! RISK OF LOSS OF LIFE OR ACCIDENT**

**TO INFANTS AND CHILDREN!** Never leave children unsupervised with the packaging materials. Danger of suffocation.



**CAUTION! RISK OF INJURY!** Make sure that all parts are undamaged and assembled correctly. Improper assembly carries a risk of injury. Damaged parts may affect the safety and function of the product.

- Make sure that this product is standing on a solid, level surface.



**CAUTION!** Do not leave children unsupervised! The product is not a climbing frame or a toy! Make sure that nobody, especially a child, climbs on or leans against the product.

- Distribute weight evenly across the product so that it cannot overturn.
- Do not load more than a total of 10kg onto the product, otherwise there is a risk of injury and/or damage to the product.
- Check that the product is stable before using it.
- Do not lift or move the product when it is loaded.
- Keep away from fire and inflammable objects.
- **Wipe clean with a damp cloth.**
- Make sure that all screws and fixings are secure before use.
- Do not place very hot or very cold items on the surface(s) unless adequately thick table mats are used.
- Please periodically check all fittings and re-tighten as necessary.
- Domestic use only.