



SPOT ON DEALZ indoor furnishing

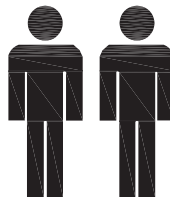
MEDIA TV UNIT (LED)

ITEM CODE: G-0575

Assembly Instruction

1.5 hr

APPROXIMATE ASSEMBLY TIME 2 PERSON ASSEMBLY

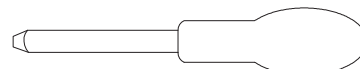


FLOOR AREA
1.5Mx1.5M

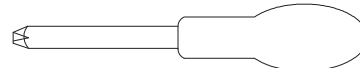


REQUIRED ASSEMBLY SPACE

REQUIRED ASSEMBLY TOOLS

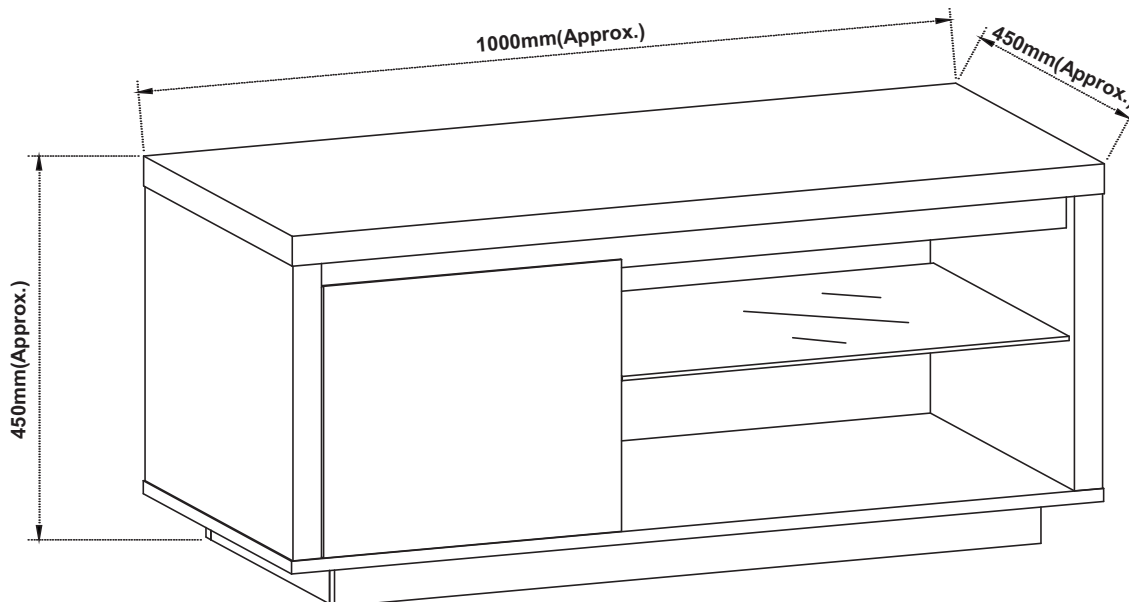


SLOTTED SCREWDRIVER (Not Provided)



POZI SCREWDRIVER (Not Provided)

ASSEMBLED DIMENSIONS



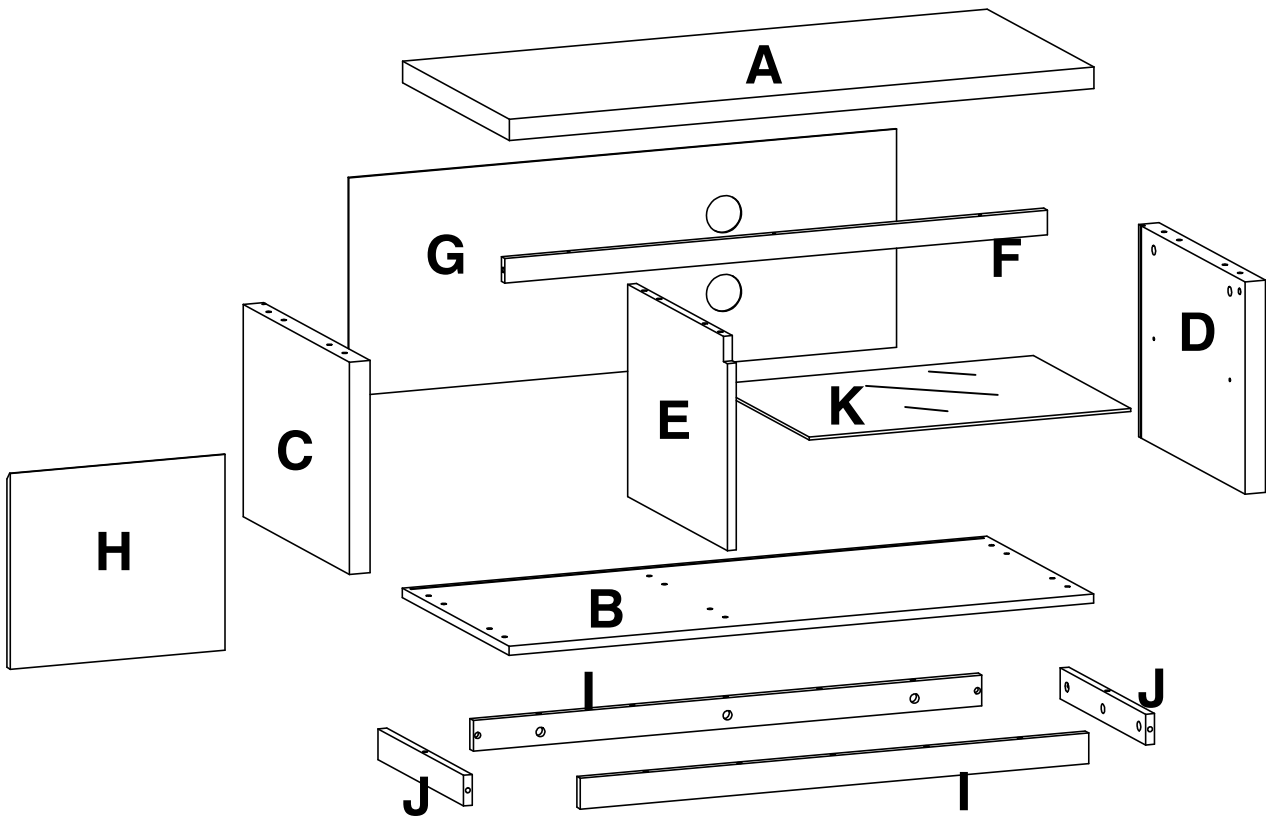
NOTE: THE MAXIMUM WEIGHT THIS PRODUCT CAN HOLD UP TO IS 50KGS

Maximum loading weight : 50 kgs

MEDIA TV UNIT (LED)
ITEM CODE: G-0575
Assembly Instruction

NO.	PART LIST	QTY
(A)	TOP PANEL	1
(B)	BOTTOM PANEL	1
(C)	LEFT SIDE PANEL	1
(D)	RIGHT SIDE PANEL	1
(E)	PARTITION PANEL	1
(F)	BOTTOM SUPPORT PANEL	1
(G)	BACK PANEL	1
(H)	DOOR	1
(I)	BOTTOM BAR	2
(J)	BOTTOM BAR	2
(K)	TEMPERED GLASS	1

PARTS LIST



MEDIA TV UNIT (LED)

ITEM CODE: G-0575

Assembly Instruction

HARDWARE LIST



20X

1. QUICKFIT



20X

2. CAMLOCK



16X

M8x30mm

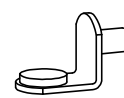
3. WOOD DOWEL



6X

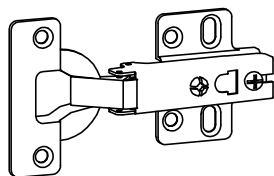
M7x50mm

4. SCREW



4X

5. SHELF
SUPPORTER



2X

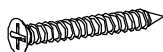
6. HINGE



12X

M3.5x12mm

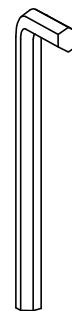
7. SCREW



3X

M4x35mm

8. SCREW



1X

M4

9. ALLEN KEY

MEDIA TV UNIT (LED)

ITEM CODE: G-0575

Assembly Instruction

- Do not mix alkaline, standard (carbon-zinc) or rechargeable batteries.
- Batteries should be inserted with the correct polarity.
- Avoid short circuiting the terminals of the batteries.
- Non-rechargeable batteries should not be recharged.
- Dispose of batteries safely. Do not attempt to burn them. Use collection points where available.
- Make sure battery compartments are secure.

Warnings on tempered glass:

"Loading should be applied evenly on glass surface to avoid topple of glass or table."

Waste electrical products should not be disposed of with household waste.
Please recycle at your local recycling facility. Check with your local authority for recycling advice.

UK
CA



CE



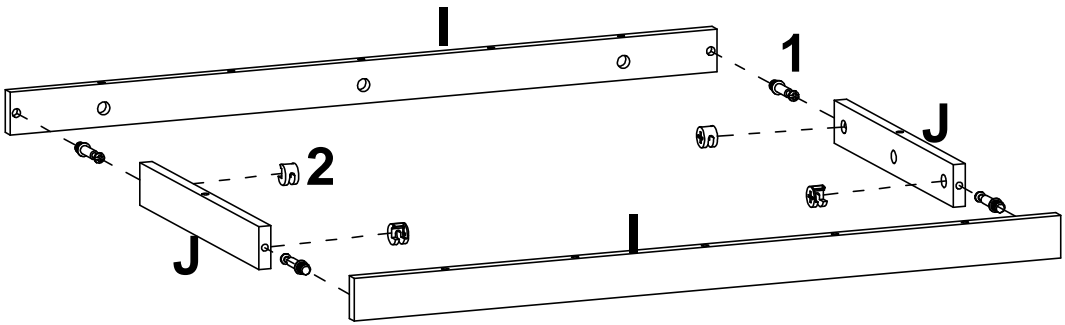
NOTE:

PLEASE ENSURE THE SCREWS ARE NOT OVERTIGHTENED TO AVOID ANY DAMAGE TO THE FURNITURE.

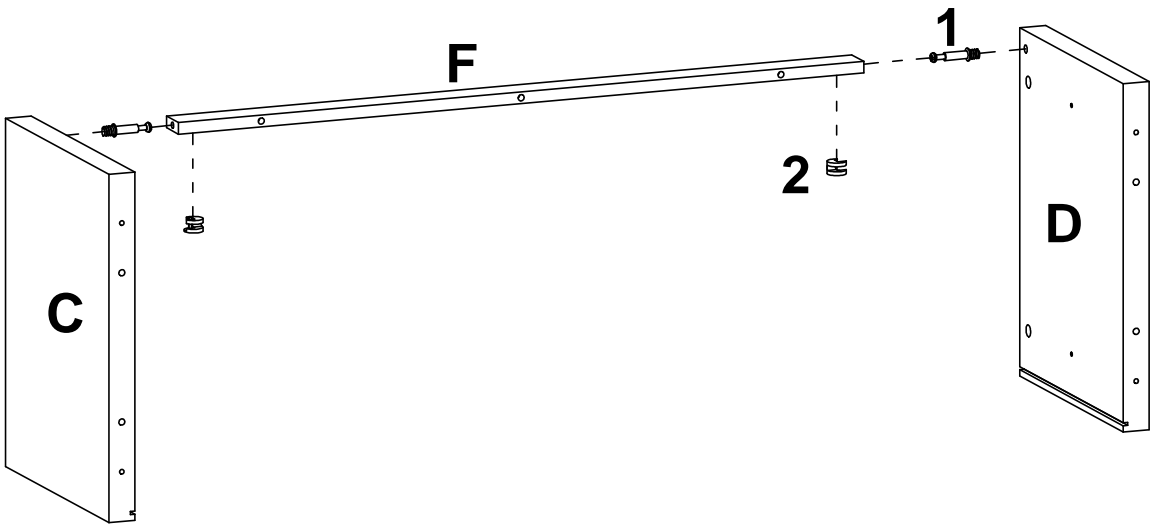
POWER TOOLS ARE NOT RECOMMENDED FOR THIS FURNITURE.

MEDIA TV UNIT (LED)
ITEM CODE: G-0575
Assembly Instruction

STEP 1



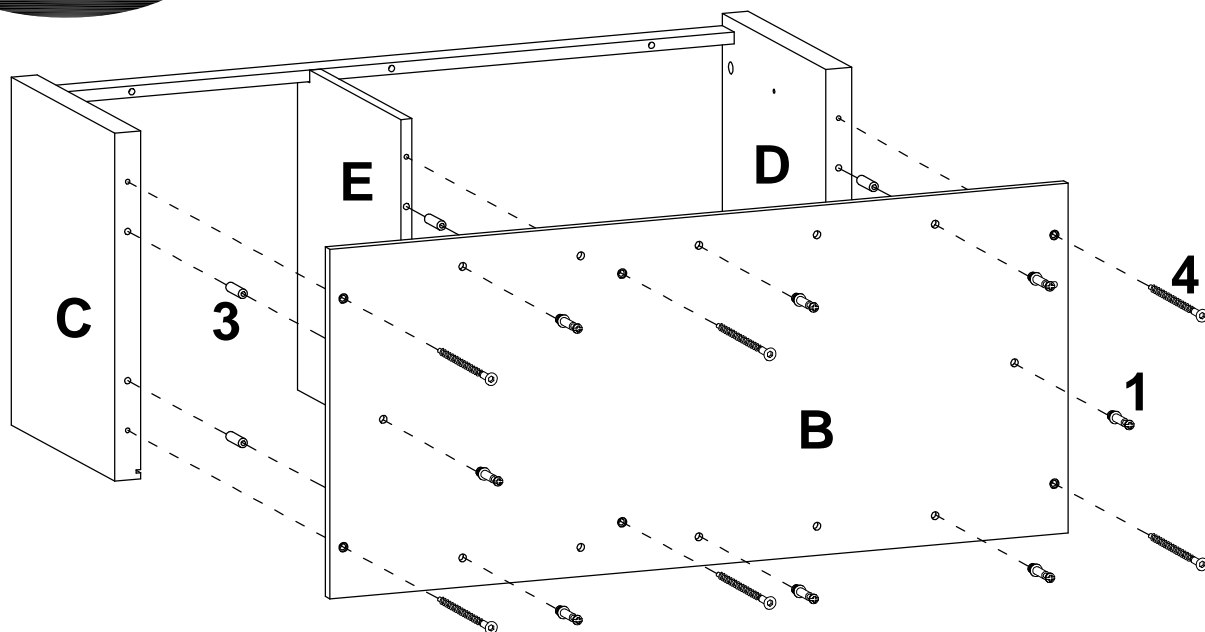
STEP 2



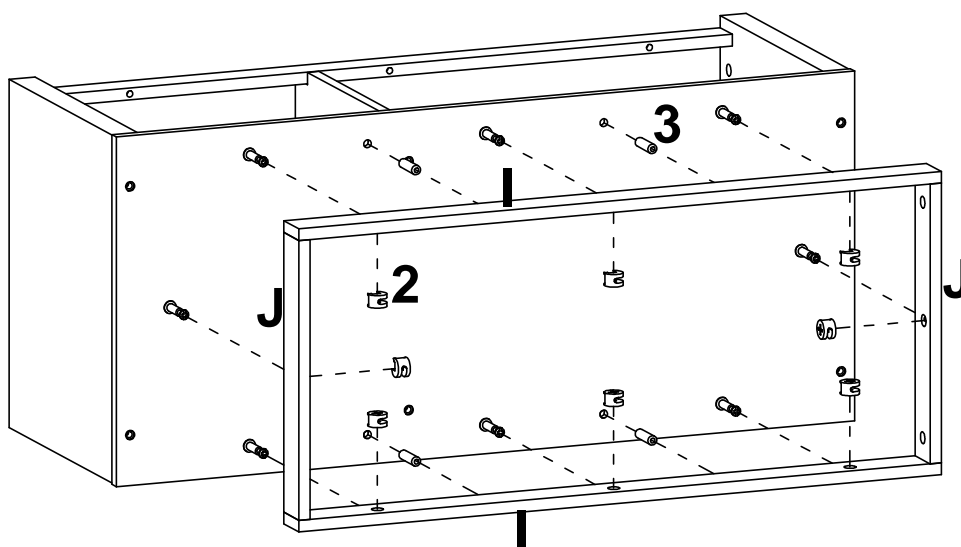
Maximum loading weight : 50 kgs

MEDIA TV UNIT (LED)
ITEM CODE: G-0575
Assembly Instruction

STEP 3



STEP 4



MEDIA TV UNIT (LED)

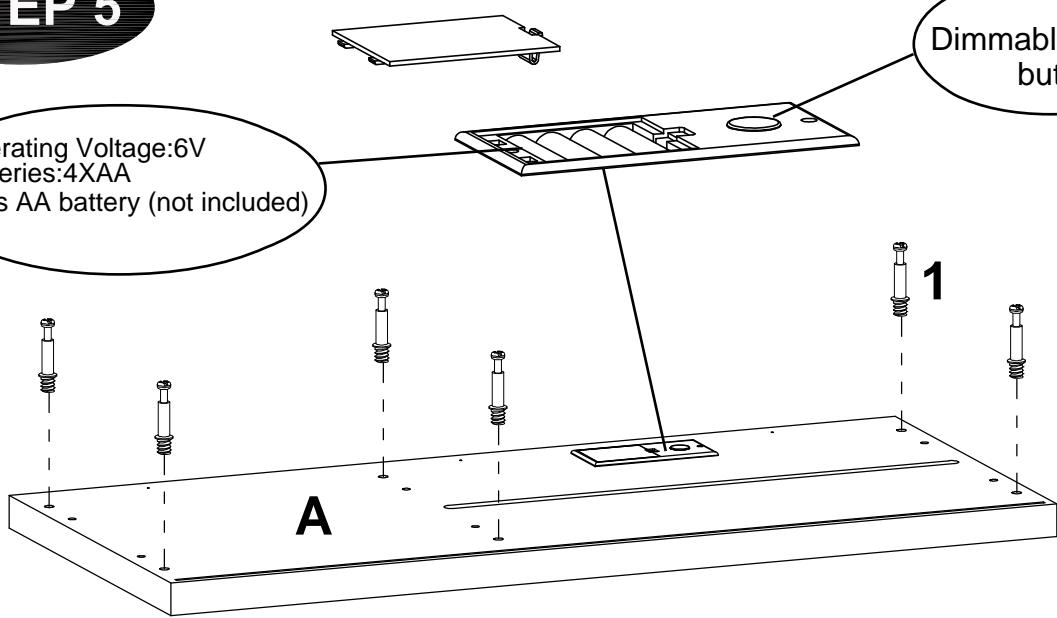
ITEM CODE: G-0575

Assembly Instruction

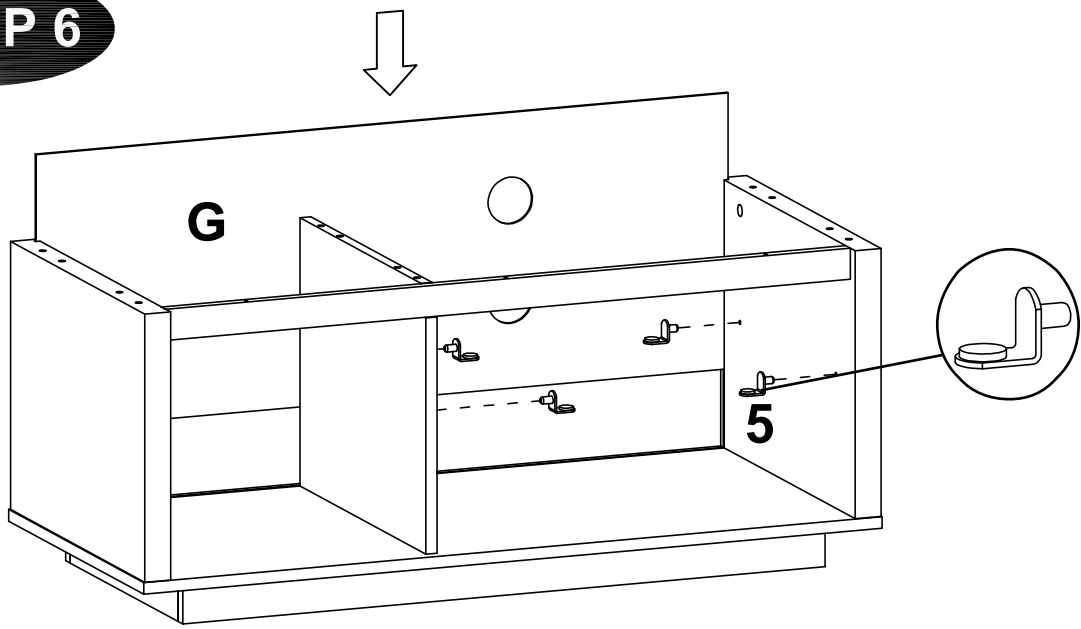
STEP 5

Operating Voltage:6V
batteries:4XAA
4pcs AA battery (not included)

Dimmable on/off
button



STEP 6



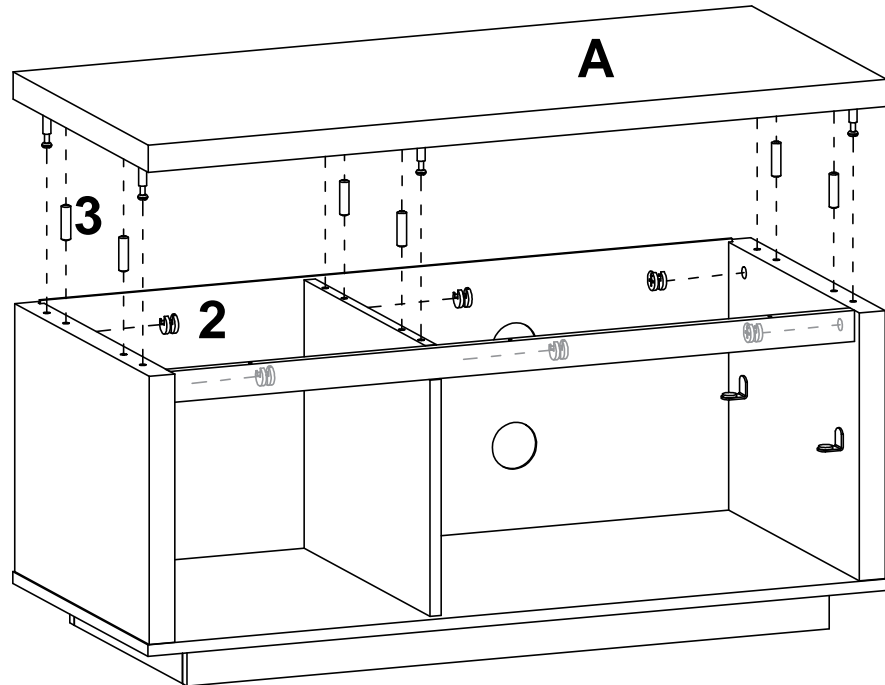
Maximum loading weight : 50 kgs

MEDIA TV UNIT (LED)

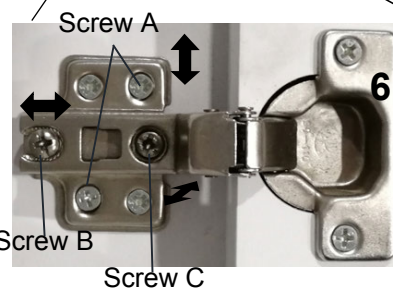
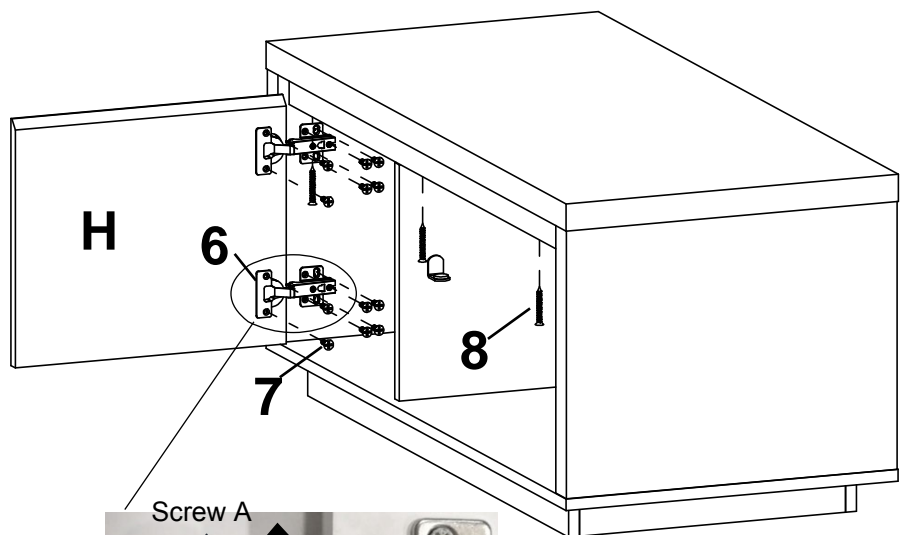
ITEM CODE: G-0575

Assembly Instruction

STEP 7



STEP 8



IMPORTANT: IF DOOR NOT ALIGNED

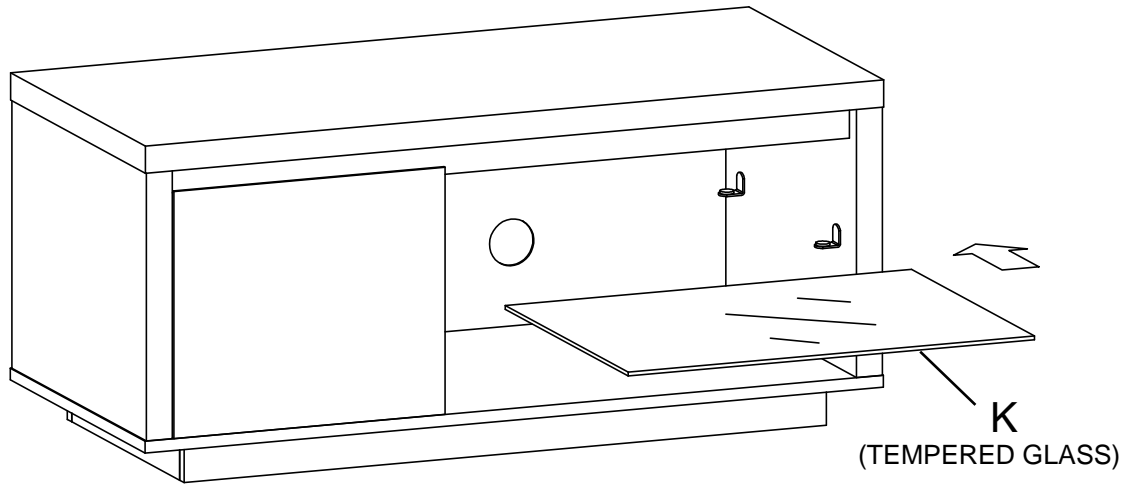
Screw A: You can adjust the doors up and down by releasing screw A

Screw B: Release Screw B you can move the door forward or back till it is in the right position, then fully screw them.

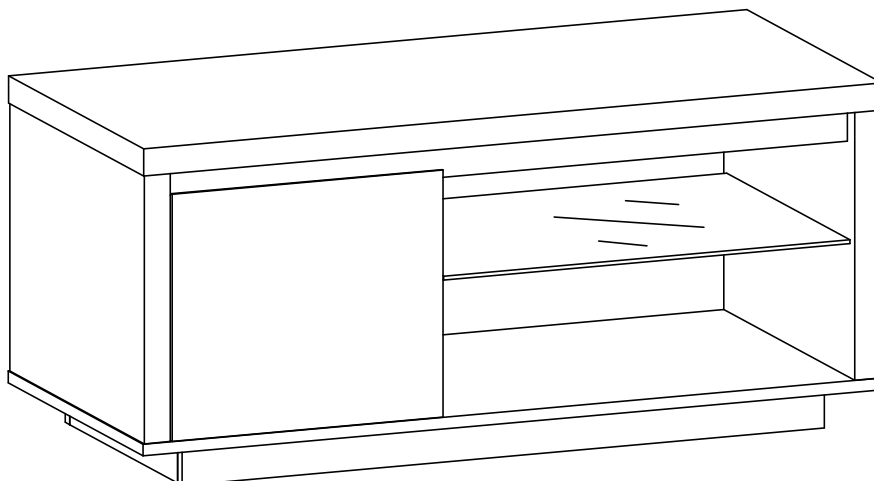
Screw C: You can adjust the gap between the door and the side board by turning Screw C clockwise or anti-clockwise.

MEDIA TV UNIT (LED)
ITEM CODE: G-0575
Assembly Instruction

STEP 9



STEP 10



Maximum loading weight : 50 kgs

9/11

Made in China
Manufactured for Gill HK Limited BD4 9SW
www.gillhk.com

MEDIA TV UNIT (LED)
ITEM CODE: G-0575
Assembly Instruction

IMPORTANT INFORMATION

PLEASE READ BEFORE FIRST USE AND RETAIN FOR FUTURE REFERENCE

DATE OF MANUFACTURE: ARP 2024

ITEM NUMBER: G-0575

THE GLASS IN THIS PRODUCT IS TEMPERED GLASS.

IF THIS GLASS IS CHIPPED OR BROKEN, PLEASE STOP USING AND REPLACE WITH TEMPERED GLASS.

DOMESTIC USE ONLY

WARNINGS:

1. DO NOT PLACE VERY HOT OR VERY COLD ITEMS ON, AGAINST OR IN CLOSE PROXIMITY TO THE GLASS SURFACE UNLESS AND ADEQUATELY THICK INSULATING MATERIAL IS USED TO PREVENT SUCH ITEMS FROM COMING INTO CONTACT WITH THE GLASS.
2. DO NOT SIT OR STAND UPON THE GLASS SURFACE.
3. DO NOT USE THE GLASS AS A CHOPPING SURFACE. DO NOT STRIKE THE GLASS WITH HARD OR POINTED ITEMS
4. WHEN CLEANING THE GLASS PANEL USE A DAMP CLOTH OR SHAMMYE LEATHER WITH WASHING UP LIQUID OR SOFT SOAP. DO NOT USE WAHING POWDERS OR ANY OTHER SUBSTANCES CONTAINNING ABRASIVES SINCE THEST PRODUCTS MAY SCRATCH THE GLASS.

MEDIA TV UNIT (LED)

ITEM CODE: G-0575

Assembly Instruction



Safety Advice and Care Advice

KEEP ALL THE SAFETY ADVICE AND INSTRUCTIONS IN A SAFE PLACE FOR FUTURE REFERENCE!

⚠ WARNING! RISK OF LOSS OF LIFE OR ACCIDENT

TO INFANTS AND CHILDREN! Never leave children unsupervised with the packaging materials.
Danger of suffocation.

⚠ CAUTION! RISK OF INJURY! Make sure that all parts are undamaged and assembled correctly.
Improper assembly carries a risk of injury. Damaged parts may affect the safety and function of the product.

- Make sure that this product is standing on a solid, level surface.

⚠ CAUTION! Do not leave children unsupervised! The product is not a climbing frame or a toy! Make sure that nobody, especially a child, climbs on or leans against the product.

- Distribute weight upon this products' surface evenly so that it cannot overturn.
- Do not load more than total 50 kg onto the product, otherwise there is a risk of injury and /or damage to the product.
- Check that the product is stable before using it.
- Do not lift the product and do not move it when it is loaded.
- Keep away from fire and inflammable objects.
- Wipe clean with a damp cloth.
- Make sure that all screws and fixings are secure before use.
- Do not place very hot or very cold items on the surface(s) unless adequately thick table mats are used.
- Please periodically check all fittings and re-tighten as necessary.
- Domestic use only.

Battery warnings:

- Remove exhausted batteries from the light set immediately.
- Remove the batteries from product if the product is not in use.
- Battery leakage can cause corrosion and damage to this product.
- Replace only with "AA" type batteries.
- Only batteries of the same or equivalent type as recommended should be used.
- Do not mix old and new batteries.