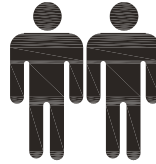


**BAR TABLE**  
**ITEM CODE: G-0577**  
**Assembly Instruction**

**1.0hr**

**APPROXIMATE ASSEMBLY TIME**

**2 PEOPLE ASSEMBLY**

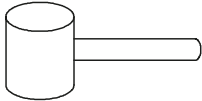


FLOOR AREA  
1Mx1M

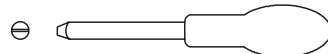


**REQUIRED ASSEMBLY SPACE**

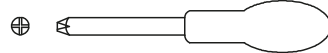
**REQUIRED ASSEMBLY TOOLS**



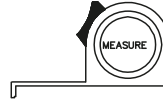
SOFT RUBBER HAMMER(NOT PROVIDED)



SLOTTED SCREWDRIVER(NOT PROVIDED)



POZI SCREWDRIVER(NOT PROVIDED)

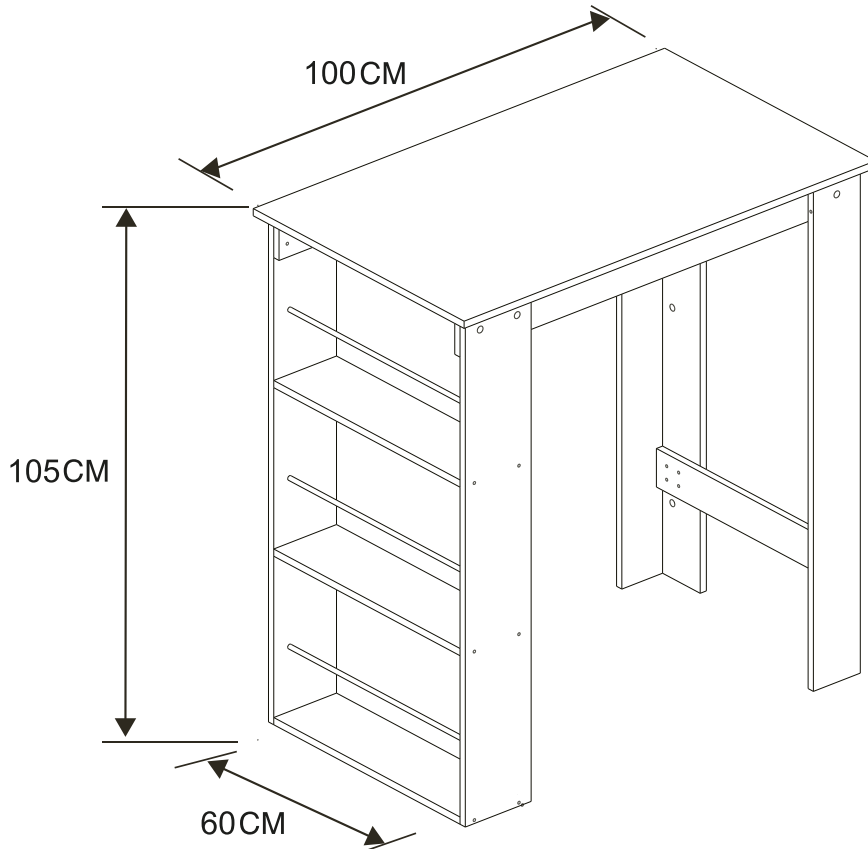


MEASURING TAPE(NOT PROVIDED)



ELECTRIC DRILL(NOT PROVIDED)

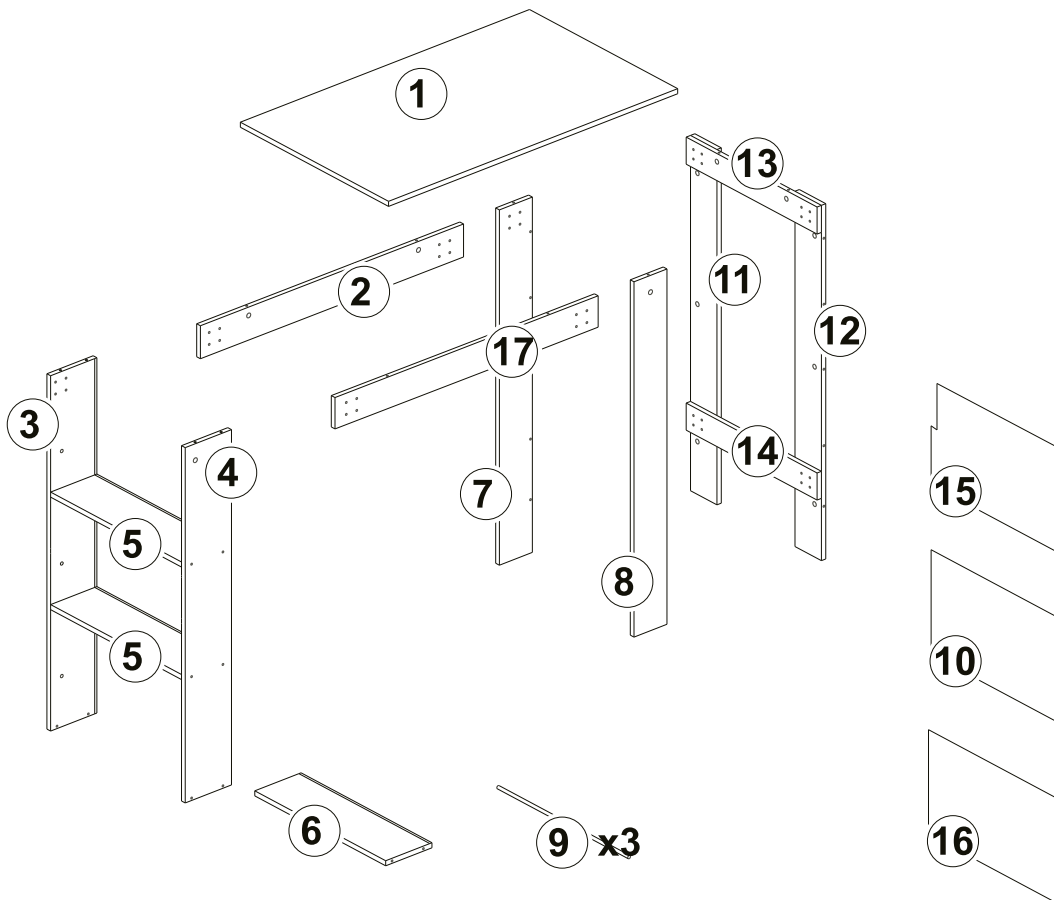
**ASSEMBLED DIMENSIONS**



# MODEL NAME: BAR TABLE G-0577

NO.	PART LIST	QTY	NO.	PART LIST	QTY
①	TOP PANEL	1	⑩	LEFT SIDE PANEL	1
②	BACK PANEL	1	⑪	RIGHT BACK SIDE PANEL	1
③	LEFT BACK PANEL	1	⑫	RIGHT FRONT SIDE PANEL	1
④	LEFT FRONT PANEL	1	⑬	RIGHT TOP SIDE PANEL	1
⑤	SHELF PANEL	2	⑭	RIGHT BOTTOM SIDE PANEL	1
⑥	SHELF PANEL	1	⑮	LEFT SIDE PANEL	1
⑦	RIGHT BACK PANEL	1	⑯	LEFT SIDE PANEL	1
⑧	RIGHT FRONT PANEL	1	⑰	FRONT PANEL	1
⑨	METAL BAR	3			

## PART LIST



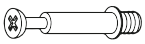

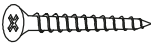
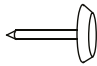
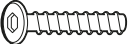


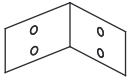

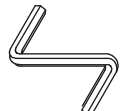




Max. Loading:40kg

2 - 12

Made in China  
Manufactured for Gill HK Limited BD4 9SW  
www.gillhk.com

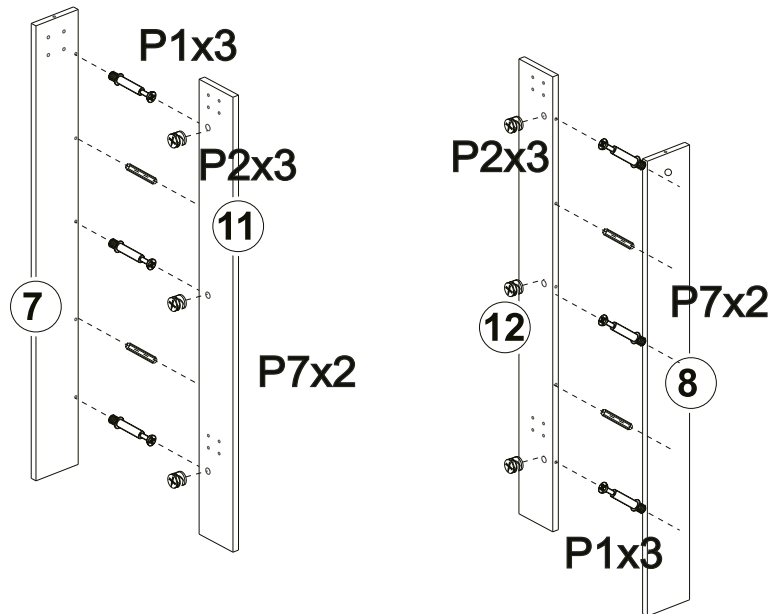
# MODEL NAME: BAR TABLE G-0577

## HARDWARE LIST

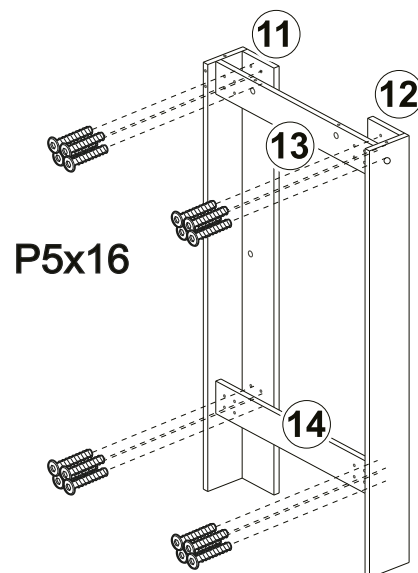
<b>P1</b>	x18	<b>P2</b>	x18	<b>P3</b>	x14	<b>P4</b>	x8	<b>P5</b>	x32
				 Dia.4x35mm				 Dia.6x20mm	
Male camlock		Female camlock		Screw		Floor Protector		Screw	
<b>P6</b>	x32	<b>P7</b>	x4	<b>P8</b>	x6	<b>P9</b>	x24	<b>P10</b>	x1
		 Dia.8x30mm				 Dia.4x12mm			
Screw labeling		Wood Dowel		Link iron		Screw		Allen Wrench	
<b>P11</b>	x2	<b>P12</b>	x4	<b>P13</b>	x2	<b>P14</b>	x2		
						 Dia.3.5x12mm			
Anti-strap		Support Plate		Wall Plug		Screw			

# MODEL NAME: BAR TABLE G-0577

## STEP 1

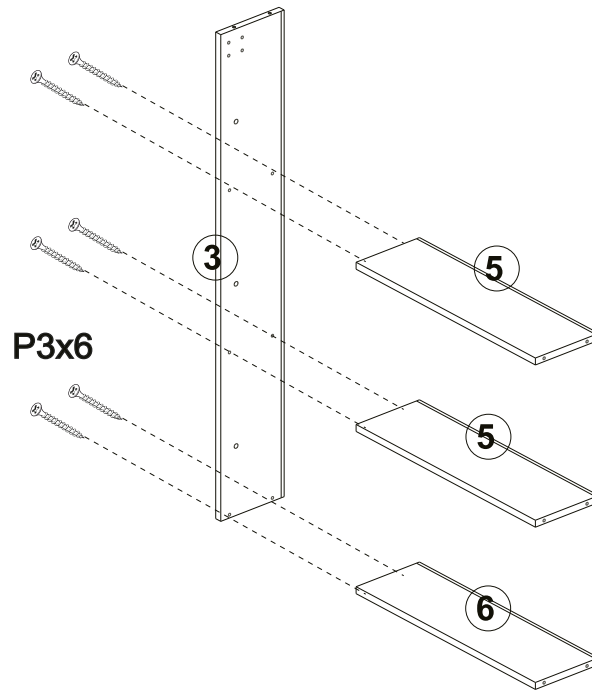


## STEP 2

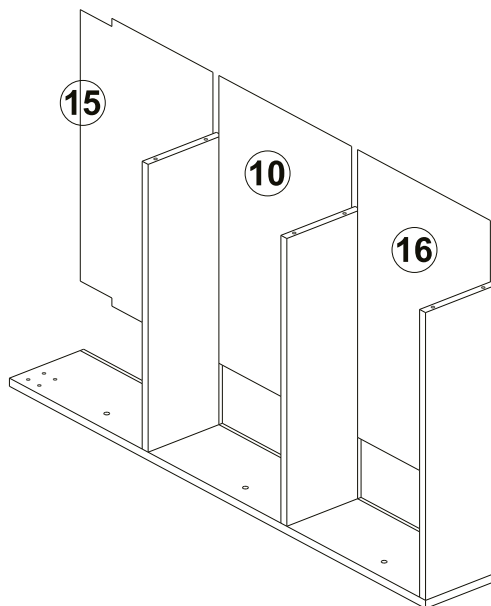


# MODEL NAME: BAR TABLE G-0577

## STEP 3

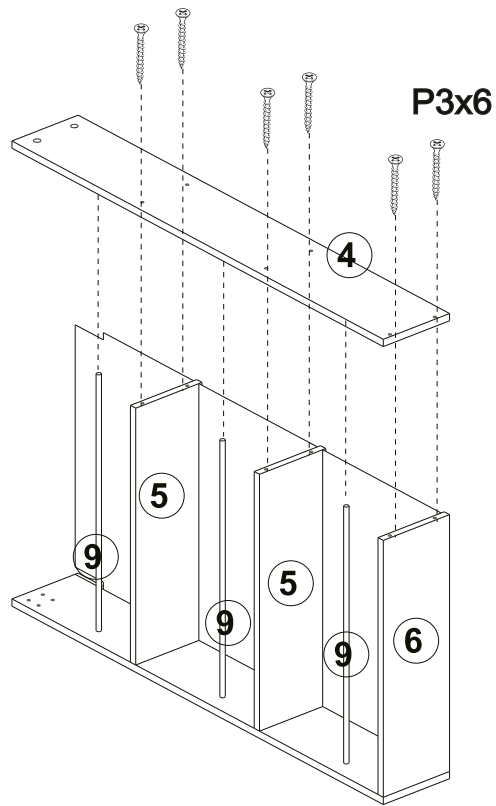


## STEP 4

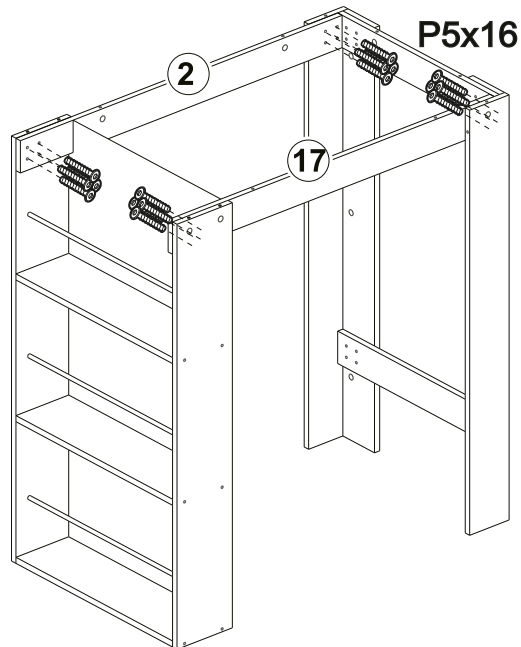


# MODEL NAME: BAR TABLE G-0577

STEP 5



STEP 6



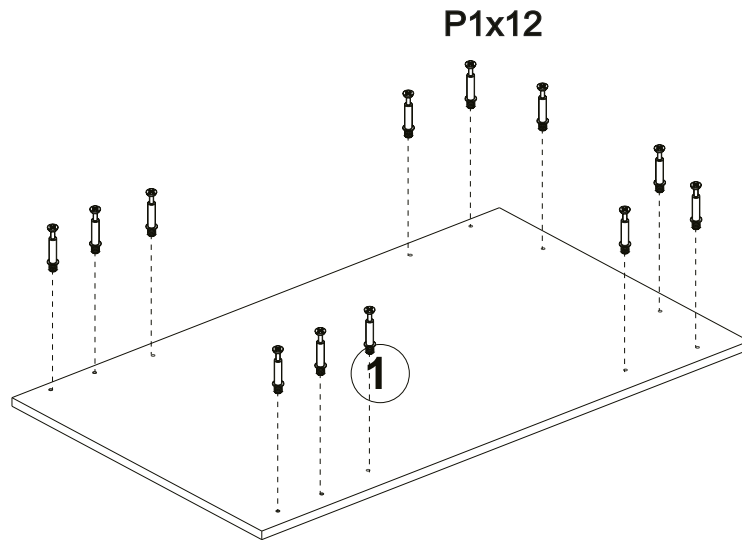
Max. Loading:40kg

6 - 12

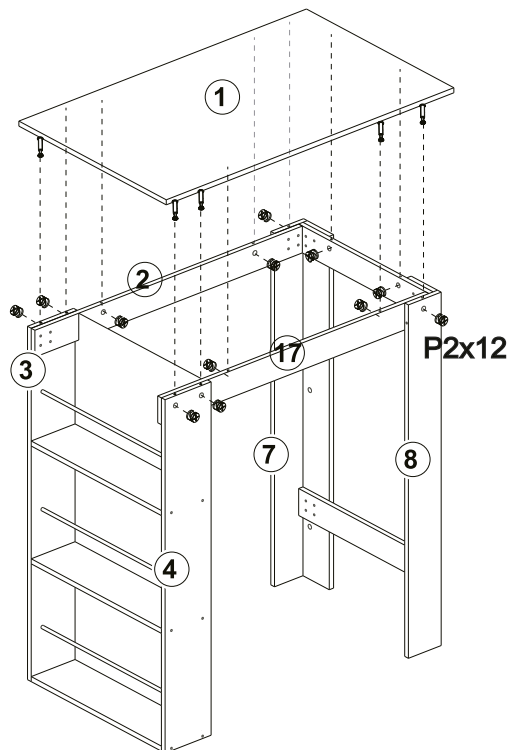
Made in China  
Manufactured for Gill HK Limited BD4 9SW  
www.gillhk.com

# MODEL NAME: BAR TABLE G-0577

## STEP 7

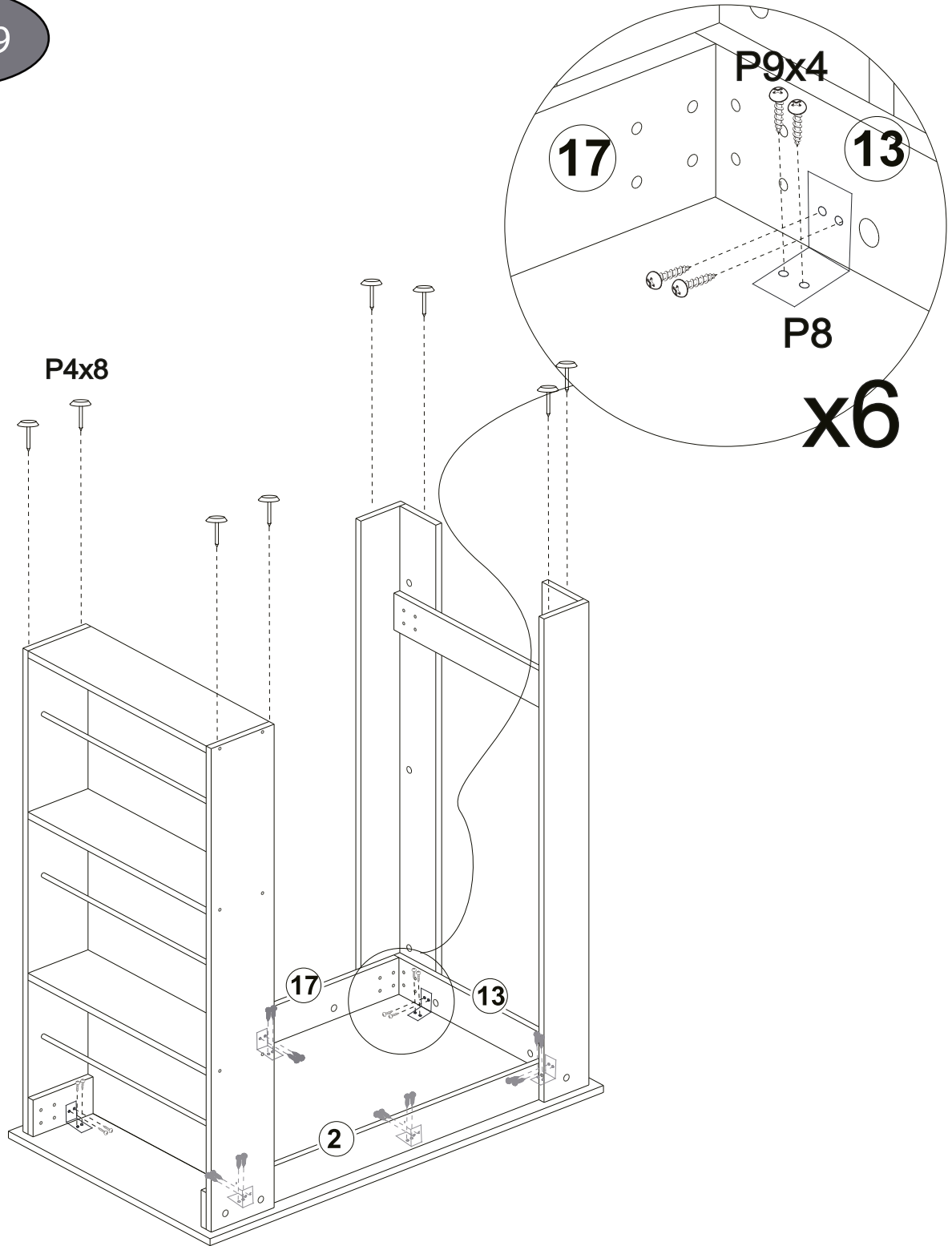


## STEP 8



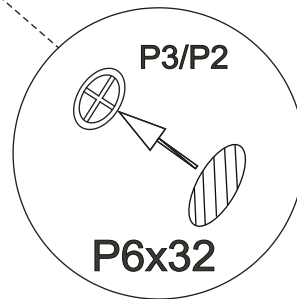
**MODEL NAME:  
BAR TABLE  
G-0577**

**STEP 9**



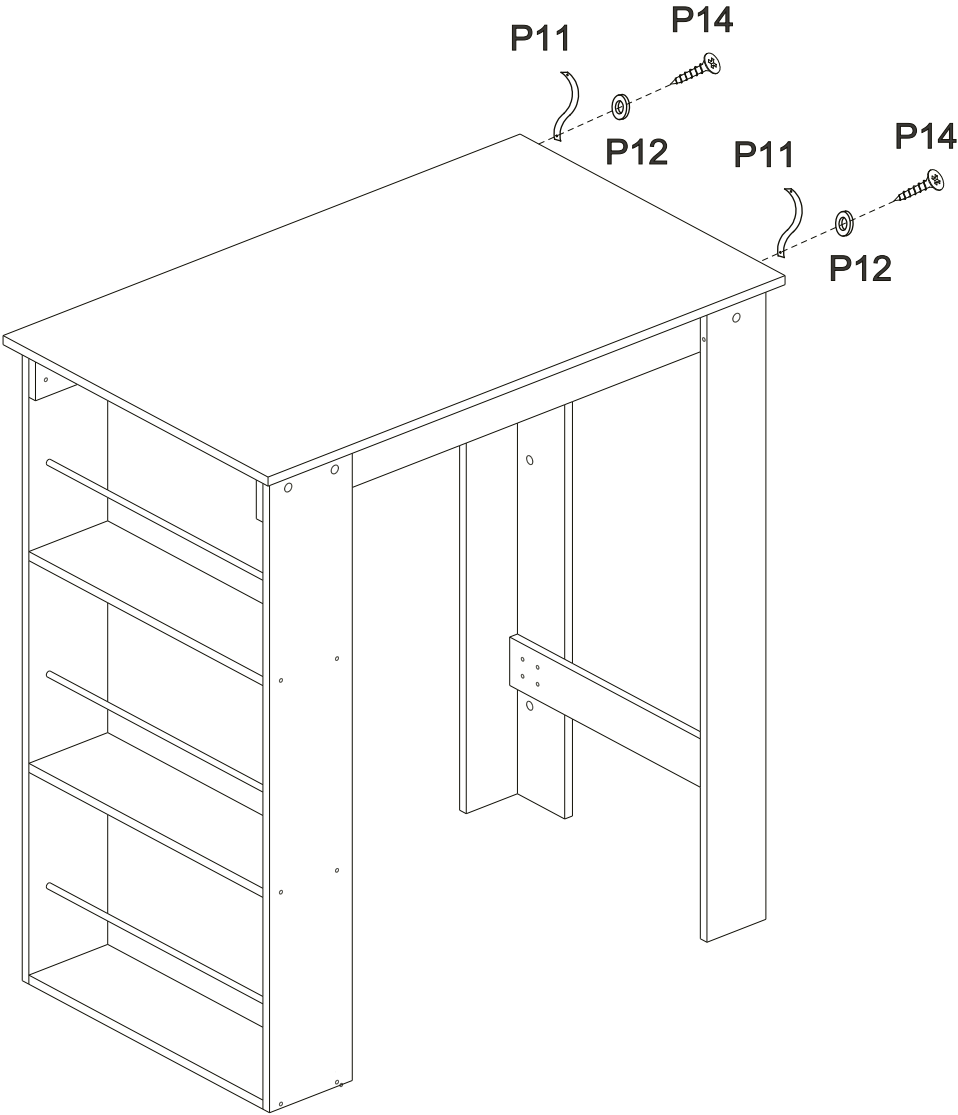
**MODEL NAME:  
BAR TABLE  
G-0577**

**STEP 10**



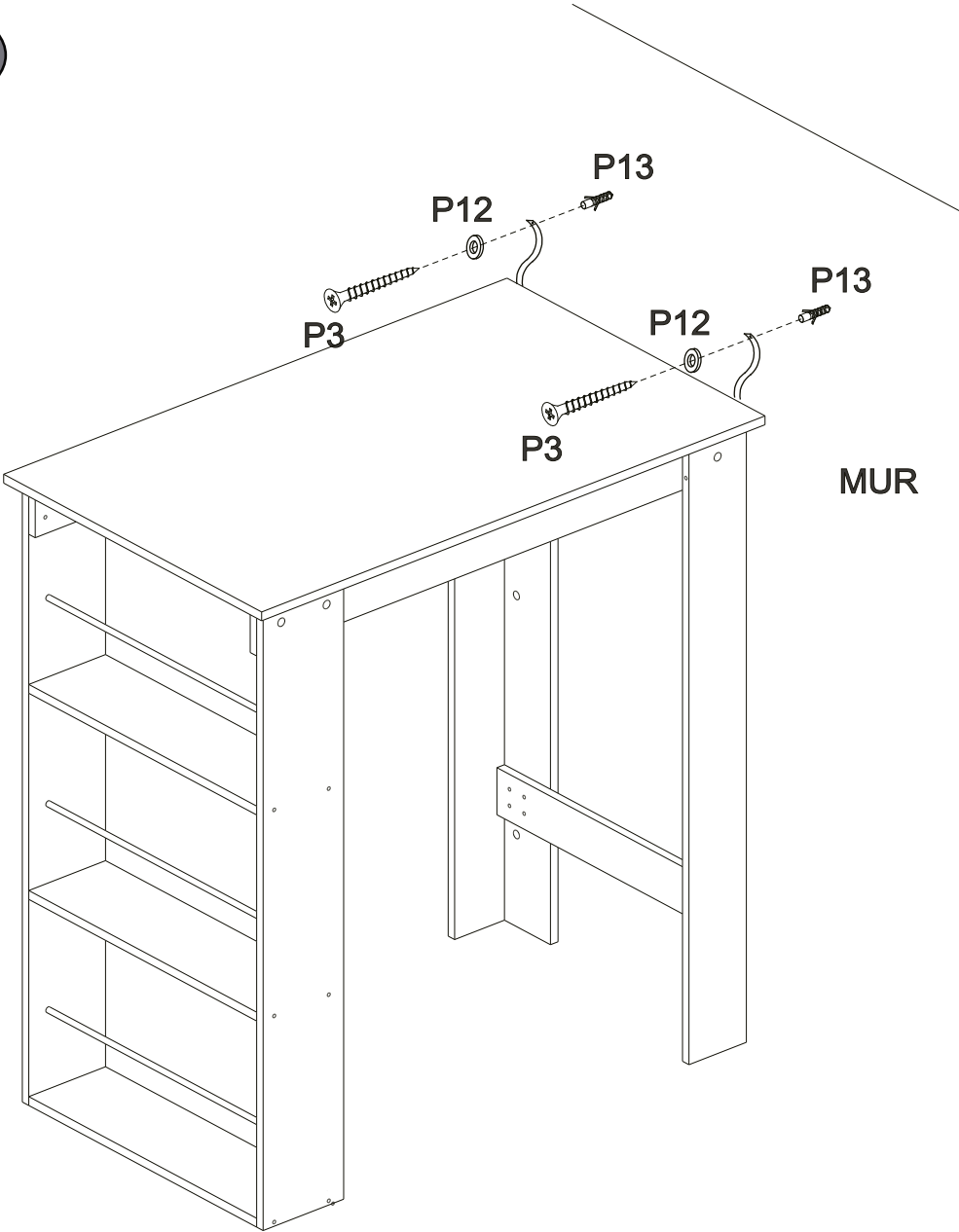
**MODEL NAME:  
BAR TABLE  
G-0577**

**STEP 11**



**MODEL NAME:  
BAR TABLE  
G-0577**

**STEP 12**



# MODEL NAME: BAR TABLE G-0577



## Safety Advice and Care Advice

KEEP ALL THE SAFETY ADVICE AND INSTRUCTIONS IN A SAFE PLACE FOR FUTURE REFERENCE!

**⚠ WARNING! RISK OF LOSS OF LIFE OR ACCIDENT TO INFANTS AND CHILDREN!** Never leave children unsupervised with the packaging materials. Danger of suffocation.

**⚠ CAUTION! RISK OF INJURY!** Make sure that all parts are undamaged and assembled correctly. Improper assembly carries a risk of injury. Damaged parts may affect the safety and function of the product.

- Make sure that this product is standing on a solid, level surface.

**⚠ CAUTION!** Do not leave children unsupervised! The product is not a climbing frame or a toy! Make sure that nobody, especially a child, climbs on or leans against the product.

- Distribute weight evenly across the product so that it cannot overturn.
- Do not load more than a total of 20kg onto the product, otherwise there is a risk of injury and/or damage to the product.
- Check that the product is stable before using it.
- Do not lift or move the product when it is loaded.
- Keep away from fire and inflammable objects.
- **Wipe clean with a damp cloth.**
- Make sure that all screws and fixings are secure before use.
- Do not place very hot or very cold items on the surface(s) unless adequately thick table mats are used.
- Please periodically check all fittings and re-tighten as necessary.
- Domestic use only.

**WARNING:**

Keep hands/fingers away from moving parts.