

# SAXONY

## SIDEBOARD WITH 2 LAUNDRY HAMPER

ITEM CODE: G-0579  
Assembly Instruction

# 1.0hr

APPROXIMATE ASSEMBLY TIME

2 PEOPLE ASSEMBLY

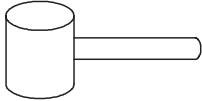


FLOOR AREA  
1Mx1M

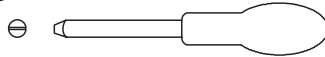


REQUIRED ASSEMBLY SPACE

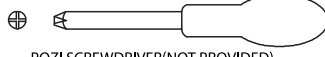
### REQUIRED ASSEMBLY TOOLS



SOFT RUBBER HAMMER(NOT PROVIDED)



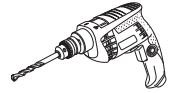
SLOTTED SCREWDRIVER(NOT PROVIDED)



POZI SCREWDRIVER(NOT PROVIDED)

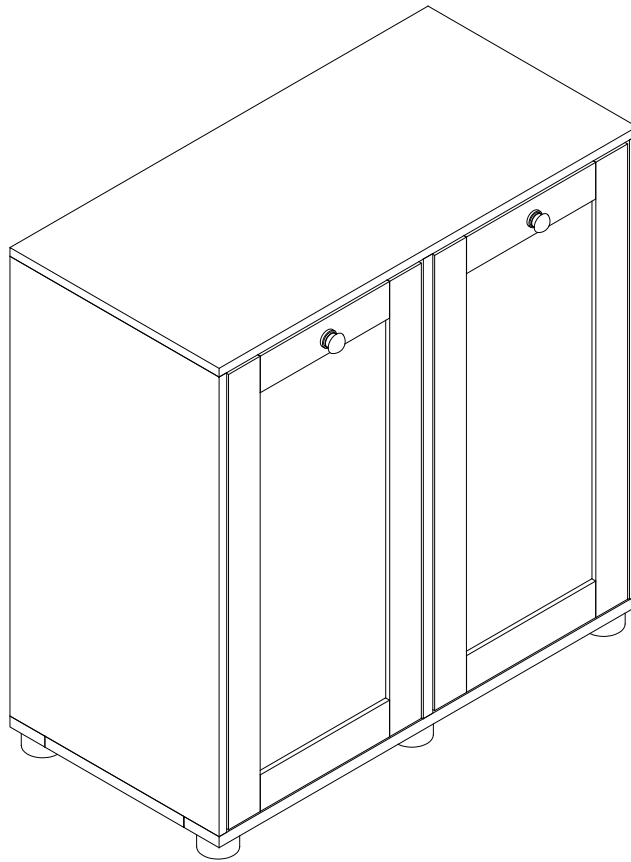


MEASURING TAPE(NOT PROVIDED)



ELECTRIC DRILL(NOT PROVIDED)

### ASSEMBLED DIMENSIONS



Max. Loading: 12kg

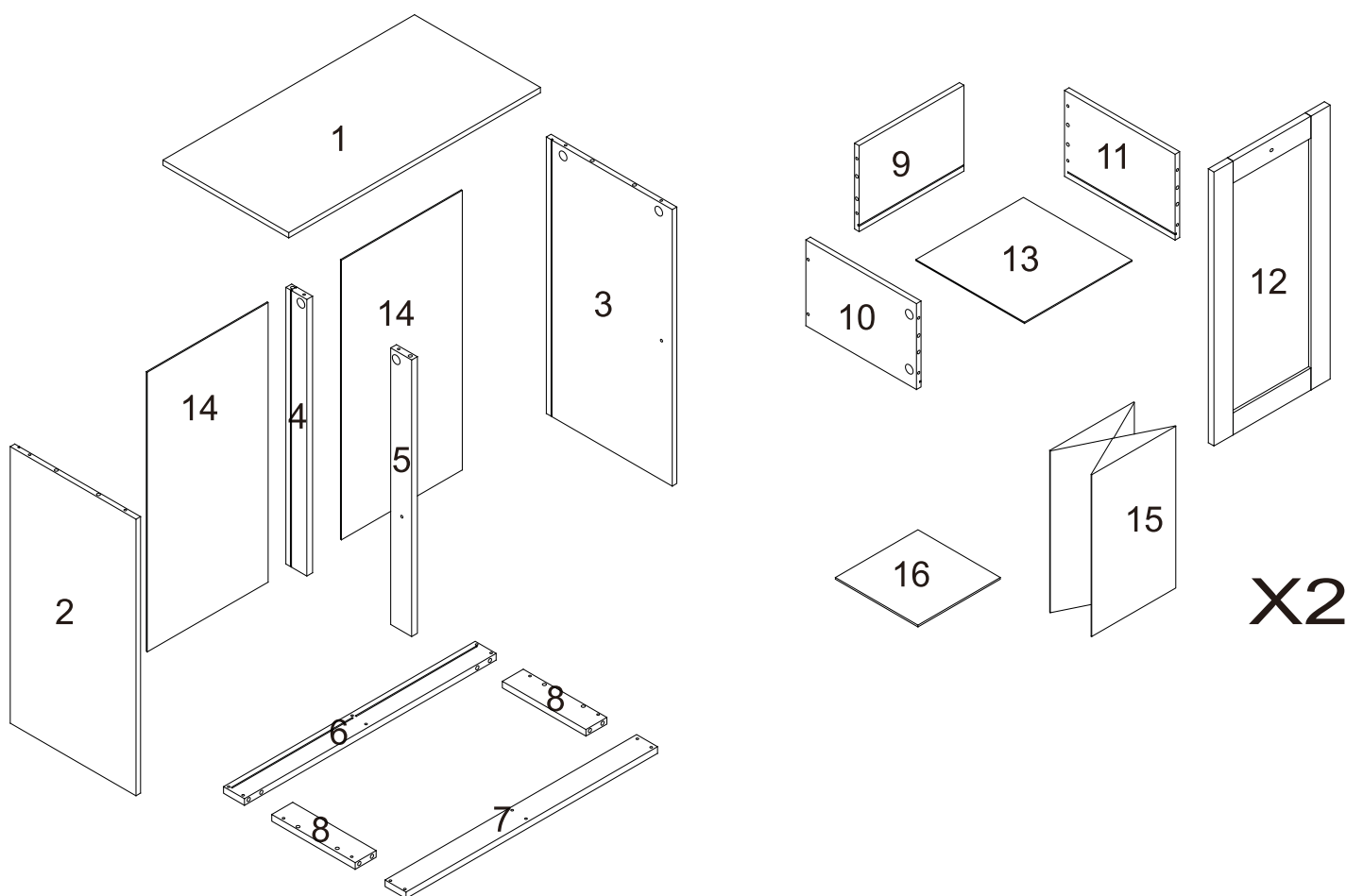
1 - 11

Made in China  
Manufactured for Gill HK Limited BD4 9SW  
[www.gillhk.com](http://www.gillhk.com)

# SIDEBOARD WITH 2 LAUNDRY HAMPER

ITEM CODE: G-0579  
Assembly Instruction

## PART LIST



**X2**

Max. Loading: 12kg

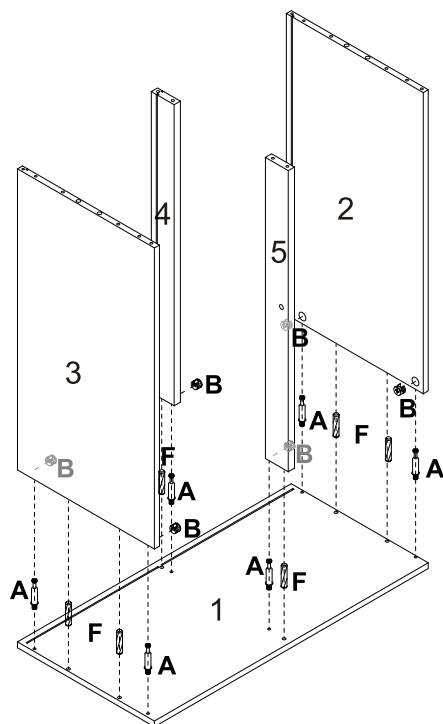
2 - 11

Made in China  
Manufactured for Gill HK Limited BD4 9SW  
www.gillhk.com

# SIDEBOARD WITH 2 LAUNDRY HAMPER

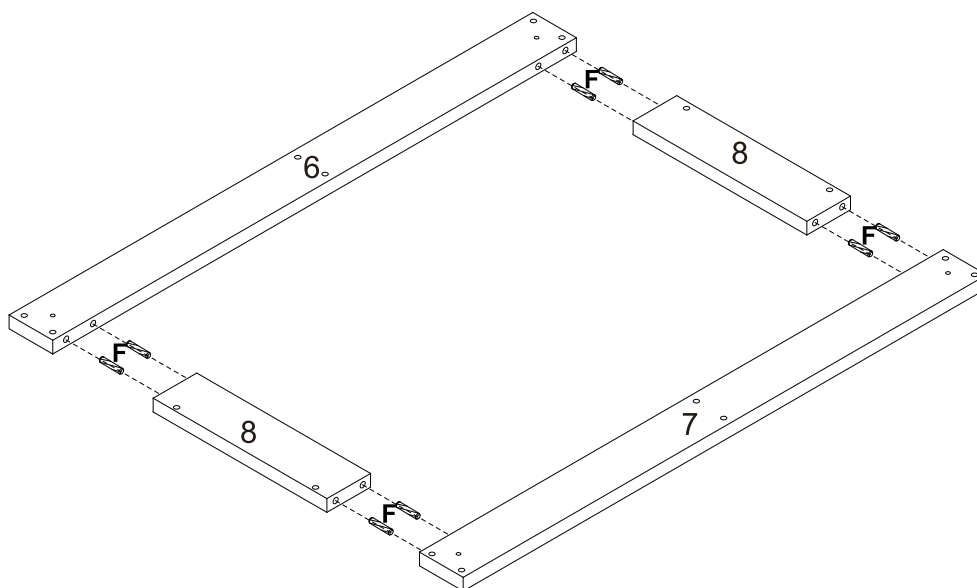
ITEM CODE: G-0579  
Assembly Instruction


## STEP 1



 A x 6     B x 6     F x 6

## STEP 2








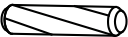


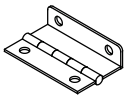

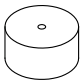
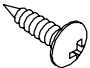


 F x 8

Max. Loading: 12kg

# SIDEBOARD WITH 2 LAUNDRY HAMPER

ITEM CODE: G-0579  
 Assembly Instruction

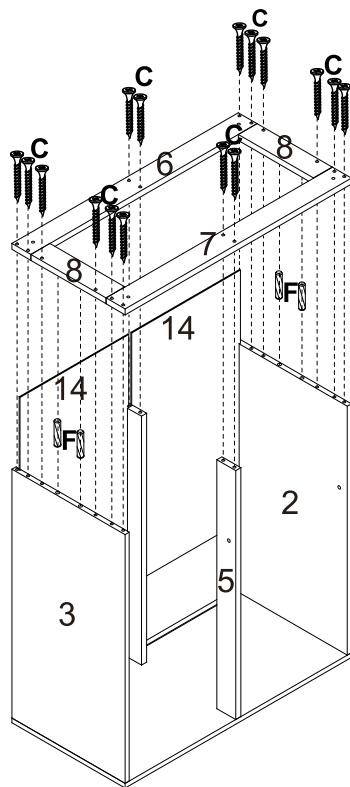
## HARDWARE LIST

A	x 14	B	x 14	C	x 26	D	x 5	E	x 16
									
F	x 34	G	x 2	H	x 2	I	x 4	J	x 4
									
K	x 5	L	x 2	M	x 2	N	x 2		
									

# SIDEBOARD WITH 2 LAUNDRY HAMPER

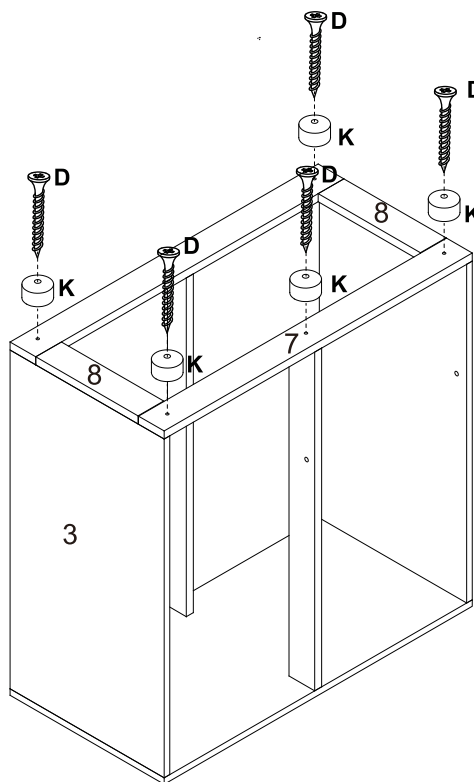
ITEM CODE: G-0579  
Assembly Instruction



## STEP 3



 C x 16  F x 4

## STEP 4



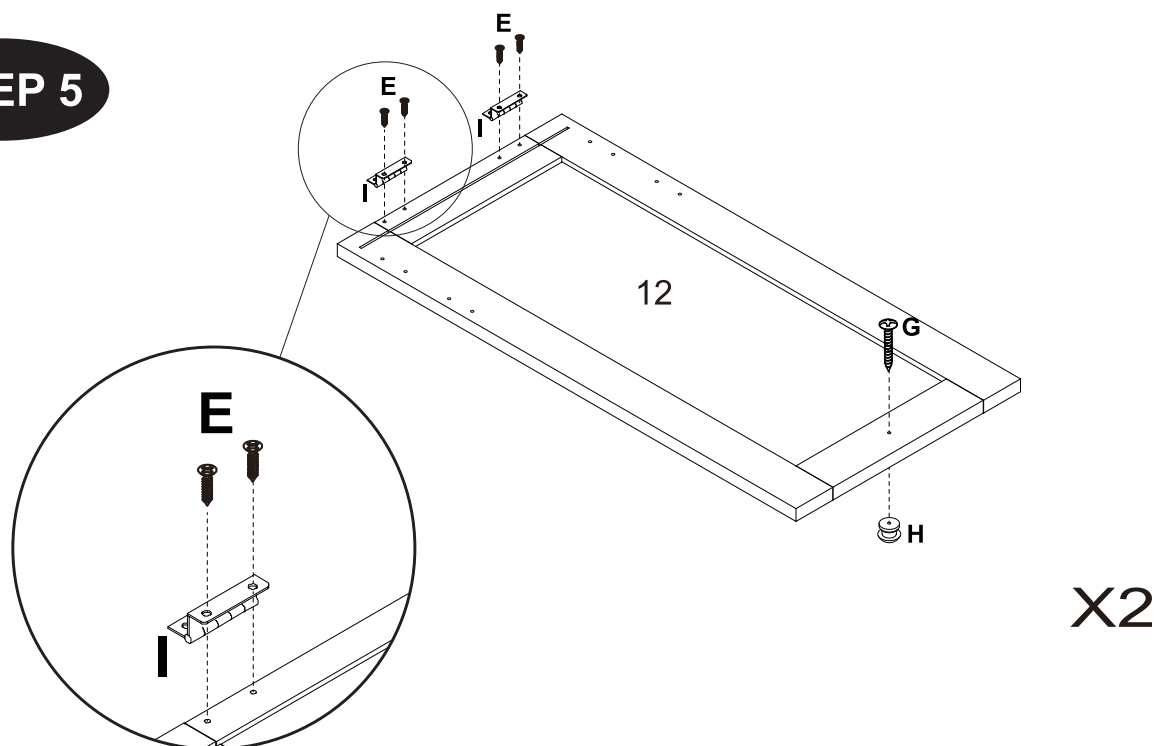
 D x 5  K x 5


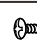


Max. Loading: 12kg

# SIDEBOARD WITH 2 LAUNDRY HAMPER

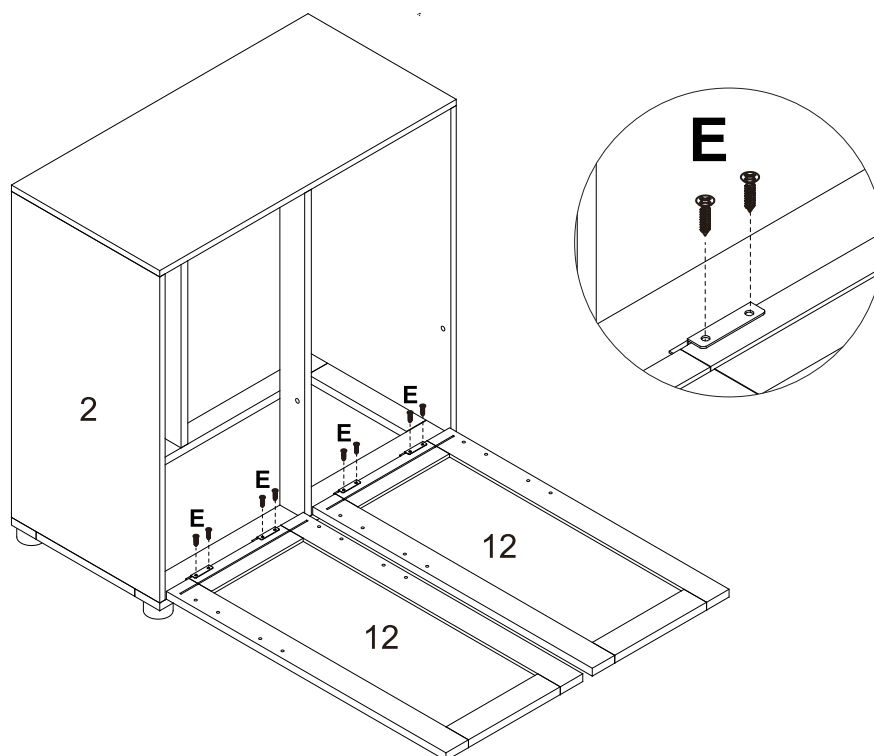
ITEM CODE: G-0579  
Assembly Instruction

## STEP 5



 E x 8     G x 2     H x 2     I x 4

## STEP 6



 E x 8

Max. Loading: 12kg

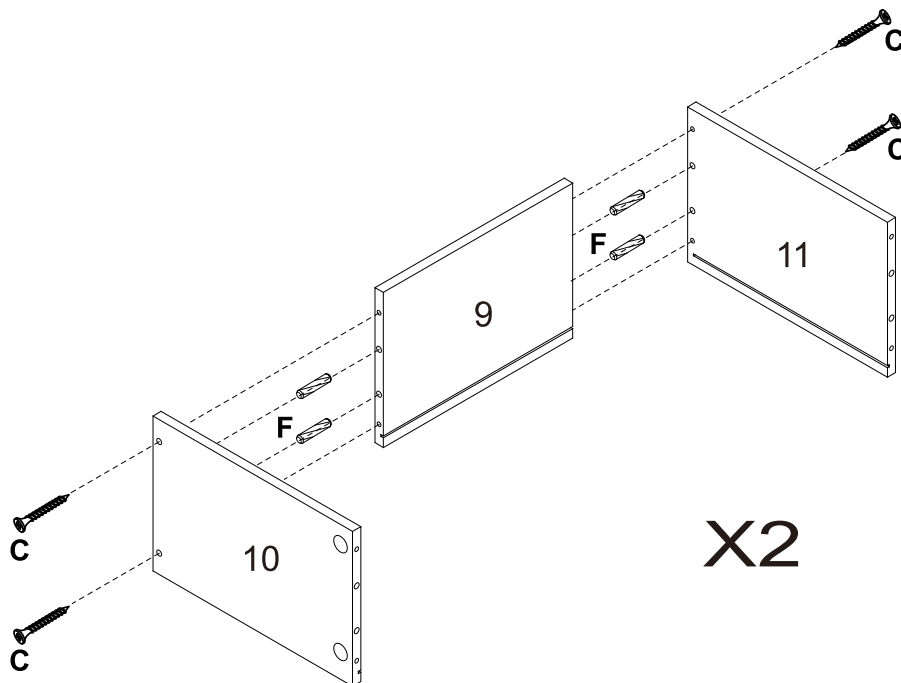
6 - 11



Made in China  
Manufactured for Gill HK Limited BD4 9SW  
[www.gillhk.com](http://www.gillhk.com)

# SIDEBOARD WITH 2 LAUNDRY HAMPER

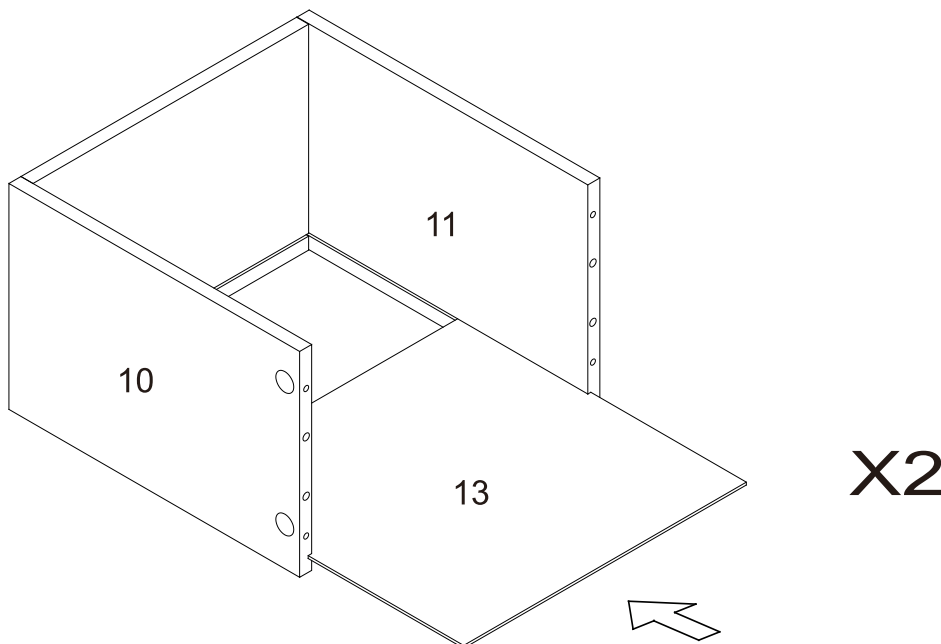
ITEM CODE: G-0579  
Assembly Instruction

## STEP 7



 C x 8     F x 8

## STEP 8



Max. Loading: 12kg

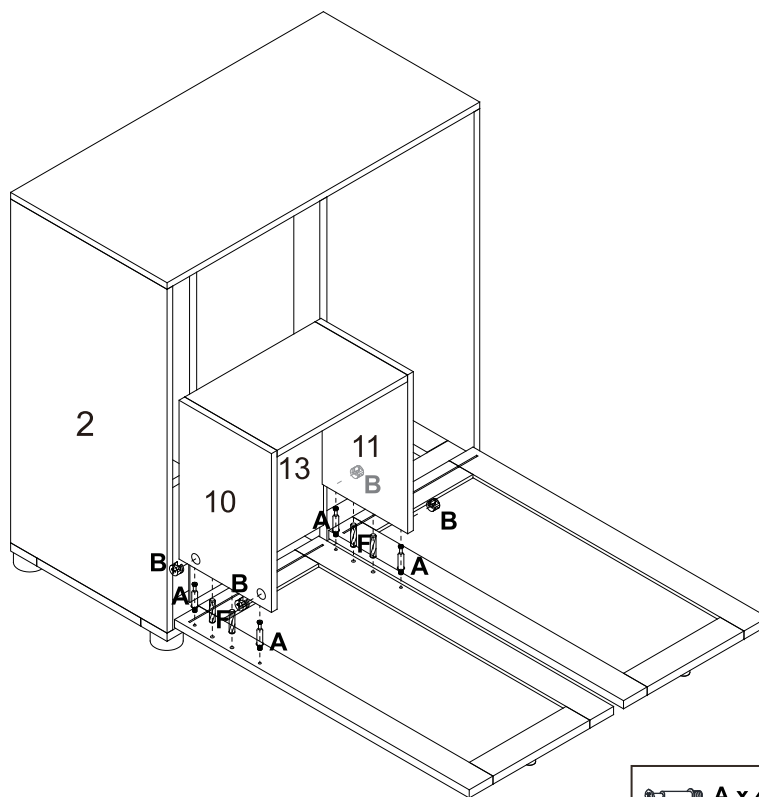
7 - 11

Made in China  
Manufactured for Gill HK Limited BD4 9SW  
[www.gillhk.com](http://www.gillhk.com)

# SIDEBOARD WITH 2 LAUNDRY HAMPER

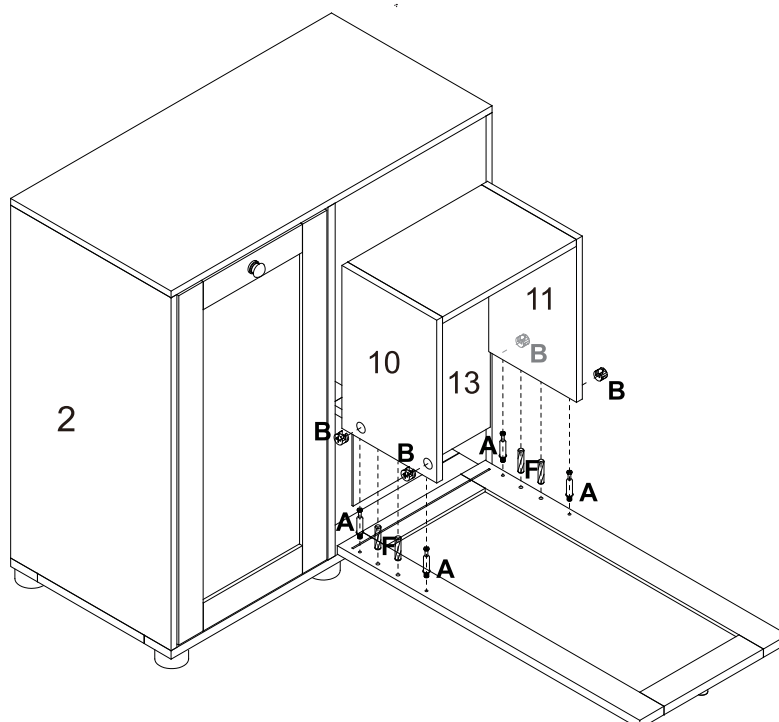
ITEM CODE: G-0579  
Assembly Instruction

## STEP 9



 A x 4     B x 4     F x 4

## STEP 10



 A x 4     B x 4     F x 4

Max. Loading: 12kg

8 - 11

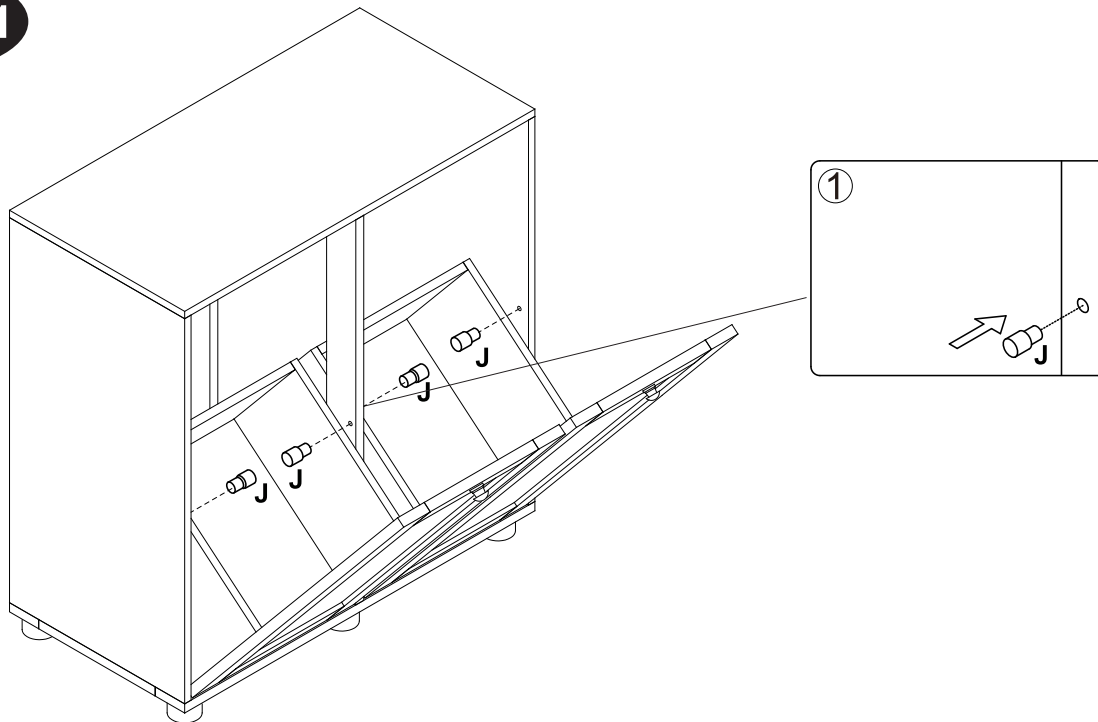
Made in China  
Manufactured for Gill HK Limited BD4 9SW  
[www.gillhk.com](http://www.gillhk.com)

# SIDEBOARD WITH 2 LAUNDRY HAMPER

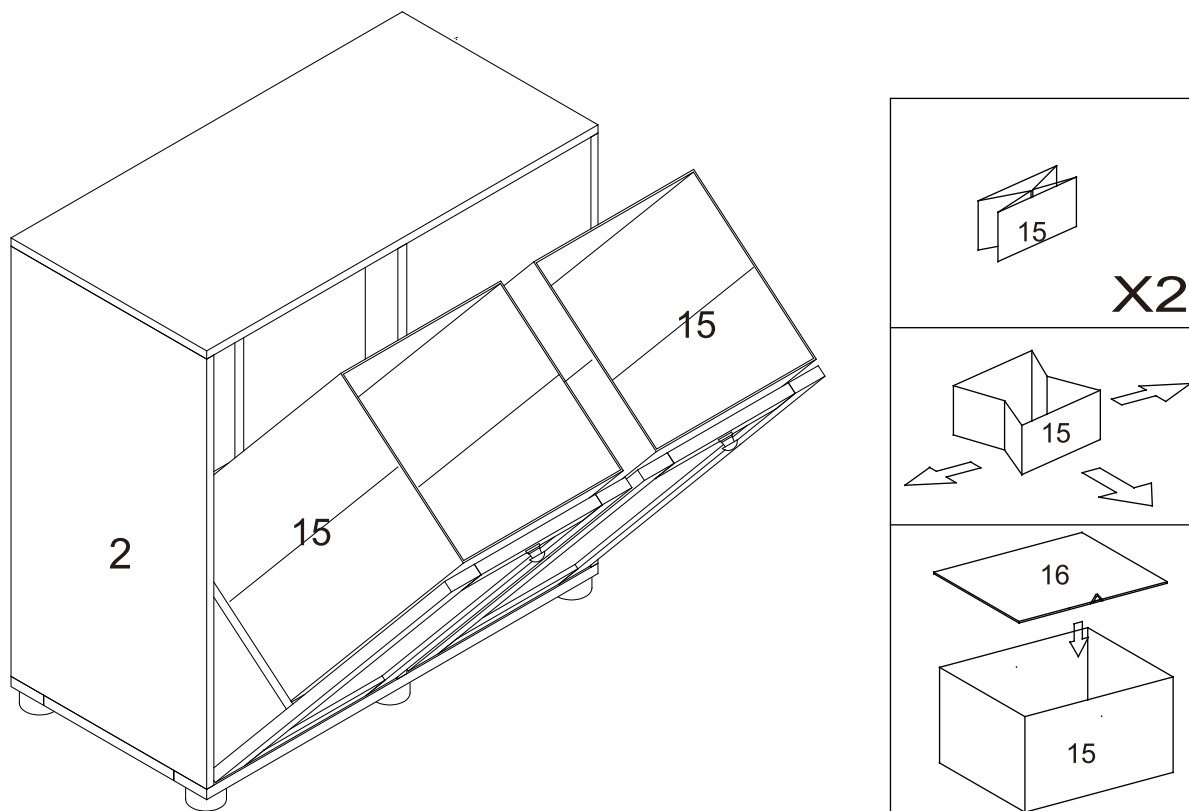
ITEM CODE: G-0579

## Assembly Instruction

### STEP 11



### STEP 12



Max. Loading: 12kg

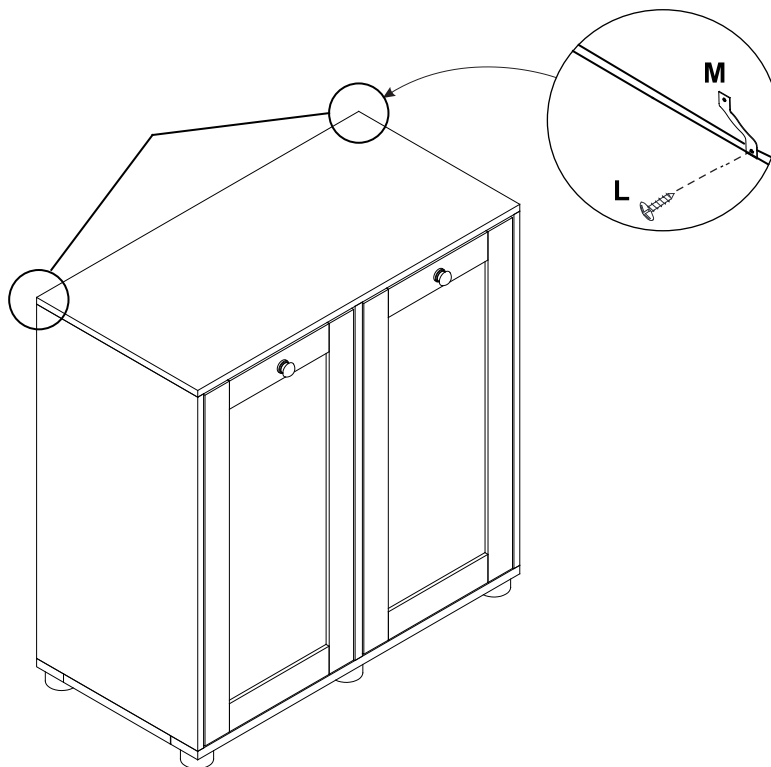
9 - 11

Made in China  
Manufactured for Gill HK Limited BD4 9SW  
www.gillhk.com

# SIDEBOARD WITH 2 LAUNDRY HAMPER

ITEM CODE: G-0579  
Assembly Instruction

## STEP 13

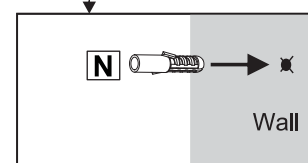
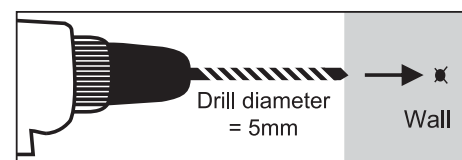
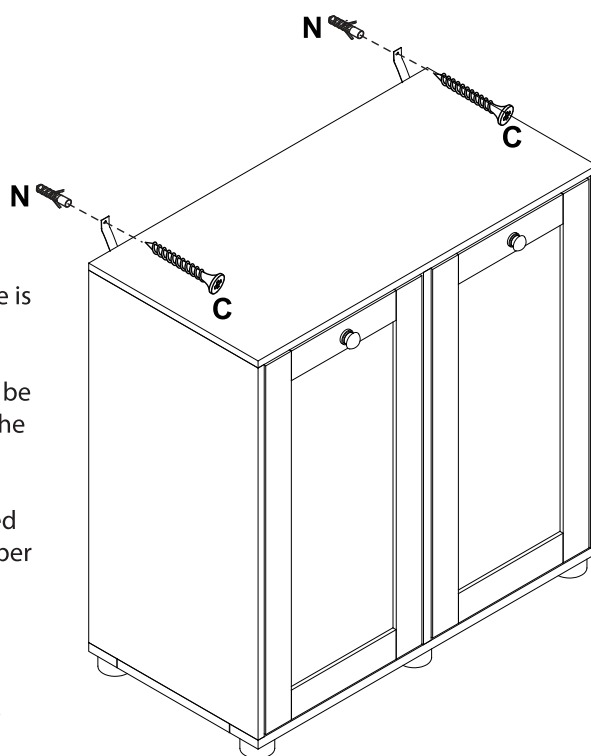


 L x 2  M x 2

## STEP 14

**WARNING:** Anti-tipping hardware is only a deterrent. It is not a substitute for proper adult supervision. Young children may be injured by tipping furniture and the use of a tipping restraint is highly recommended, could provide protection against the unexpected tipping of furniture due to improper use.

Please ensure the anti-tipping hardware provided is suitable for your wall or else it might damage your wall during installation.



 C x 2  N x 2

Max. Loading: 12kg

10 - 11

Made in China  
Manufactured for Gill HK Limited BD4 9SW  
[www.gillhk.com](http://www.gillhk.com)

# SIDEBOARD WITH 2 LAUNDRY HAMPER

ITEM CODE: G-0579

## Assembly Instruction



### Safety Advice and Care Advice

KEEP ALL THE SAFETY ADVICE AND INSTRUCTIONS IN A SAFE PLACE FOR FUTURE REFERENCE!

**⚠ WARNING! RISK OF LOSS OF LIFE OR ACCIDENT**

**TO INFANTS AND CHILDREN!** Never leave children unsupervised with the packaging materials. Danger of suffocation.

**⚠ CAUTION! RISK OF INJURY!** Make sure that all parts are undamaged and assembled correctly. Improper assembly carries a risk of injury. Damaged parts may affect the safety and function of the product.

- Make sure that this product is standing on a solid, level surface.

**⚠ CAUTION!** Do not leave children unsupervised! The product is not a climbing frame or a toy! Make sure that nobody, especially a child, climbs on or leans against the product.

- Distribute weight evenly across the product so that it cannot overturn.
- Do not load more than a total of 12kg onto the product, otherwise there is a risk of injury and/or damage to the product.
- Check that the product is stable before using it.
- Do not lift or move the product when it is loaded.
- Keep away from fire and inflammable objects.
- **Wipe clean with a damp cloth.**
- Make sure that all screws and fixings are secure before use.
- Do not place very hot or very cold items on the surface(s) unless adequately thick table mats are used.
- Please periodically check all fittings and re-tighten as necessary.
- Domestic use only.