

SAXONY

SIDEBOARD WITH 2 LAUNDRY HAMPER

ITEM CODE: G-0580
Assembly Instruction

1.0hr

APPROXIMATE ASSEMBLY TIME

2 PEOPLE ASSEMBLY

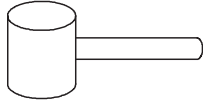


FLOOR AREA
1Mx1M

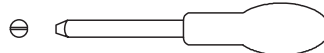


REQUIRED ASSEMBLY SPACE

REQUIRED ASSEMBLY TOOLS



SOFT RUBBER HAMMER(NOT PROVIDED)



SLOTTED SCREWDRIVER(NOT PROVIDED)

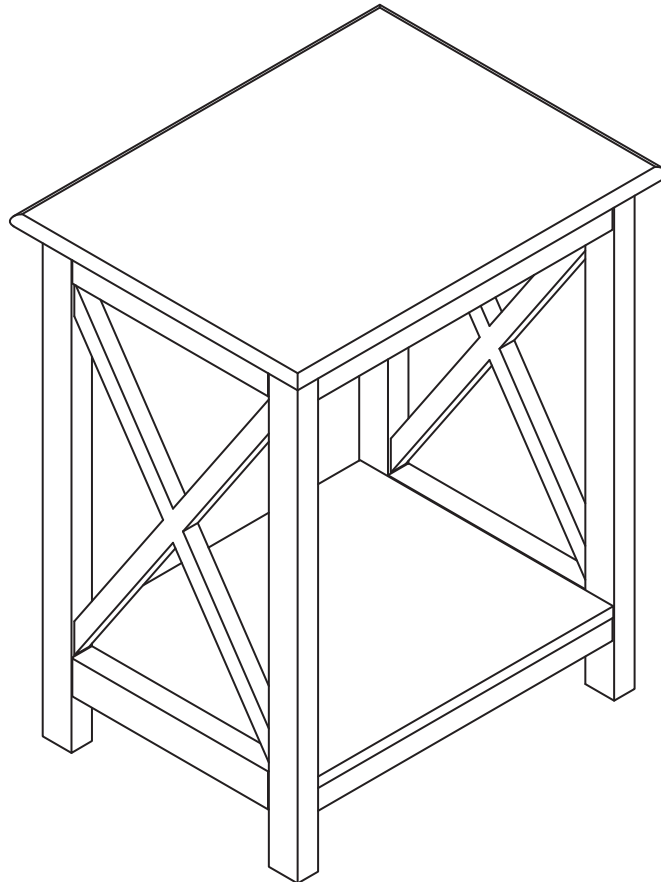


POZZI SCREWDRIVER(NOT PROVIDED)



MEASURING TAPE(NOT PROVIDED)

ASSEMBLED DIMENSIONS



Max. Loading: 10kg

1 - 6

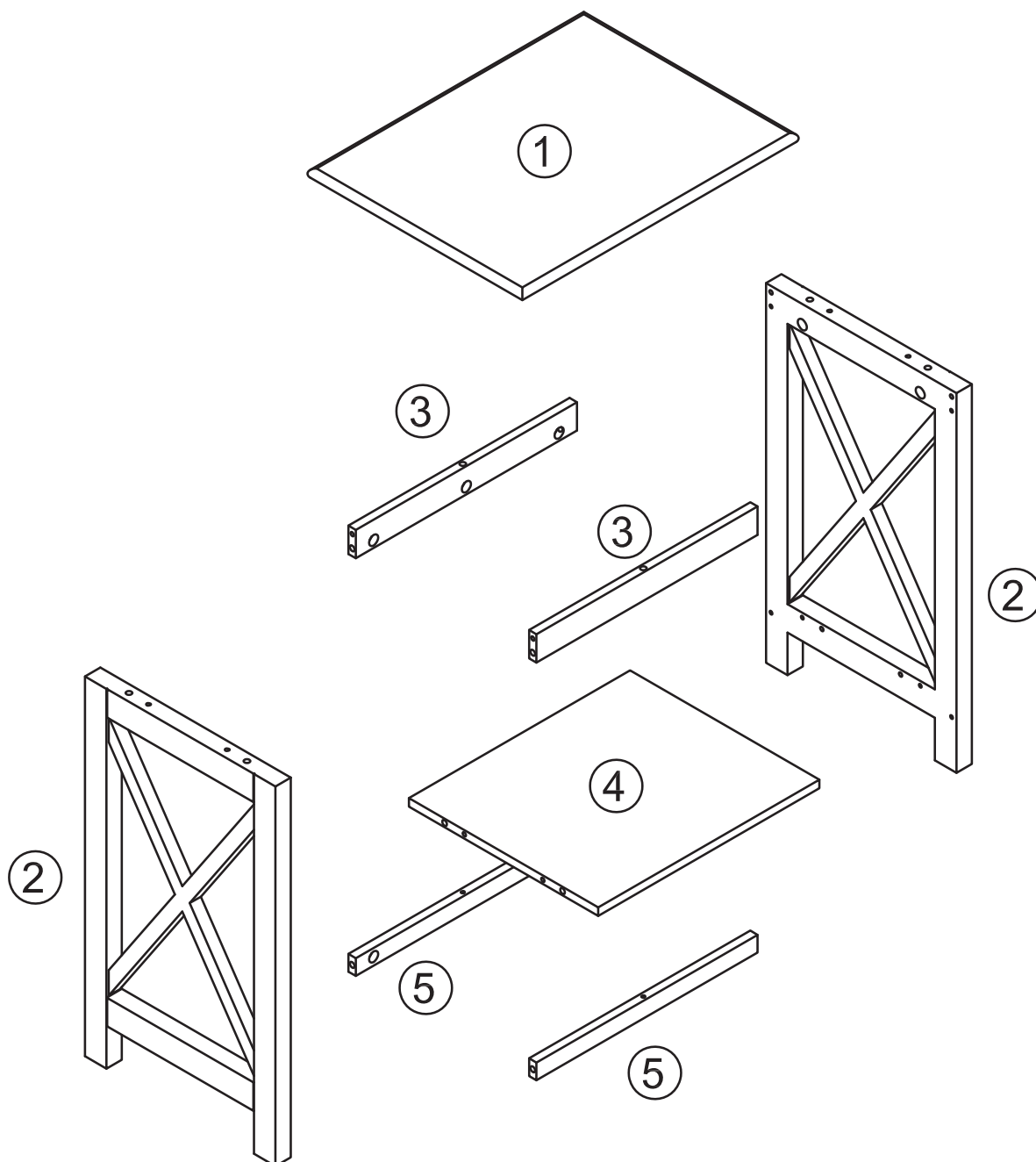
Made in China
Manufactured for Gill HK Limited BD4 9SW
www.gillhk.com

SIDEBOARD WITH 2 LAUNDRY HAMPER

ITEM CODE: G-0580

Assembly Instruction

PART LIST



Max. Loading: 10kg

2 - 6

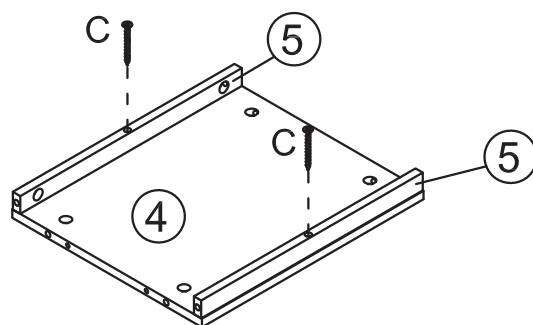
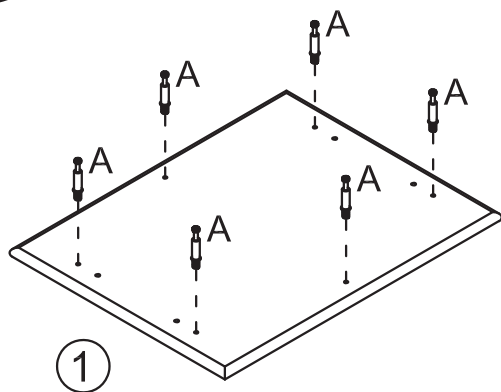
Made in China
Manufactured for Gill HK Limited BD4 9SW
www.gillhk.com

SIDEBOARD WITH 2 LAUNDRY HAMPER

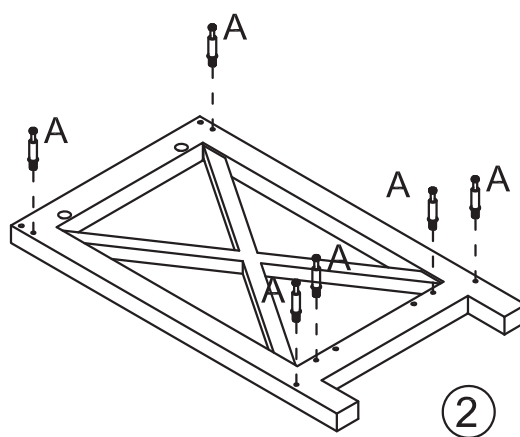
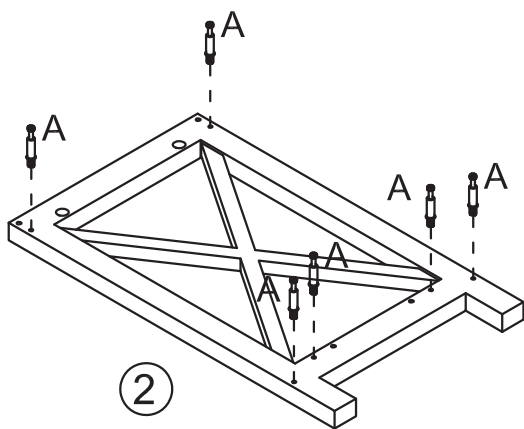
ITEM CODE: G-0580

Assembly Instruction

STEP 1



STEP 2



Max. Loading: 10kg

4 - 6


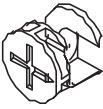


Made in China
Manufactured for Gill HK Limited BD4 9SW
www.gillhk.com

SIDEBOARD WITH 2 LAUNDRY HAMPER

ITEM CODE: G-0580

Assembly Instruction

HARDWARE LIST

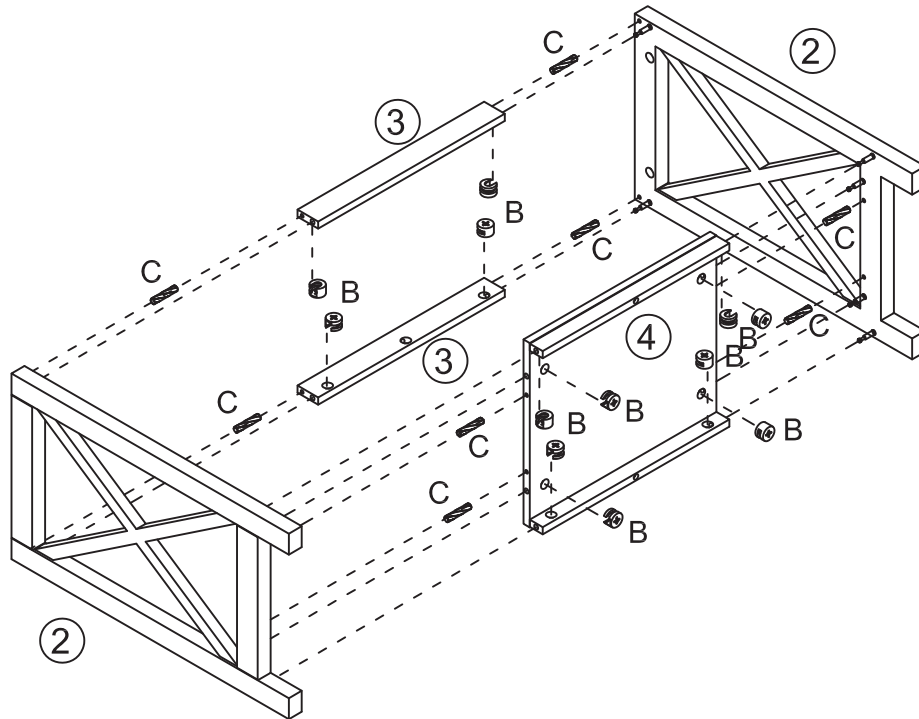
A	x 18	B	x 18	C	x 12	D	x 2		
									

SIDEBORD WITH 2 LAUNDRY HAMPER

ITEM CODE: G-0580

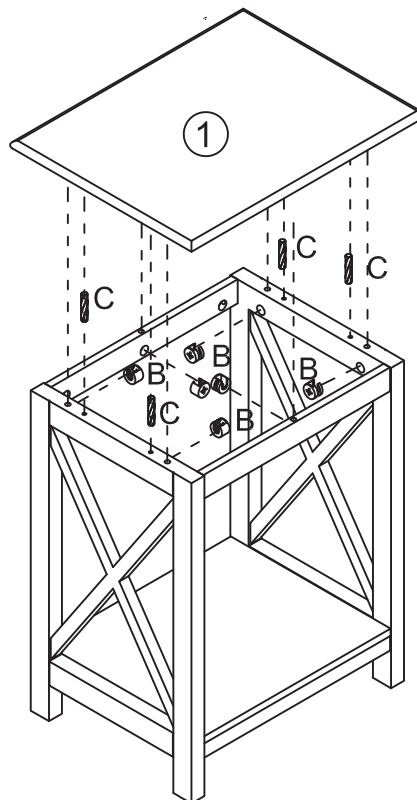
Assembly Instruction

STEP 3



 C x 16  F x 4

STEP 4



 D x 5  K x 5

Max. Loading: 10kg

5 - 6

Made in China
Manufactured for Gill HK Limited BD4 9SW
www.gillhk.com

SIDEBOARD WITH 2 LAUNDRY HAMPER

ITEM CODE: G-0580

Assembly Instruction



Safety Advice and Care Advice

KEEP ALL THE SAFETY ADVICE AND INSTRUCTIONS IN A SAFE PLACE FOR FUTURE REFERENCE!

⚠ WARNING! RISK OF LOSS OF LIFE OR ACCIDENT TO INFANTS AND CHILDREN! Never leave children unsupervised with the packaging materials. Danger of suffocation.

⚠ CAUTION! RISK OF INJURY! Make sure that all parts are undamaged and assembled correctly. Improper assembly carries a risk of injury. Damaged parts may affect the safety and function of the product.

- Make sure that this product is standing on a solid, level surface.

⚠ CAUTION! Do not leave children unsupervised! The product is not a climbing frame or a toy! Make sure that nobody, especially a child, climbs on or leans against the product.

- Distribute weight evenly across the product so that it cannot overturn.
- Do not load more than a total of 10kg onto the product, otherwise there is a risk of injury and/or damage to the product.
- Check that the product is stable before using it.
- Do not lift or move the product when it is loaded.
- Keep away from fire and inflammable objects.
- **Wipe clean with a damp cloth.**
- Make sure that all screws and fixings are secure before use.
- Do not place very hot or very cold items on the surface(s) unless adequately thick table mats are used.
- Please periodically check all fittings and re-tighten as necessary.
- Domestic use only.