

SAXONY

CONSOLE RANGE NARROW MINIMALIST SET OF 2

ITEM CODE: G-0582
Assembly Instruction

1.0hr

APPROXIMATE ASSEMBLY TIME

2 PEOPLE ASSEMBLY

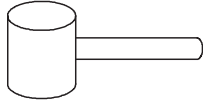


FLOOR AREA
1Mx1M

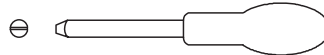


REQUIRED ASSEMBLY SPACE

REQUIRED ASSEMBLY TOOLS



SOFT RUBBER HAMMER(NOT PROVIDED)



SLOTTED SCREWDRIVER(NOT PROVIDED)

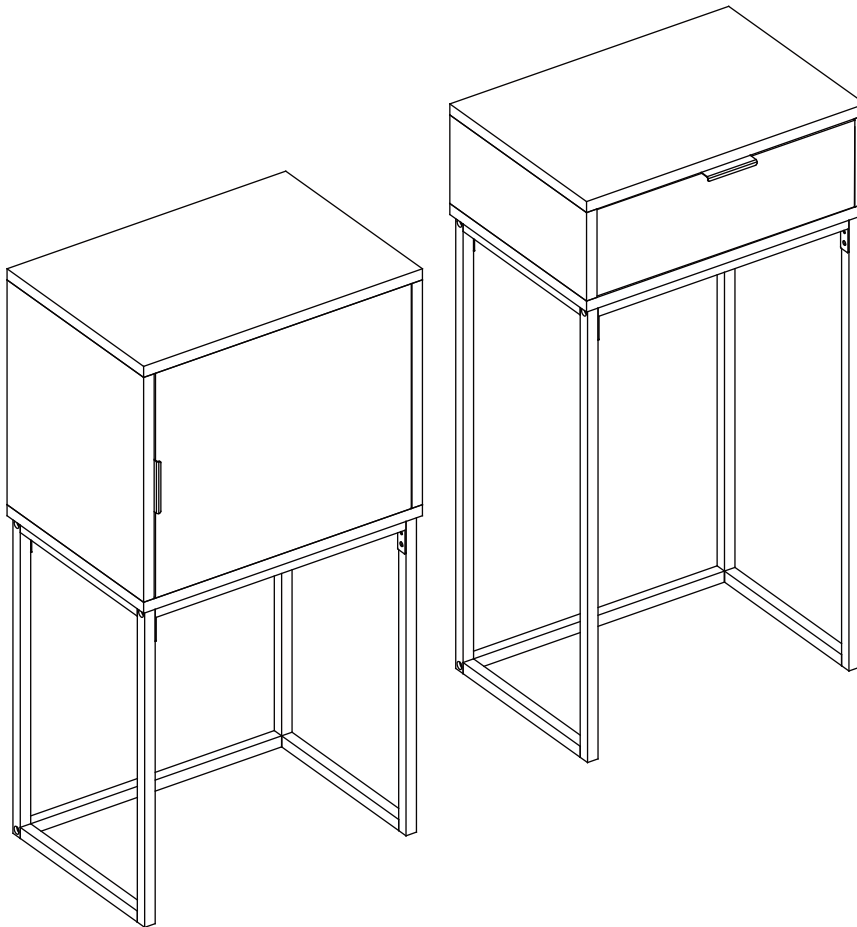


POZI SCREWDRIVER(NOT PROVIDED)



MEASURING TAPE(NOT PROVIDED)

ASSEMBLED DIMENSIONS



Max. Loading: 6kg each shelf

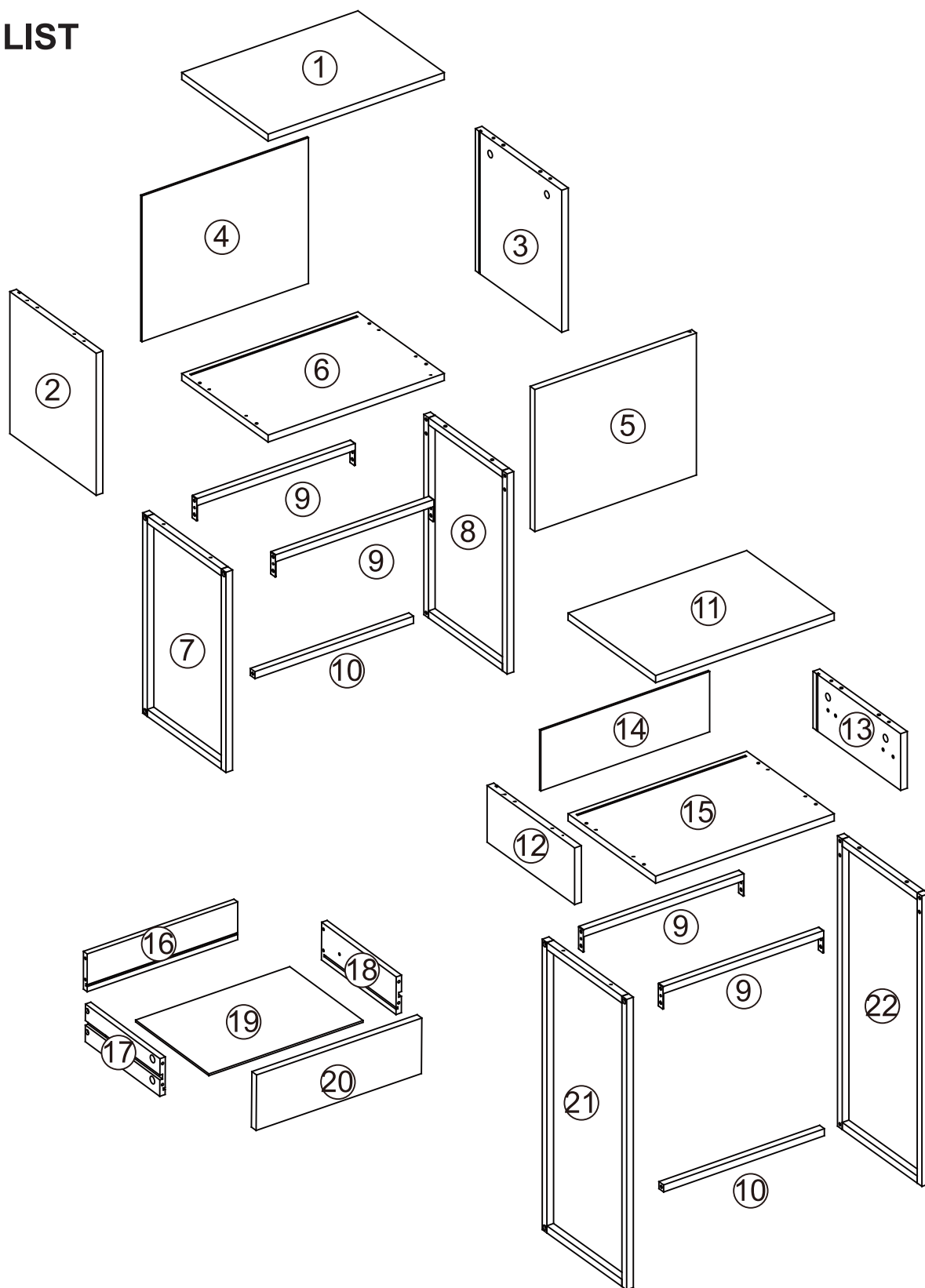
1 - 16

Made in China
Manufactured for Gill HK Limited BD4 9SW
www.gillhk.com

CONSOLE RANGE NARROW MINIMALIST SET OF 2

ITEM CODE: G-0582
Assembly Instruction

PART LIST



Max. Loading: 6kg each shelf

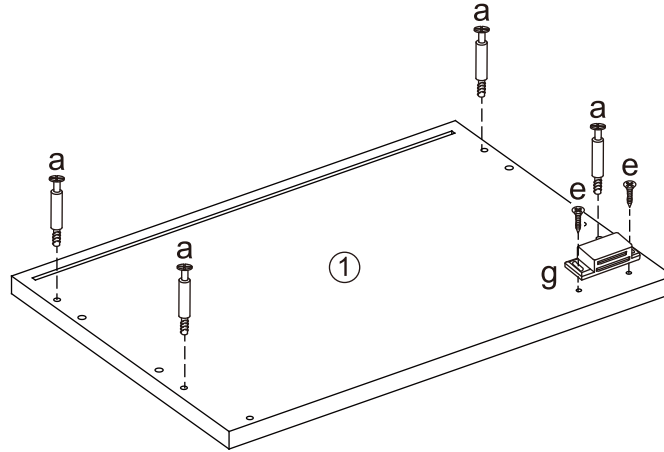
2 - 16

Made in China
Manufactured for Gill HK Limited BD4 9SW
www.gillhk.com

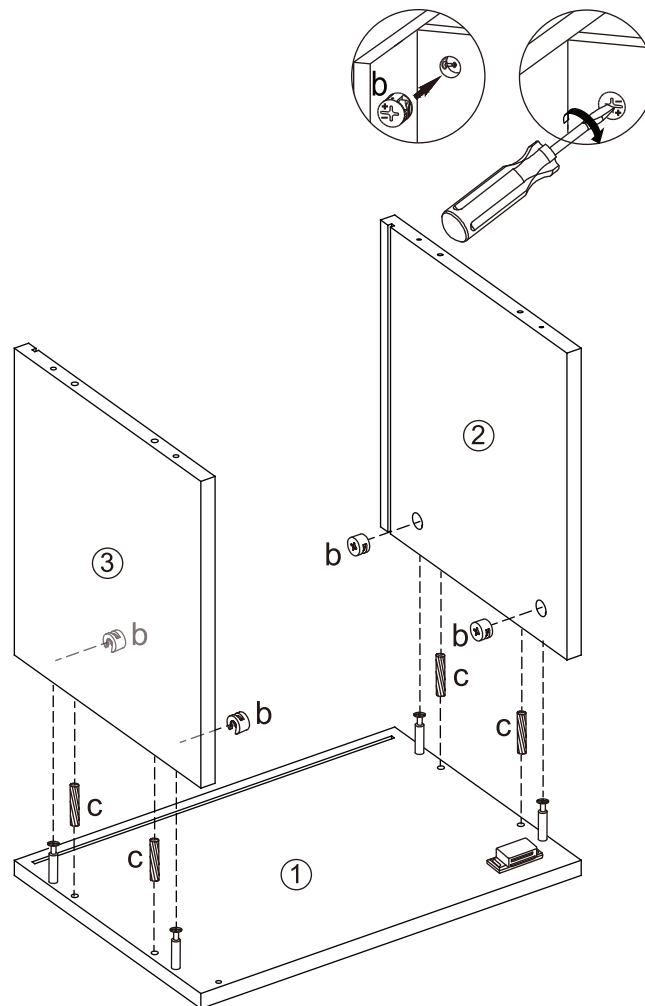
CONSOLE RANGE NARROW MINIMALIST SET OF 2

ITEM CODE: G-0582
Assembly Instruction

STEP 1



STEP 2






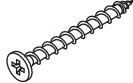

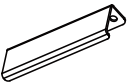
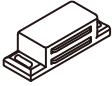





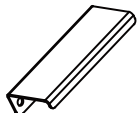
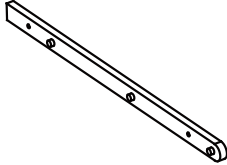


Max. Loading: 6kg each shelf

CONSOLE RANGE NARROW MINIMALIST SET OF 2

ITEM CODE: G-0582

Assembly Instruction

HARDWARE LIST

A	x 12	B	x 12	C	x 16	D	x 12	E	x 12
									
F	x 1	G	x 1	H	x 1	I	x 8	J	x 12
									
K	x 8	L	x 2	M	x 1	N	x 2	O	x 2
									
P	x 1								
									

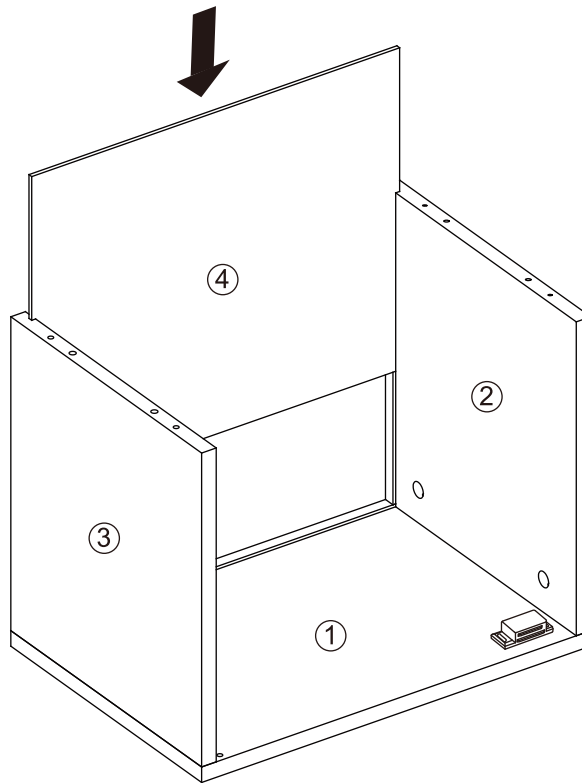
Max. Loading: 6kg each shelf

CONSOLE RANGE NARROW MINIMALIST SET OF 2

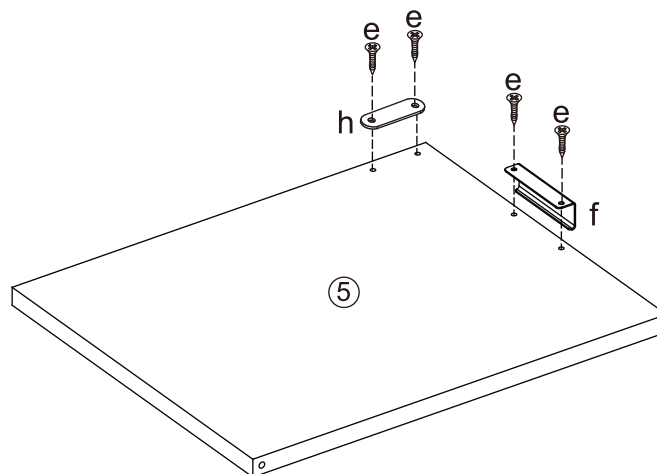
ITEM CODE: G-0582

Assembly Instruction

STEP 3



STEP 4

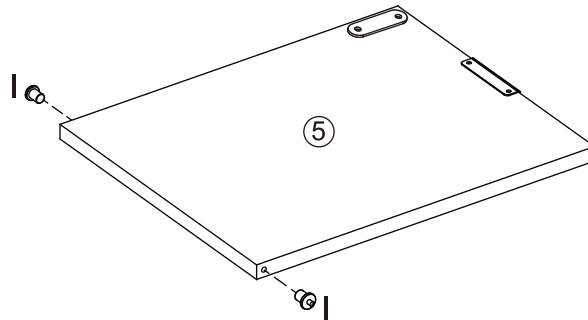
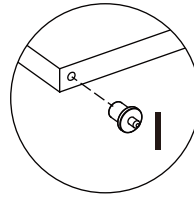


Max. Loading: 6kg each shelf

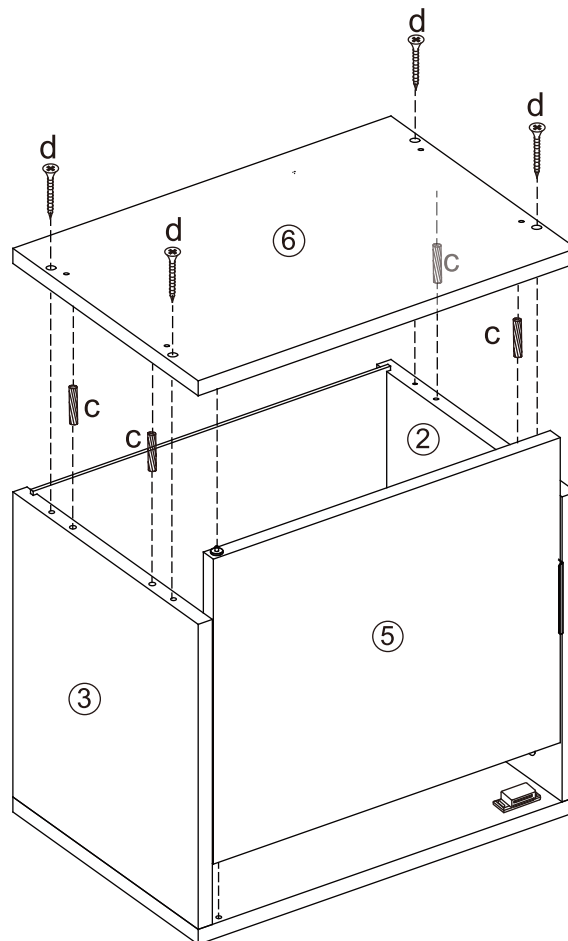
CONSOLE RANGE NARROW MINIMALIST SET OF 2

ITEM CODE: G-0582
Assembly Instruction

STEP 5



STEP 6



Max. Loading: 6kg each shelf

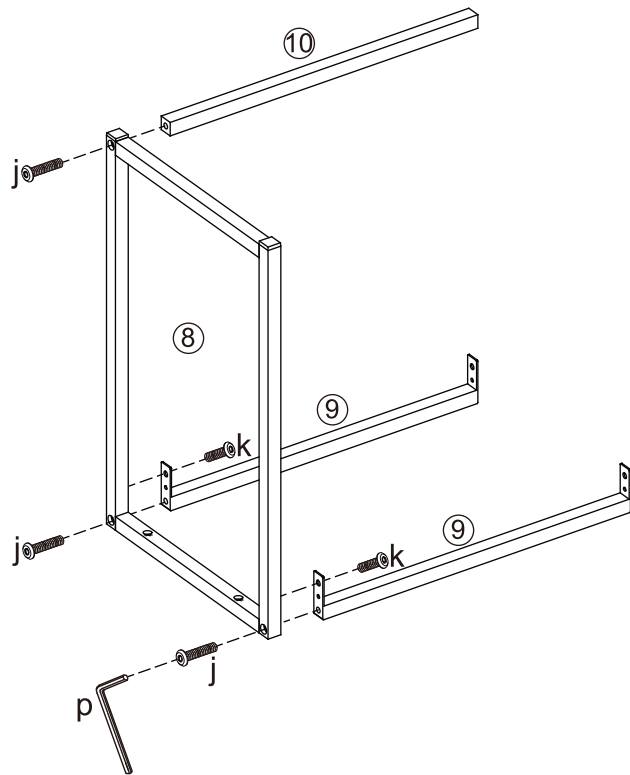
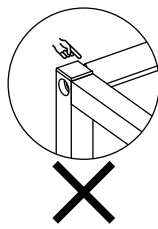
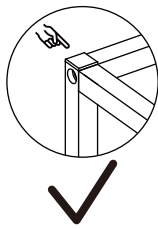
6 - 16

Made in China
Manufactured for Gill HK Limited BD4 9SW
www.gillhk.com

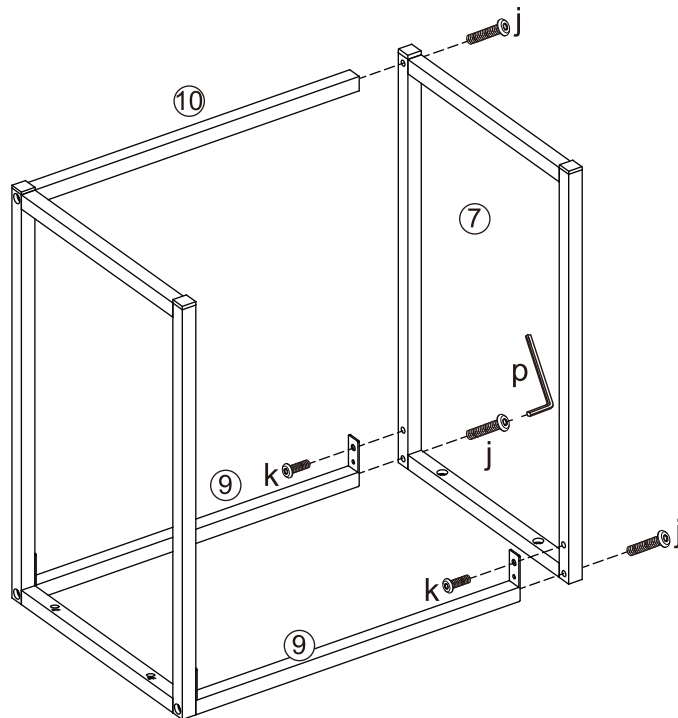
CONSOLE RANGE NARROW MINIMALIST SET OF 2

ITEM CODE: G-0582
Assembly Instruction

STEP 7



STEP 8



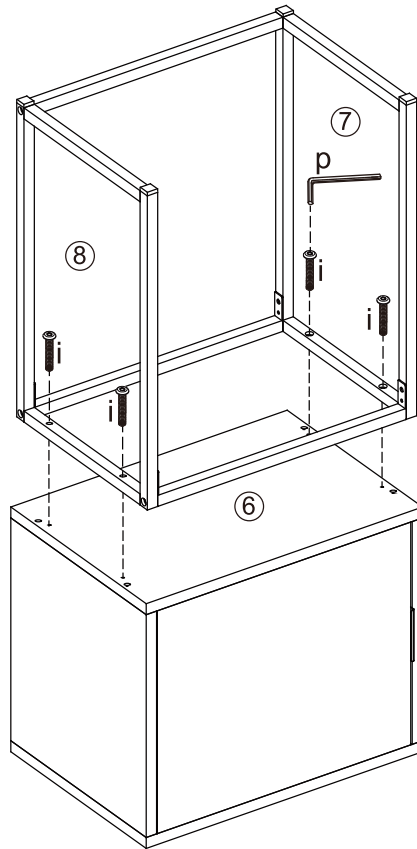
Max. Loading: 6kg each shelf

CONSOLE RANGE NARROW MINIMALIST SET OF 2

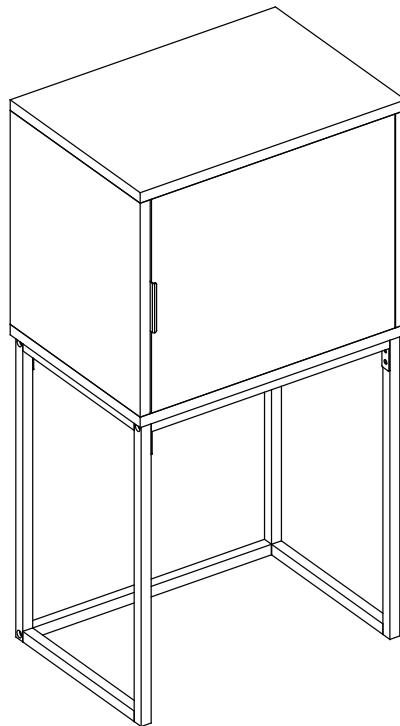
ITEM CODE: G-0582

Assembly Instruction

STEP 9



STEP 10



Max. Loading: 6kg each shelf

8 - 16

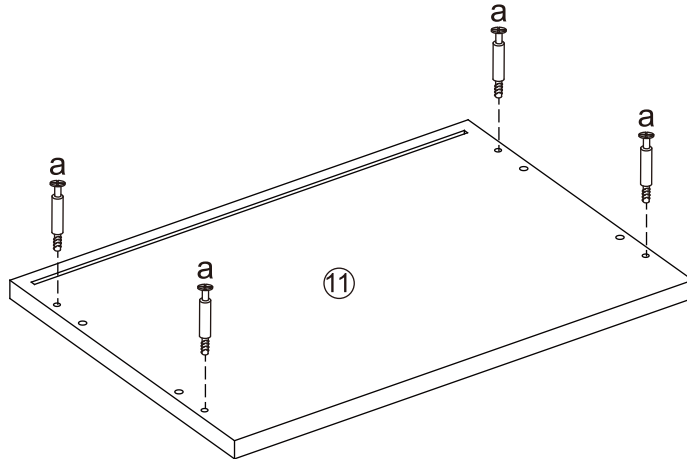
Made in China
Manufactured for Gill HK Limited BD4 9SW
www.gillhk.com

CONSOLE RANGE NARROW MINIMALIST SET OF 2

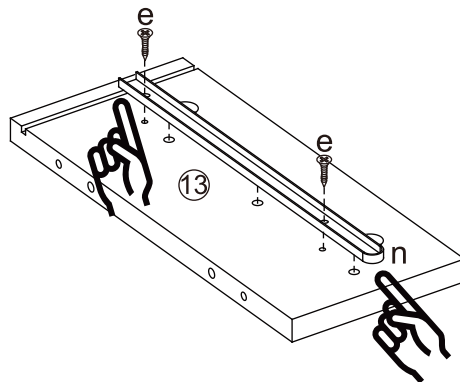
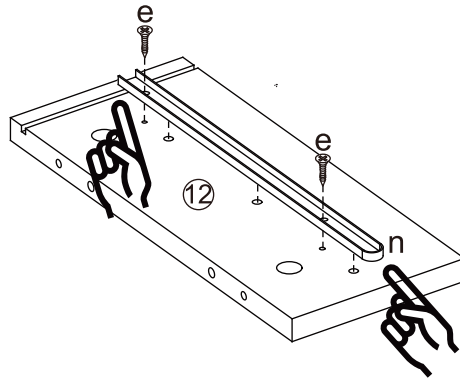
ITEM CODE: G-0582

Assembly Instruction

STEP 11



STEP 12



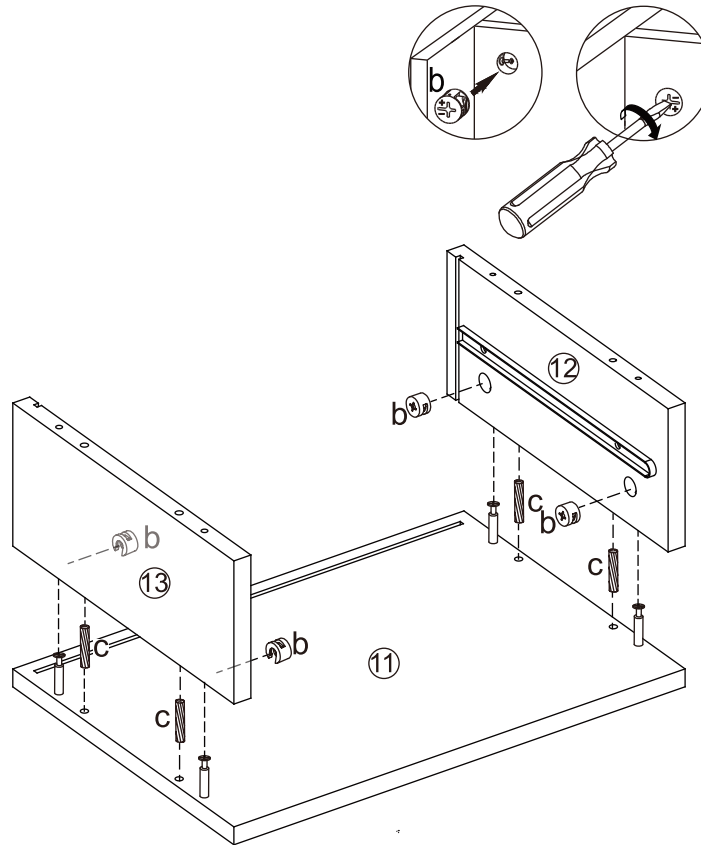
Max. Loading: 6kg each shelf

CONSOLE RANGE NARROW MINIMALIST SET OF 2

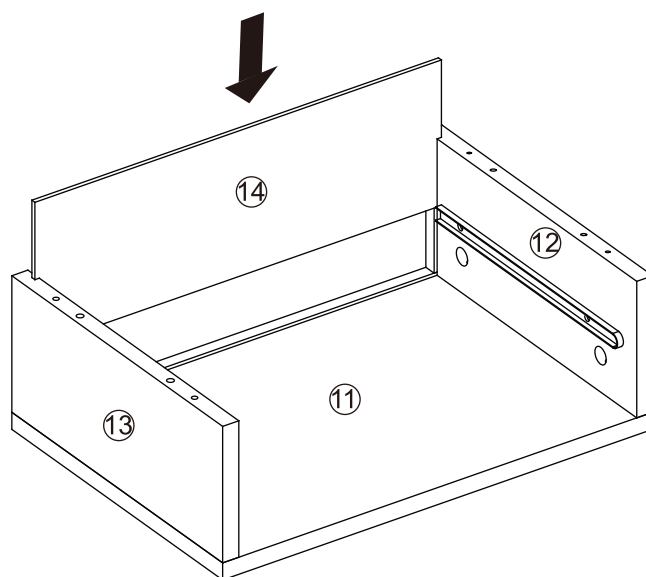
ITEM CODE: G-0582

Assembly Instruction

STEP 13



STEP 14



Max. Loading: 6kg each shelf

10 - 16

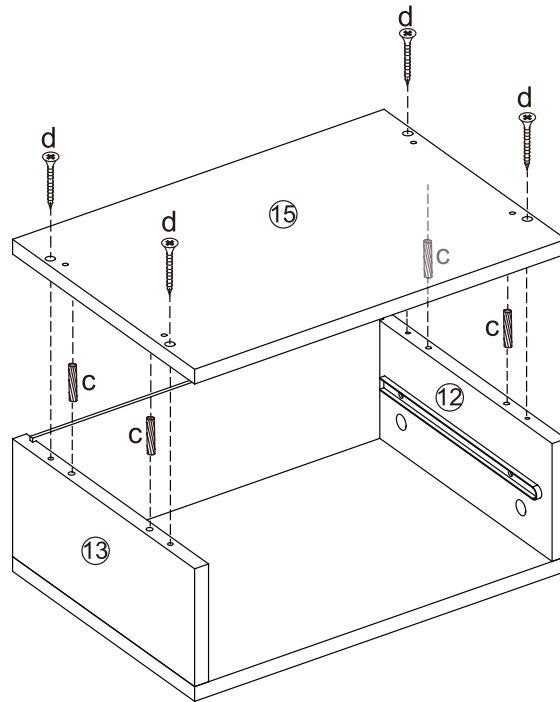
Made in China
Manufactured for Gill HK Limited BD4 9SW
www.gillhk.com

CONSOLE RANGE NARROW MINIMALIST SET OF 2

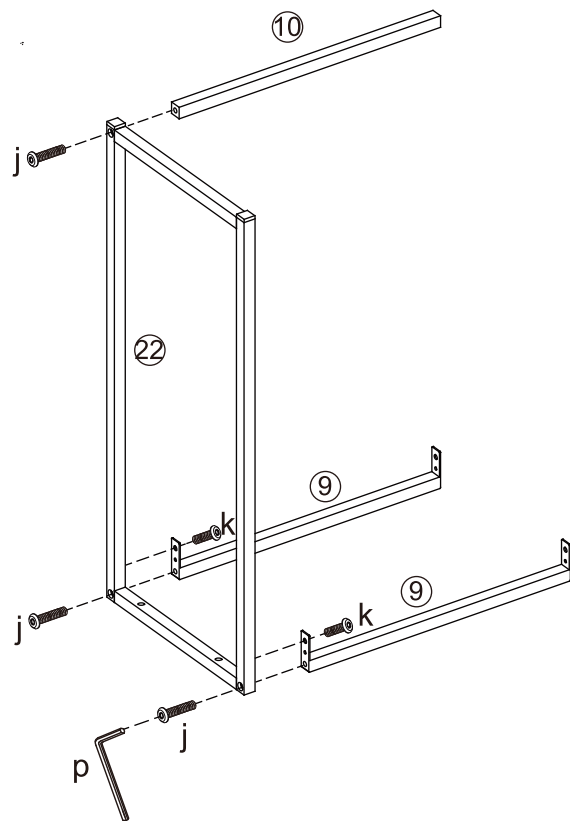
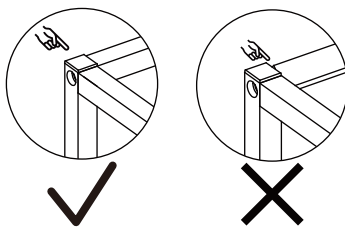
ITEM CODE: G-0582

Assembly Instruction

STEP 15



STEP 16



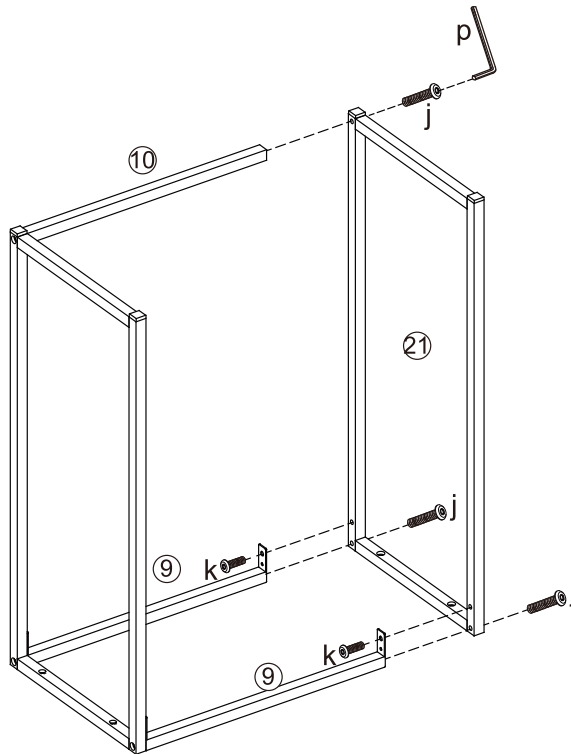
Max. Loading: 6kg each shelf

CONSOLE RANGE NARROW MINIMALIST SET OF 2

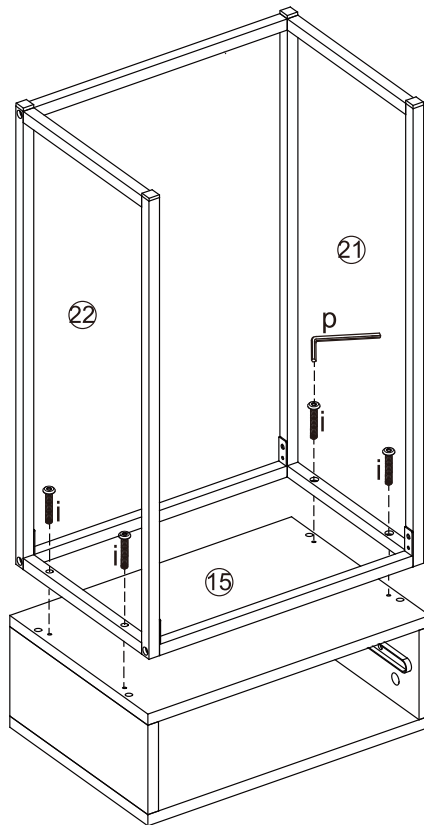
ITEM CODE: G-0582

Assembly Instruction

STEP 17



STEP 18



Max. Loading: 6kg each shelf

12 - 16

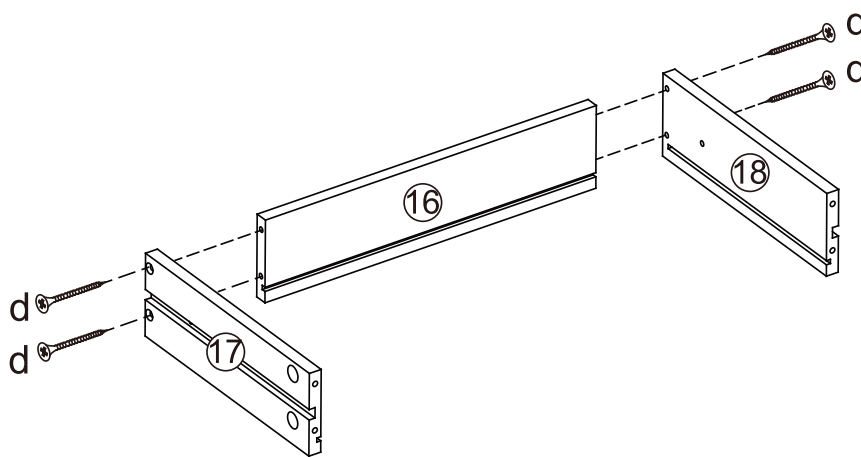
Made in China
Manufactured for Gill HK Limited BD4 9SW
www.gillhk.com

CONSOLE RANGE NARROW MINIMALIST SET OF 2

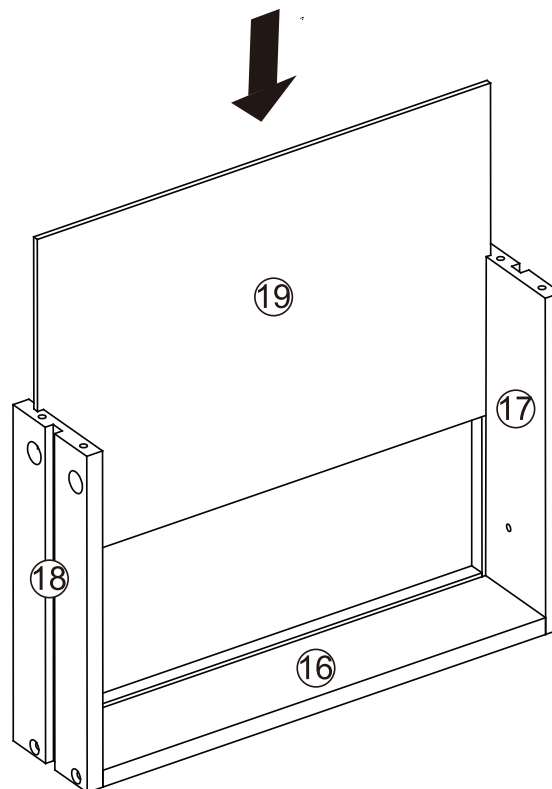
ITEM CODE: G-0582

Assembly Instruction

STEP 19



STEP 20



Max. Loading: 6kg each shelf

13 - 16

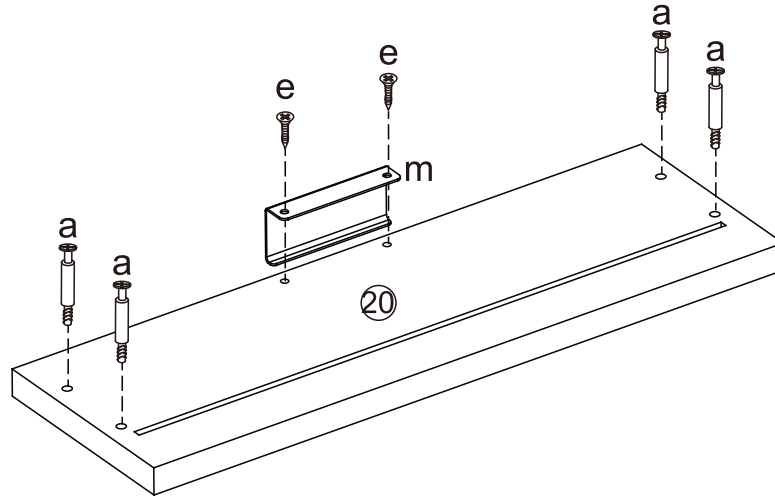
Made in China
Manufactured for Gill HK Limited BD4 9SW
www.gillhk.com

CONSOLE RANGE NARROW MINIMALIST SET OF 2

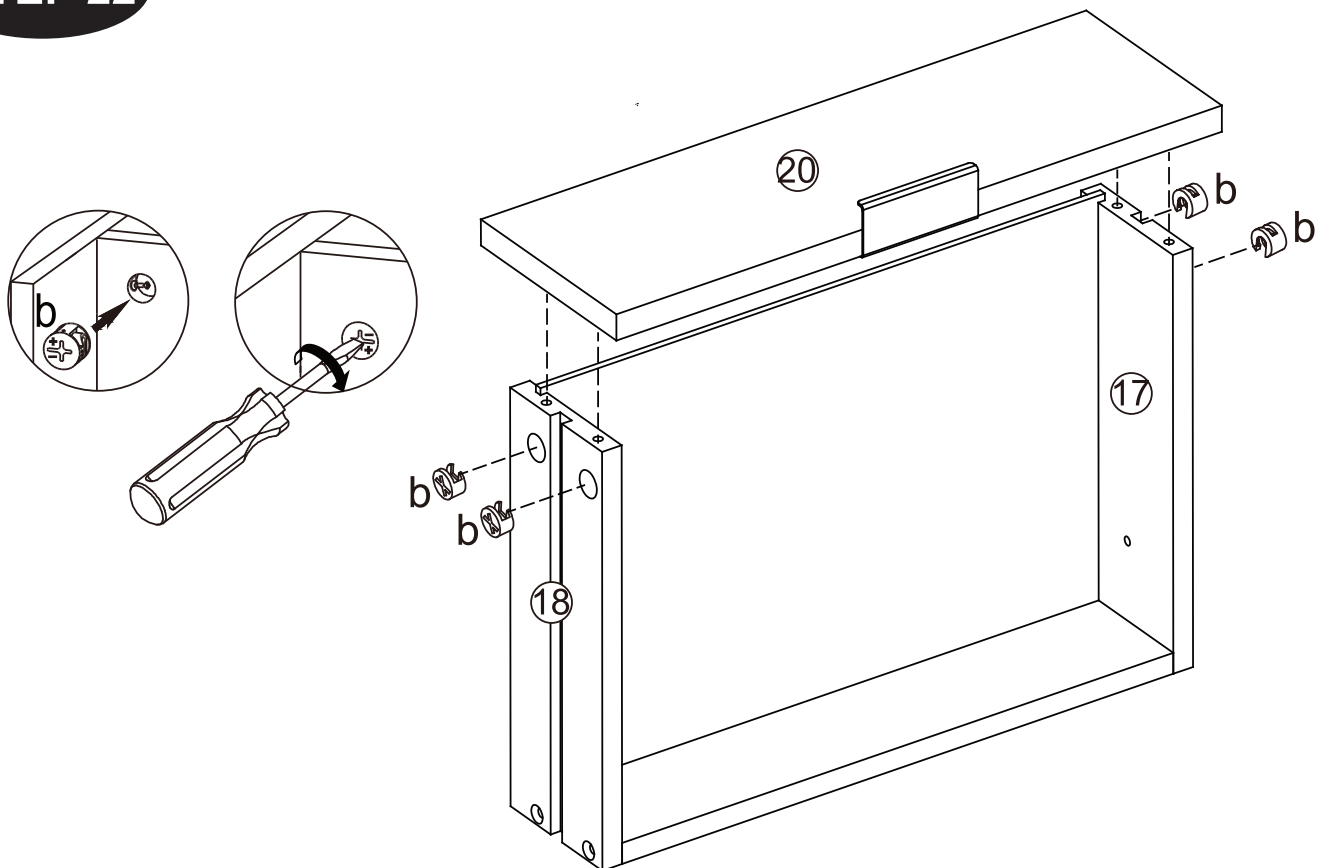
ITEM CODE: G-0582

Assembly Instruction

STEP 21



STEP 22



Max. Loading: 6kg each shelf

14 - 16

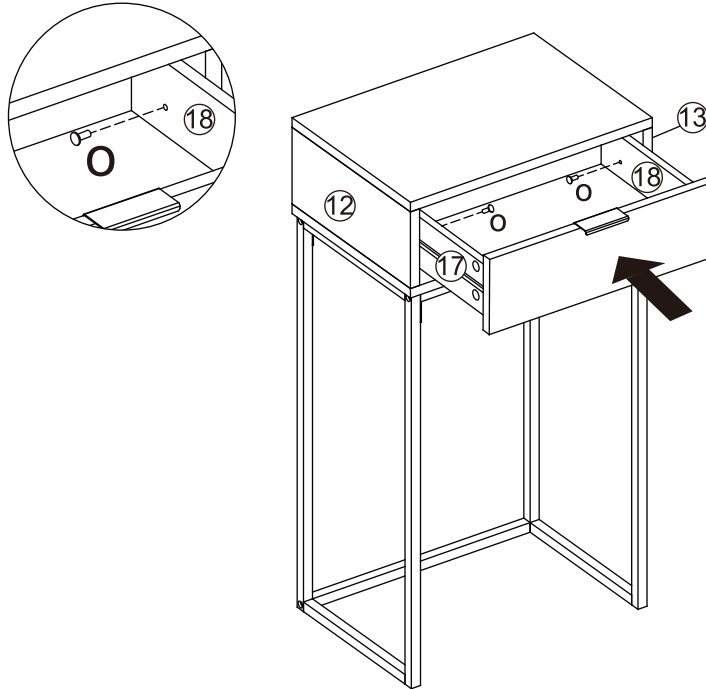
Made in China
Manufactured for Gill HK Limited BD4 9SW
www.gillhk.com

CONSOLE RANGE NARROW MINIMALIST SET OF 2

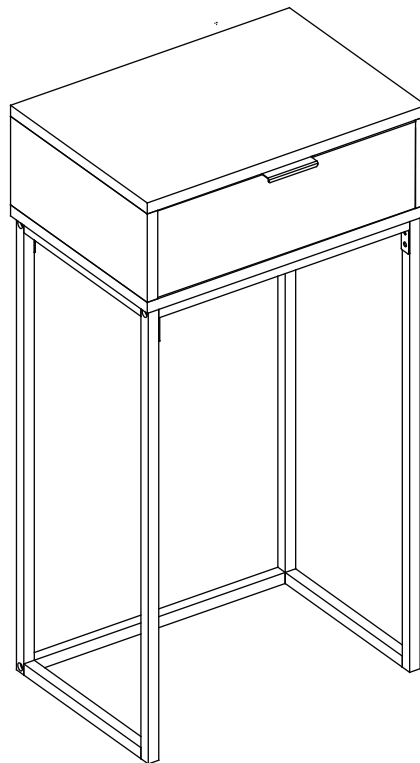
ITEM CODE: G-0582

Assembly Instruction

STEP 23



STEP 24



Max. Loading: 6kg each shelf

15 - 16

Made in China
Manufactured for Gill HK Limited BD4 9SW
www.gillhk.com

CONSOLE RANGE NARROW MINIMALIST SET OF 2

ITEM CODE: G-0582

Assembly Instruction



Safety Advice and Care Advice

KEEP ALL THE SAFETY ADVICE AND INSTRUCTIONS IN A SAFE PLACE FOR FUTURE REFERENCE!

⚠ WARNING! RISK OF LOSS OF LIFE OR ACCIDENT

TO INFANTS AND CHILDREN! Never leave children unsupervised with the packaging materials. Danger of suffocation.

⚠ CAUTION! RISK OF INJURY! Make sure that all parts are undamaged and assembled correctly. Improper assembly carries a risk of injury. Damaged parts may affect the safety and function of the product.

- Make sure that this product is standing on a solid, level surface.

⚠ CAUTION! Do not leave children unsupervised! The product is not a climbing frame or a toy! Make sure that nobody, especially a child, climbs on or leans against the product.

- Distribute weight evenly across the product so that it cannot overturn.
- Do not load more than a total of 6kg (each shelf) onto the product, otherwise there is a risk of injury and/or damage to the product.
- Check that the product is stable before using it.
- Do not lift or move the product when it is loaded.
- Keep away from fire and inflammable objects.
- **Wipe clean with a damp cloth.**
- Make sure that all screws and fixings are secure before use.
- Do not place very hot or very cold items on the surface(s) unless adequately thick table mats are used.
- Please periodically check all fittings and re-tighten as necessary.
- Domestic use only.