

SAXONY

3 DRAWER DEEP CHEST UNIT

ITEM CODE: G-0586
Assembly Instruction

1.0hr

APPROXIMATE ASSEMBLY TIME

2 PEOPLE ASSEMBLY

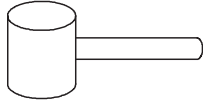


FLOOR AREA
1Mx1M

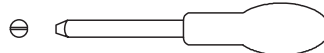


REQUIRED ASSEMBLY SPACE

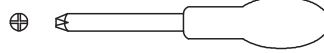
REQUIRED ASSEMBLY TOOLS



SOFT RUBBER HAMMER(NOT PROVIDED)



SLOTTED SCREWDRIVER(NOT PROVIDED)

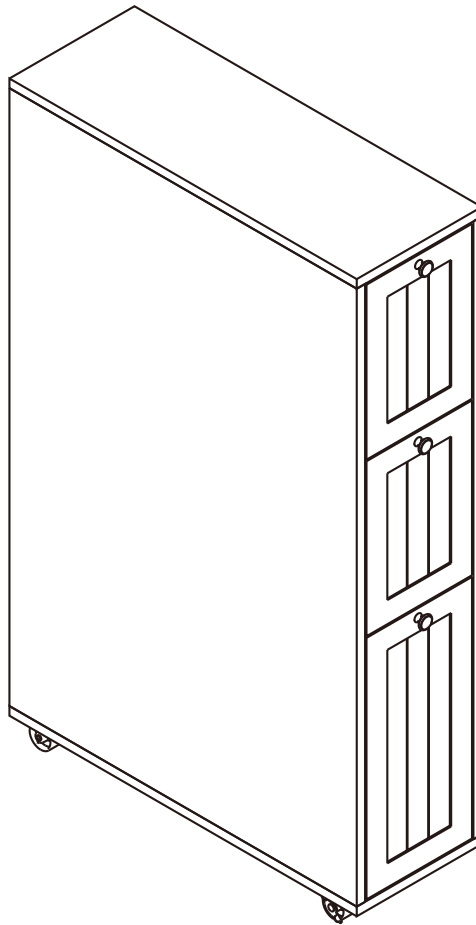


POZI SCREWDRIVER(NOT PROVIDED)



MEASURING TAPE(NOT PROVIDED)

ASSEMBLED DIMENSIONS



Max. Loading: 10kg

1 - 16

Made in China
Manufactured for Gill HK Limited BD4 9SW
www.gillhk.com

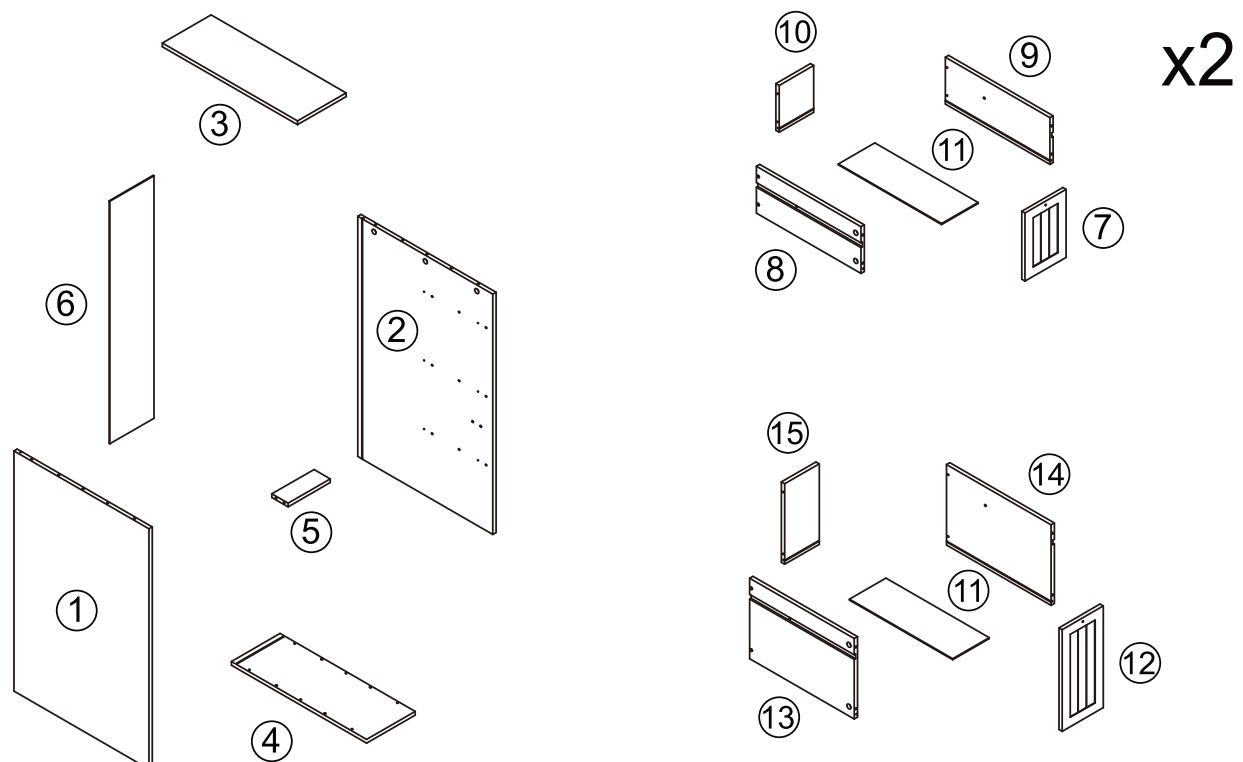
3 DRAWER DEEP CHEST UNIT

ITEM CODE: G-0586

Assembly Instruction

PART LIST

① 1 PC	② 1 PC	③ 1 PC
④ 1 PC	⑤ 1 PC	⑥ 1 PC
⑦ 2 PCS	⑧ 2 PCS	⑨ 2 PCS
⑩ 2 PCS	⑪ 3 PCS	⑫ 1 PC
⑬ 1 PC	⑭ 1 PC	⑮ 1 PC



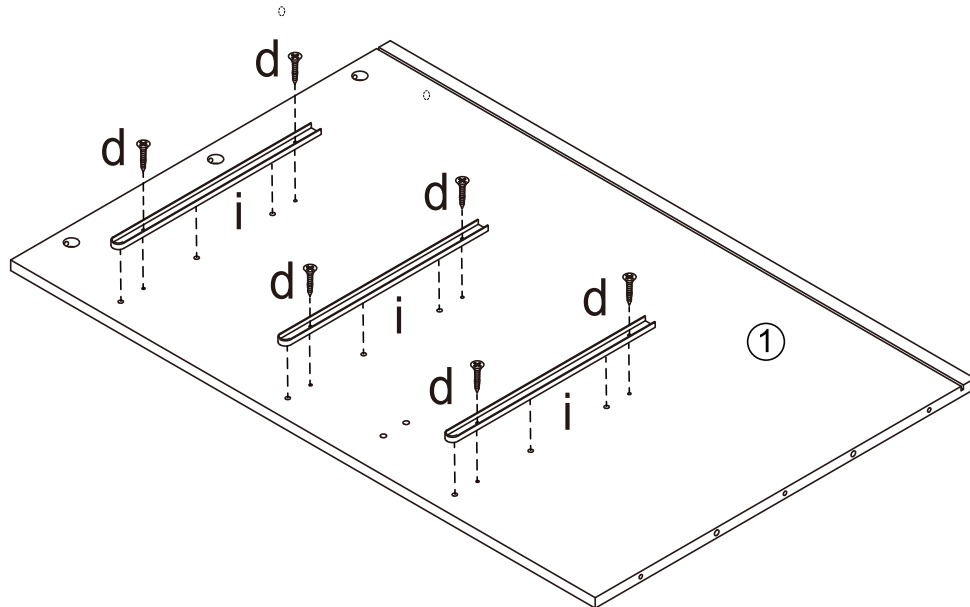
Max. Loading: 10kg

3 DRAWER DEEP CHEST UNIT

ITEM CODE: G-0586

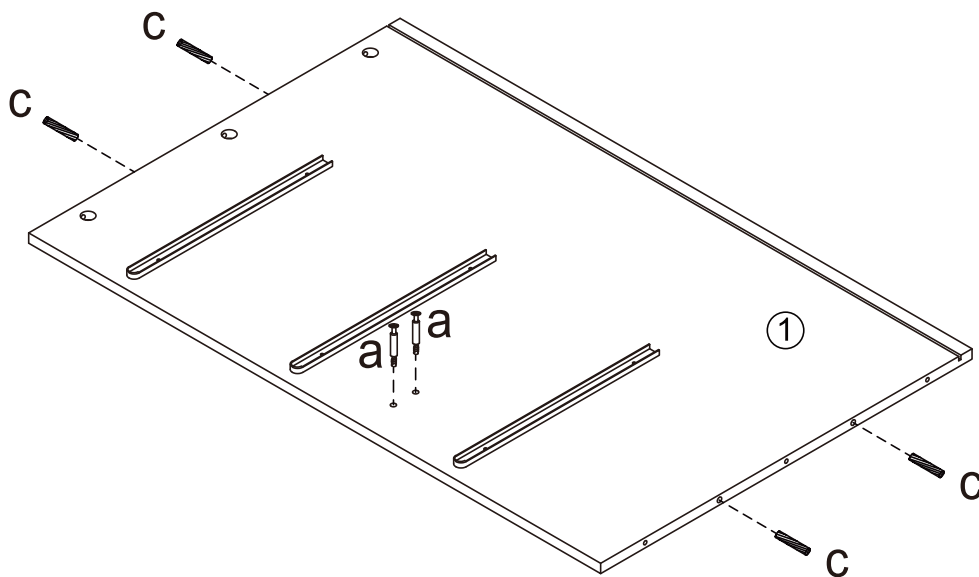
Assembly Instruction

STEP 1

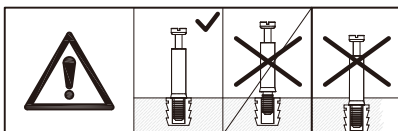


 X6  X3

STEP 2



 X2  X4



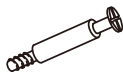







Max. Loading: 10kg







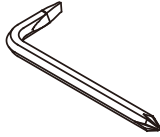
3 DRAWER DEEP CHEST UNIT

ITEM CODE: G-0586

Assembly Instruction

HARDWARE LIST

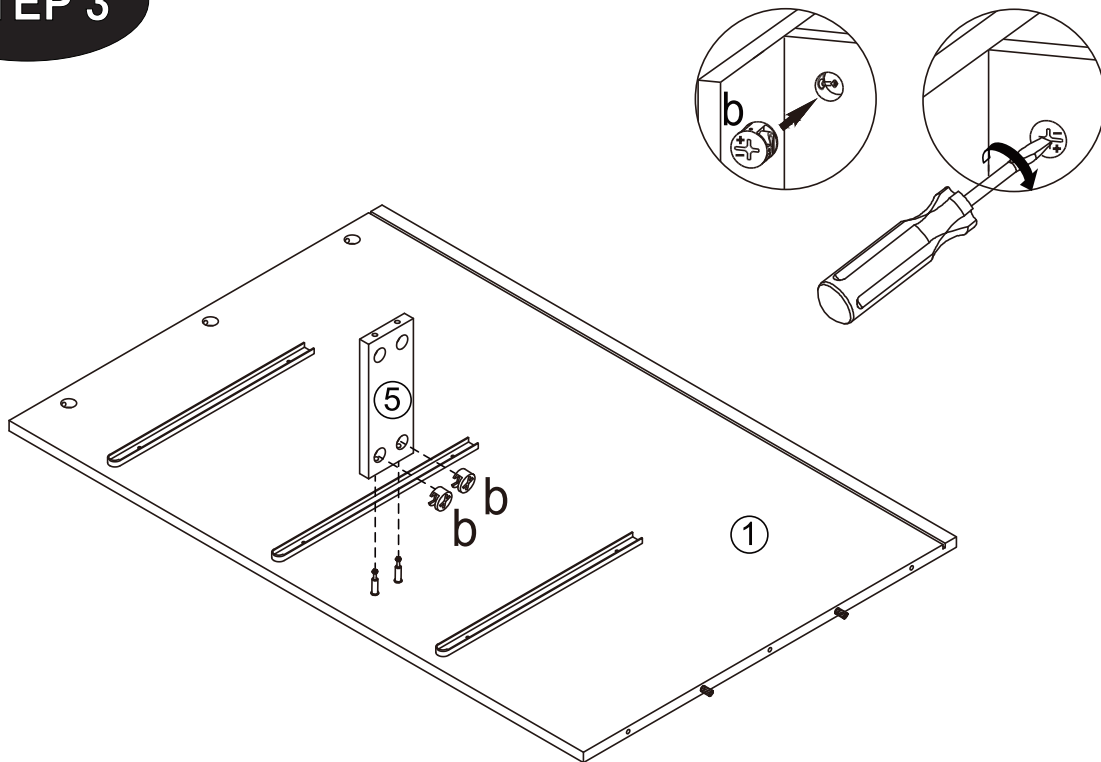
	a		22PCS
	b		22PCS
	c	6X30mm	8PCS
	d	3X12mm	12PCS
	e	3X14mm	6PCS
	f	4X30mm	18PCS
	g	4X16mm	3PCS
	h		3PCS

	i		6PCS
	j		6PCS
	k		2PCS
	l		2PCS
	m	4X12mm	16PCS
	n		6PCS
	o		1PC

3 DRAWER DEEP CHEST UNIT

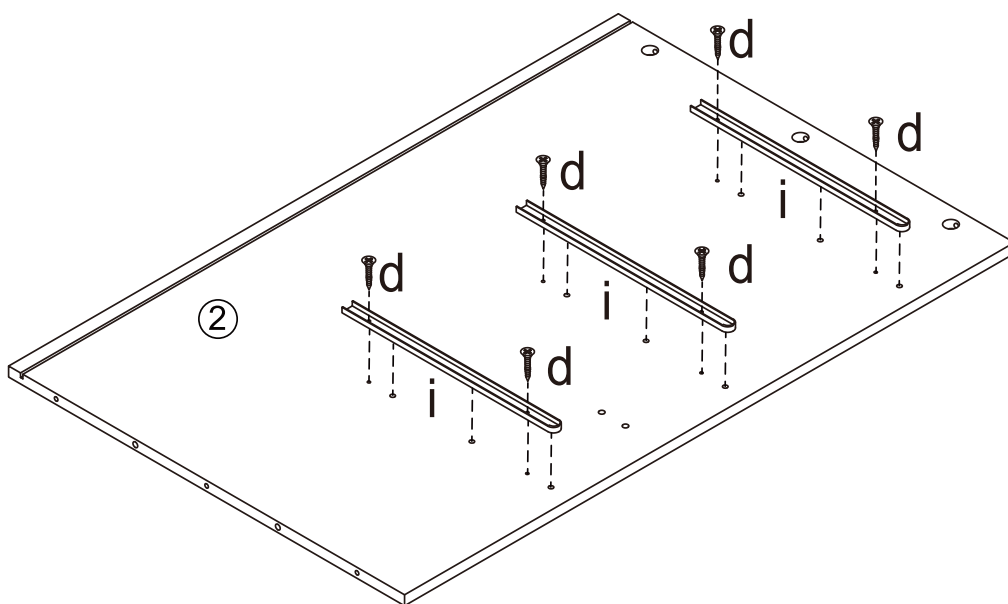
ITEM CODE: G-0586
Assembly Instruction

STEP 3



 X2

STEP 4



 X6  X3

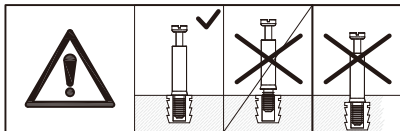
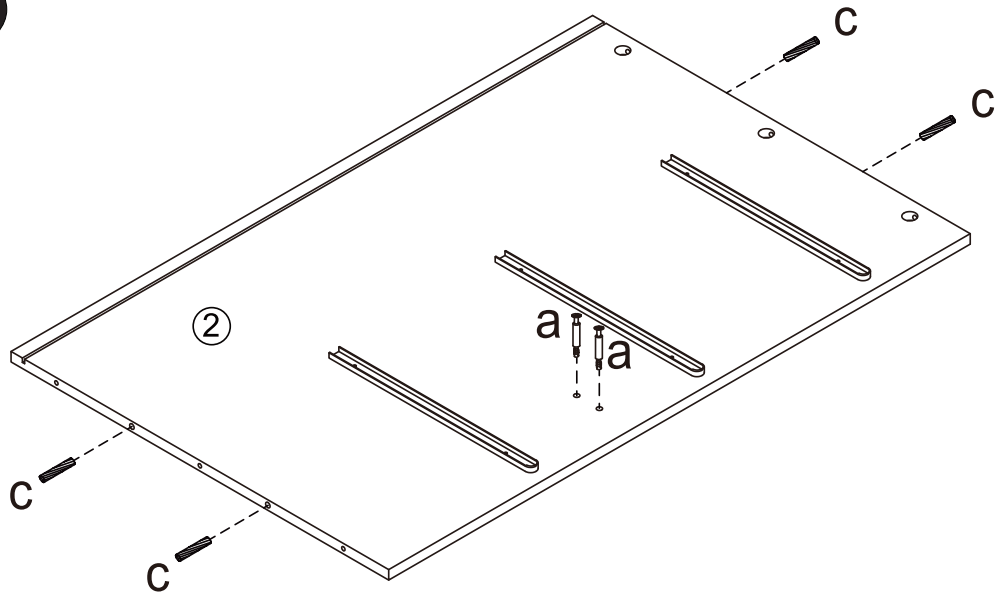
Max. Loading: 10kg

3 DRAWER DEEP CHEST UNIT

ITEM CODE: G-0586

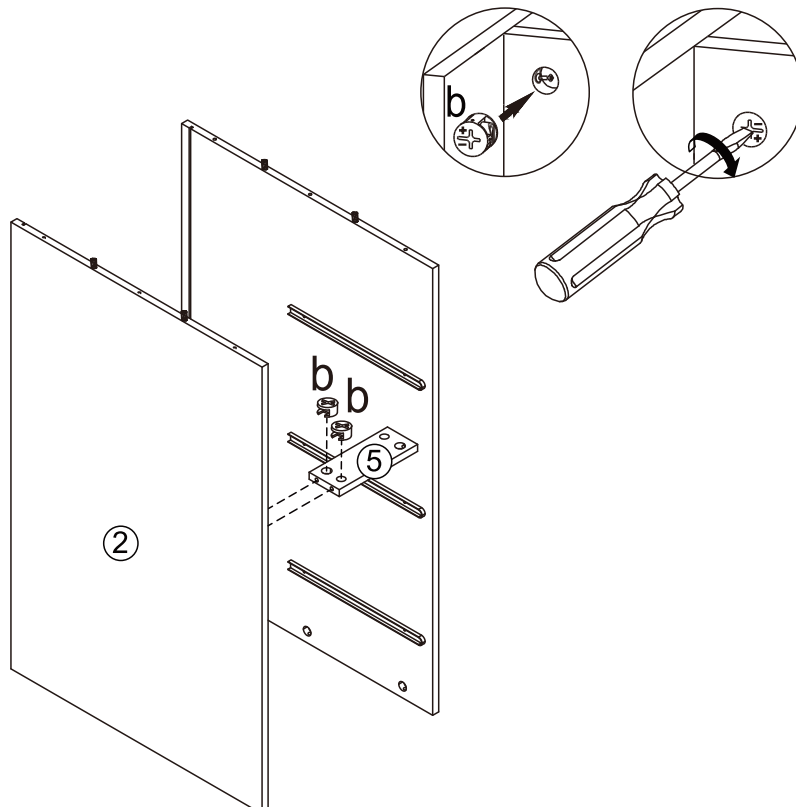
Assembly Instruction

STEP 5



 X2  X4

STEP 6



 X2

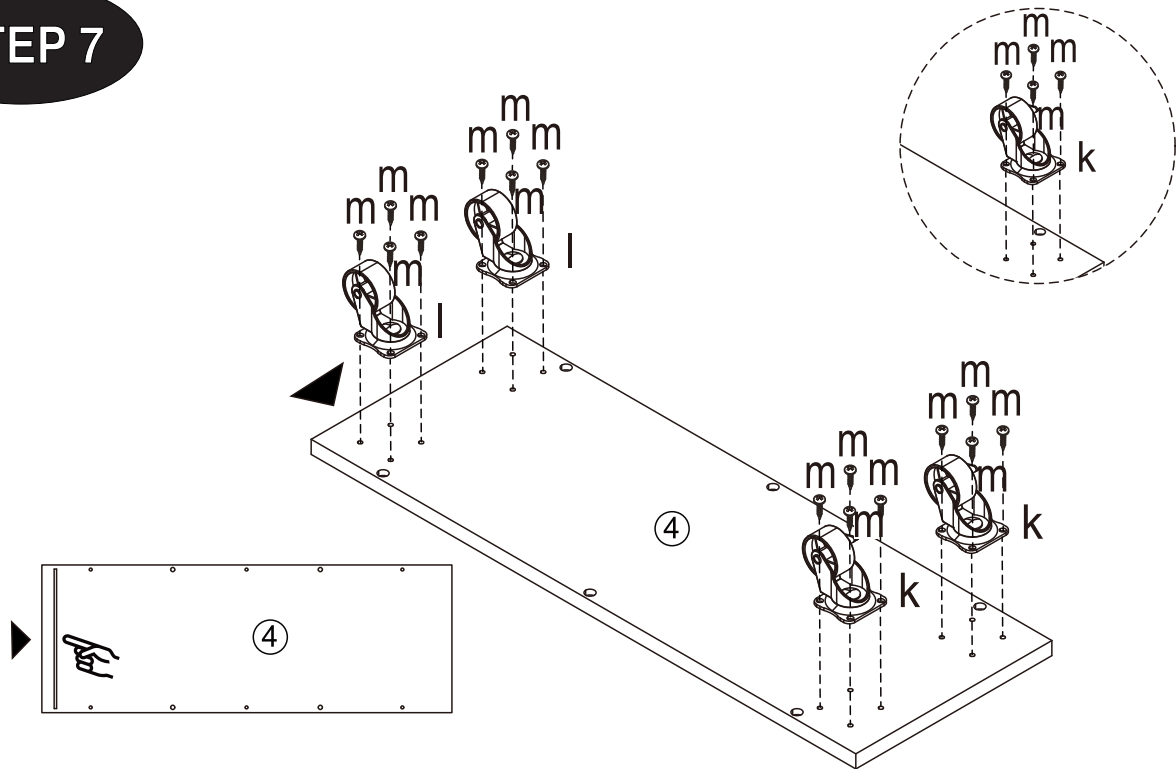
Max. Loading: 10kg

3 DRAWER DEEP CHEST UNIT

ITEM CODE: G-0586

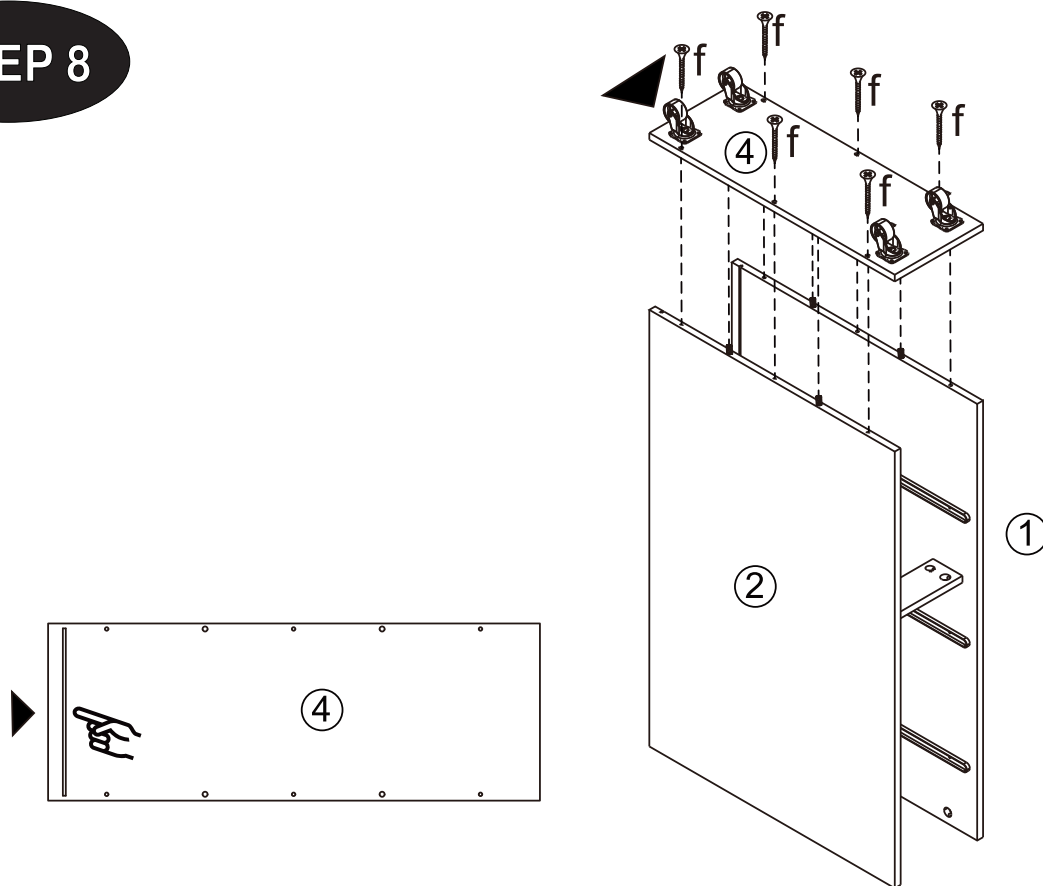
Assembly Instruction

STEP 7



 X2  X2  X16

STEP 8



 X6

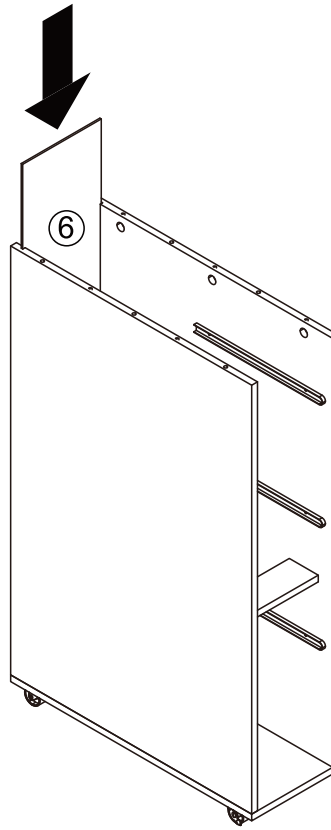
Max. Loading: 10kg

3 DRAWER DEEP CHEST UNIT

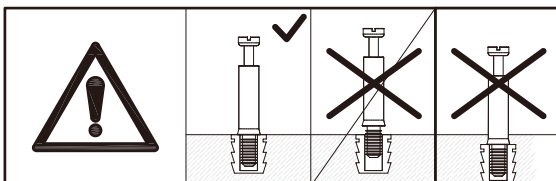
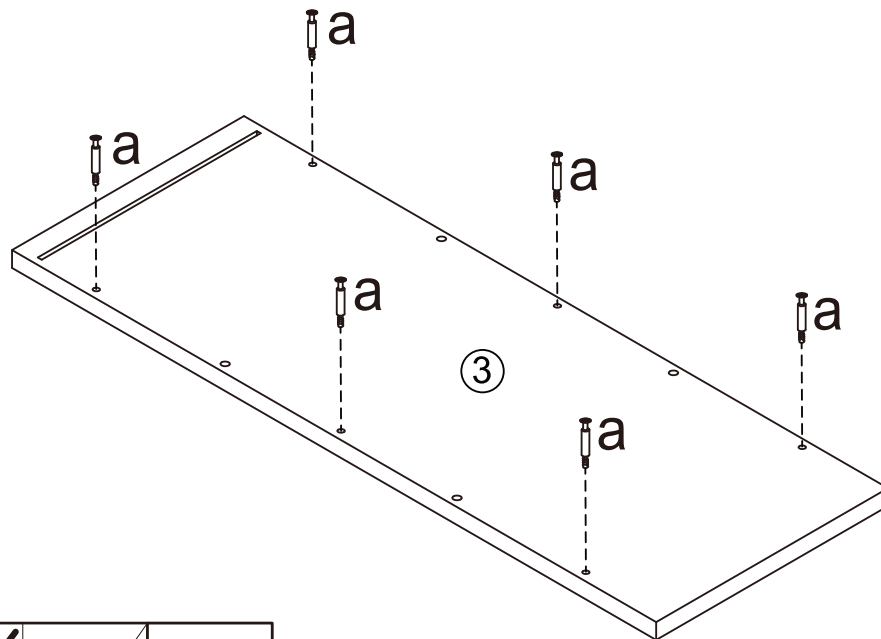
ITEM CODE: G-0586

Assembly Instruction

STEP 9



STEP 10



 X6

Max. Loading: 10kg

8 - 16

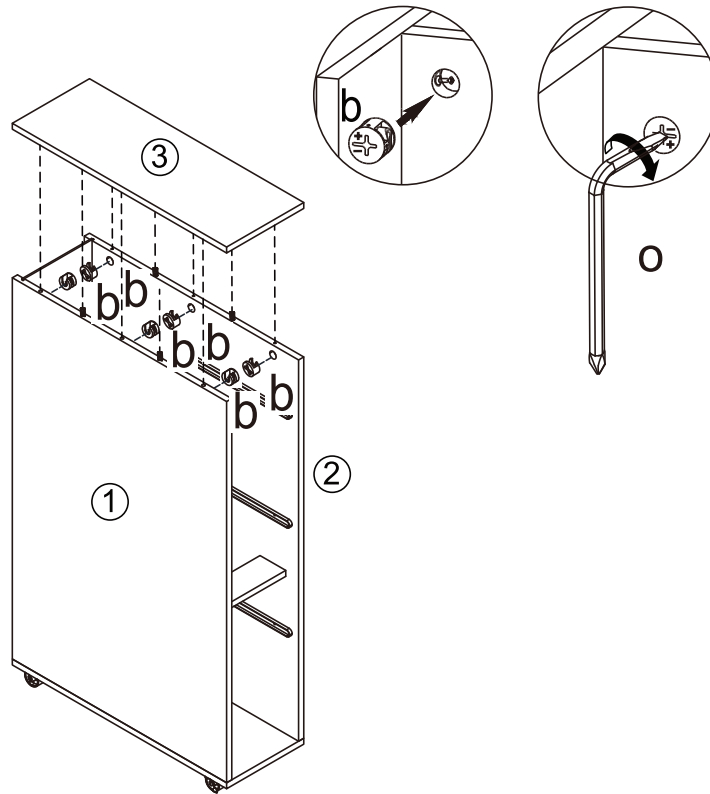
Made in China
Manufactured for Gill HK Limited BD4 9SW
www.gillhk.com

3 DRAWER DEEP CHEST UNIT

ITEM CODE: G-0586

Assembly Instruction

STEP 11

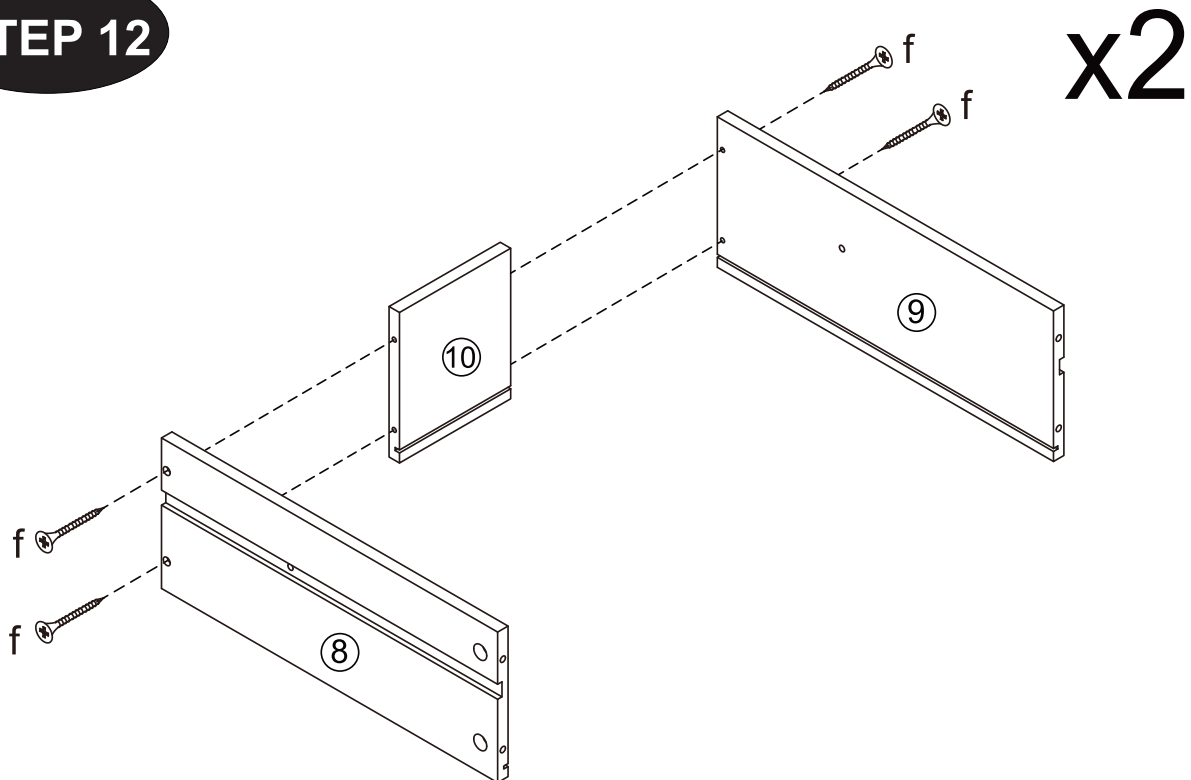


X6



X1

STEP 12



X8

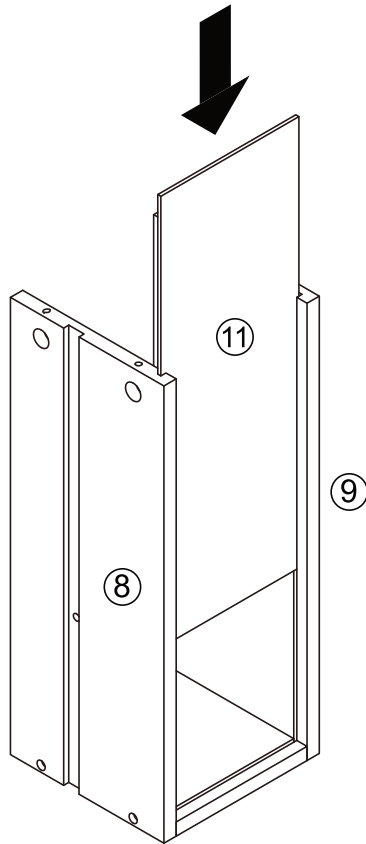
Max. Loading: 10kg

3 DRAWER DEEP CHEST UNIT

ITEM CODE: G-0586

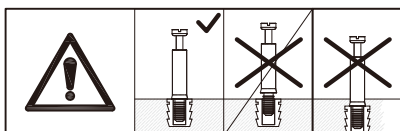
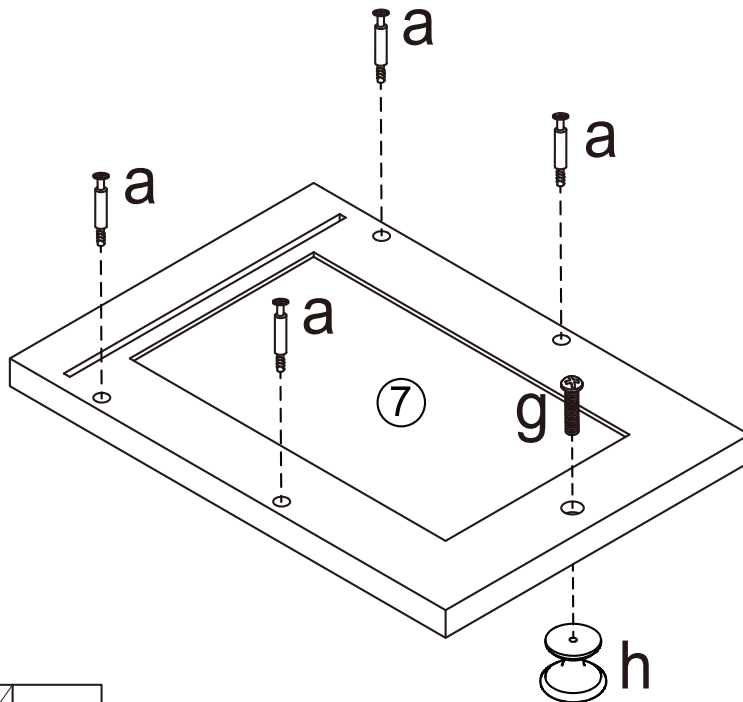
Assembly Instruction

STEP 13



x2

STEP 14



 X8  X2  X2

Max. Loading: 10kg

10 - 16

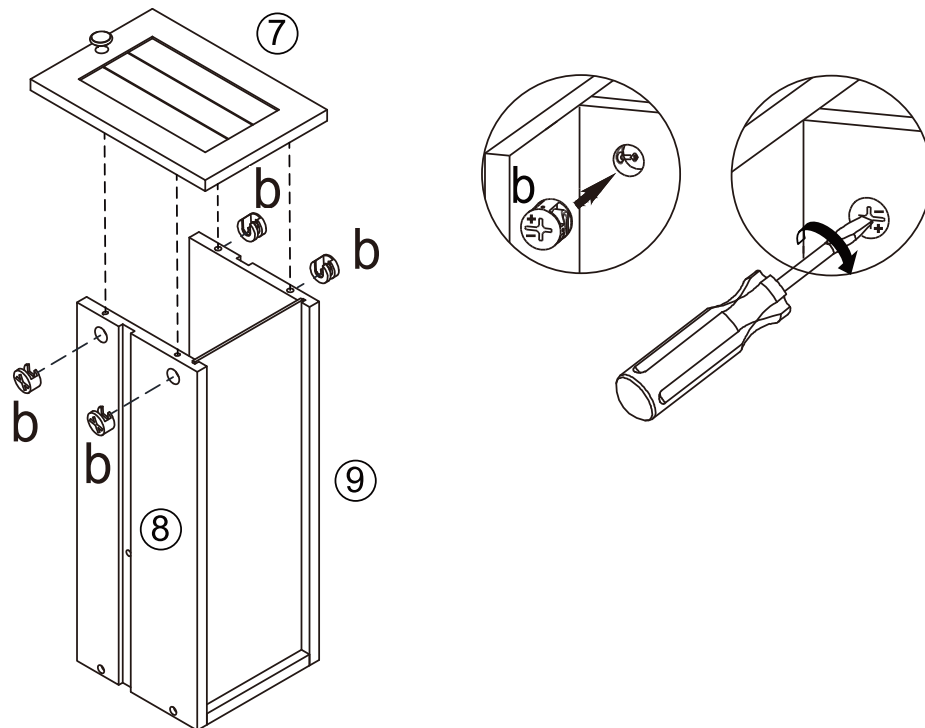
Made in China
Manufactured for Gill HK Limited BD4 9SW
www.gillhk.com

3 DRAWER DEEP CHEST UNIT

ITEM CODE: G-0586

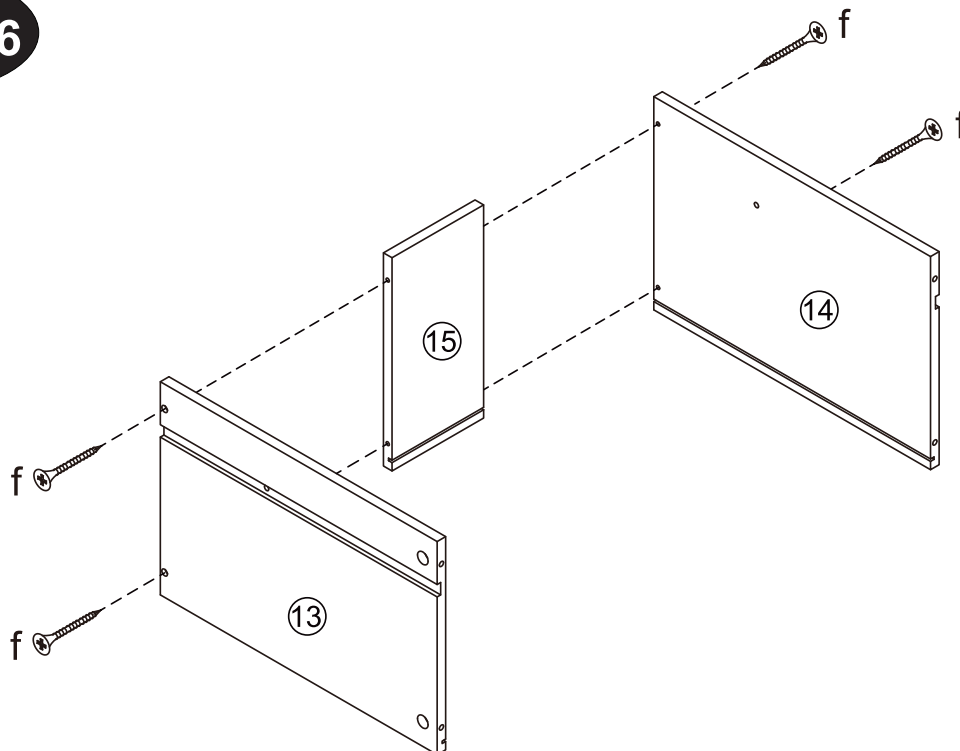
Assembly Instruction

STEP 15



 X8

STEP 16



 X4

Max. Loading: 10kg

11 - 16

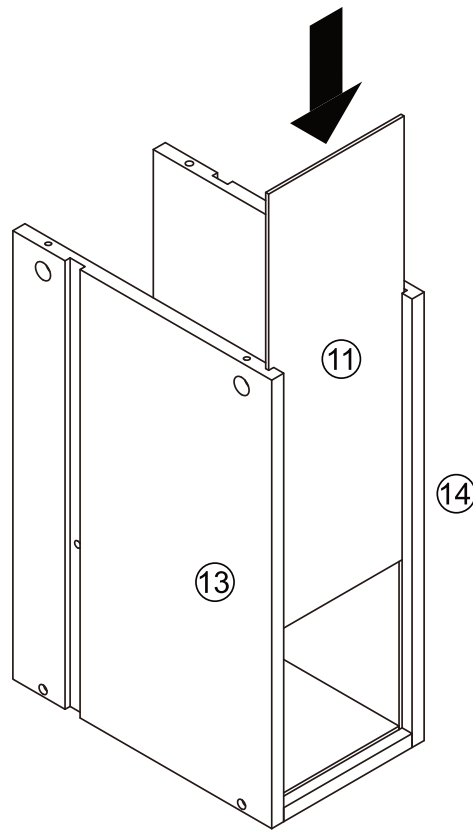
Made in China
Manufactured for Gill HK Limited BD4 9SW
www.gillhk.com

3 DRAWER DEEP CHEST UNIT

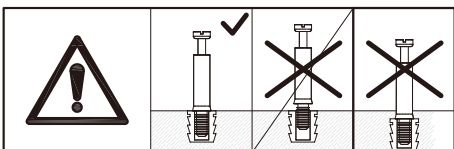
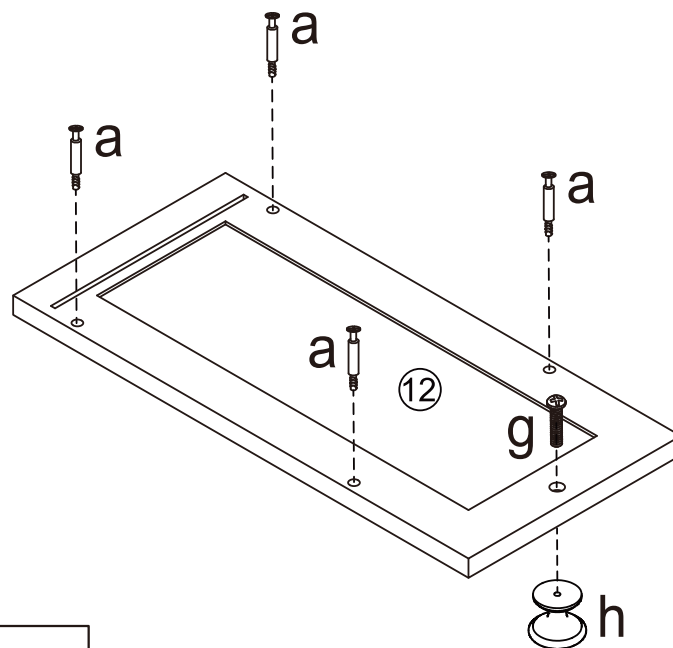
ITEM CODE: G-0586

Assembly Instruction

STEP 17



STEP 18



Max. Loading: 10kg

12 - 16

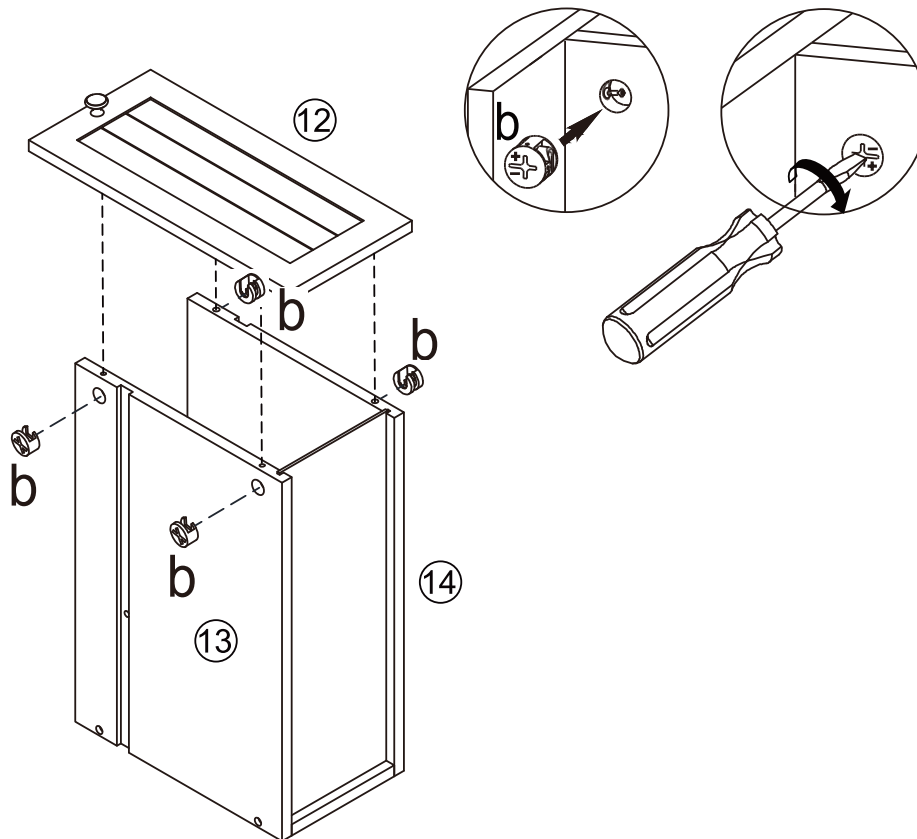
Made in China
Manufactured for Gill HK Limited BD4 9SW
www.gillhk.com

3 DRAWER DEEP CHEST UNIT

ITEM CODE: G-0586

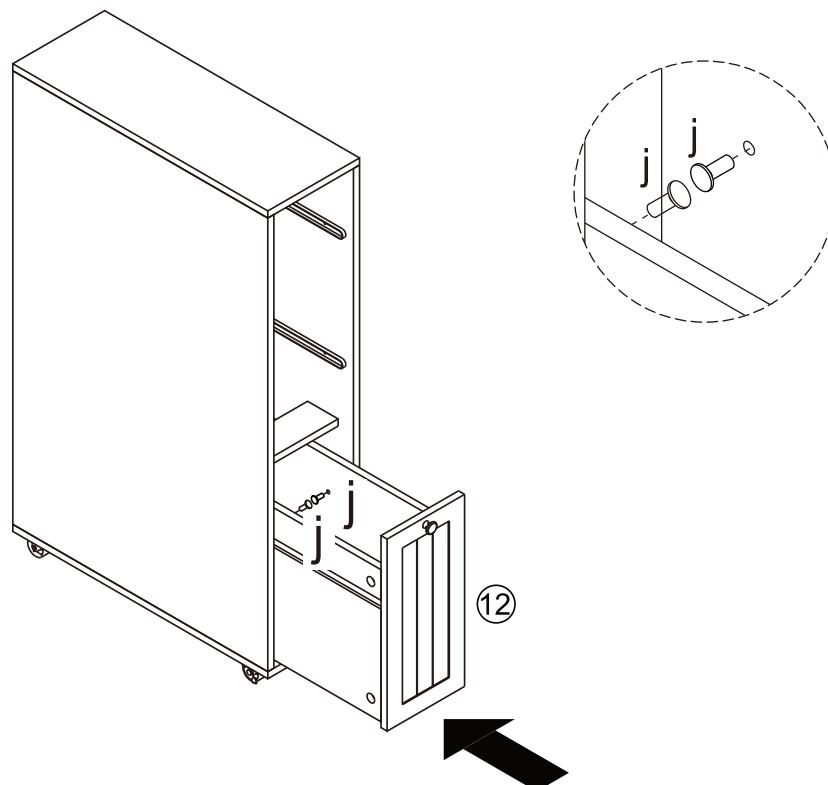
Assembly Instruction

STEP 19



 X4

STEP 20



 X2

Max. Loading: 10kg

13 - 16

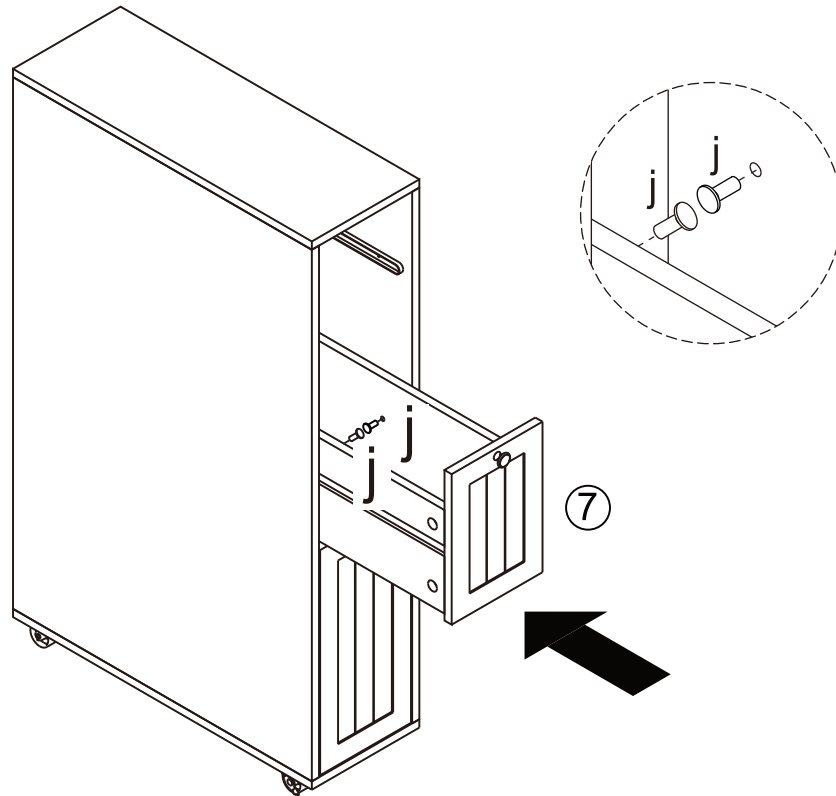
Made in China
Manufactured for Gill HK Limited BD4 9SW
www.gillhk.com


3 DRAWER DEEP CHEST UNIT

ITEM CODE: G-0586

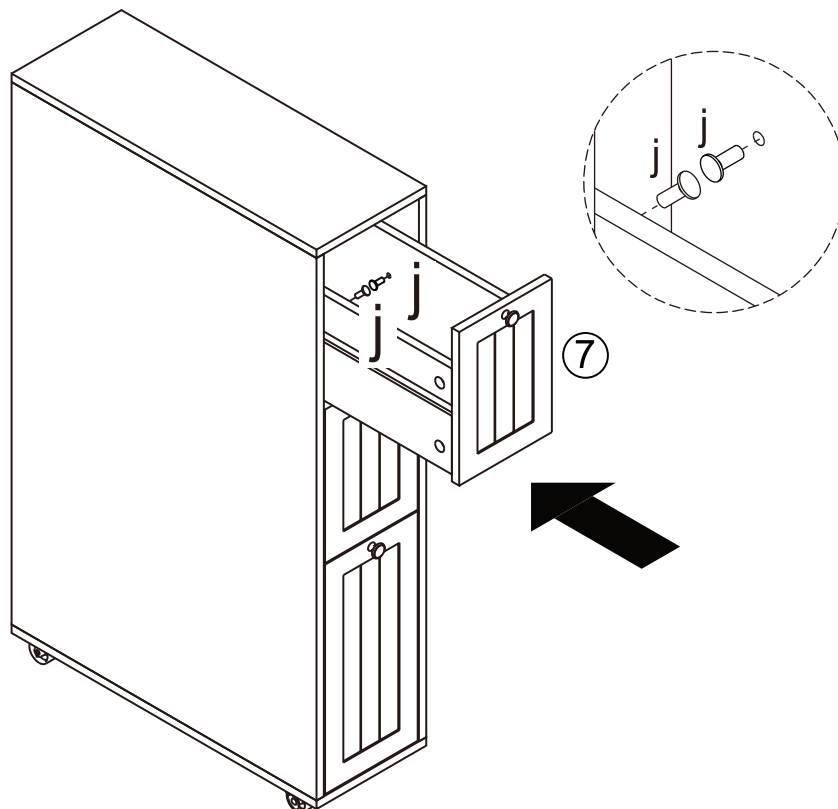
Assembly Instruction

STEP 21



 X2

STEP 22



 X2

Max. Loading: 10kg

14 - 16

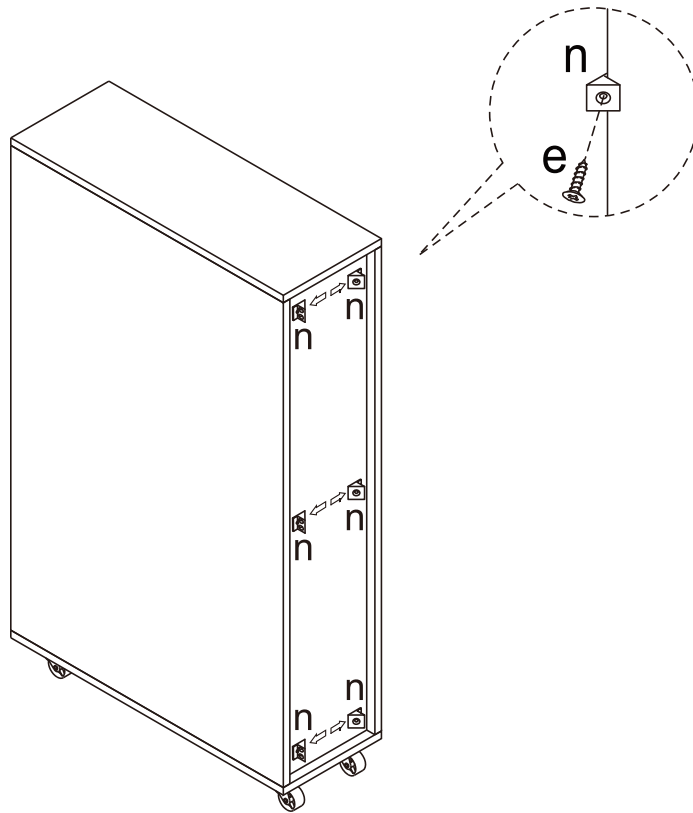
Made in China
Manufactured for Gill HK Limited BD4 9SW
www.gillhk.com

3 DRAWER DEEP CHEST UNIT

ITEM CODE: G-0586

Assembly Instruction

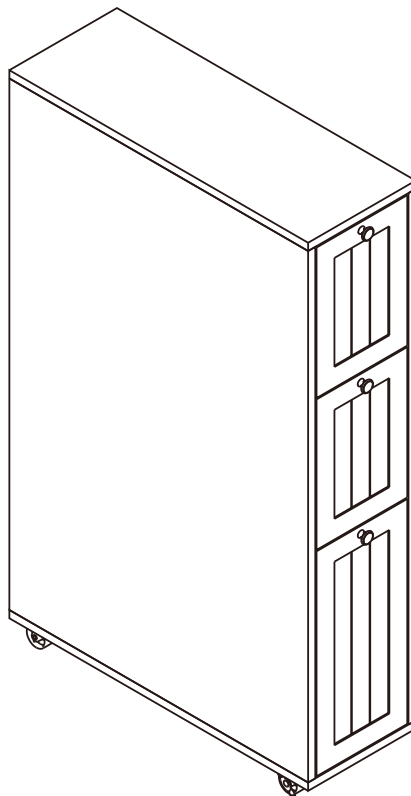
STEP 23



 X6

 X6

STEP 24



Max. Loading: 10kg

15 - 16

Made in China
Manufactured for Gill HK Limited BD4 9SW
www.gillhk.com

3 DRAWER DEEP CHEST UNIT

ITEM CODE: G-0586

Assembly Instruction



Safety Advice and Care Advice

KEEP ALL THE SAFETY ADVICE AND INSTRUCTIONS IN A SAFE PLACE FOR FUTURE REFERENCE!

⚠ WARNING! RISK OF LOSS OF LIFE OR ACCIDENT

TO INFANTS AND CHILDREN! Never leave children unsupervised with the packaging materials. Danger of suffocation.

⚠ CAUTION! RISK OF INJURY! Make sure that all parts are undamaged and assembled correctly. Improper assembly carries a risk of injury. Damaged parts may affect the safety and function of the product.

- Make sure that this product is standing on a solid, level surface.

⚠ CAUTION! Do not leave children unsupervised! The product is not a climbing frame or a toy! Make sure that nobody, especially a child, climbs on or leans against the product.

- Distribute weight evenly across the product so that it cannot overturn.
- Do not load more than a total of 10kg onto the product, otherwise there is a risk of injury and/or damage to the product.
- Check that the product is stable before using it.
- Do not lift or move the product when it is loaded.
- Keep away from fire and inflammable objects.
- **Wipe clean with a damp cloth.**
- Make sure that all screws and fixings are secure before use.
- Do not place very hot or very cold items on the surface(s) unless adequately thick table mats are used.
- Please periodically check all fittings and re-tighten as necessary.
- Domestic use only.