

# SAXONY

## 2 DRAWER TALL BOY

ITEM CODE: G-0587

### Assembly Instruction

**1.0hr**

APPROXIMATE ASSEMBLY TIME

2 PEOPLE ASSEMBLY

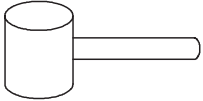


FLOOR AREA  
1Mx1M

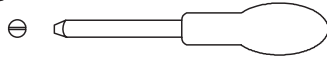


REQUIRED ASSEMBLY SPACE

#### REQUIRED ASSEMBLY TOOLS



SOFT RUBBER HAMMER(NOT PROVIDED)



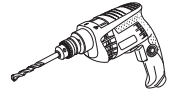
SLOTTED SCREWDRIVER(NOT PROVIDED)



POZI SCREWDRIVER(NOT PROVIDED)

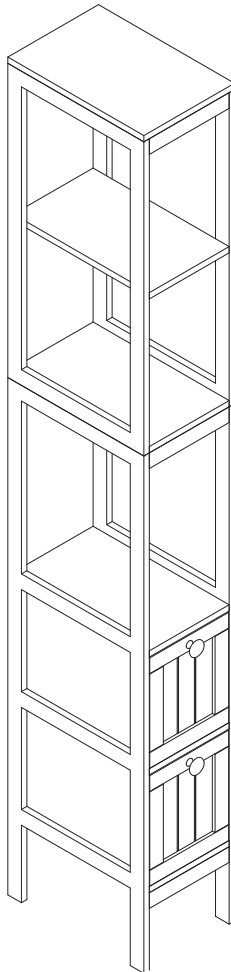


MEASURING TAPE(NOT PROVIDED)



ELECTRIC DRILL(NOT PROVIDED)

#### ASSEMBLED DIMENSIONS



Max. Loading: 16kg

1 - 11

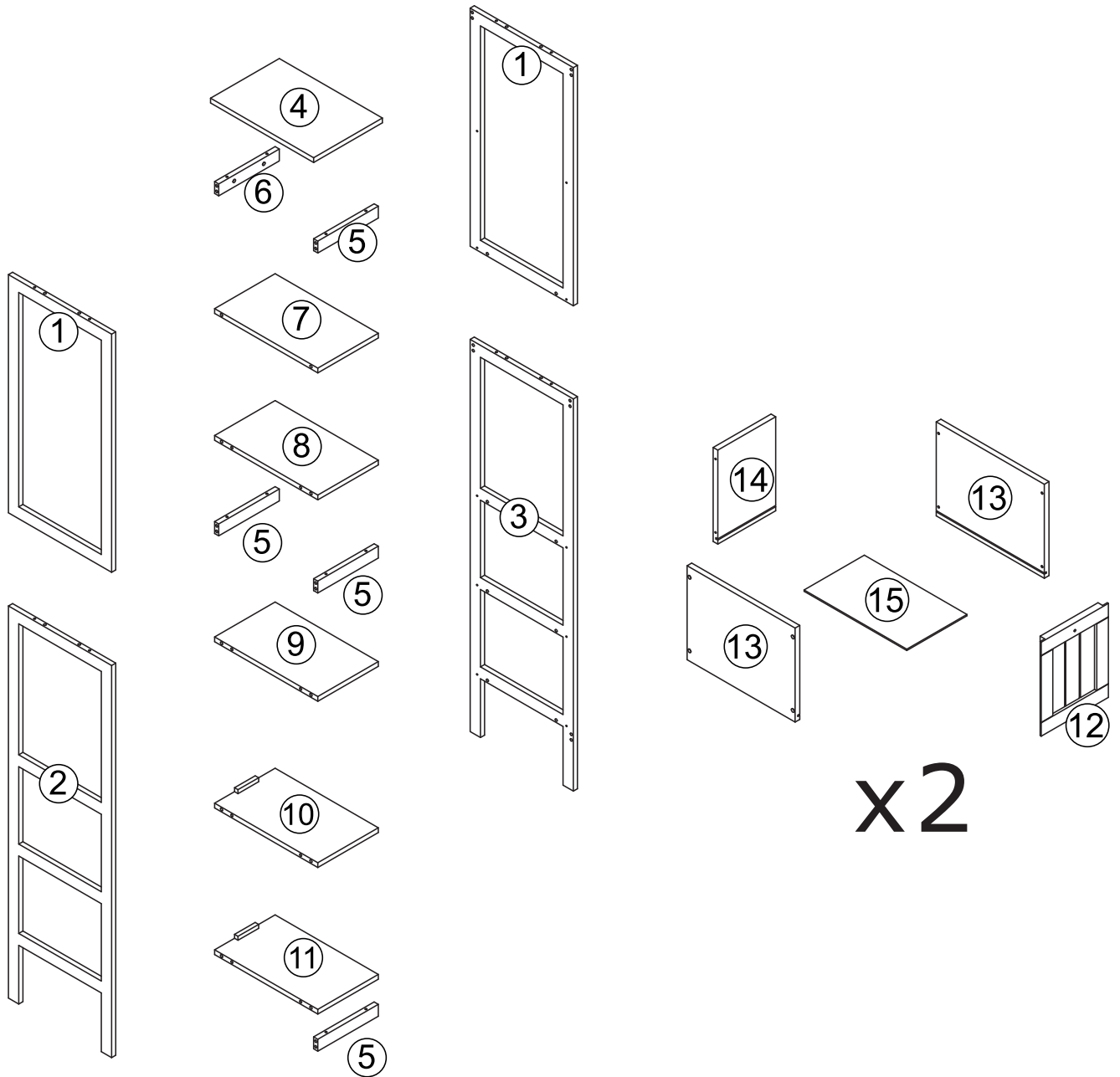
Made in China  
Manufactured for Gill HK Limited BD4 9SW  
[www.gillhk.com](http://www.gillhk.com)

# 2 DRAWER TALL BOY

ITEM CODE: G-0587

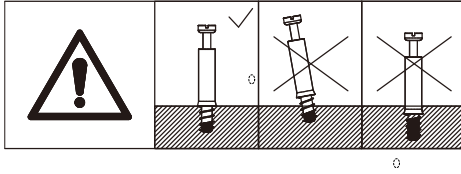
## Assembly Instruction

### PART LIST

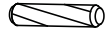


x2

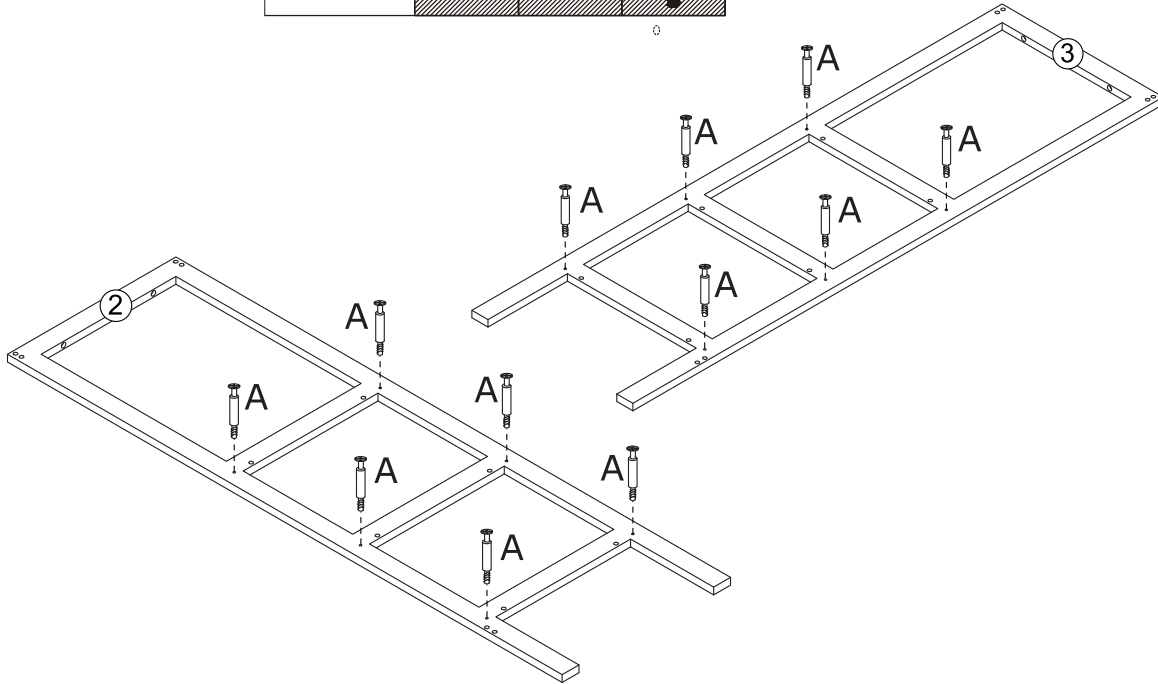
# STEP 1



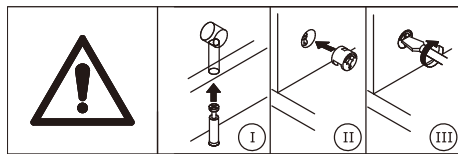
C x 2



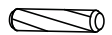
E x 2



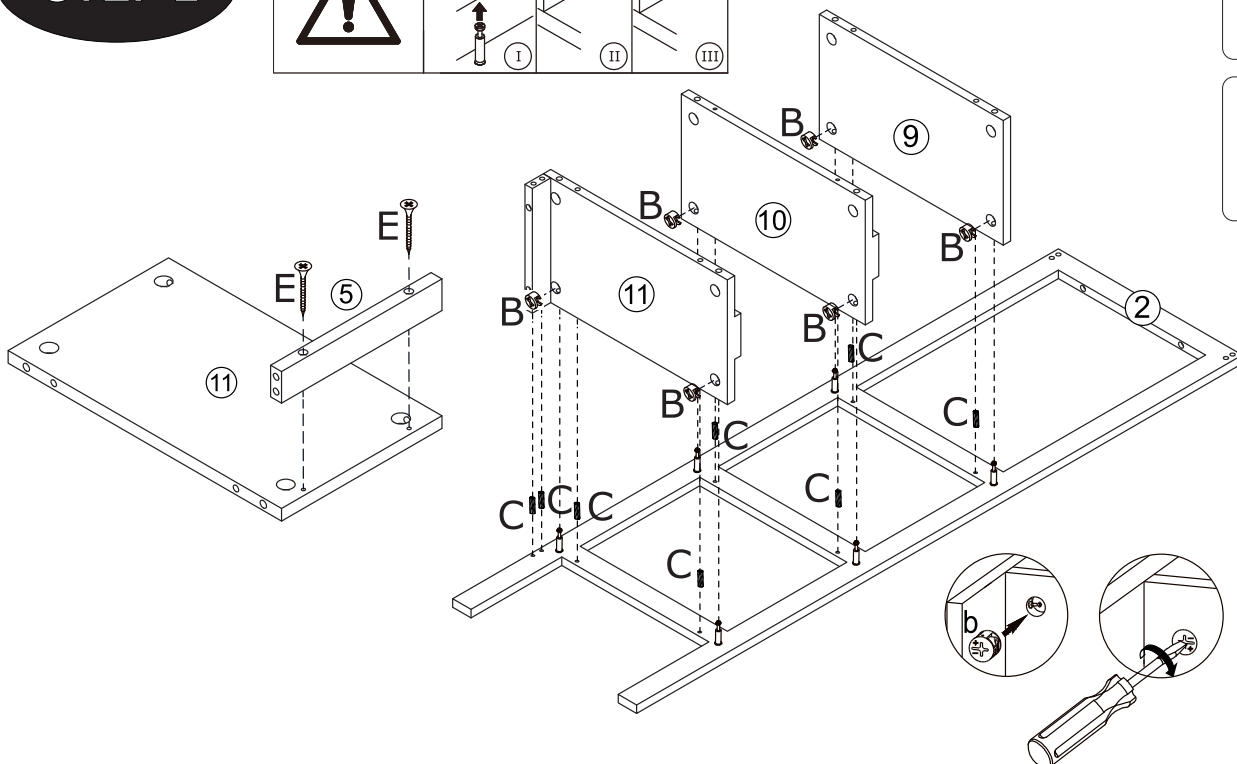
# STEP 2



C x 5



E x 4



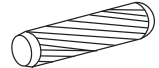




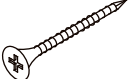
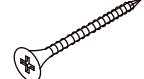
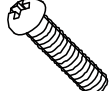

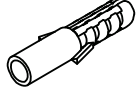
# 2 DRAWER TALL BOY

ITEM CODE: G-0587

## Assembly Instruction

### HARDWARE LIST

A	x20	B	x20	C	x44	D	x16	E	x14
									
Φ6x35mm		Φ15x9mm		Φ6x20mm		Φ3x25mm		Φ4x35mm	

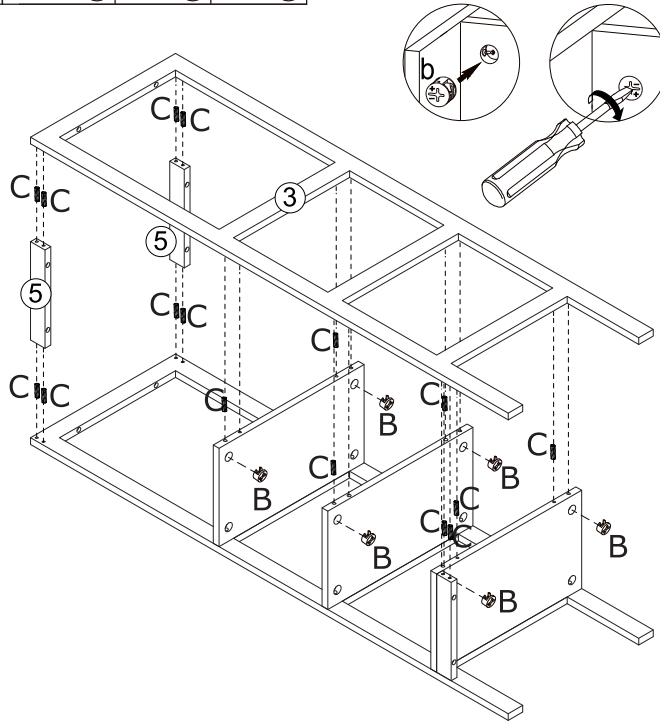
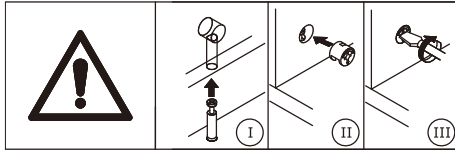
F	x2	G	x4	H	x2	I	x1	J	x2
									
Φ4x40mm		Φ4x50mm		Φ4x16mm					

# 2 DRAWER TALL BOY

ITEM CODE: G-0587

## Assembly Instruction

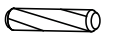
### STEP 3



A x 2

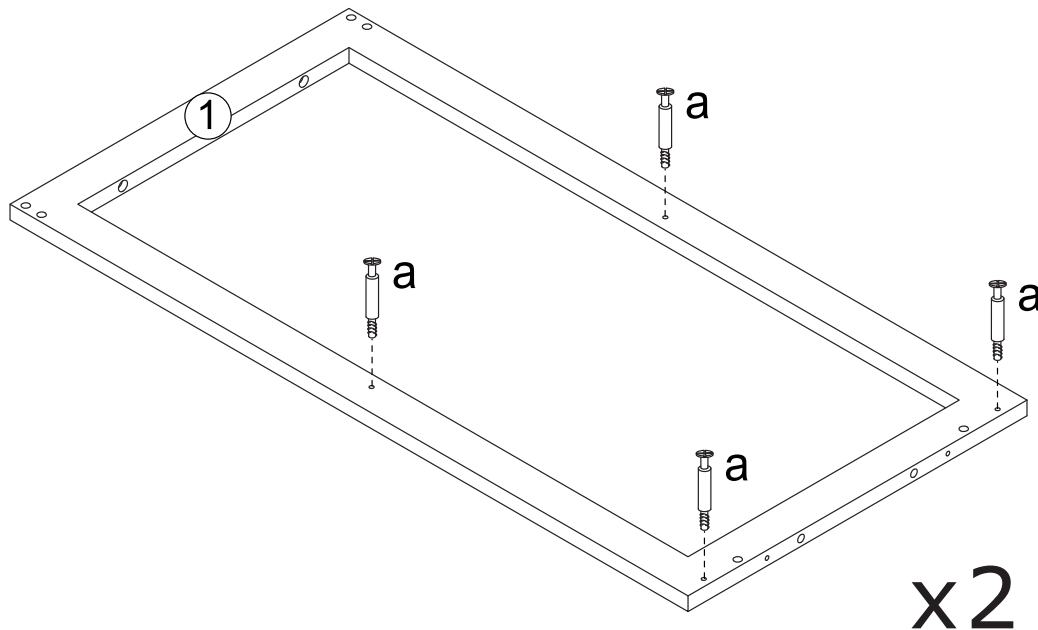
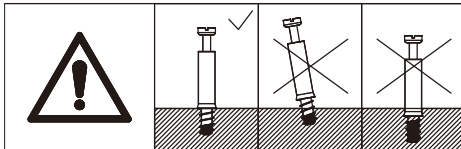


B x 2



E x 2

### STEP 4



C x 6



D x 2



F x 6



N x 1

x2

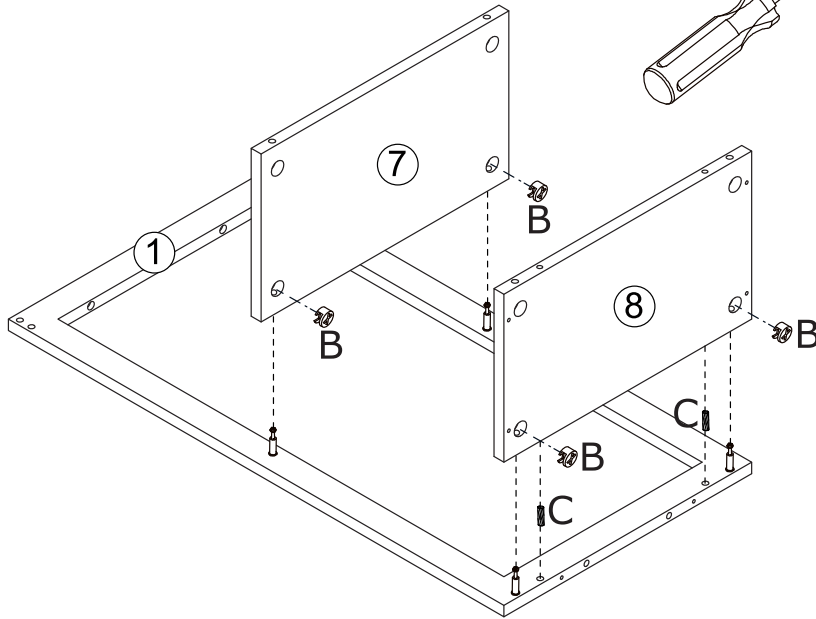
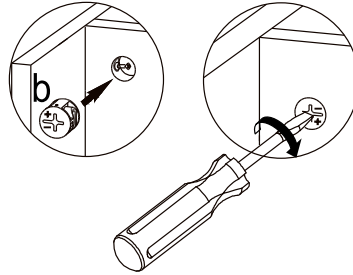
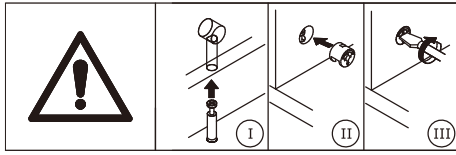
Max. Loading: 16kg

# 2 DRAWER TALL BOY

ITEM CODE: G-0587

## Assembly Instruction

### STEP 5



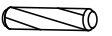
A x 1



B x 1

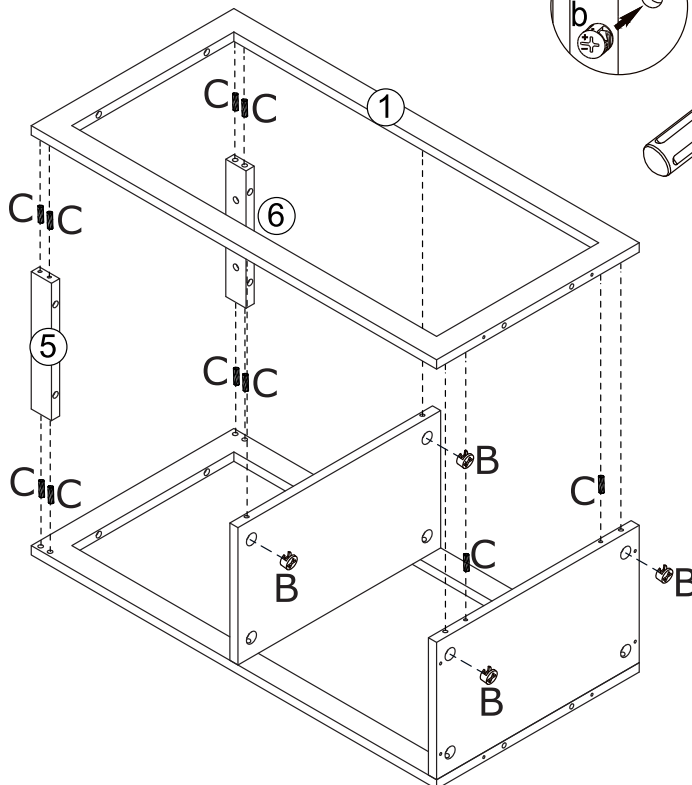
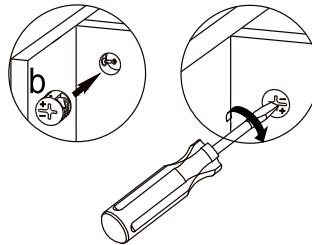


C x 4

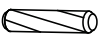


E x 6

### STEP 6



C x 7



E x 6

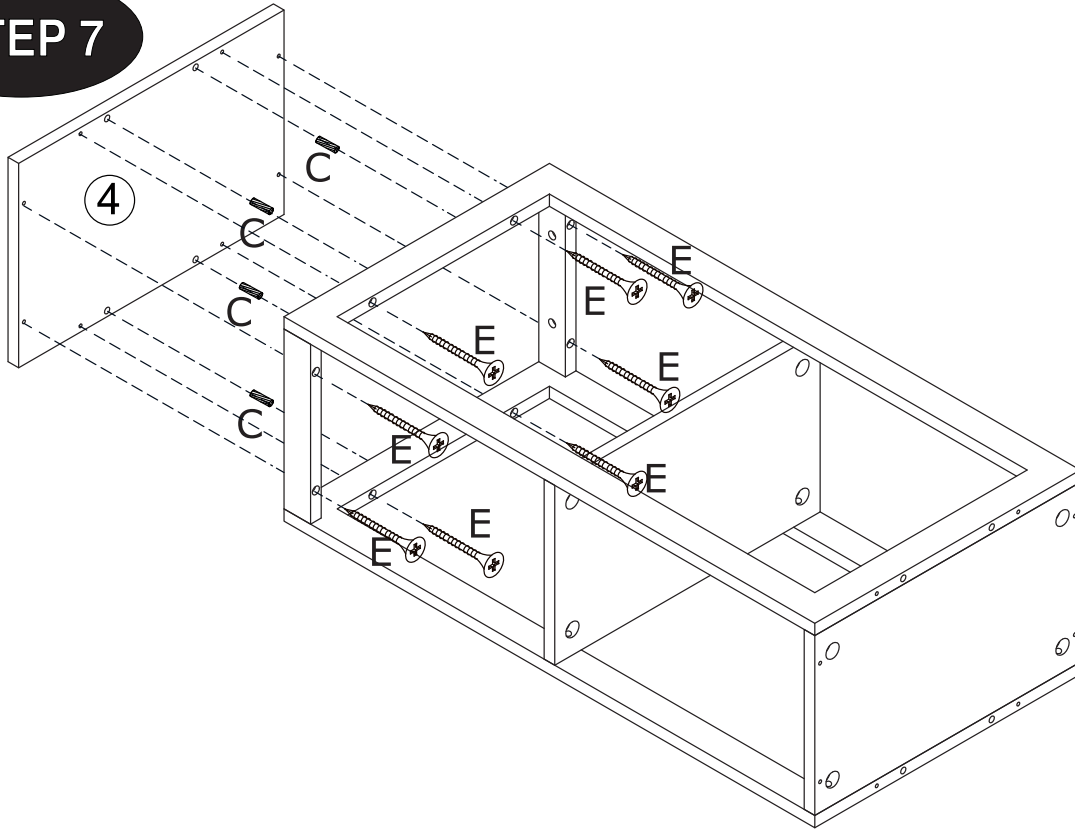
Max. Loading: 16kg

# 2 DRAWER TALL BOY

ITEM CODE: G-0587

## Assembly Instruction

### STEP 7



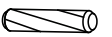
A x 6



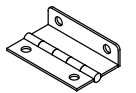
B x 6



D x 4

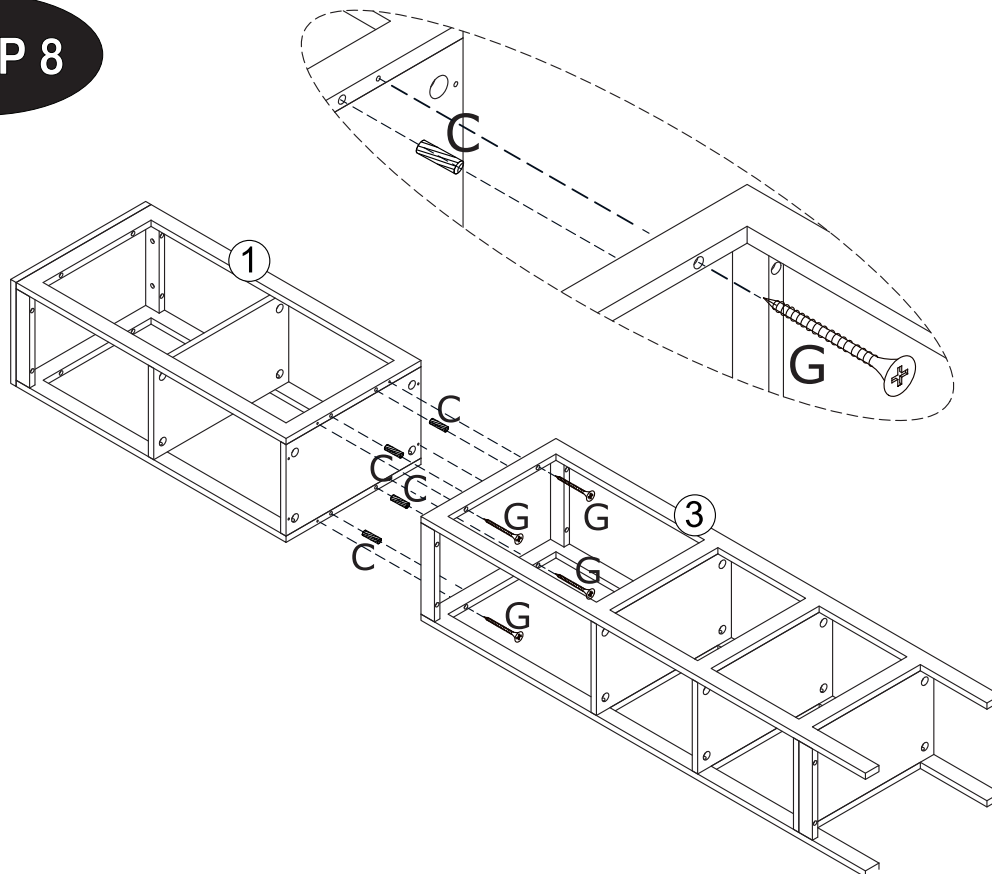


E x 4



J x 2

### STEP 8



A x 6



B x 6

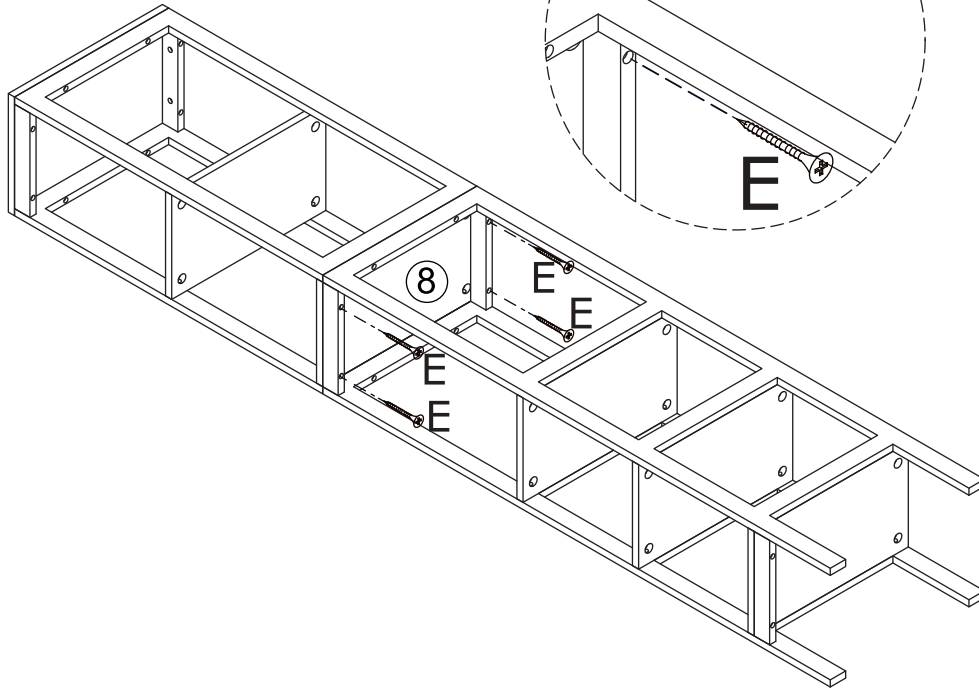
Max. Loading: 16kg

# 2 DRAWER TALL BOY

ITEM CODE: G-0587

## Assembly Instruction

### STEP 9



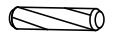
A x 6



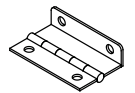
B x 6



D x 4

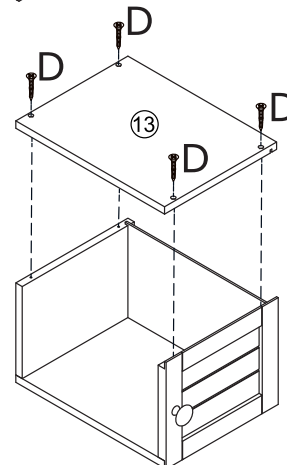
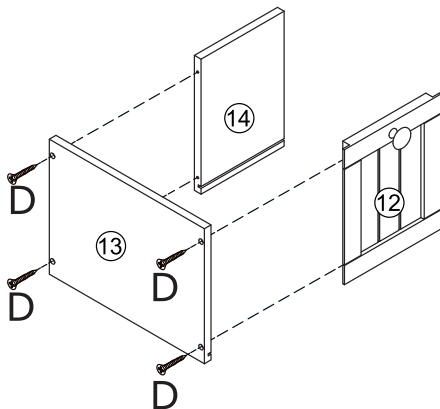
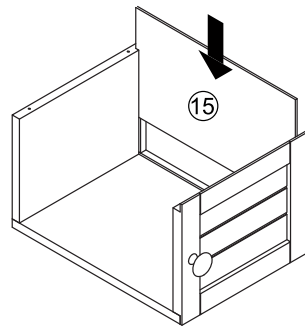
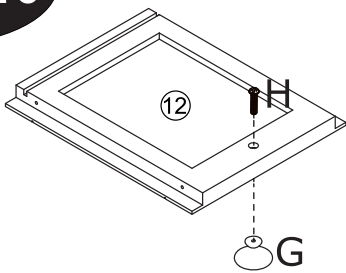


E x 4



J x 2

### STEP 10



A x 6



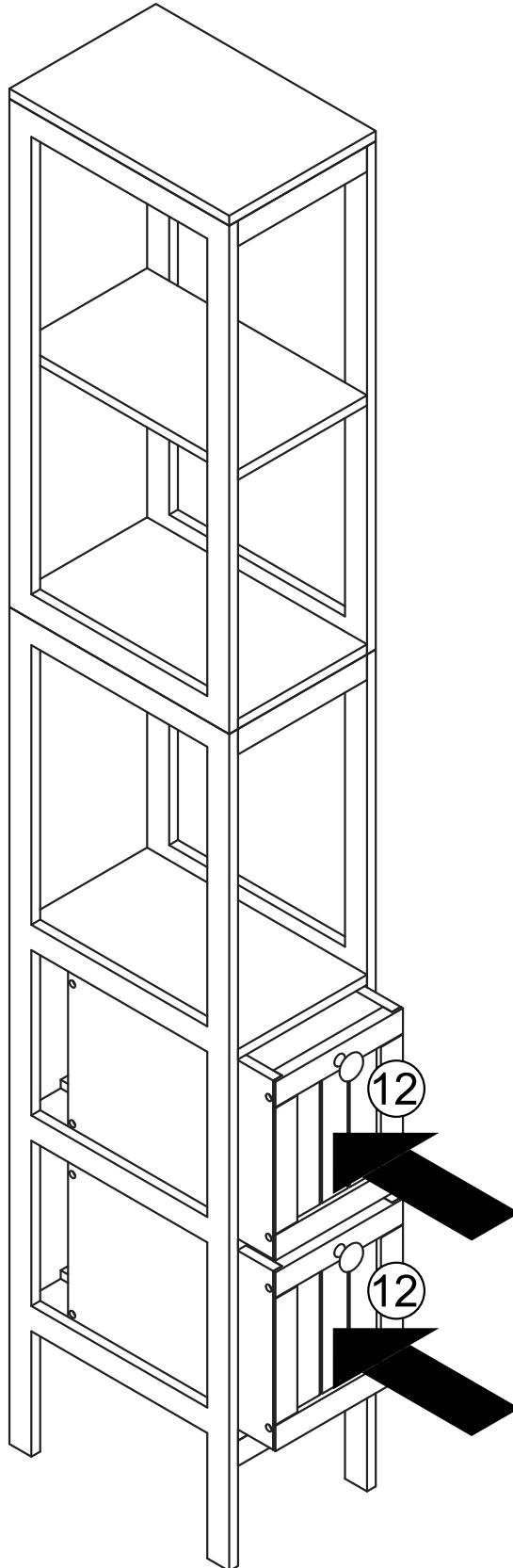
B x 6

# 2 DRAWER TALL BOY

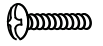
ITEM CODE: G-0587

## Assembly Instruction

**STEP 10**



D x 4



H x 1



I x 1



N x 1



O x 2

# 2 DRAWER TALL BOY

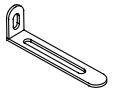
ITEM CODE: G-0587

## Assembly Instruction

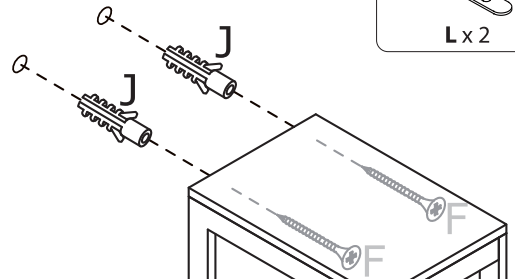
### STEP 11



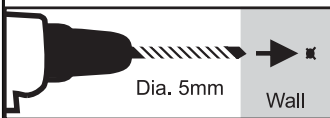
K x 2



L x 2

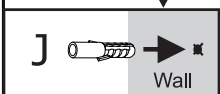


WALL



Dia. 5mm

Wall



Wall

WARNING: Anti-tipping hardware is only a deterrent. It is not a substitute for proper adult supervision. Young children be injured by tipping furniture and the use of a tipping restraint is highly recommended.

This hardware, when properly installed, could provide protection against the unexpected tipping of furniture due to improper use.

Please ensure the anti-tipping hardware provided is suitable for your wall or else, it might damage your wall during installation

Max. Loading: 16kg

10 - 11

Made in China  
Manufactured for Gill HK Limited BD4 9SW  
www.gillhk.com

# 2 DRAWER TALL BOY

ITEM CODE: G-0587

## Assembly Instruction



### Safety Advice and Care Advice

KEEP ALL THE SAFETY ADVICE AND INSTRUCTIONS IN A SAFE PLACE FOR FUTURE REFERENCE!

**⚠ WARNING! RISK OF LOSS OF LIFE OR ACCIDENT**

**TO INFANTS AND CHILDREN!** Never leave children unsupervised with the packaging materials. Danger of suffocation.

**⚠ CAUTION! RISK OF INJURY!** Make sure that all parts are undamaged and assembled correctly. Improper assembly carries a risk of injury. Damaged parts may affect the safety and function of the product.

- Make sure that this product is standing on a solid, level surface.

**⚠ CAUTION!** Do not leave children unsupervised! The product is not a climbing frame or a toy! Make sure that nobody, especially a child, climbs on or leans against the product.

- Distribute weight evenly across the product so that it cannot overturn.
- Do not load more than a total of 16kg onto the product, otherwise there is a risk of injury and/or damage to the product.
- Check that the product is stable before using it.
- Do not lift or move the product when it is loaded.
- Keep away from fire and inflammable objects.
- **Wipe clean with a damp cloth.**
- Make sure that all screws and fixings are secure before use.
- Do not place very hot or very cold items on the surface(s) unless adequately thick table mats are used.
- Please periodically check all fittings and re-tighten as necessary.
- Domestic use only.