

**100cm Floating Shelf**  
**ITEM CODE: G-0597/G-0598**  
**Assembly Instructions**

**15 mins**

APPROXIMATE ASSEMBLY TIME

1 PERSON ASSEMBLY

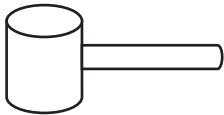


FLOOR AREA  
1Mx1M



REQUIRED ASSEMBLY SPACE

REQUIRED ASSEMBLY TOOLS



SOFT RUBBER HAMMER (NOT PROVIDED)



POZI SCREWDRIVER (NOT PROVIDED)

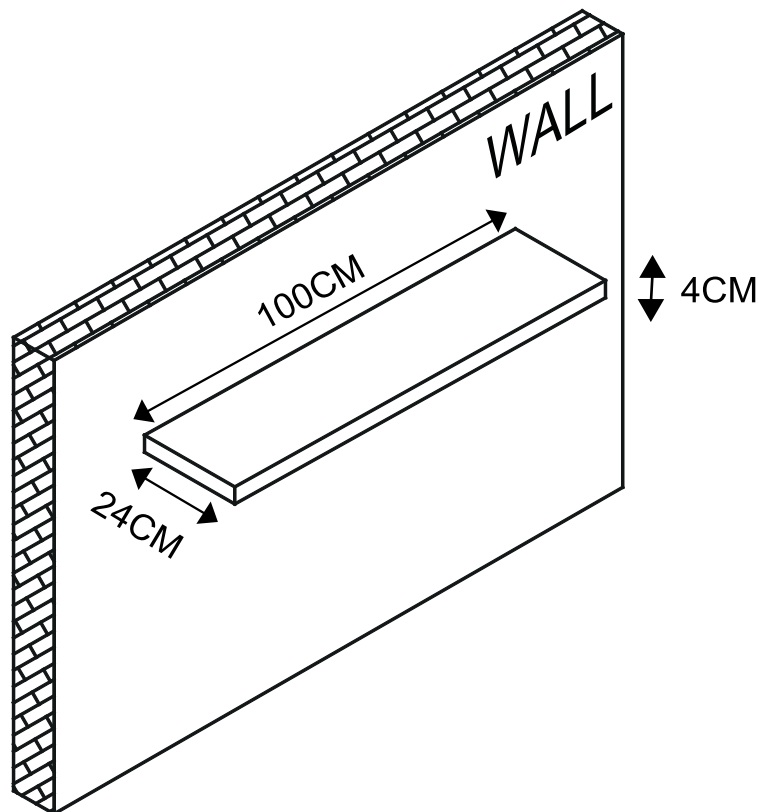


ELECTRICE DRILL (NOT PROVIDED)



LEVEL RULER (NOT PROVIDED)

ASSEMBLED DIMENSIONS



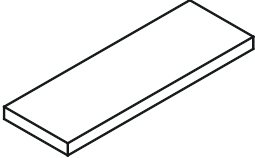
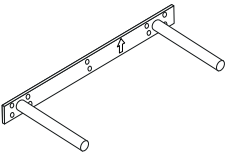
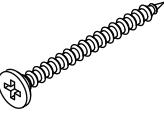
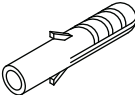
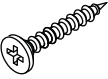
Max. Loading: 5kg

1 - 5

Made in China  
 Manufactured for Gill HK Limited BD4 9SW  
[www.gillhk.com](http://www.gillhk.com)

**MODEL NAME:**  
**100cm Floating Shelf**  
**ITEM CODE: G-0597/G-0598**

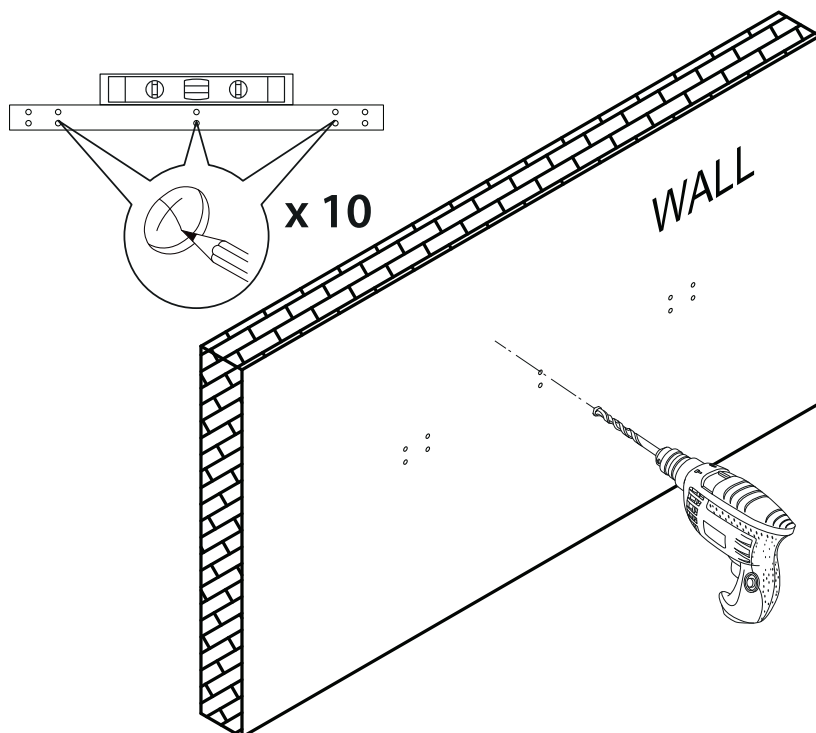
**PART LIST**

<b>A</b>	<b>x 1</b>	<b>a</b>	<b>x 1</b>	<b>b</b>	<b>x 10</b>	<b>c</b>	<b>x 10</b>	<b>d</b>	<b>x 2</b>
				 M4 x 35mm				 M4 x 20mm	

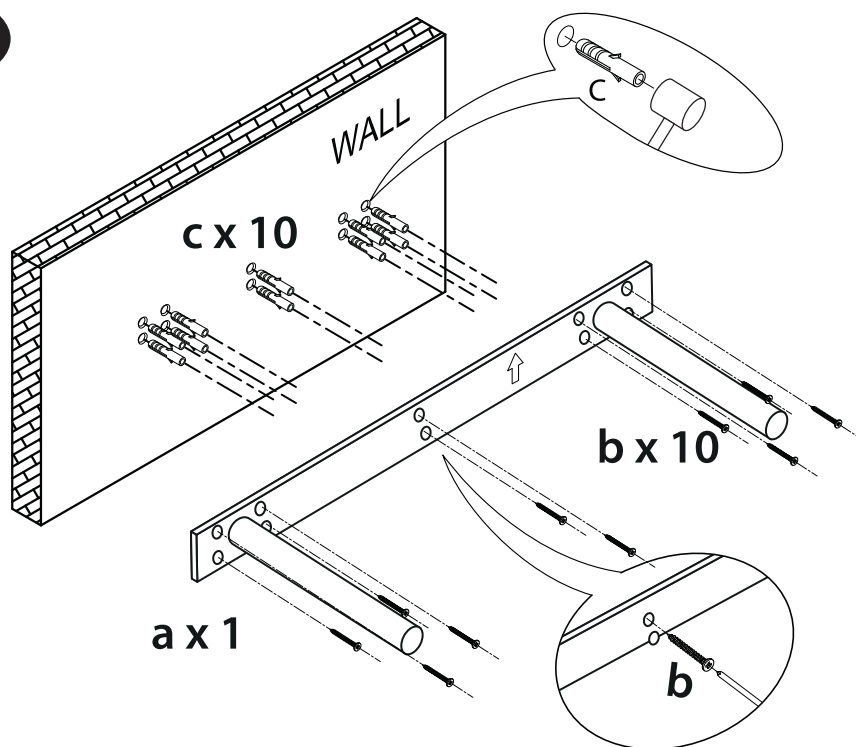
**Max. Loading: 5kg**

MODEL NAME:  
100cm Floating Shelf  
ITEM CODE: G-0597/G-0598

STEP 1



STEP 2



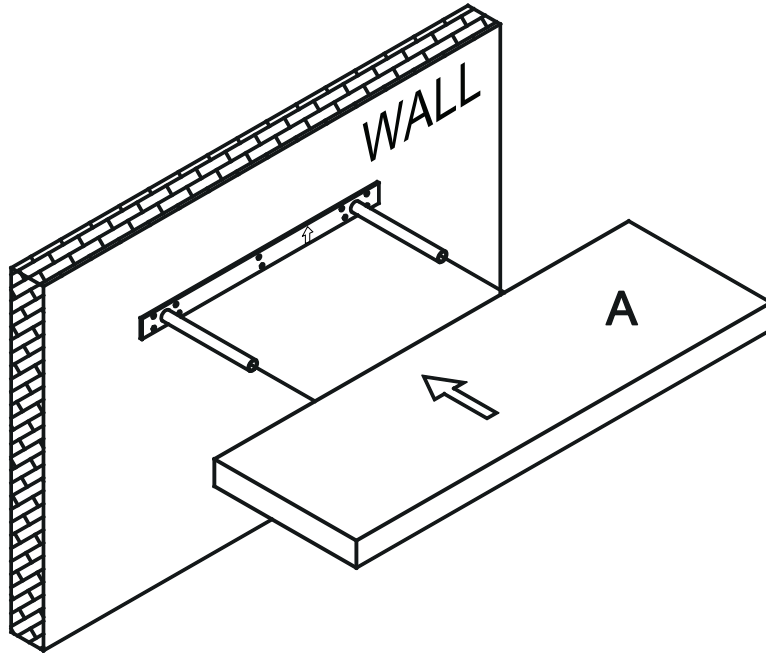
Max. Loading: 5kg

3 - 5

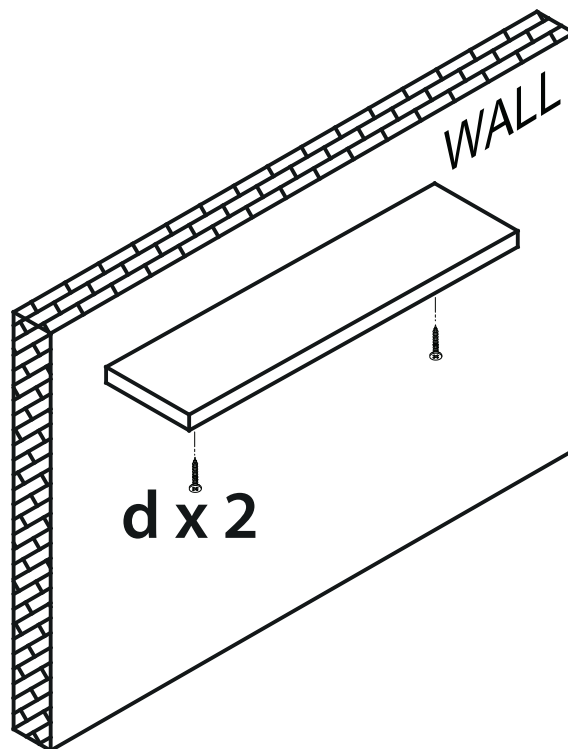
Made in China  
Manufactured for Gill HK Limited BD4 9SW  
www.gillhk.com

MODEL NAME:  
**100cm Floating Shelf**  
ITEM CODE: G-0597/G-0598

**STEP 3**



**STEP 4**



Max. Loading: 5kg

4 - 5

Made in China  
Manufactured for Gill HK Limited BD4 9SW  
[www.gillhk.com](http://www.gillhk.com)

**MODEL NAME:**  
**100cm Floating Shelf**  
**ITEM CODE: G-0597/G-0598**



**Safety Advice and Care Advice**

KEEP ALL THE SAFETY ADVICE AND INSTRUCTIONS IN A SAFE PLACE FOR FUTURE REFERENCE!

**⚠ WARNING! RISK OF LOSS OF LIFE OR ACCIDENT**

**TO INFANTS AND CHILDREN!** Never leave children unsupervised with the packaging materials. Danger of suffocation.

**⚠ CAUTION! RISK OF INJURY!** Make sure that all parts are undamaged and assembled correctly. Improper assembly carries a risk of injury. Damaged parts may affect the safety and function of the product.

- Make sure that this product is standing on a solid, level surface.

**⚠ CAUTION!** Do not leave children unsupervised! The product is not a climbing frame or a toy! Make sure that nobody, especially a child, climbs on or leans against the product.

- Distribute weight evenly across the product so that it cannot overturn.
- Do not load more than a total of 5kg onto the product, otherwise there is a risk of injury and/or damage to the product.
- Check that the product is stable before using it.
- Do not lift or move the product when it is loaded.
- Keep away from fire and inflammable objects.
- **Wipe clean with a damp cloth.**
- Make sure that all screws and fixings are secure before use.
- Do not place very hot or very cold items on the surface(s) unless adequately thick table mats are used.
- Please periodically check all fittings and re-tighten as necessary.
- Domestic use only.